



US00D938594S

(12) **United States Design Patent**
Iwakura et al.

(10) **Patent No.:** **US D938,594 S**
(45) **Date of Patent:** **** Dec. 14, 2021**

(54) **EARPHONE**

(71) Applicant: **RION CO., LTD.**, Tokyo (JP)

(72) Inventors: **Takashi Iwakura**, Tokyo (JP); **Kyoji Yoshikawa**, Tokyo (JP)

(73) Assignee: **RION CO., LTD.**

(**) Term: **15 Years**

(21) Appl. No.: **29/705,393**

(22) Filed: **Sep. 11, 2019**

(30) **Foreign Application Priority Data**

Mar. 13, 2019 (JP) 2019-005301
Mar. 13, 2019 (JP) 2019-005303

(51) **LOC (13) Cl.** **24-99**

(52) **U.S. Cl.**
USPC **D24/174; D14/223**

(58) **Field of Classification Search**
USPC ... D14/205, 207, 217, 221, 223, 224, 224.1,
D14/225, 216; D24/173, 174
(Continued)

(56) **References Cited**

U.S. PATENT DOCUMENTS

D137,091 S * 1/1944 Smith D24/106
D215,217 S * 9/1969 Noyes D14/205
(Continued)

FOREIGN PATENT DOCUMENTS

CN 305627635 * 2/2020
CN 305827890 * 6/2020
(Continued)

OTHER PUBLICATIONS

JBL C100SI In-Ear Deep Bass Headphones With Mic, announced ©
2021 [online], rtrieved May 20, 2021, retrieved from internet,

<https://www.salistic.com/en/electronics/82-jbl-c100si-in-ear-deep-bass-headphones-with-mic-black.html>*

(Continued)

Primary Examiner — Dana K Weiland
Assistant Examiner — Messina L Smith

(74) *Attorney, Agent, or Firm* — Ware, Fressola, Maguire & Barber LLP

(57) **CLAIM**

We claim the ornamental design for an earphone, as shown and described.

DESCRIPTION

FIG. 1 is a front elevational view of an earphone showing our new design;
FIG. 2 is a rear elevational view thereof;
FIG. 3 is a left side elevational view thereof;
FIG. 4 is a right side elevational view thereof;
FIG. 5 is a top plan view thereof;
FIG. 6 is a bottom plan view thereof;
FIG. 7 is a front left side perspective view thereof;
FIG. 8 is a front right side perspective view thereof;
FIG. 9 is a top left side perspective view thereof;
FIG. 10 is a bottom right side perspective view thereof;
FIG. 11 is a front perspective view thereof;
FIG. 12 is a rear perspective view thereof;
FIG. 13 is a front elevation view of the earphone shown with the plug adaptor in an alternative environment of use;
FIG. 14 is a rear elevation view thereof;
FIG. 15 is a left side perspective view thereof;
FIG. 16 is a right side perspective view thereof;
FIG. 17 is a top perspective view thereof;
FIG. 18 is a bottom perspective view thereof;
FIG. 19 is a front perspective view thereof;
FIG. 20 is a rear perspective view thereof;
FIG. 21 is a bottom left side perspective view thereof;
FIG. 22 is a top right side perspective view thereof;
FIG. 23 is a front top perspective view thereof;
FIG. 24 is a rear bottom perspective view thereof;
FIG. 25 is a front elevation view of the earphone shown with a hearing aid on the plug adaptor in another alternate environment of use;

(Continued)

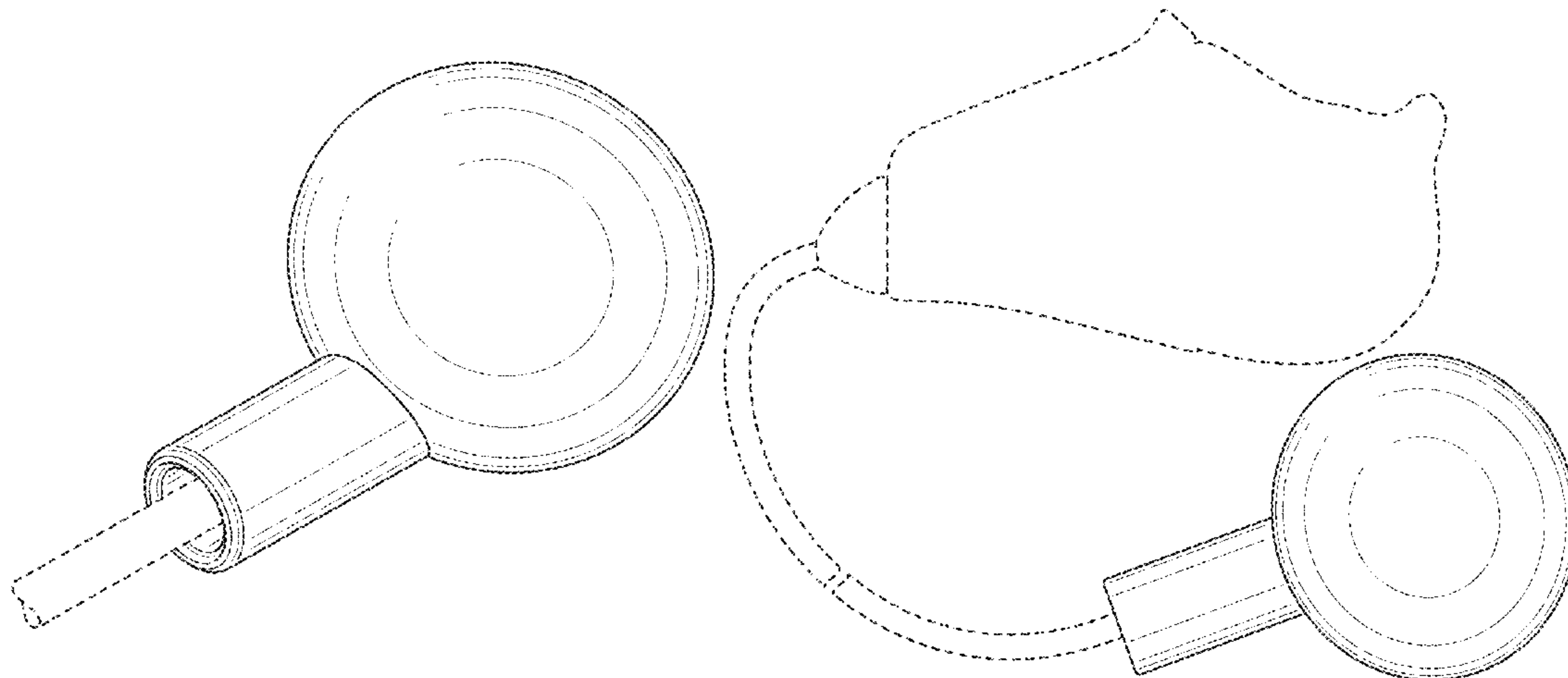


FIG. 26 is a rear elevation view thereof;
 FIG. 27 is a left side perspective view thereof;
 FIG. 28 is a right side perspective view thereof;
 FIG. 29 is a top perspective view thereof; and,
 FIG. 30 is a bottom perspective view thereof.
 The broken lines depicting the wire in FIGS. 1-3, and 5-30,
 plug adaptor in FIGS. 13-24, and hearing aid in FIGS. 25-30
 have been shown for the purpose of illustrating environment
 that forms no part of the claimed design.

1 Claim, 15 Drawing Sheets

(58) Field of Classification Search

CPC H04R 1/10; H04R 1/1016; H04R 1/1066;
 H04R 1/1033; H04R 1/08; H04R 5/033;
 H04R 5/0335; H04R 25/00

See application file for complete search history.

(56) References Cited

U.S. PATENT DOCUMENTS

5,561,275	A *	10/1996	Savage	A61B 7/04
					181/131
6,056,082	A *	5/2000	Lindgren	A61F 11/12
					128/864
D512,982	S	12/2005	Rodarte		
D633,086	S *	2/2011	Chen	D14/223
D633,902	S *	3/2011	Tokuno	D14/244
D664,523	S *	7/2012	Naitou	D14/223
D735,131	S *	7/2015	Akana	D13/108
D842,277	S	3/2019	Lee		
D848,979	S *	5/2019	Kim	D14/223
D848,981	S *	5/2019	Kim	D14/223
D888,009	S *	6/2020	Ying	D14/205
D895,577	S *	9/2020	Smith	D14/223

D907,606	S *	1/2021	Lin	D14/223
D909,342	S *	2/2021	Herndon	D14/217
2011/0051978	A1 *	3/2011	Chen	H04R 1/12
					381/380
2021/0029477	A1 *	1/2021	Yoshikawa	H04R 1/1016

FOREIGN PATENT DOCUMENTS

CN	305927952	*	7/2020
JP	467561		8/1977
JP	1385169		4/2010
JP	1510885		11/2014
WO	D098050-001	*	6/2017

OTHER PUBLICATIONS

Digital BTE, no announcement date [online], rtrieved May 20, 2021, retrieved from internet, https://www.rion.co.jp/english/product/audiological/hearing_instruments/digital_bte/.*

Personal Digital 6 Channels Hearing Aids, announced Aug. 3, 2020 [online], rtrieved May 20, 2021, retrieved from internet, <https://www.amazon.com/Personal-Channels-Amplifier-Microphone-Cancelling/dp/B08BYGXH88>.*

Candy Round Earbuds, announced © 2019 [online], rtrieved May 20, 2021, retrieved from internet, https://www.brilliantpromos.com/ap/Candy-Round-Earbuds-5958980?gclid=Cj0KCQjwkZiFBhD9ARIsAGxFX8CZGTvCMbFGZYTXRnlHv9wxXAqvOmy3cJJ3rlku riBA9Wmfgi4zuiQaAkwcEALw_wcB.*

U.S. Appl. No. 29/705,397, filed Sep. 11, 2019, Iwakura.

INAIR Ergonomics Ear Speaker flyer, p. 1, received by the National Center for Industrial Property Information and Training (INPIT) on Nov. 17, 2017.

Domus Monthly Review of Architecure Interiors Design Art, No. 752 (Sep. 30, 1993) p. 185, Editoriale Domus Spa, Rozzano, Italy.

English translation of JP 1510885, 4 pages.

English translation of JP 1385169, 4 pages.

* cited by examiner

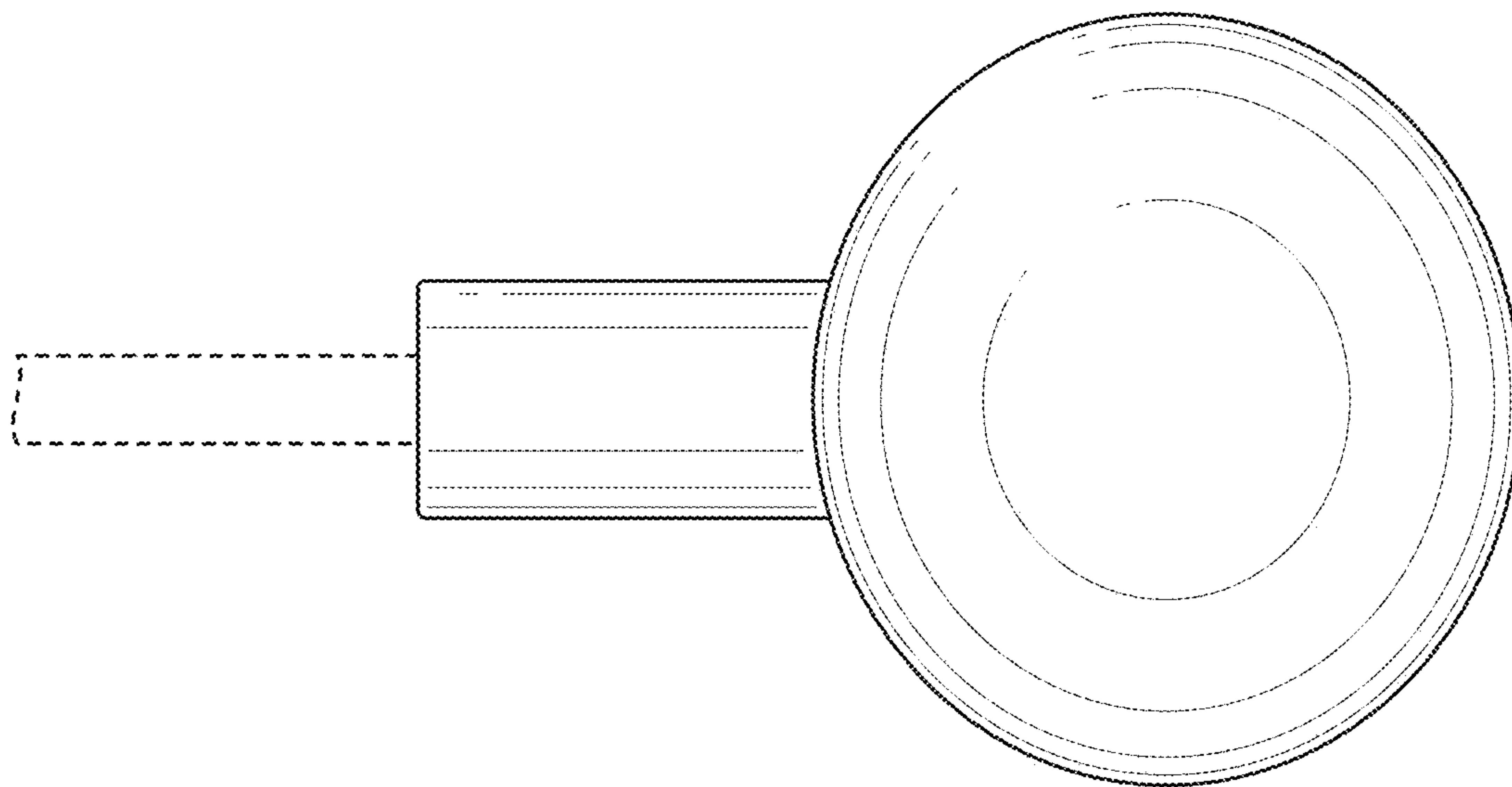


FIG. 1

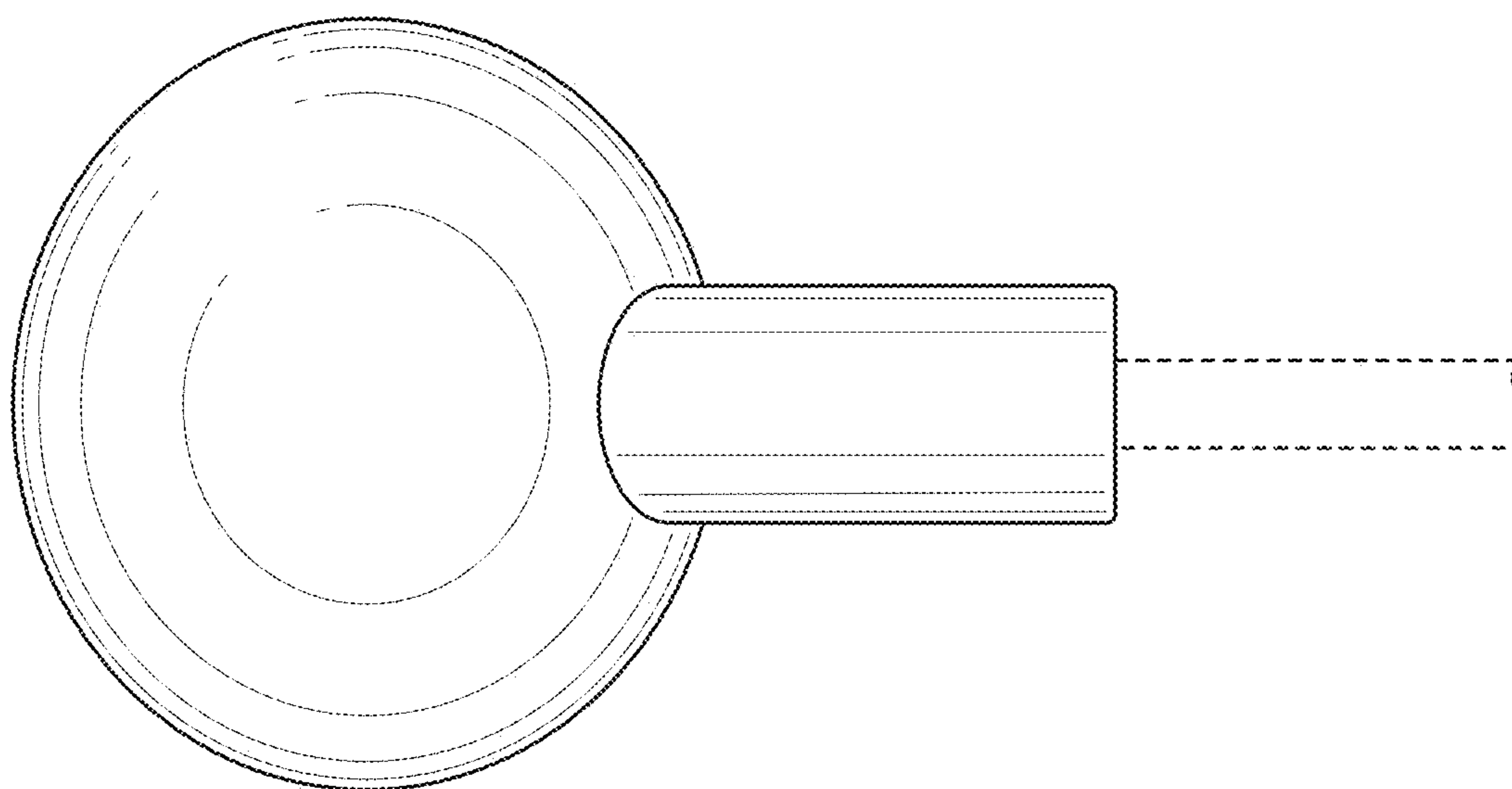


FIG. 2

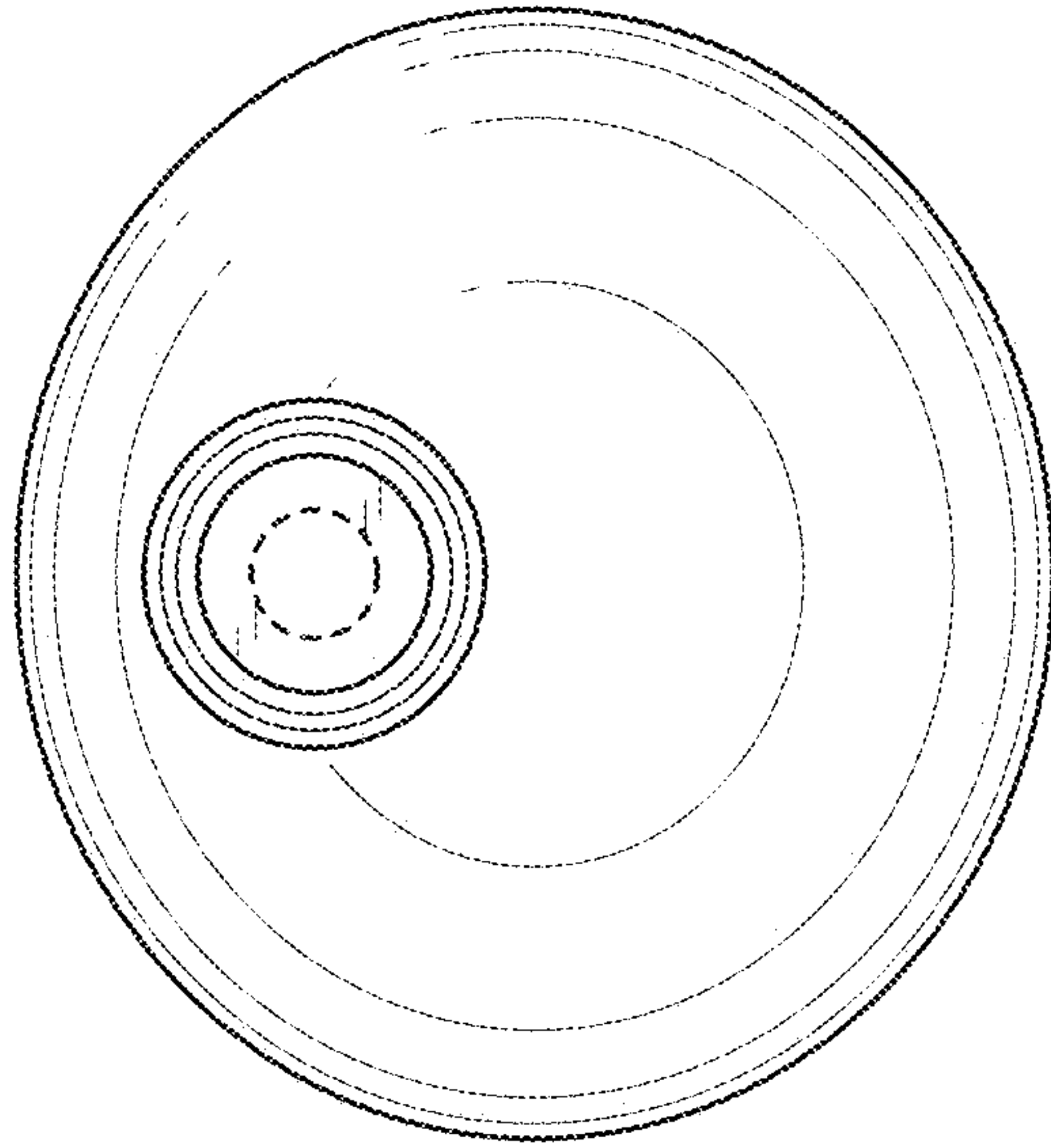


FIG. 3

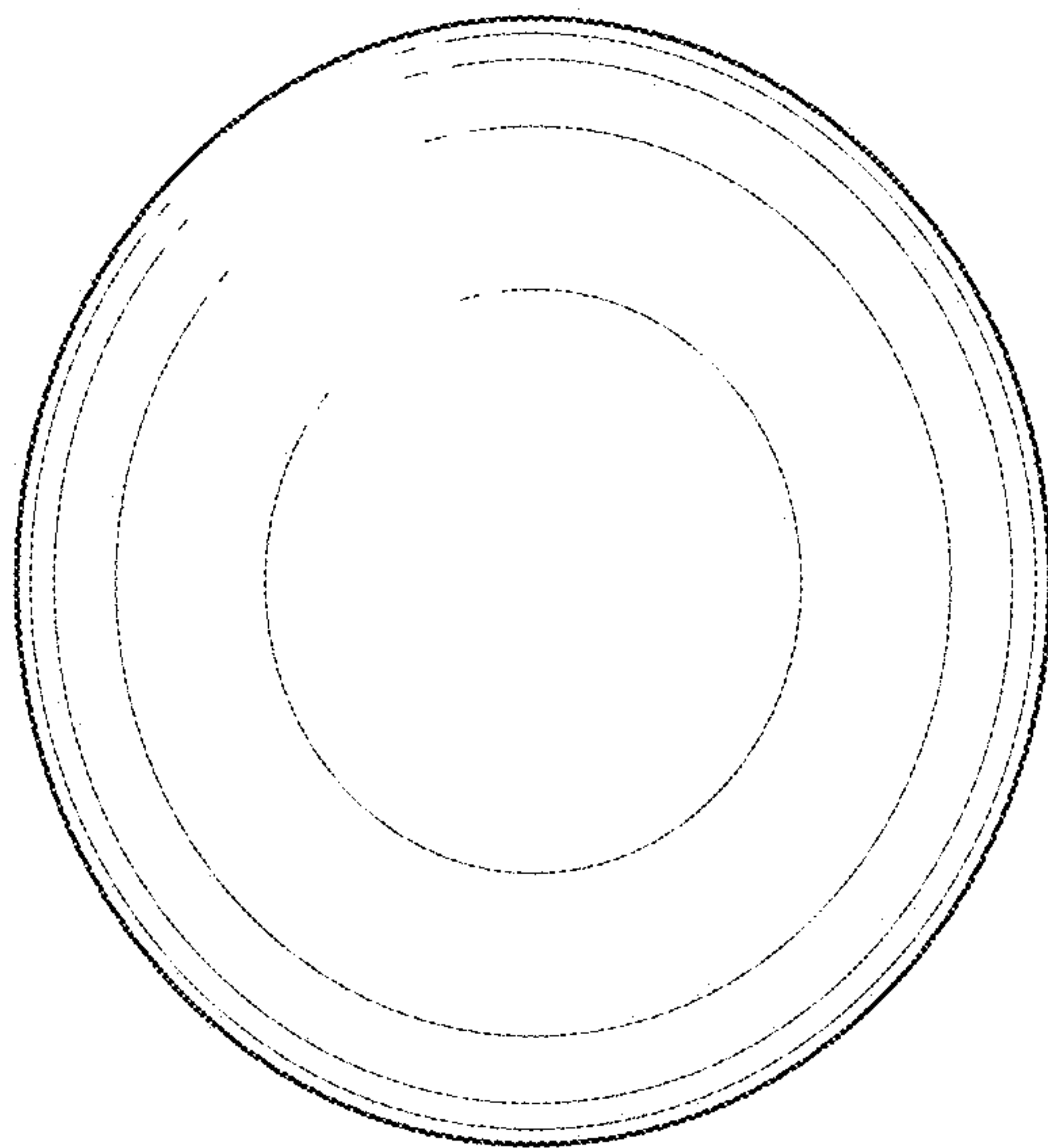


FIG. 4

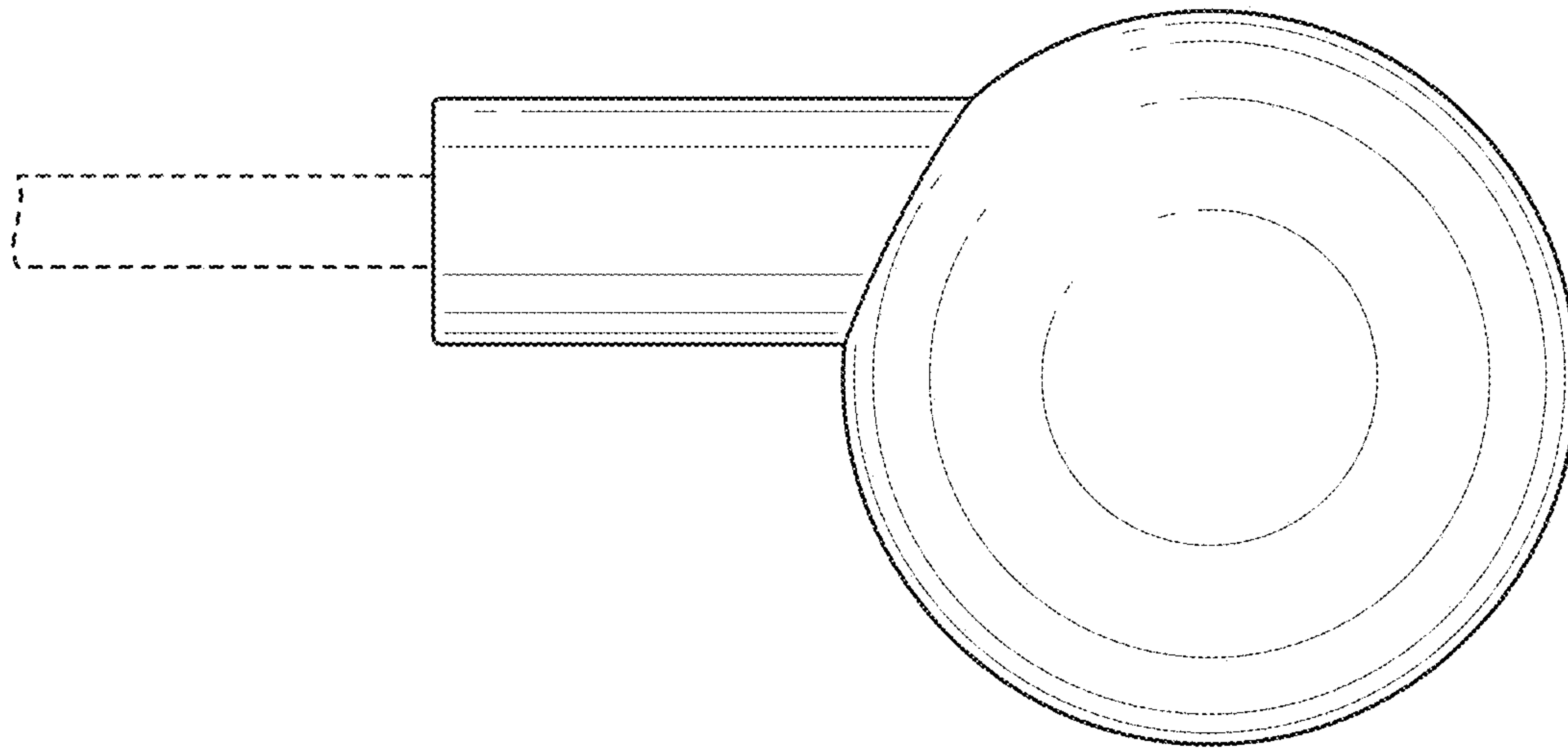


FIG. 5

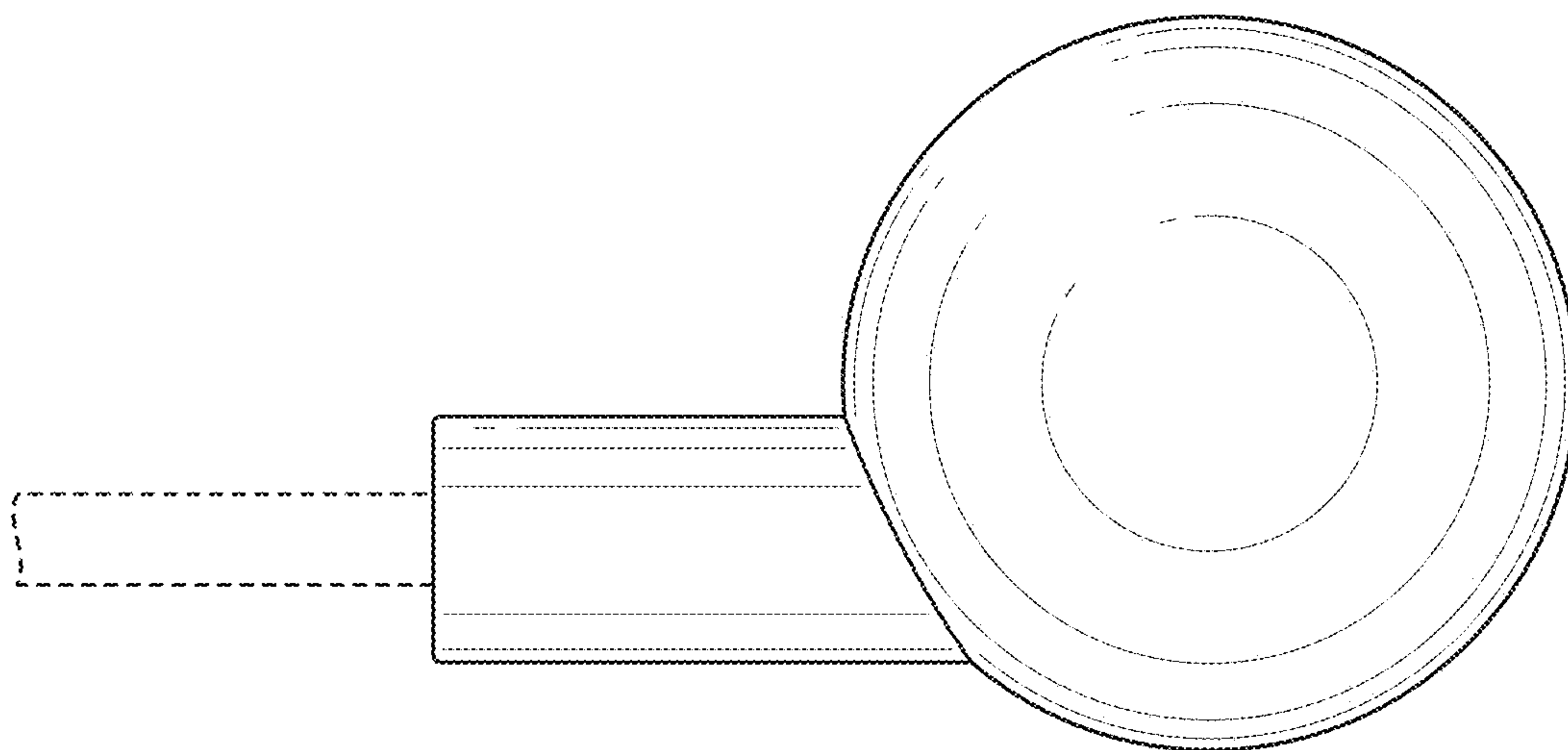


FIG. 6

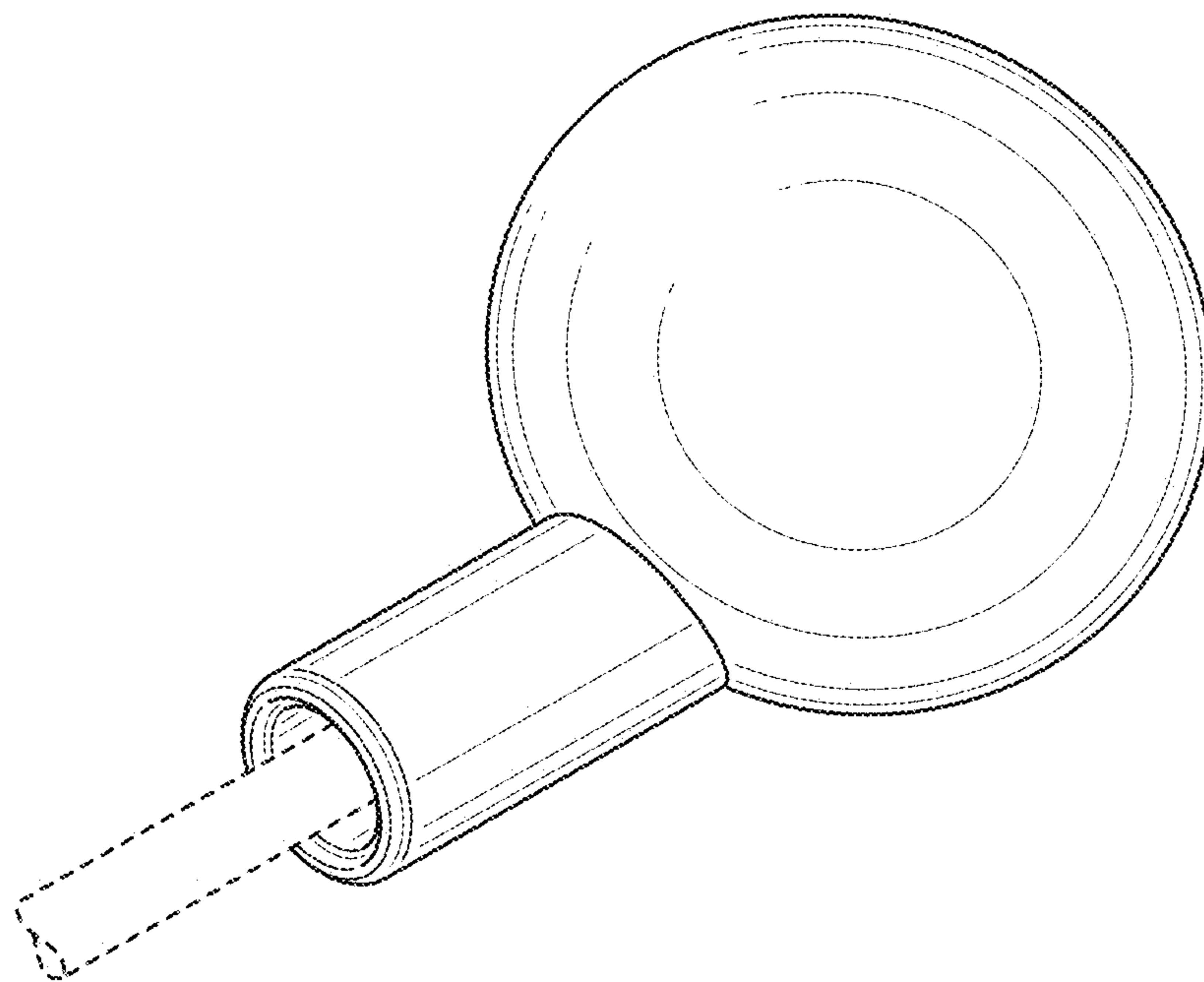


FIG. 7

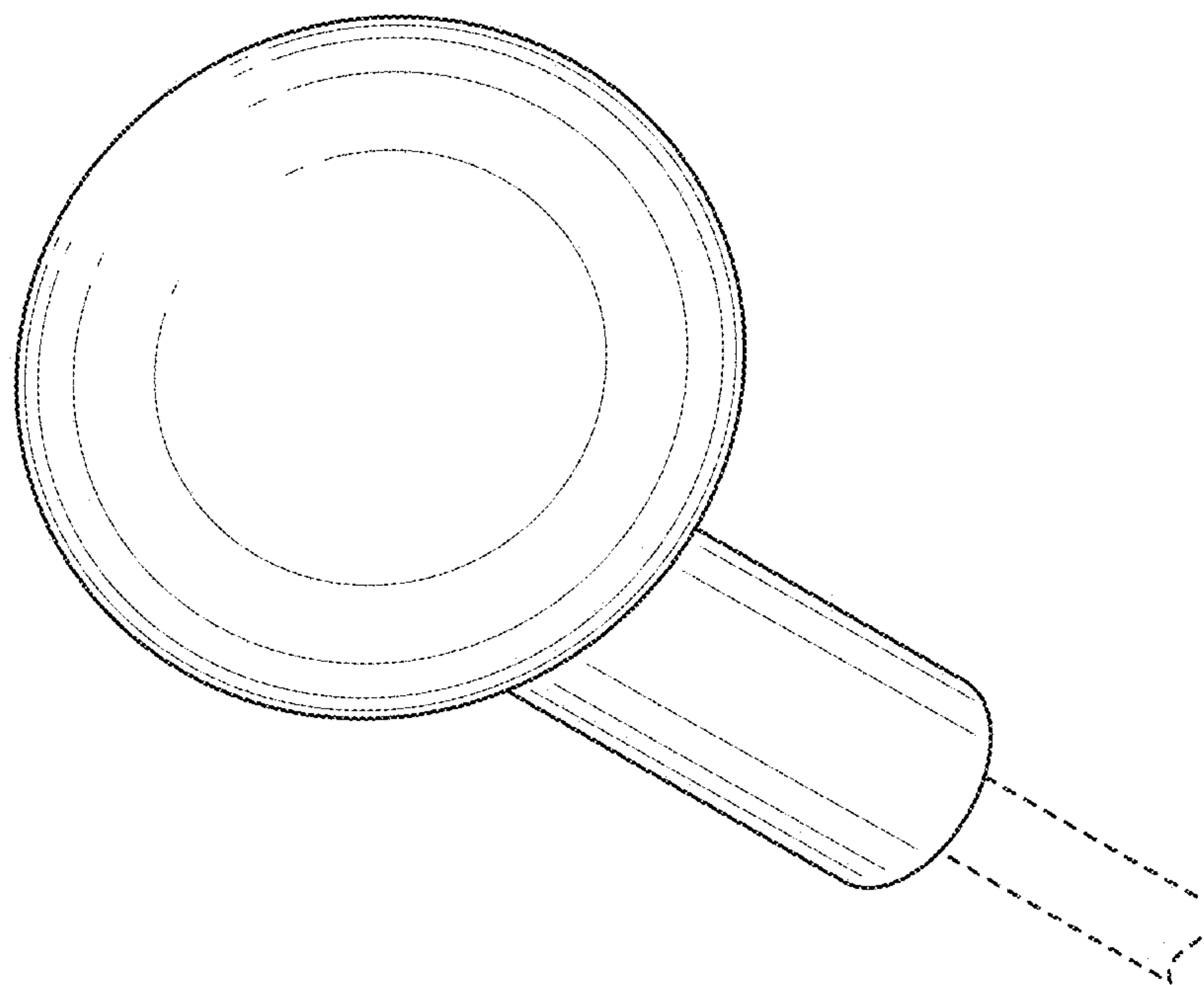


FIG. 8

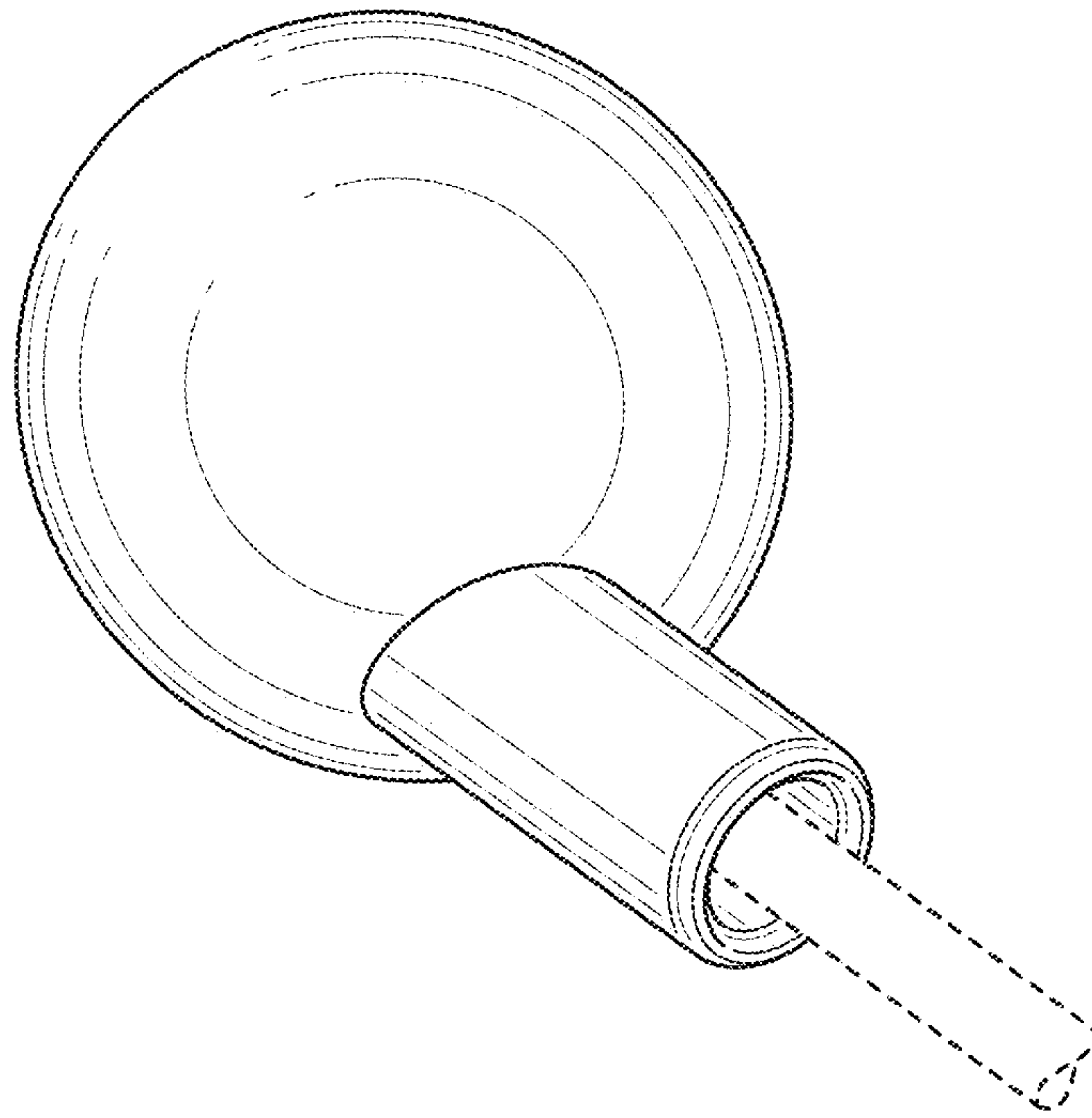


FIG. 9

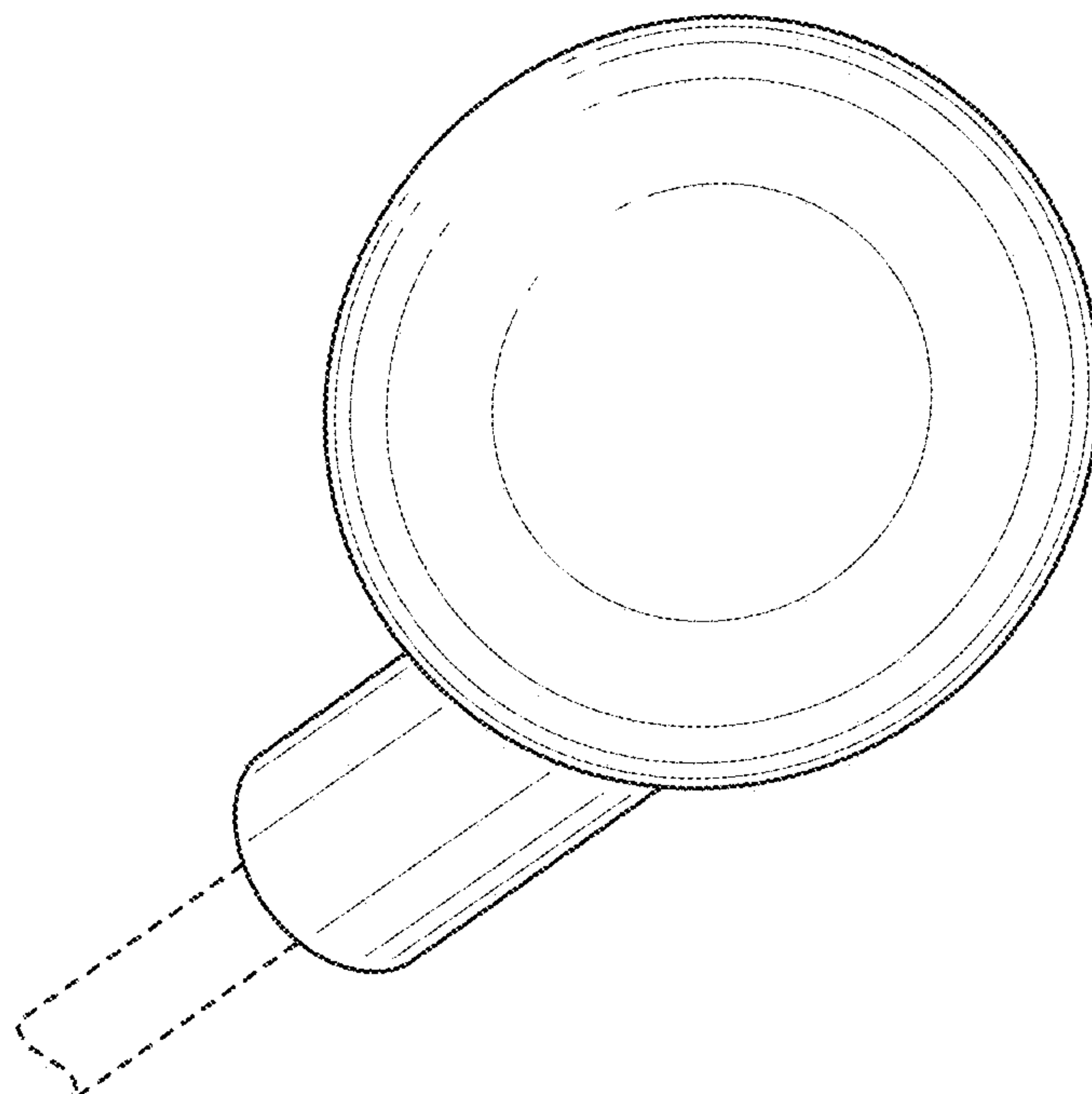


FIG. 10

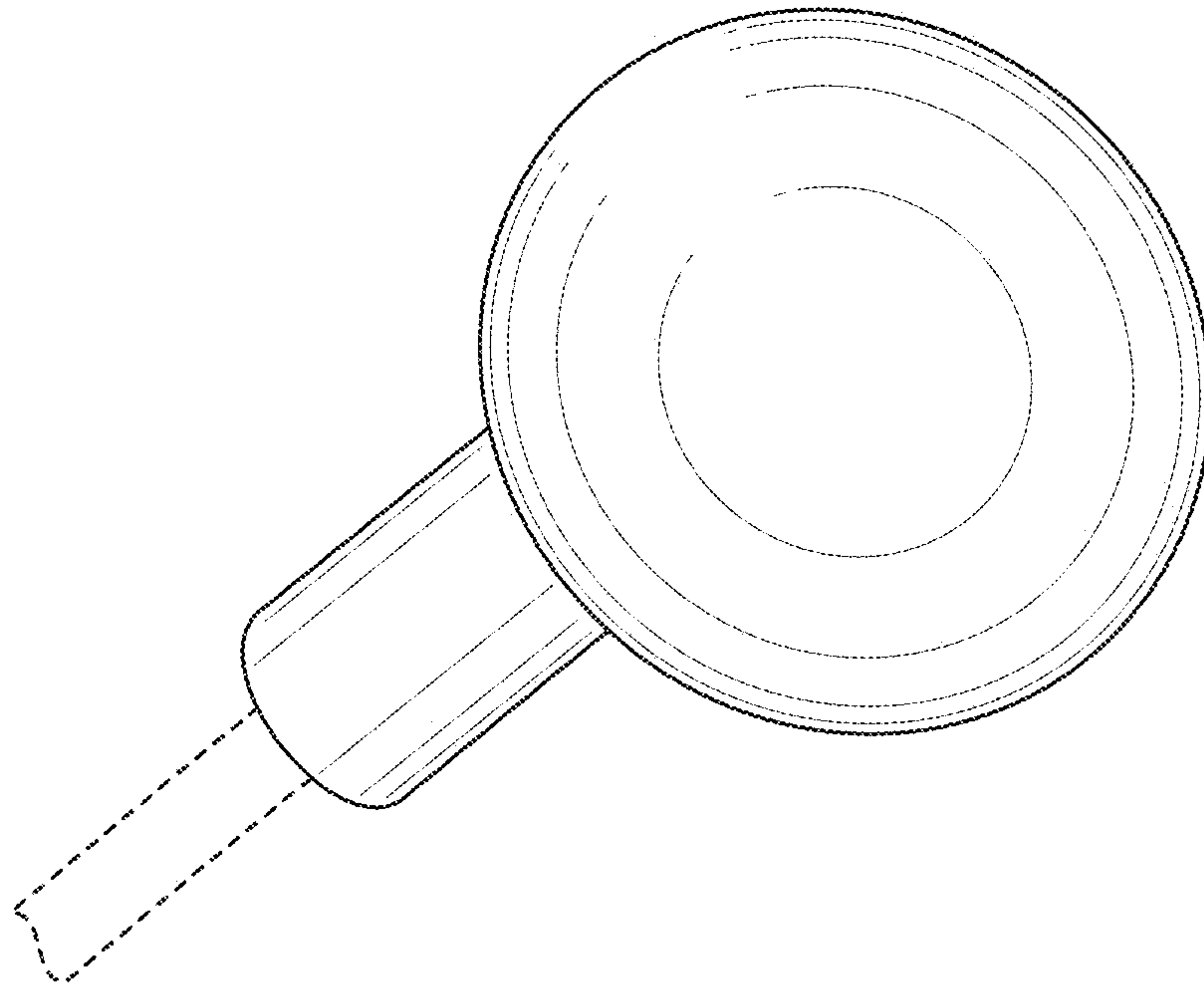


FIG. 11

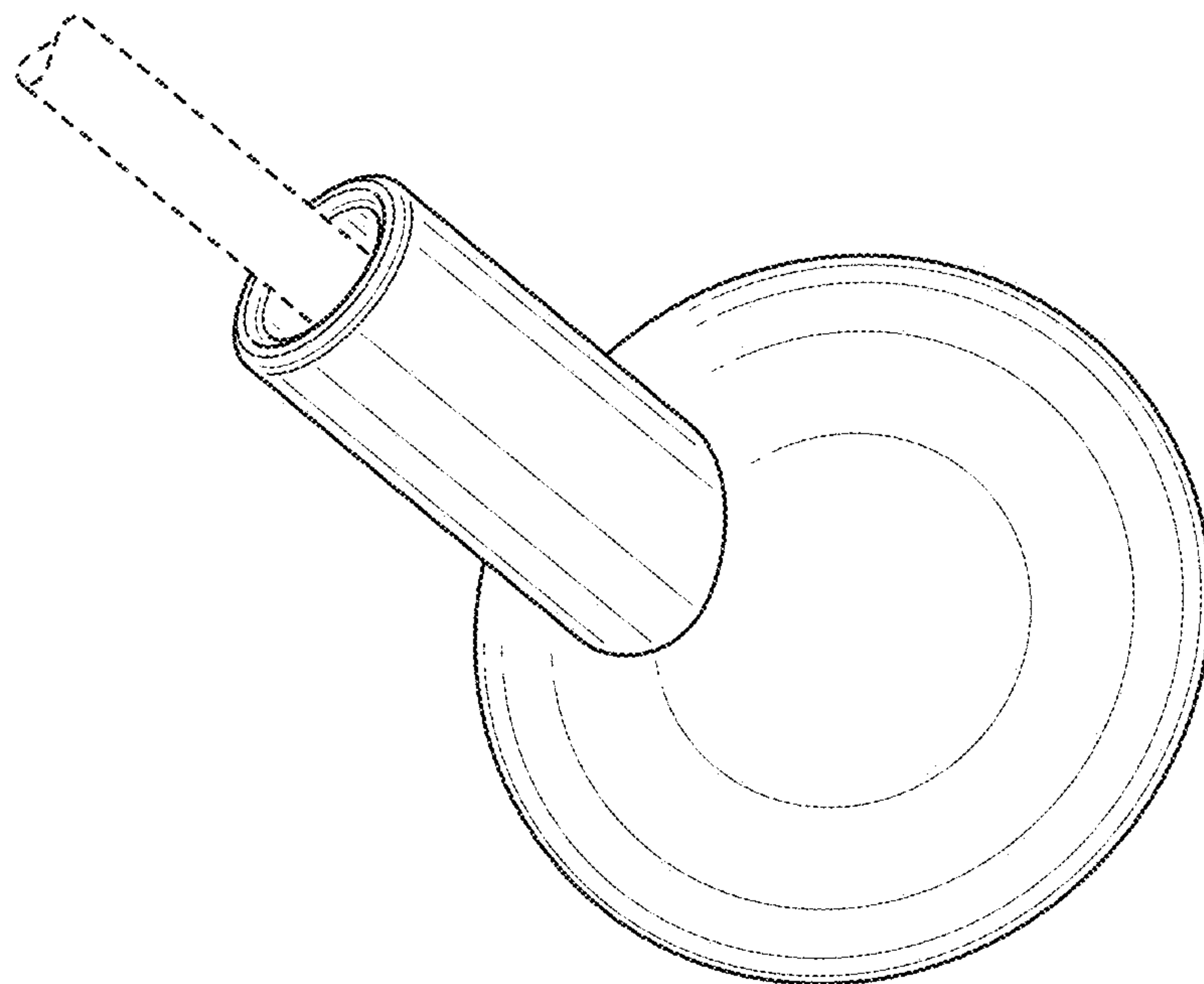


FIG. 12

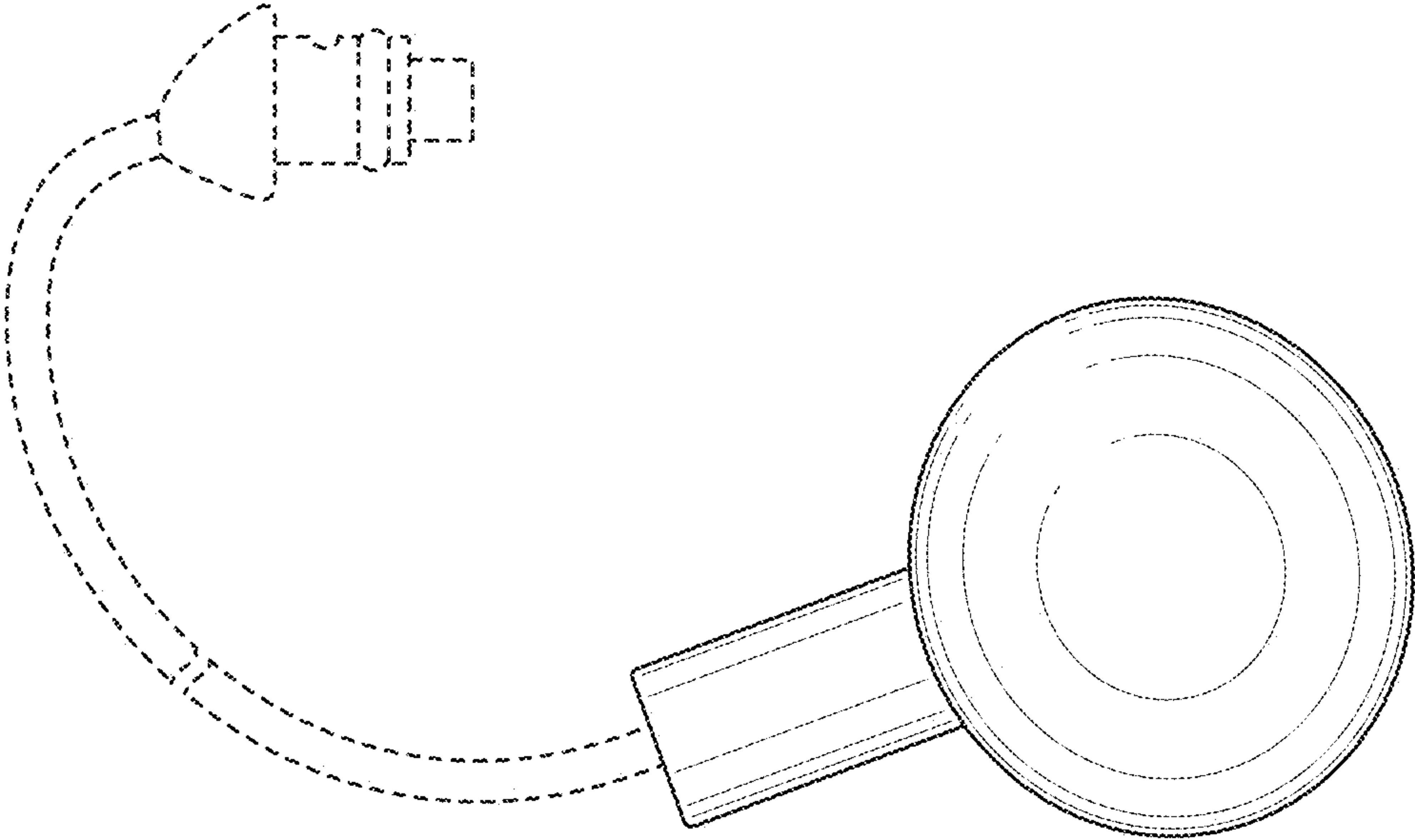


FIG. 13

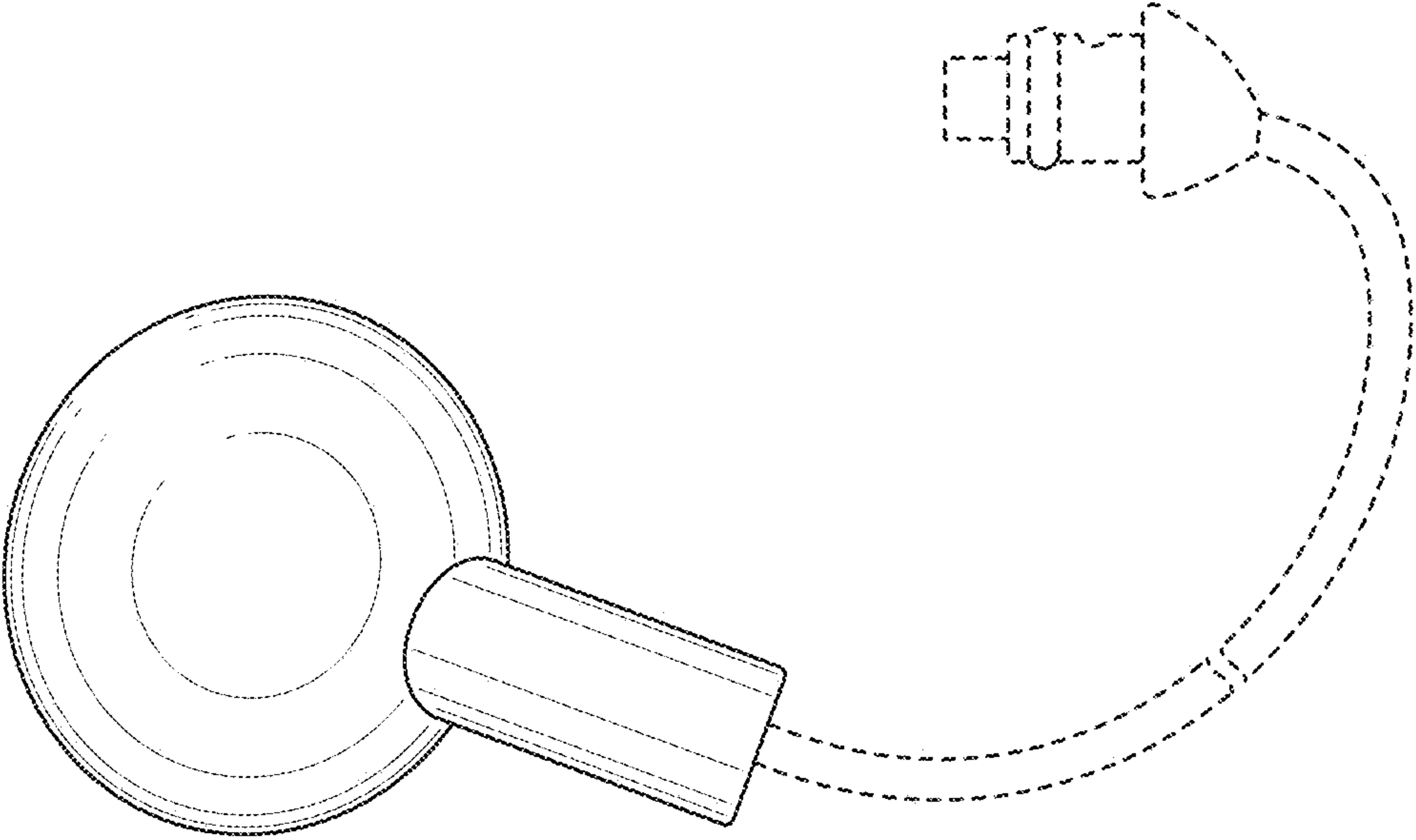


FIG. 14

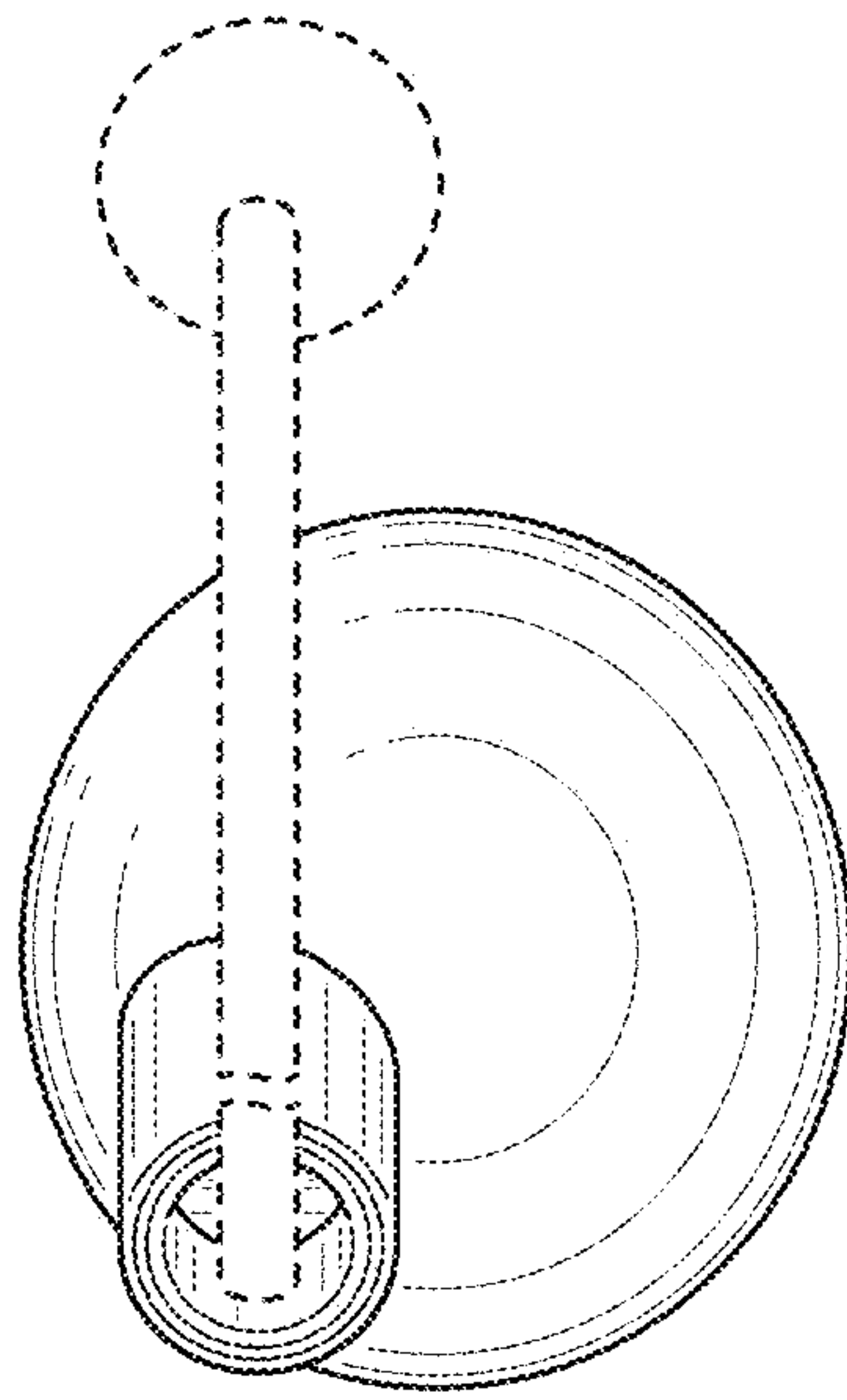


FIG. 15

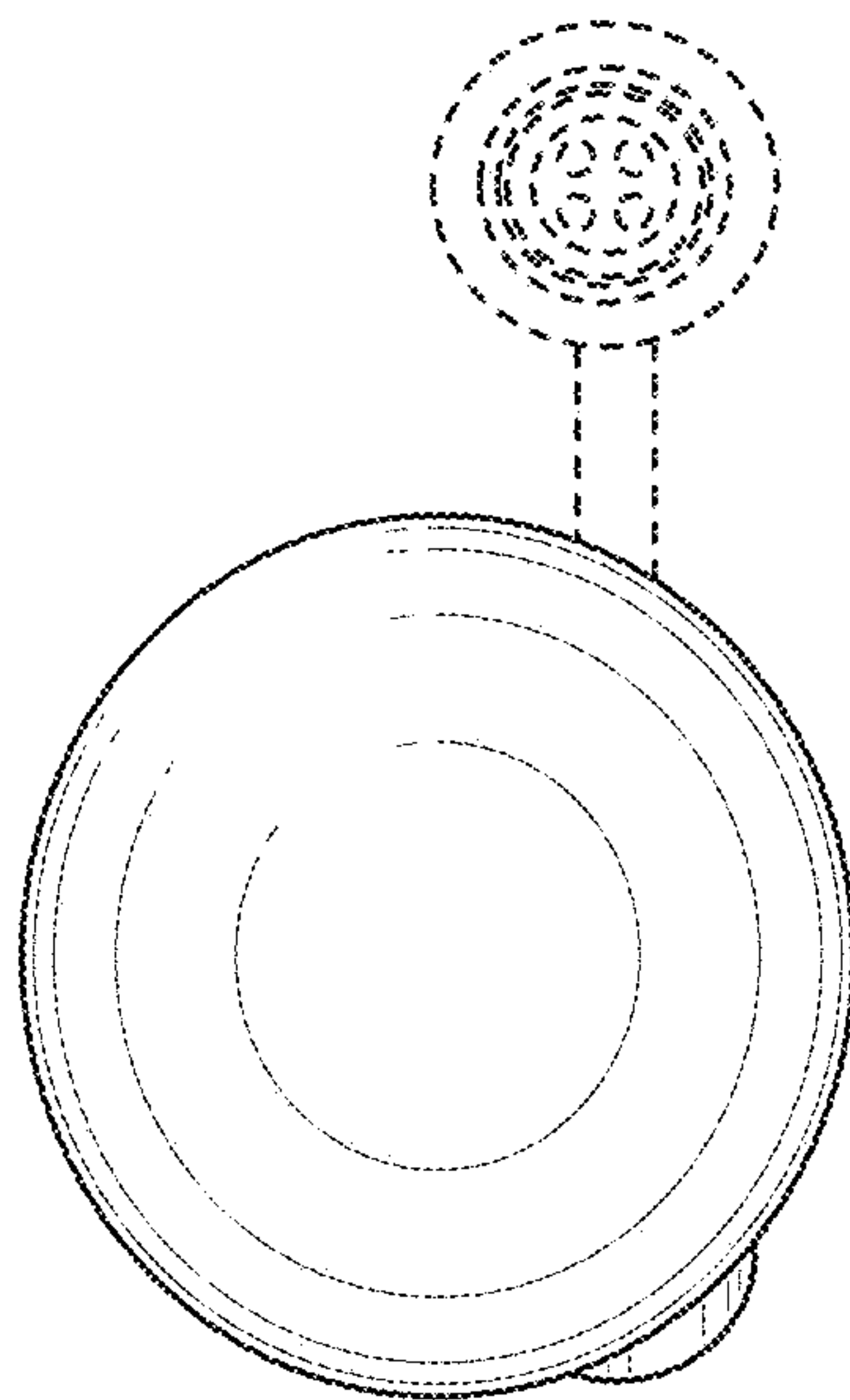


FIG. 16

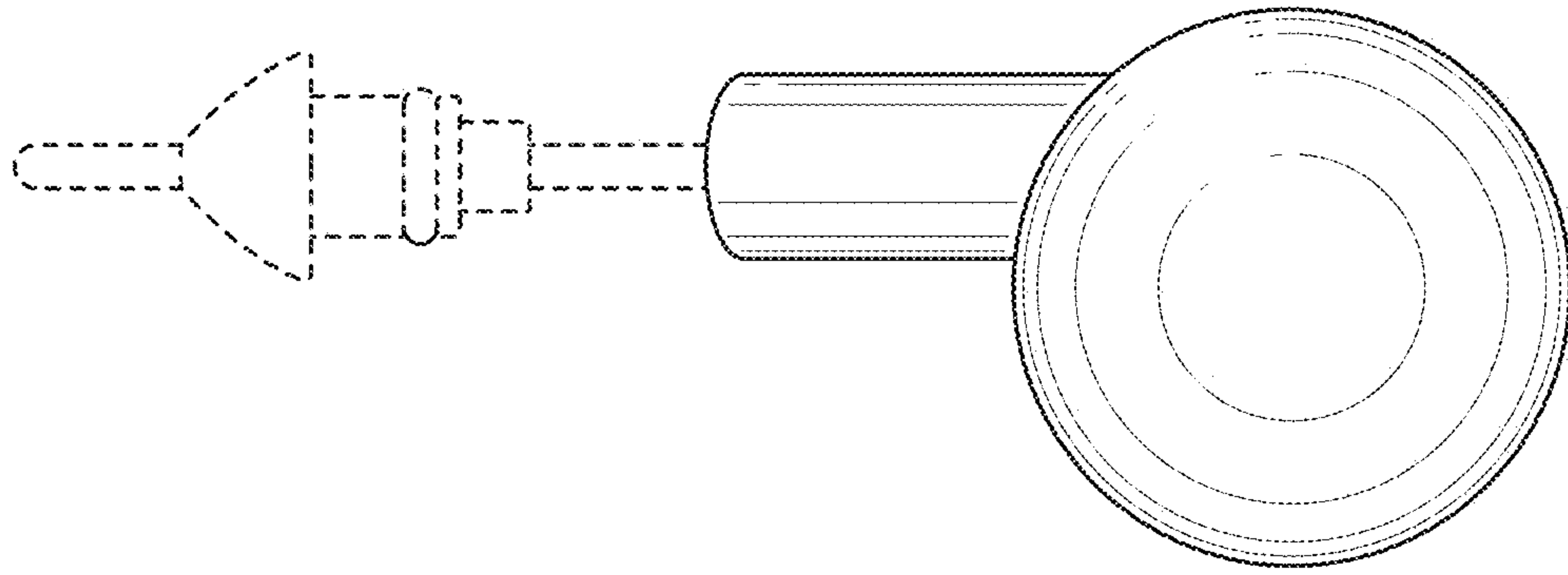


FIG. 17

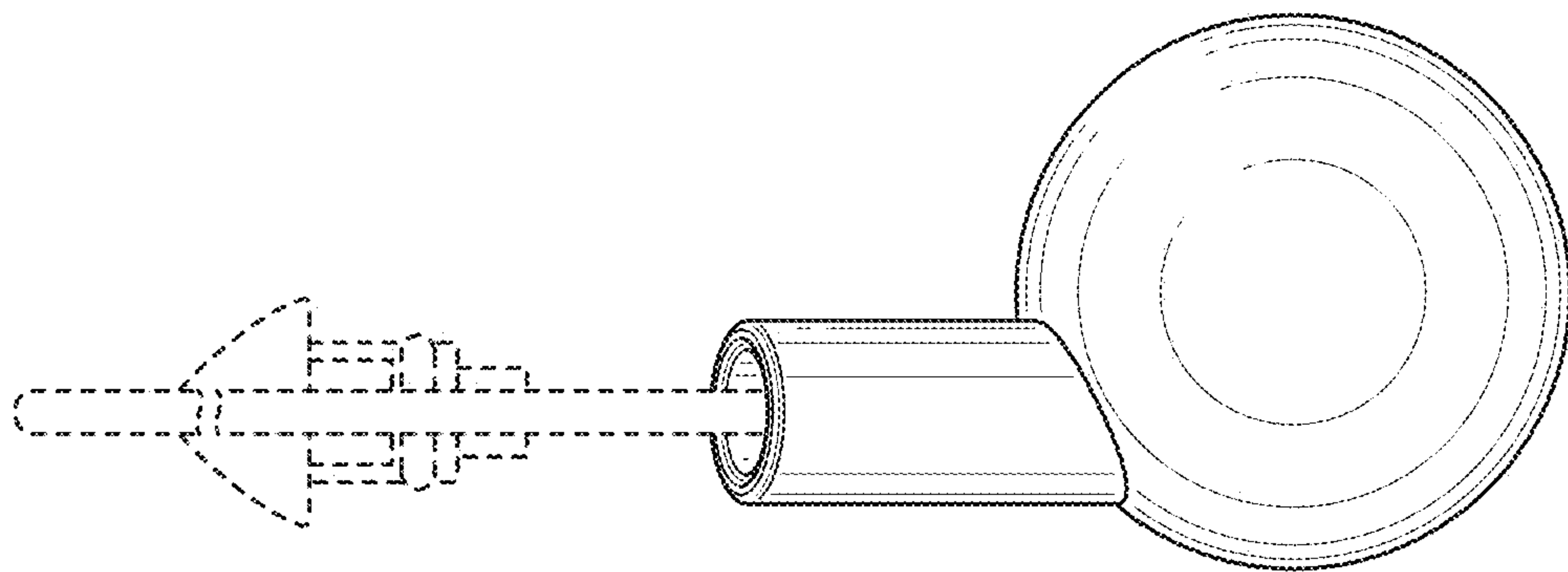


FIG. 18

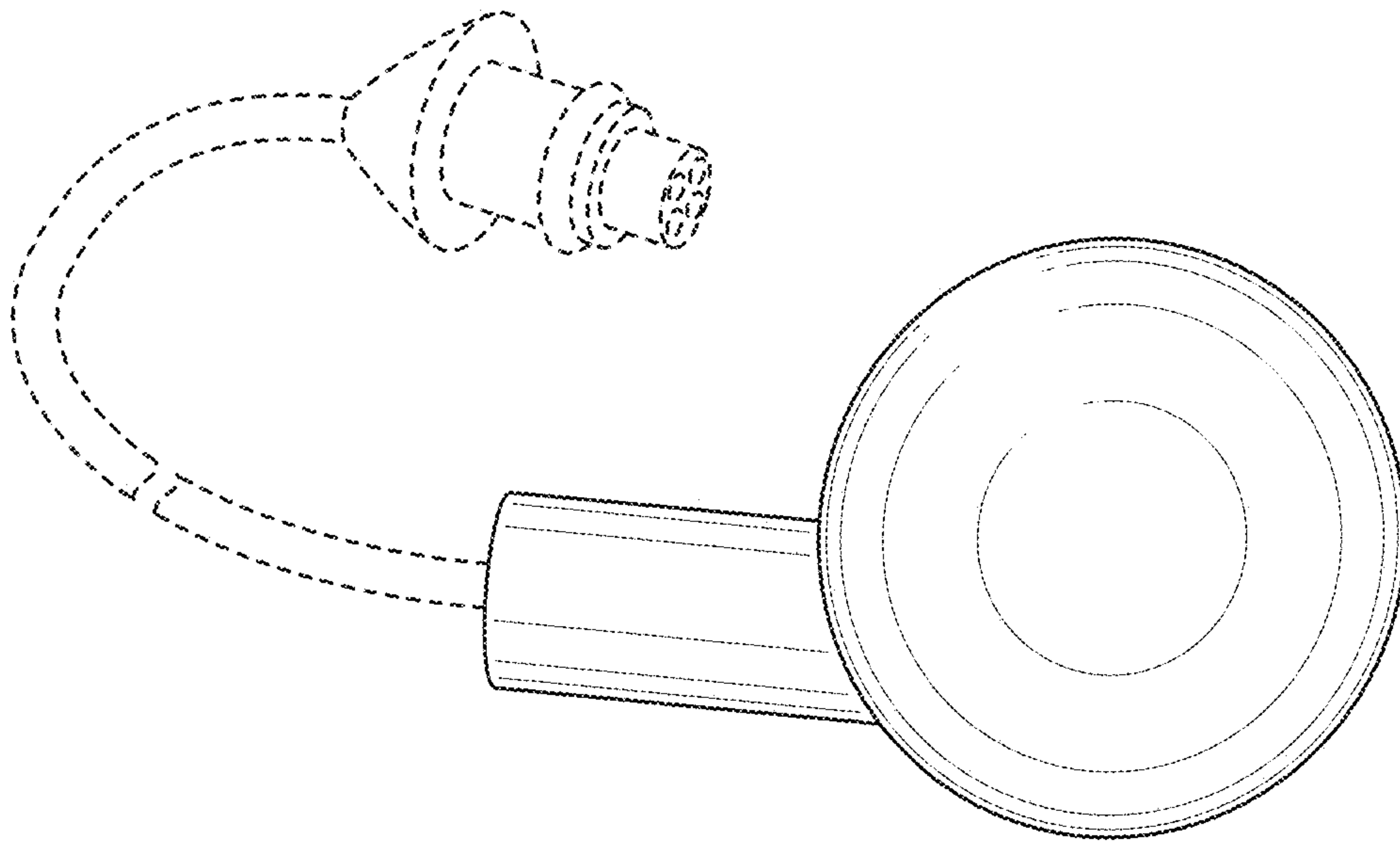


FIG. 19

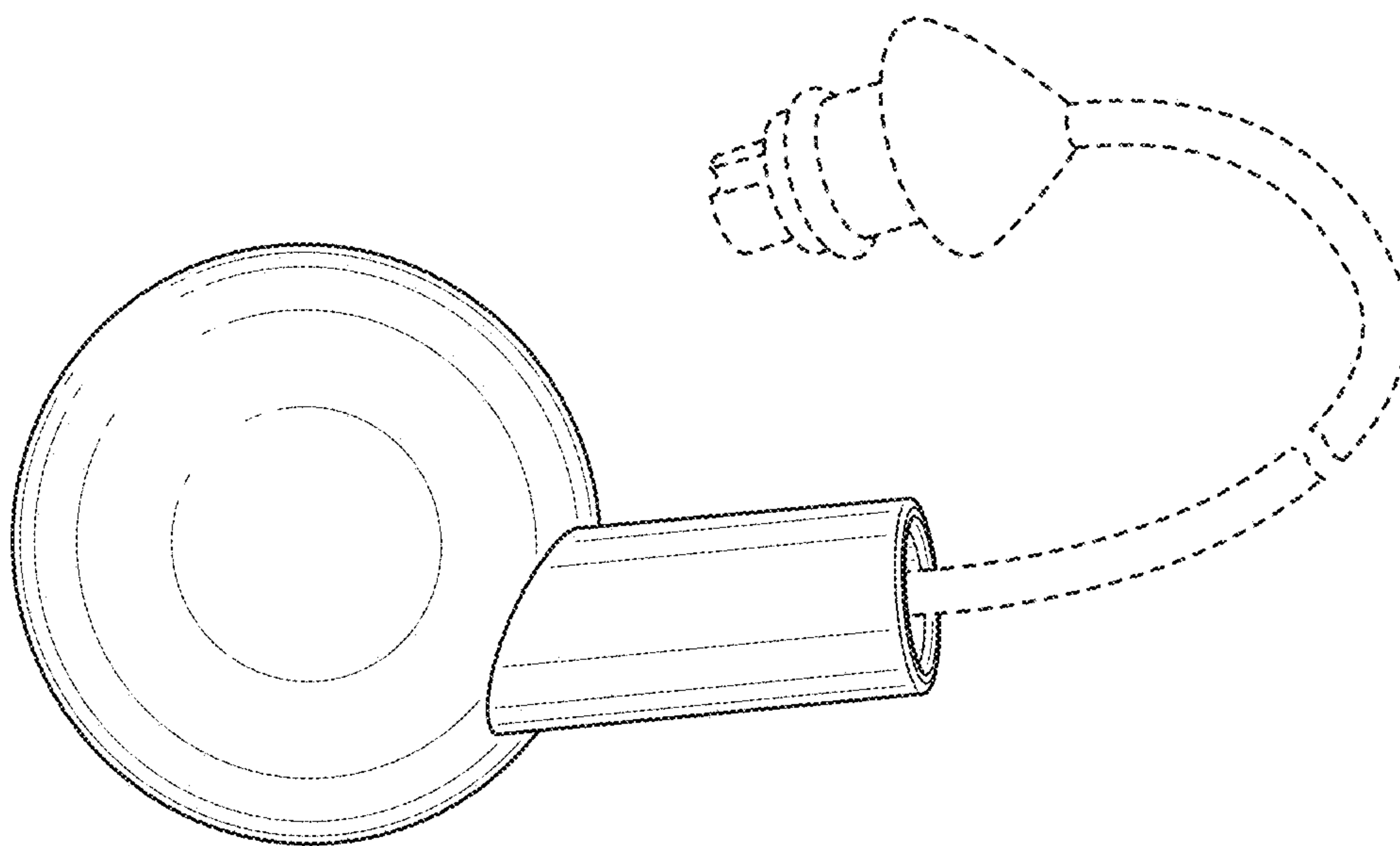


FIG. 20

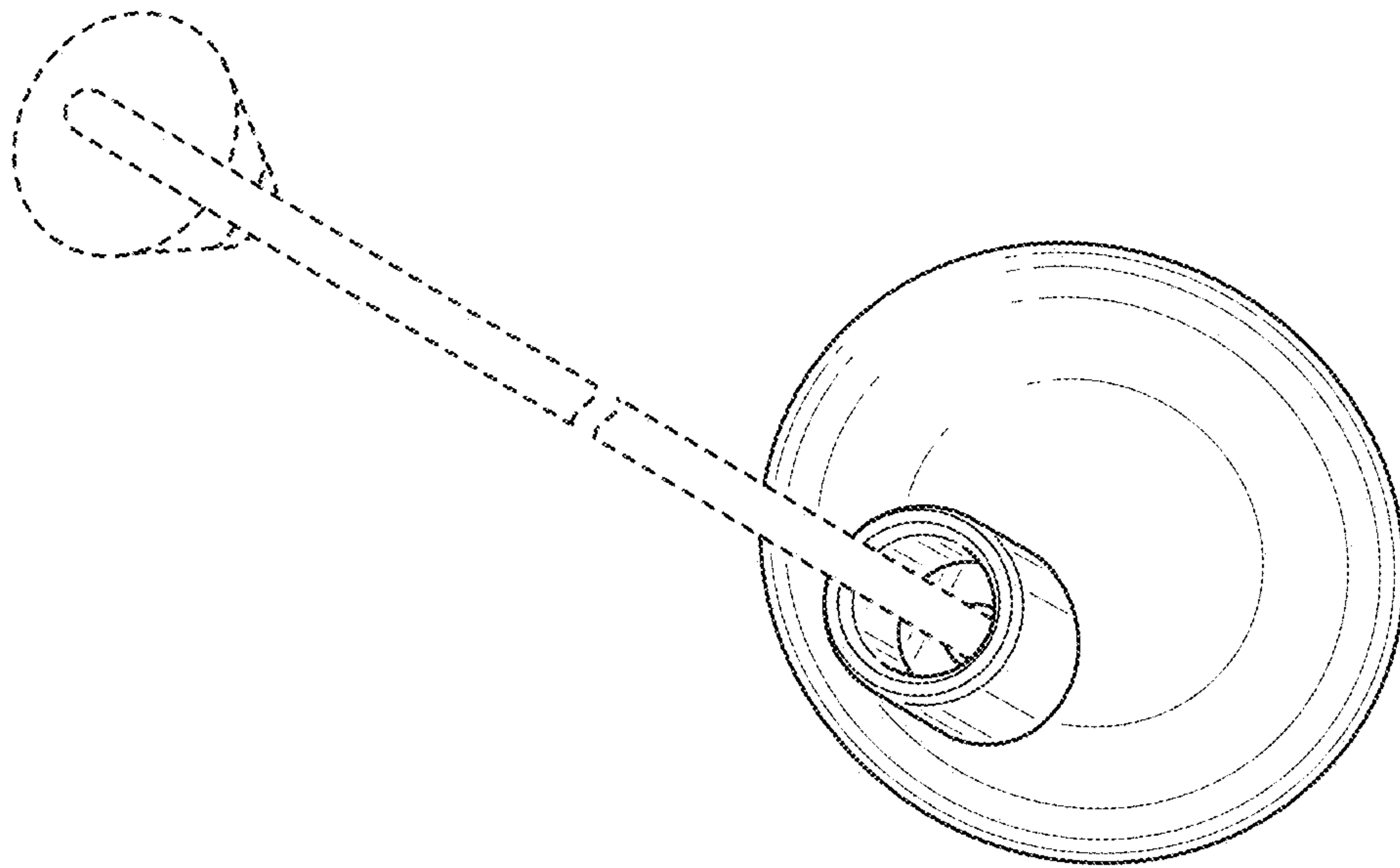


FIG. 21

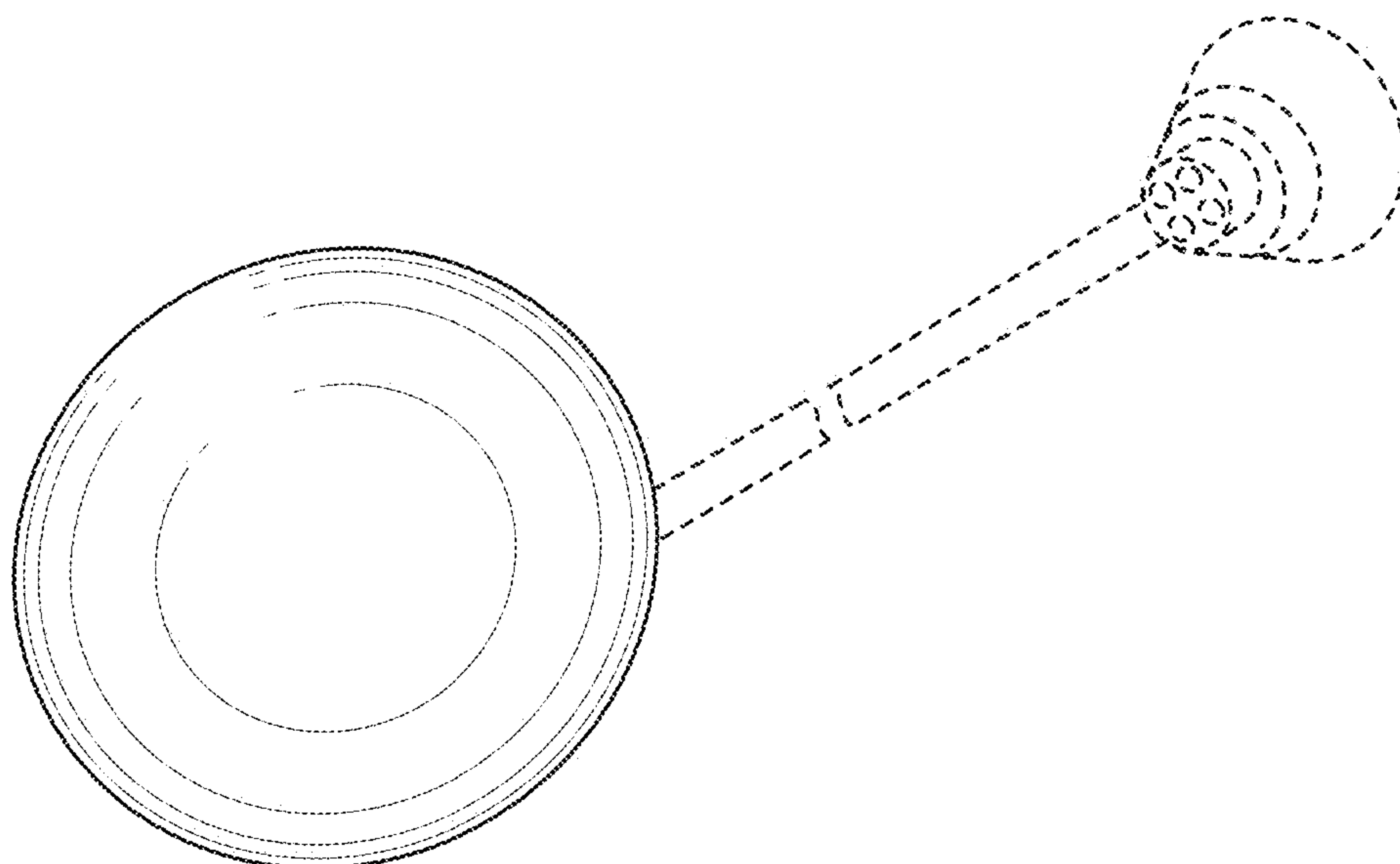


FIG. 22

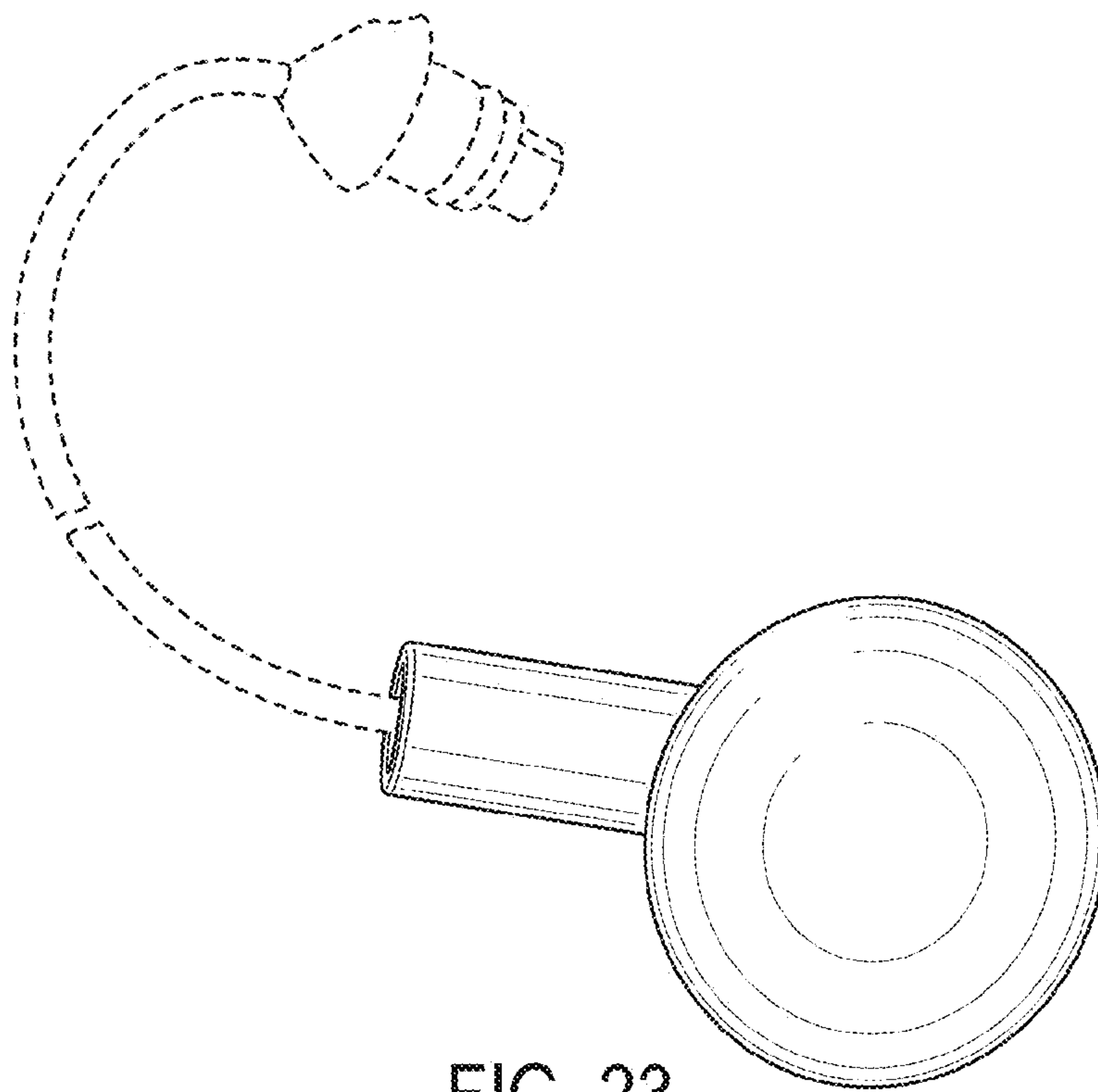


FIG. 23

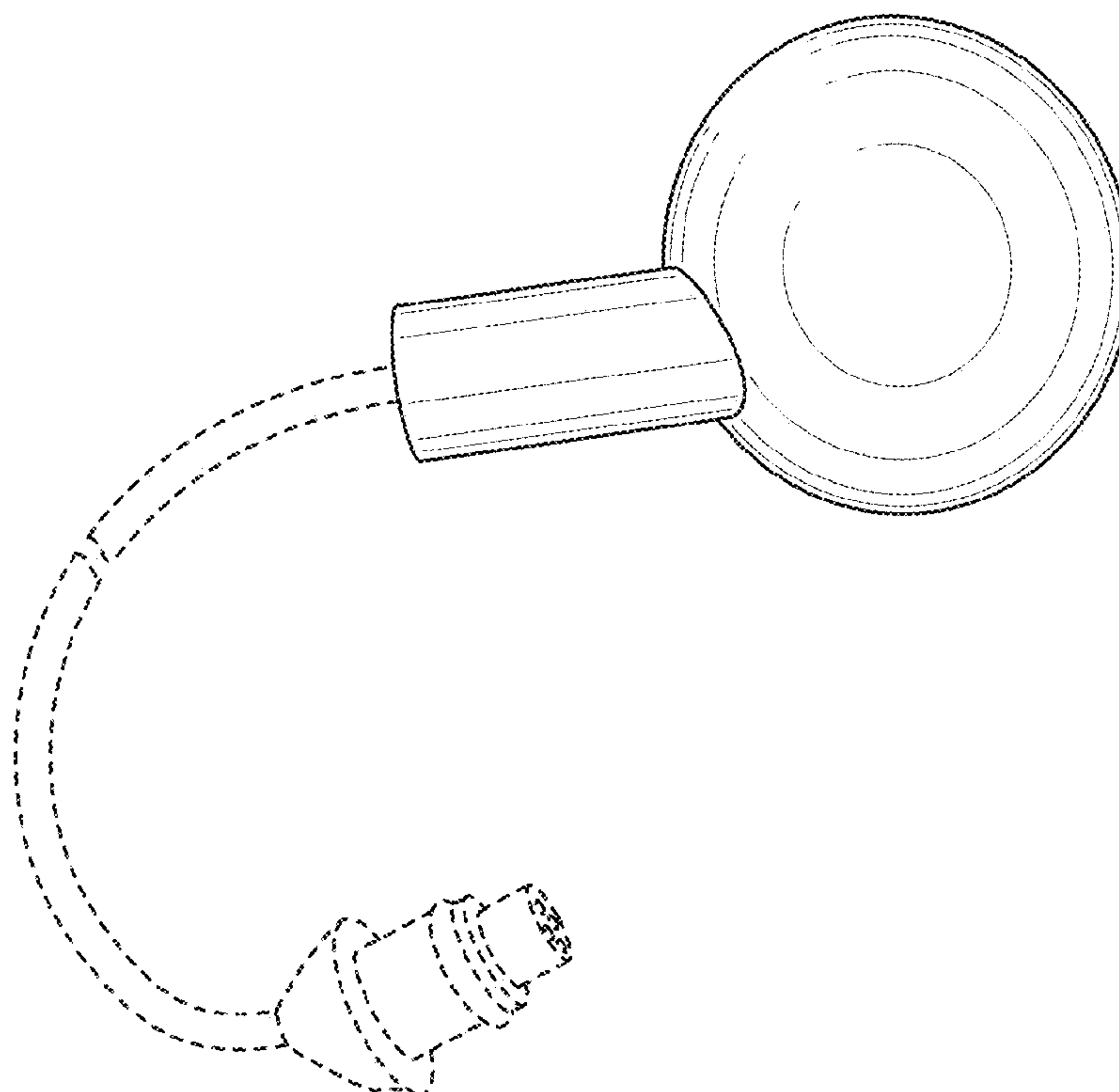


FIG. 24

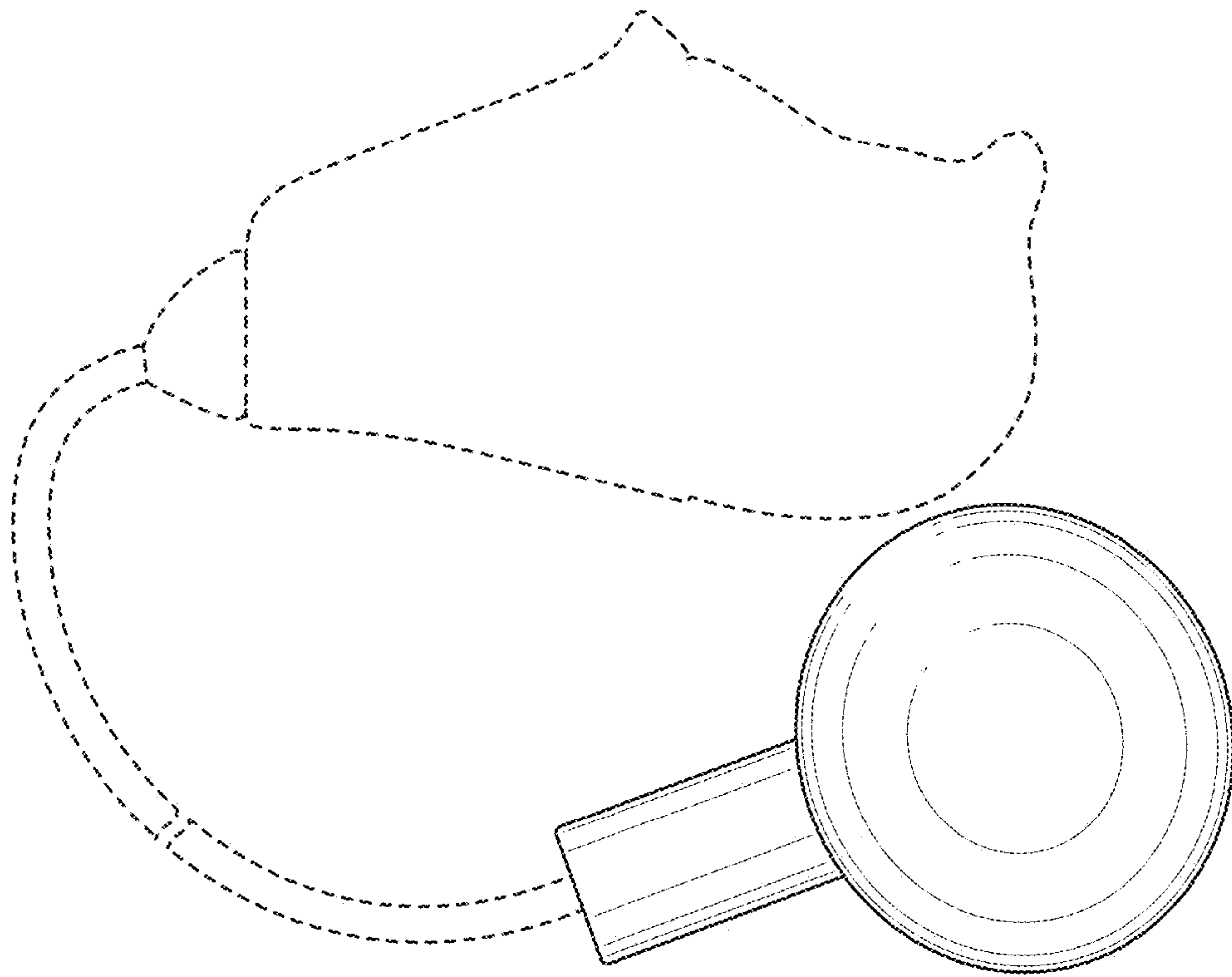


FIG. 25

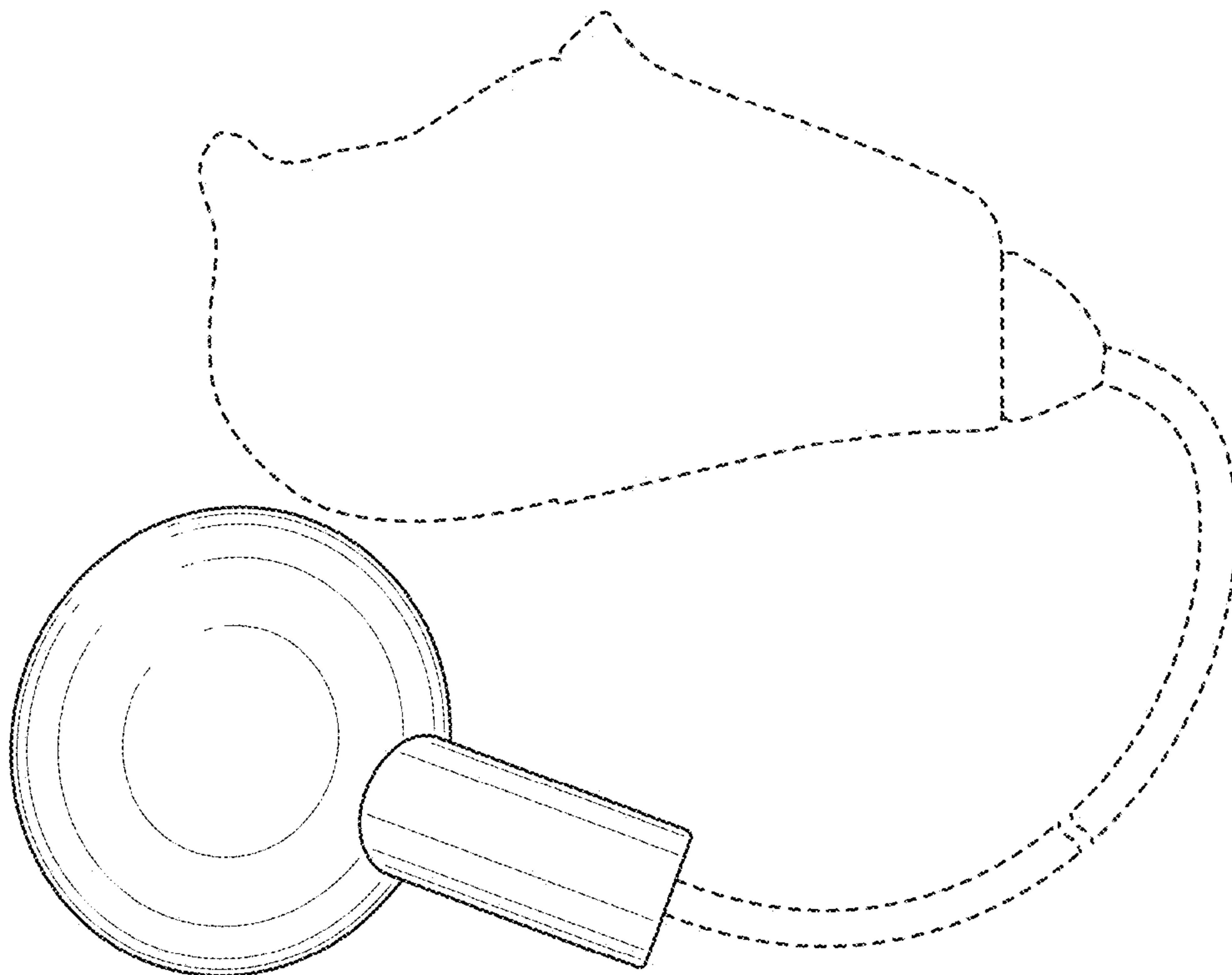


FIG. 26

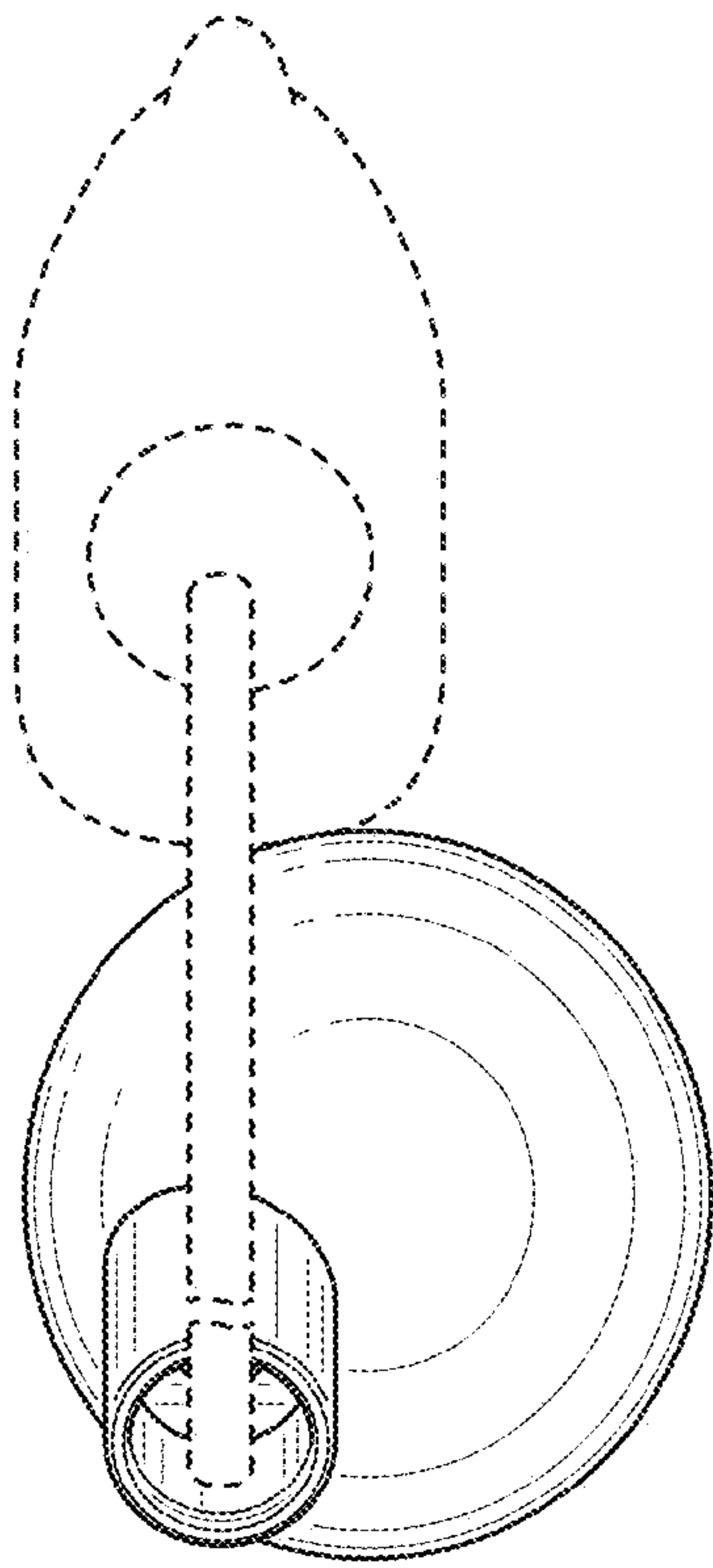


FIG. 27

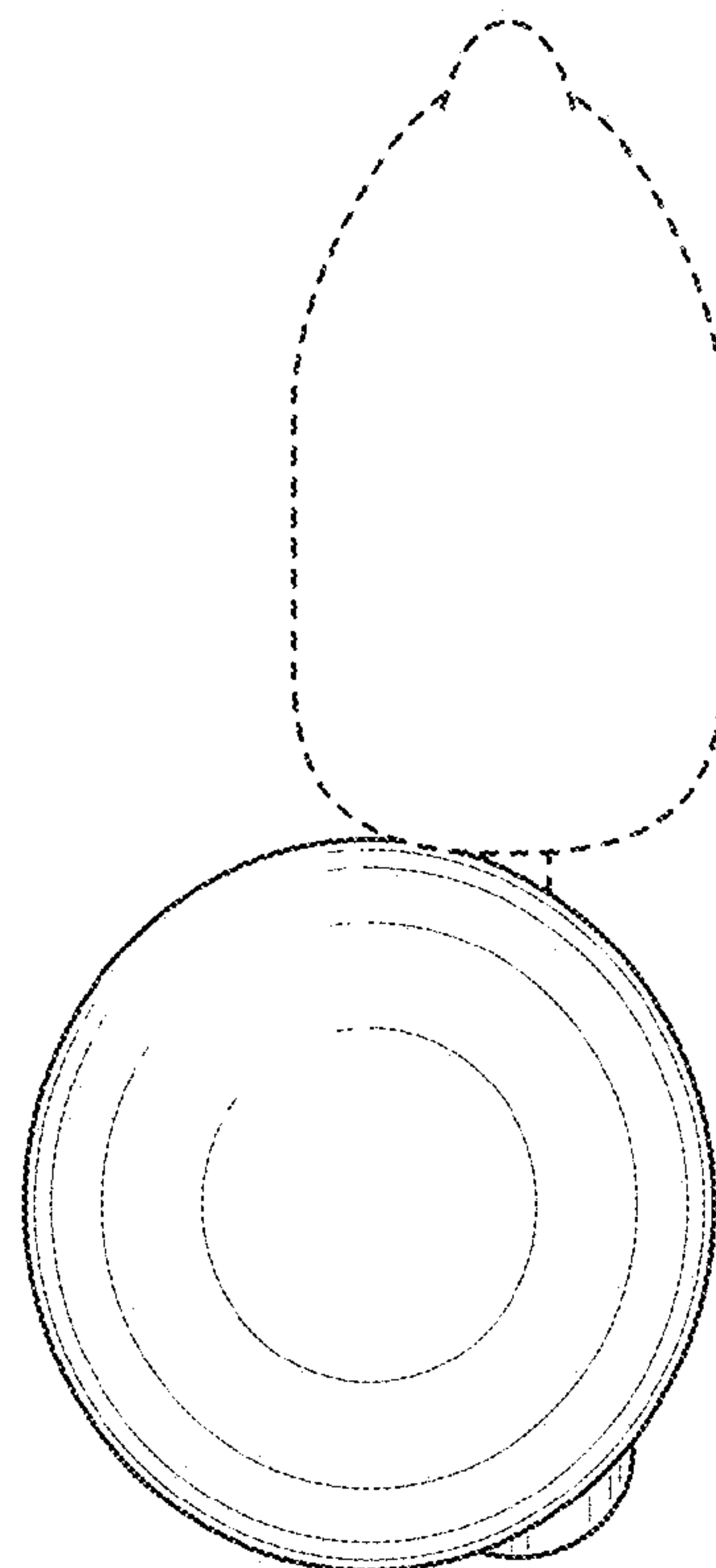


FIG. 28

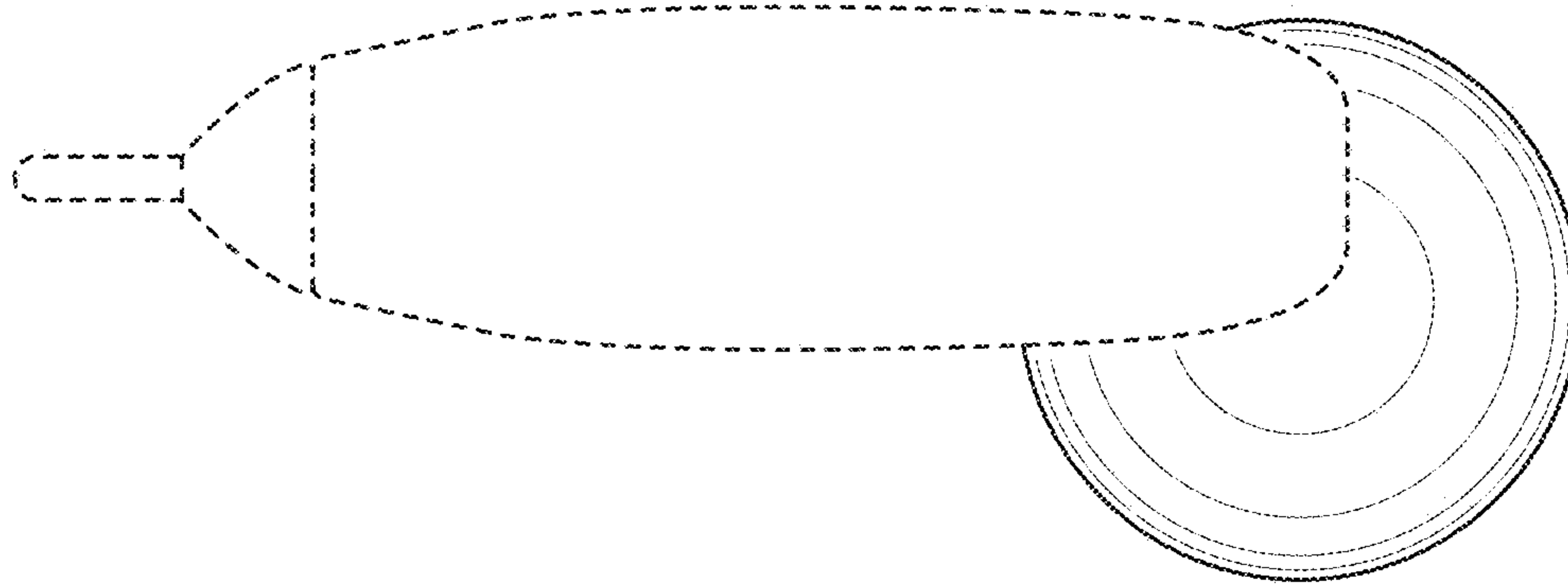


FIG. 29

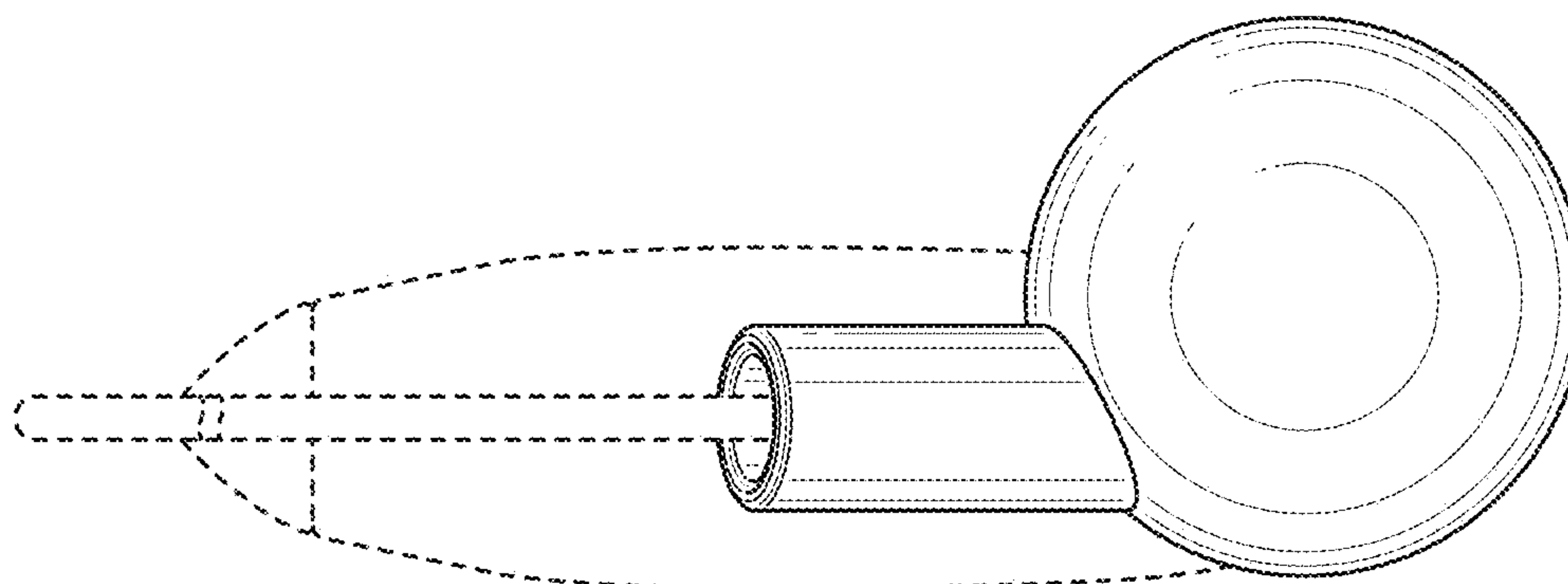


FIG. 30