



US00D938593S

(12) **United States Design Patent** (10) **Patent No.:** **US D938,593 S**
Parsons et al. (45) **Date of Patent:** **** *Dec. 14, 2021**

(54) **TOURNIQUET BUCKLE**
(71) Applicant: **Recon Medical, LLC**, Redding, CA (US)

1,299,734 A 4/1919 Kerngood
1,325,948 A 12/1919 Lebowitz
(Continued)

(72) Inventors: **Derek Parsons**, Redding, CA (US);
Gregory Michael Pickering, Redding, CA (US)

OTHER PUBLICATIONS

“Recon . . .” found by RMS on Dec. 2, 2020 on the internet at https://www.originalsoeegear.com/products/recon-medical-gen-3-mil-spec-tq.*

(73) Assignee: **Recon Medical, LLC**, Redding, CA (US)

(Continued)

(*) Notice: This patent is subject to a terminal disclaimer.

Primary Examiner — Rhea Shields
(74) *Attorney, Agent, or Firm* — Scheinberg & Associates, PC; Michael O. Scheinberg

(**) Term: **15 Years**

(21) Appl. No.: **29/736,557**

(57) **CLAIM**

(22) Filed: **Jun. 1, 2020**

I claim the ornamental design for a tourniquet buckle, as shown and described.

Related U.S. Application Data

DESCRIPTION

(63) Continuation-in-part of application No. 29/706,041, filed on Sep. 17, 2019.

(51) **LOC (13) Cl.** **24-02**

(52) **U.S. Cl.**
USPC **D24/171**; D11/218; D11/200; D24/169;
D24/143

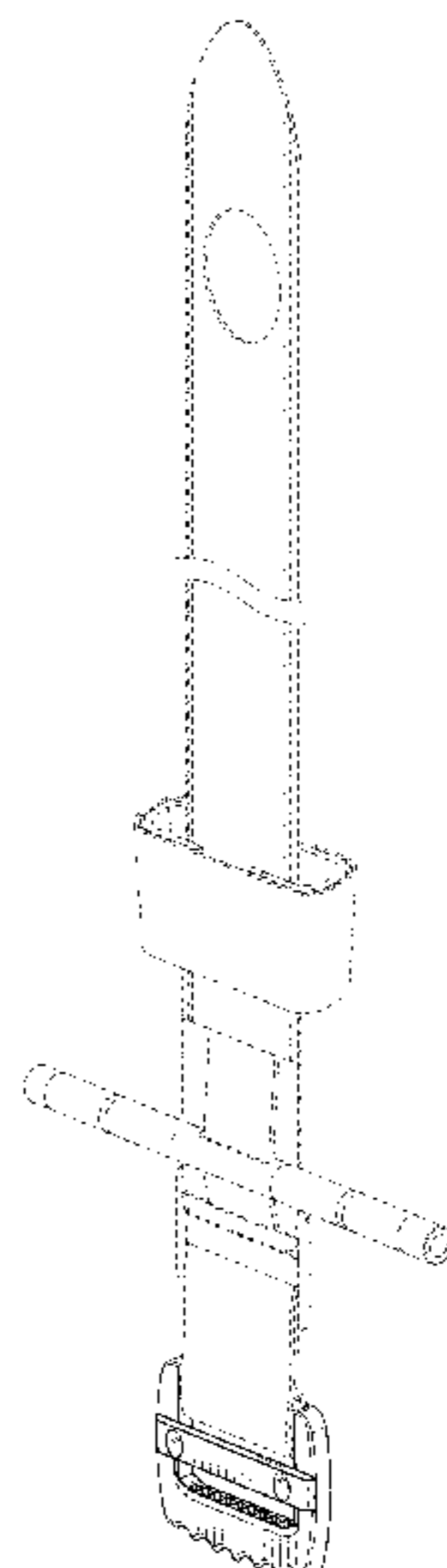
(58) **Field of Classification Search**
USPC D24/171, 169, 143, 188, 189, 165, 167,
D24/231; D11/218, 216; D2/627;
D8/383
CPC F16M 11/10; A44B 11/04; A44B 11/10;
A61B 17/1327; A61B 17/1322
See application file for complete search history.

FIG. 1 is an isometric view showing a tourniquet buckle in accordance with my new design, shown attached to a portion of a tourniquet;
FIG. 2 is a plan view of the buckle of FIG. 1;
FIG. 3 is bottom view of the buckle of FIG. 1;
FIG. 4 is a right side view thereof; and
FIG. 5 is a left side view.
FIG. 6 is front elevation of the buckle of FIG. 1;
FIG. 7 is rear elevation of the buckle of FIG. 1;
FIG. 8 is an enlarged top view of the buckle of FIG. 1, without the attached tourniquet;
FIG. 9 is an enlarged bottom view of the buckle of FIG. 1, without the attached tourniquet;
FIG. 10 is a cross sectional view taken along the lines 10-10 of the buckle of FIG. 8;
FIG. 11 is a cross sectional view taken along the lines 11-11 of the buckle of FIG. 8;
FIG. 12 is a cross sectional view taken along the lines 12-12 of the buckle of FIG. 8; and,
FIG. 13 is a cross sectional view taken along the lines 13-13 of the buckle of FIG. 8.
In the drawings, the broken lines are for the purpose of illustrating portions of the tourniquet buckle that form no part of the claimed design.

(56) **References Cited**
U.S. PATENT DOCUMENTS

104,683 A	6/1870	Alexander
341,127 A	5/1886	Bretzfeld
486,374 A	11/1892	Greenwood et al.
631,659 A	8/1899	Orewiler
840,878 A	7/1907	Stenzy
871,981 A	11/1907	Blum
892,963 A	7/1908	Lebowitz
1,147,955 A	7/1915	Langhammer
1,232,546 A	7/1917	Holden

1 Claim, 8 Drawing Sheets



(56)

References Cited

U.S. PATENT DOCUMENTS

1,423,639 A 7/1922 Anderson
 D64,754 S 5/1924 Kline
 1,653,852 A 12/1927 Hatheway
 1,679,306 A 7/1928 Hirsch
 D78,590 S 5/1929 Sheilds
 1,820,578 A 8/1931 Mosgrove
 1,887,614 A 11/1932 Louis
 1,934,951 A 11/1933 Schaefer
 1,987,469 A 1/1935 Devendorf et al.
 2,062,734 A 12/1936 Troendly
 2,084,412 A 6/1937 Schaefer
 2,189,574 A 2/1940 Anderson
 D121,618 S 7/1940 Reiter
 D125,083 S 2/1941 Dickson
 D138,185 S * 7/1944 Reiter D11/218
 2,480,430 A 8/1949 Nugent
 3,156,243 A 11/1964 Sculley
 3,760,466 A 9/1973 Leblanc
 3,786,816 A 1/1974 Wolvek
 3,869,763 A 3/1975 Senk et al.
 4,023,826 A 5/1977 Kokubo et al.
 4,171,555 A * 10/1979 Bakker A44B 11/04
 24/200
 4,561,437 A 12/1985 Kirchner
 D287,067 S 12/1986 Kasai
 D303,456 S * 9/1989 Selisky D11/218
 D308,166 S 5/1990 Weckman
 D328,044 S 7/1992 Murai
 D328,045 S 7/1992 Matoba
 5,243,741 A * 9/1993 Fudaki A44B 11/04
 24/197
 D352,254 S 11/1994 Prosser
 D352,255 S 11/1994 Prosser
 D356,491 S * 3/1995 Anscher D8/383
 D364,833 S * 12/1995 Matoba D11/218
 D381,427 S 7/1997 Marrero
 D386,110 S * 11/1997 Hetrick D11/218
 D394,024 S 5/1998 Johnson, I
 D411,485 S * 6/1999 Dreyfus D11/218
 D413,281 S 8/1999 Uehara
 D419,106 S * 1/2000 Uehara D11/218
 D426,791 S * 6/2000 Nezu D11/218
 D427,547 S 7/2000 Yoshiguchi
 6,149,618 A 11/2000 Sato
 D436,057 S 1/2001 Hotta
 6,217,601 B1 4/2001 Chao
 D446,162 S 8/2001 Kung
 D450,263 S 11/2001 Striebel
 D452,185 S 12/2001 Yoshiguchi
 D456,309 S 4/2002 Yoshiguchi
 D467,838 S 12/2002 Yoshiguchi
 D471,132 S * 3/2003 Murata D11/218
 6,622,348 B1 9/2003 Buscart
 D483,294 S 12/2003 Uehara
 D486,093 S 2/2004 Tobergte
 D491,103 S 6/2004 Uehara et al.
 D505,094 S 5/2005 Matoba et al.
 D507,763 S 7/2005 Kaneko et al.
 D507,990 S 8/2005 Yoshiguchi
 D509,769 S * 9/2005 Krauss D11/218
 D520,908 S 5/2006 Haymond
 D536,280 S 2/2007 Wemmer
 D538,198 S 3/2007 Wemmer
 D545,243 S 6/2007 Gracer et al.
 D562,729 S 2/2008 Hitchcock et al.
 D563,270 S 3/2008 Zeng
 D568,786 S 5/2008 Yang et al.
 D576,077 S 9/2008 Yoshiguchi
 D586,259 S 2/2009 Kelleghan
 D586,692 S 2/2009 Nykoluk
 D605,554 S * 12/2009 Yang D11/216
 D610,946 S 3/2010 Harada
 D617,234 S 6/2010 Chan
 D620,837 S 8/2010 Schiebl

D623,556 S 9/2010 Pontaoe
 7,842,067 B2 11/2010 Esposito
 D628,515 S 12/2010 Schiebl
 7,892,253 B2 2/2011 Esposito et al.
 D649,087 S 11/2011 Harada
 D649,642 S 11/2011 Johnson
 D649,907 S 12/2011 Kataguchi
 D653,169 S 1/2012 Lo
 D682,155 S 5/2013 Parsons
 D689,608 S 9/2013 Kerstein et al.
 D703,096 S 4/2014 Kelleghan
 D712,306 S 9/2014 Fildan et al.
 D713,759 S 9/2014 Guney et al.
 D717,206 S * 11/2014 Iannello D11/216
 8,888,807 B2 11/2014 Esposito
 D729,689 S 5/2015 Kelleghan
 D733,305 S 6/2015 Miyashita et al.
 D786,735 S 5/2017 Koreishi et al.
 D791,951 S 7/2017 Henderson
 D810,300 S * 2/2018 Parsons D24/169
 D812,170 S 3/2018 Henderson
 9,986,790 B2 * 6/2018 Ness A44B 11/04
 D823,466 S 7/2018 Marogil
 D823,717 S 7/2018 Ho
 D824,522 S 7/2018 Brown
 10,016,203 B2 7/2018 Esposito
 D825,752 S * 8/2018 Dimino D24/143
 D826,408 S 8/2018 Harder
 D828,564 S 9/2018 Harder
 D840,869 S 2/2019 Koreishi
 D840,870 S 2/2019 Koreishi
 D847,016 S 4/2019 Stringham
 D855,186 S 7/2019 Donald
 D858,774 S * 9/2019 Parsons D24/169
 D858,938 S * 9/2019 He D2/627
 D860,858 S * 9/2019 Evans A44B 11/10
 D11/218
 D891,614 S 7/2020 Dimino
 10,761,412 B1 * 9/2020 Postolek F16M 11/10
 2003/0028215 A1 2/2003 Brooks
 2005/0240217 A1 10/2005 Jennifer et al.
 2007/0163088 A1 * 7/2007 Gracer A44B 11/04
 24/198
 2008/0281351 A1 11/2008 Croushorn et al.
 2009/0005804 A1 1/2009 Esposito et al.
 2009/0062842 A1 3/2009 Esposito et al.
 2010/0057120 A1 3/2010 Kirkham
 2010/0170065 A1 * 7/2010 Paik A44B 11/04
 24/163 R
 2010/0312271 A1 * 12/2010 Chao A61B 17/1327
 606/203
 2011/0087264 A1 4/2011 Esposito
 2011/0178546 A1 7/2011 Johnson et al.
 2011/0239416 A1 10/2011 Shinya et al.
 2011/0270299 A1 11/2011 Rose et al.
 2011/0307004 A1 12/2011 Johnson et al.
 2012/0071917 A1 * 3/2012 McDonald A61B 17/1322
 606/203
 2012/0215254 A1 8/2012 Brub
 2013/0110019 A1 5/2013 Hopman et al.
 2014/0214054 A1 7/2014 Foerster et al.
 2015/0094756 A1 4/2015 Kosiorek et al.
 2017/0032698 A1 2/2017 Bronson et al.
 2017/0035440 A1 2/2017 Hopman et al.
 2018/0153557 A1 * 6/2018 Dimino A61B 17/1327
 2018/0228497 A1 8/2018 Dimino et al.
 2018/0317935 A1 11/2018 Engwall
 2018/0353189 A1 12/2018 Goolsby et al.

OTHER PUBLICATIONS

Amazon—Eyocean tourniquet—Reviewed on Aug. 6, 2018.
 Gistgear—“Gistgear the essential guide to the best gear”—first
 found on Jun. 22, 2018.
 Application as Filed.
 Non-Final Office Action dated May 21, 2020.

* cited by examiner

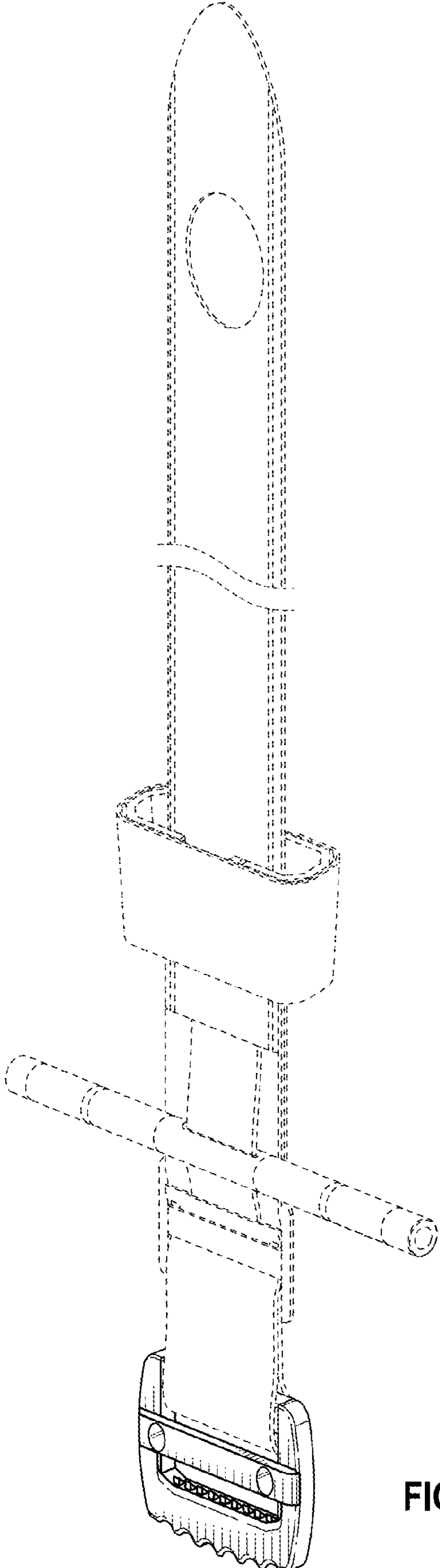


FIG. 1

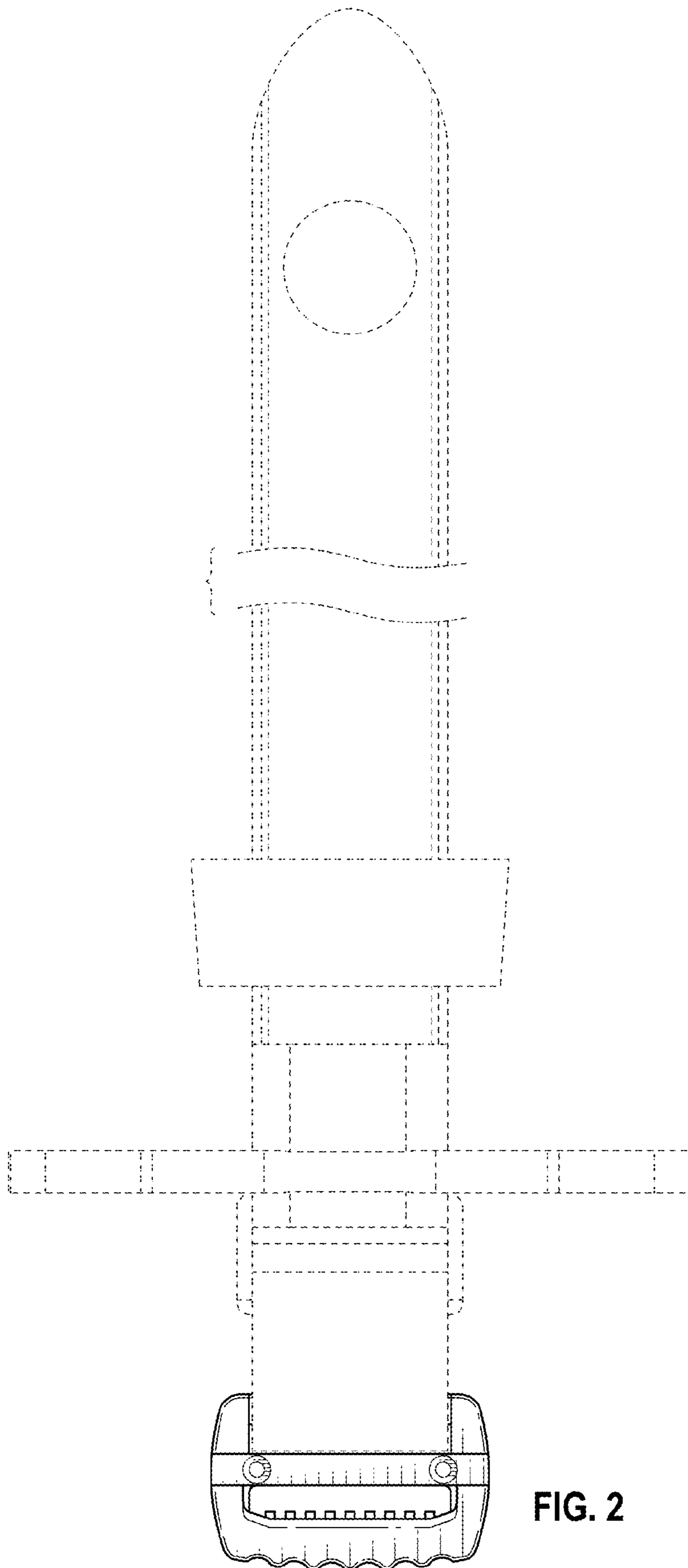


FIG. 2

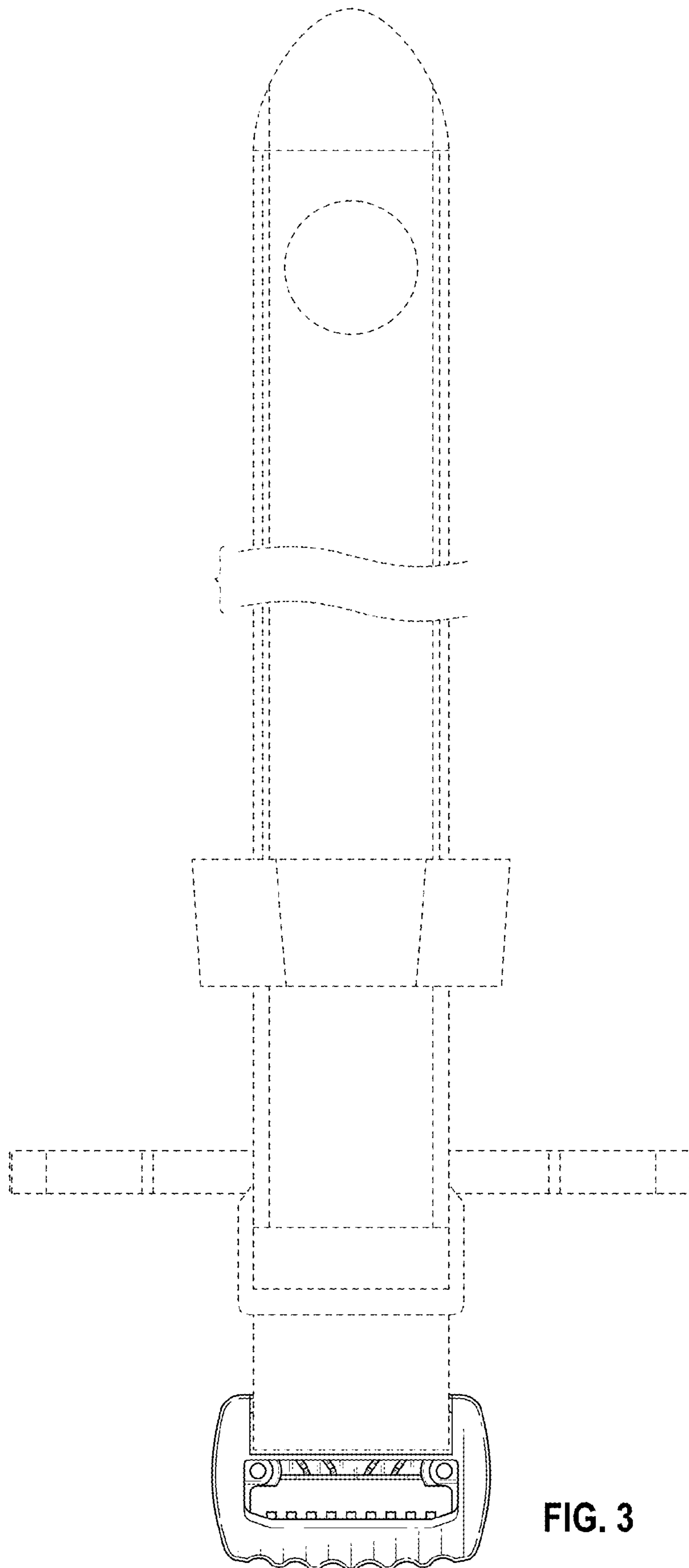


FIG. 3

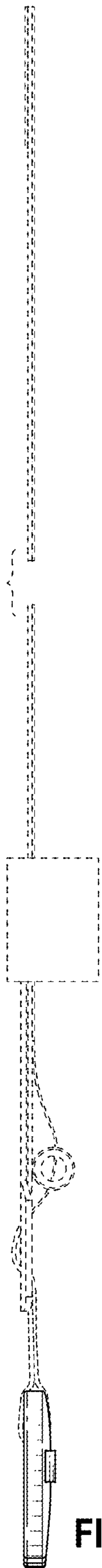


FIG. 4

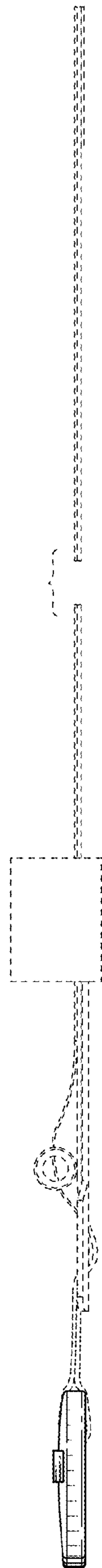


FIG. 5

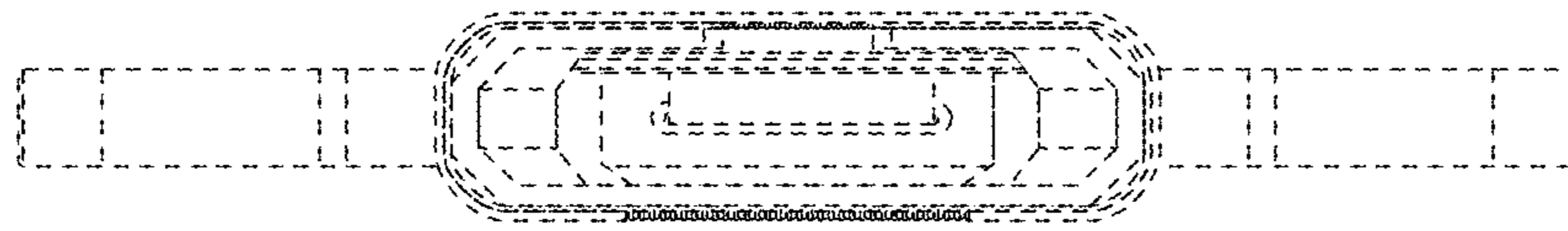


FIG. 6

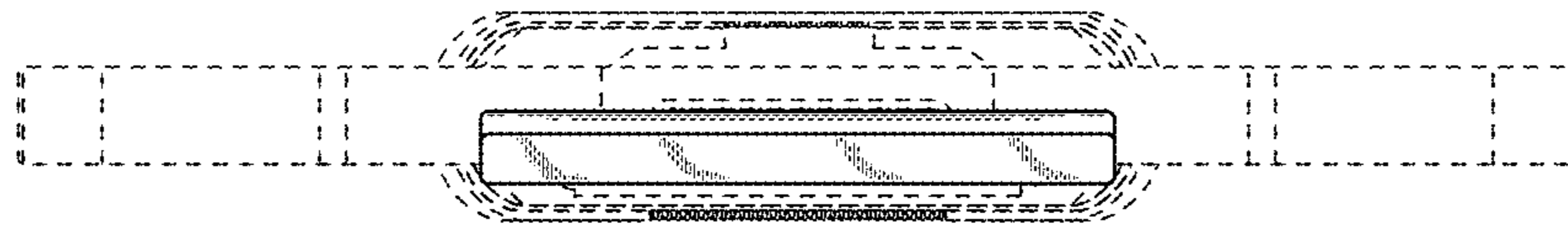


FIG. 7

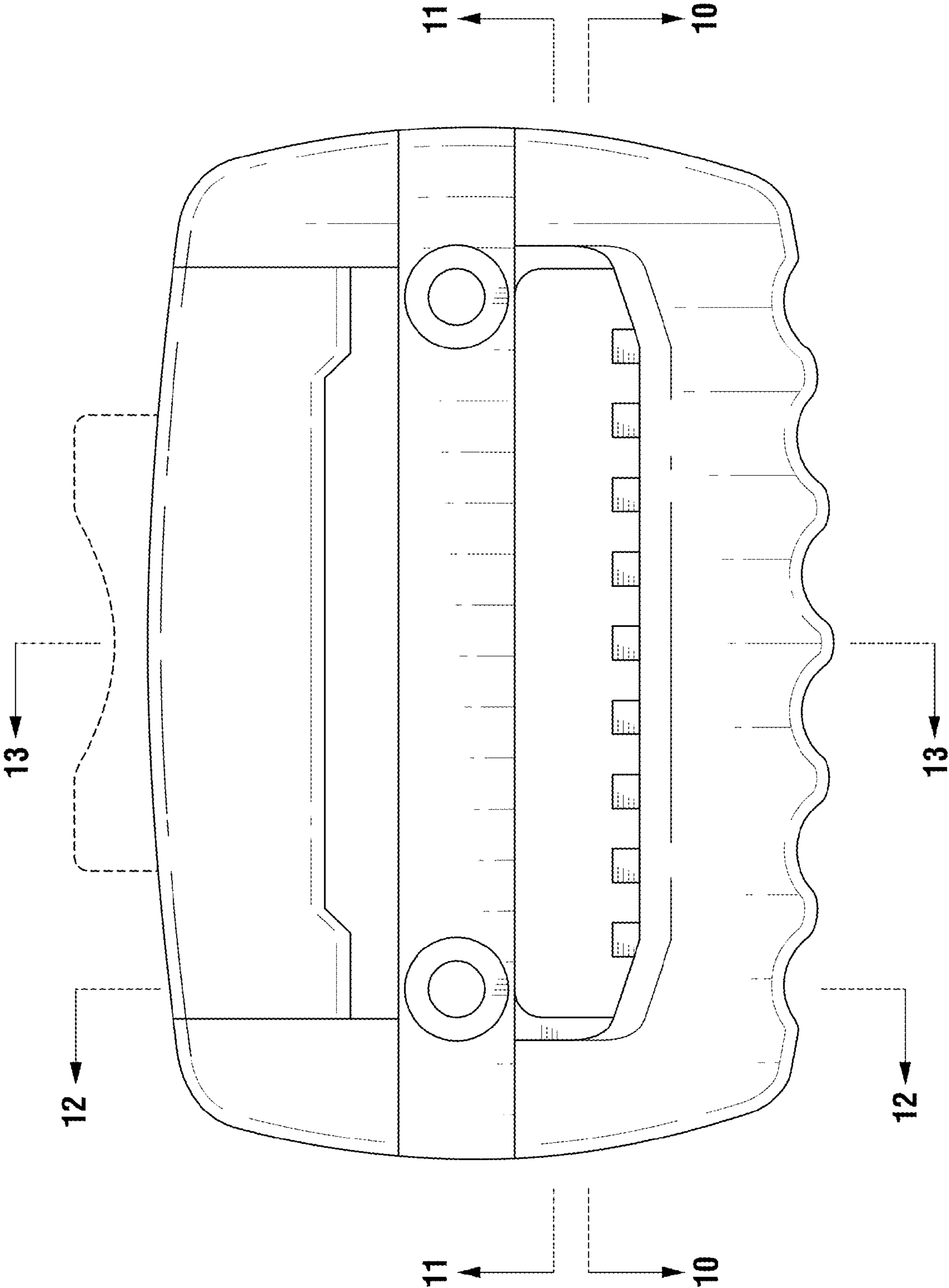


FIG. 8

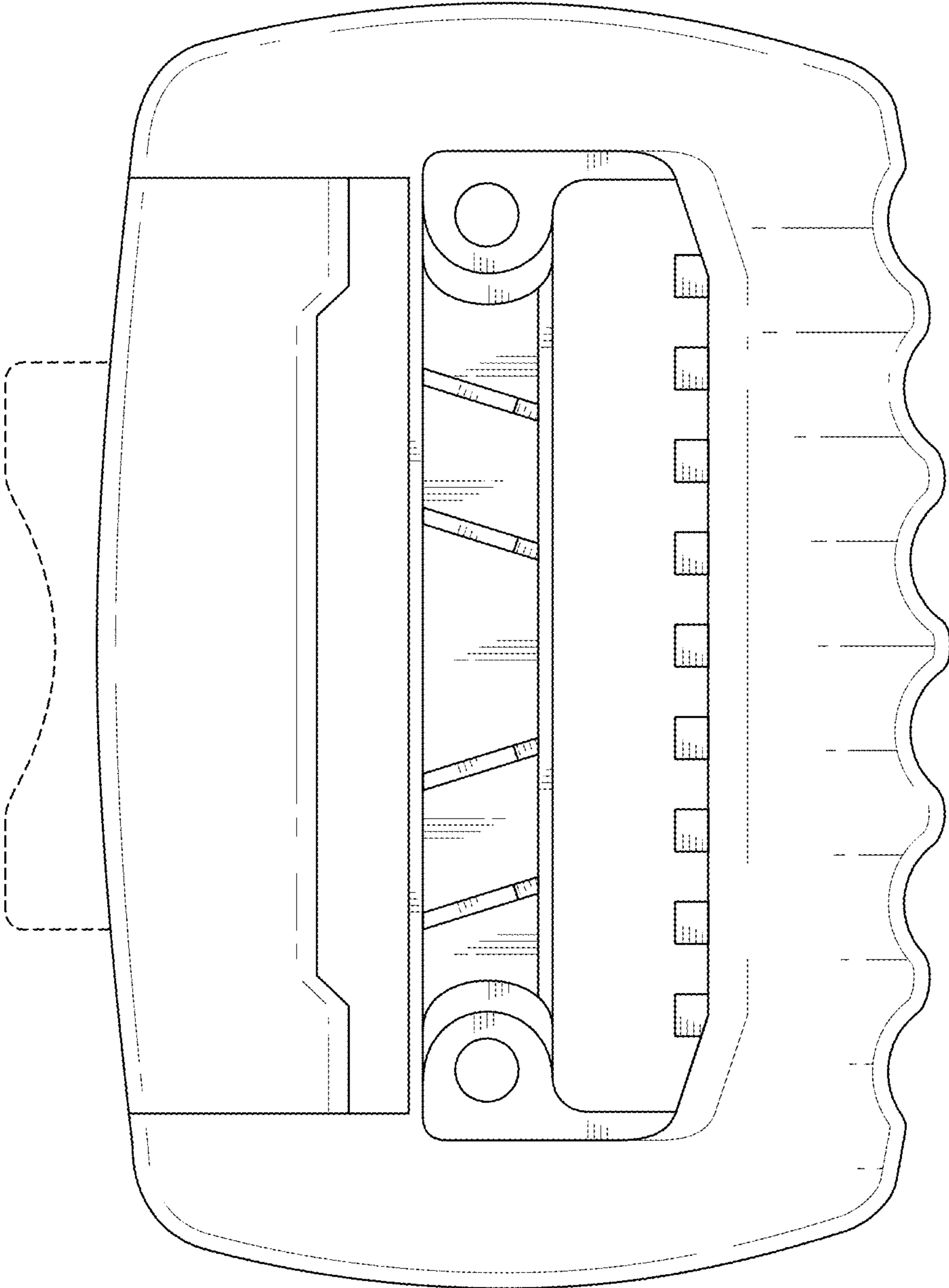


FIG. 9

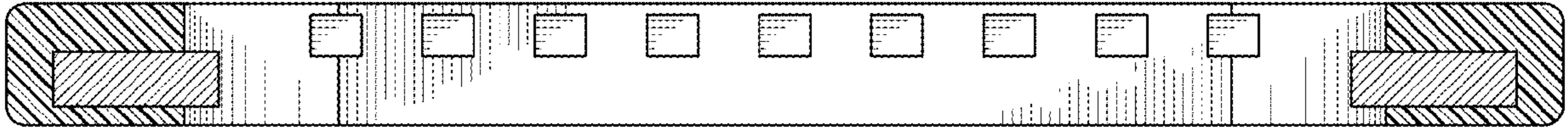


FIG. 10

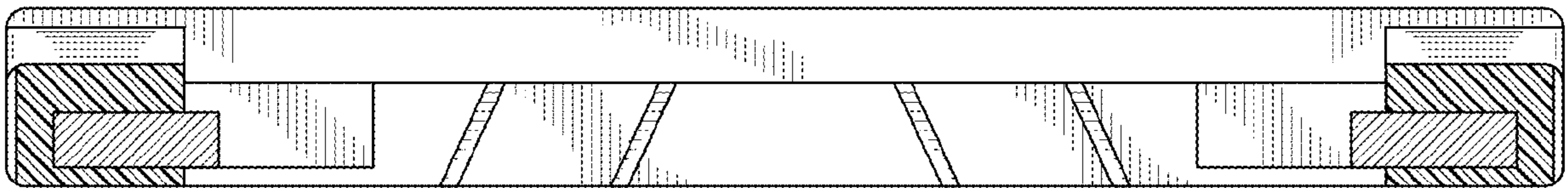


FIG. 11



FIG. 12

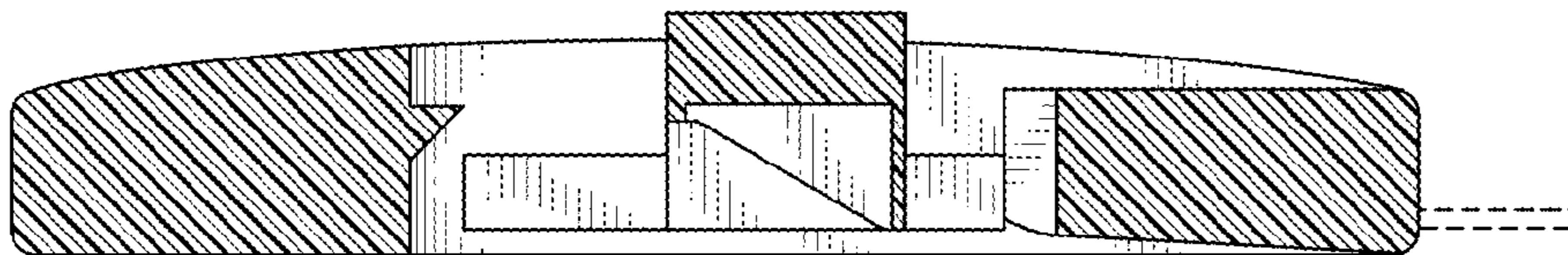


FIG. 13