

US00D938592S

(12) **United States Design Patent** (10) **Patent No.:** **US D938,592 S**
Bambury et al. (45) **Date of Patent:** **** Dec. 14, 2021**

(54) **IMPLANT** 5,891,146 A * 4/1999 Simon A61B 17/863
606/71
(71) Applicant: **Signum Surgical Limited**, Galway (IE) 6,689,153 B1 * 2/2004 Skiba A61B 17/0401
606/230
(72) Inventors: **Eoin Bambury**, Galway (IE); **Moshe Zilversmit**, Campbell, CA (US);
Ciaran O’Sullivan, County Galway (IE) D588,700 S * 3/2009 Anitua Aldecoa D24/156
D628,292 S * 11/2010 Berberich D24/145
D653,344 S * 1/2012 Bar-Shalom D24/156
D728,892 S * 5/2015 Rogers D1/125
D765,855 S * 9/2016 Ben-Yehuda D24/156
9,757,119 B2 * 9/2017 Norton A61B 17/0401
D816,469 S * 5/2018 Toomey D8/387
D835,787 S * 12/2018 Radocy D24/155
(**) Term: **15 Years** 2012/0158137 A1 * 6/2012 Pinczewski A61F 2/0811
623/13.14

(21) Appl. No.: **29/717,837**

(22) Filed: **Dec. 19, 2019**

(30) **Foreign Application Priority Data**

Jun. 20, 2019 (EP) 006586855-0001
Jun. 20, 2019 (EP) 006586855-0002
Jun. 20, 2019 (EP) 006586855-0003

(51) **LOC (13) Cl.** **24-02**

(52) **U.S. Cl.**
USPC **D24/156**

(58) **Field of Classification Search**
USPC D24/156
CPC A61C 8/00; A61C 8/0089; A61C 8/0069;
A61C 8/0054; A61C 8/0096; A61C
8/0039; A61C 8/0063; A61C 8/006; A61C
8/0001; A61C 8/0012; A61C 8/0075;
A61C 8/0083; A61C 13/225

See application file for complete search history.

(56) **References Cited**

U.S. PATENT DOCUMENTS

4,927,421 A * 5/1990 Goble A61F 2/0811
606/232
5,443,509 A * 8/1995 Boucher A61B 17/8625
606/60

* cited by examiner

Primary Examiner — Charles D Hanson

(74) *Attorney, Agent, or Firm* — Bookoff McAndrews, PLLC

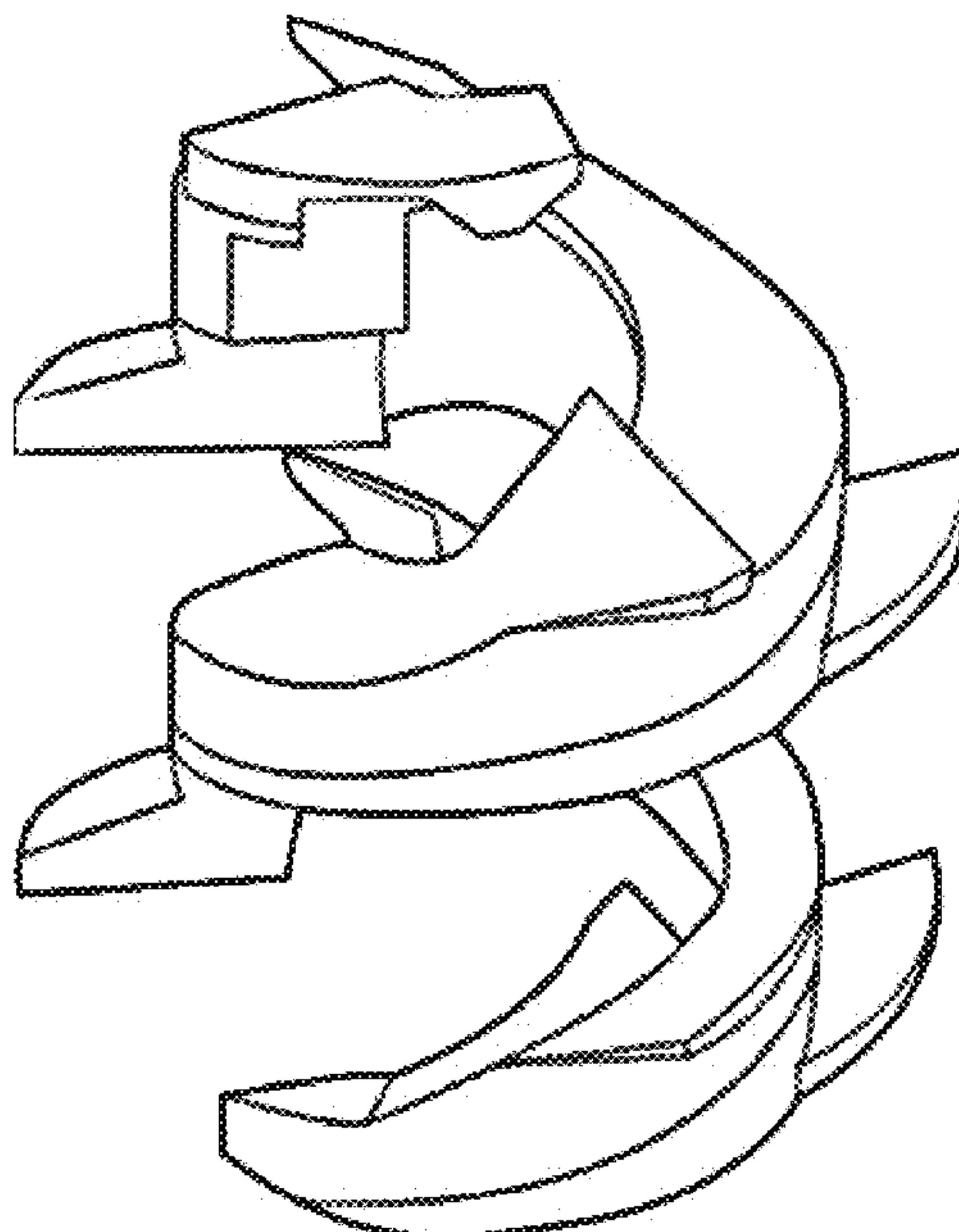
(57) **CLAIM**

The ornamental design for an implant, as shown and described.

DESCRIPTION

FIG. 1 is a top perspective view of an embodiment of an implant showing our new design;
FIG. 2 is a side view thereof;
FIG. 3 is a bottom perspective view thereof;
FIG. 4 is a rotated side view thereof;
FIG. 5 is a further rotated side view thereof;
FIG. 6 is a further rotated side view thereof;
FIG. 7 is a top view thereof; and,
FIG. 8 is a bottom view thereof.

1 Claim, 8 Drawing Sheets



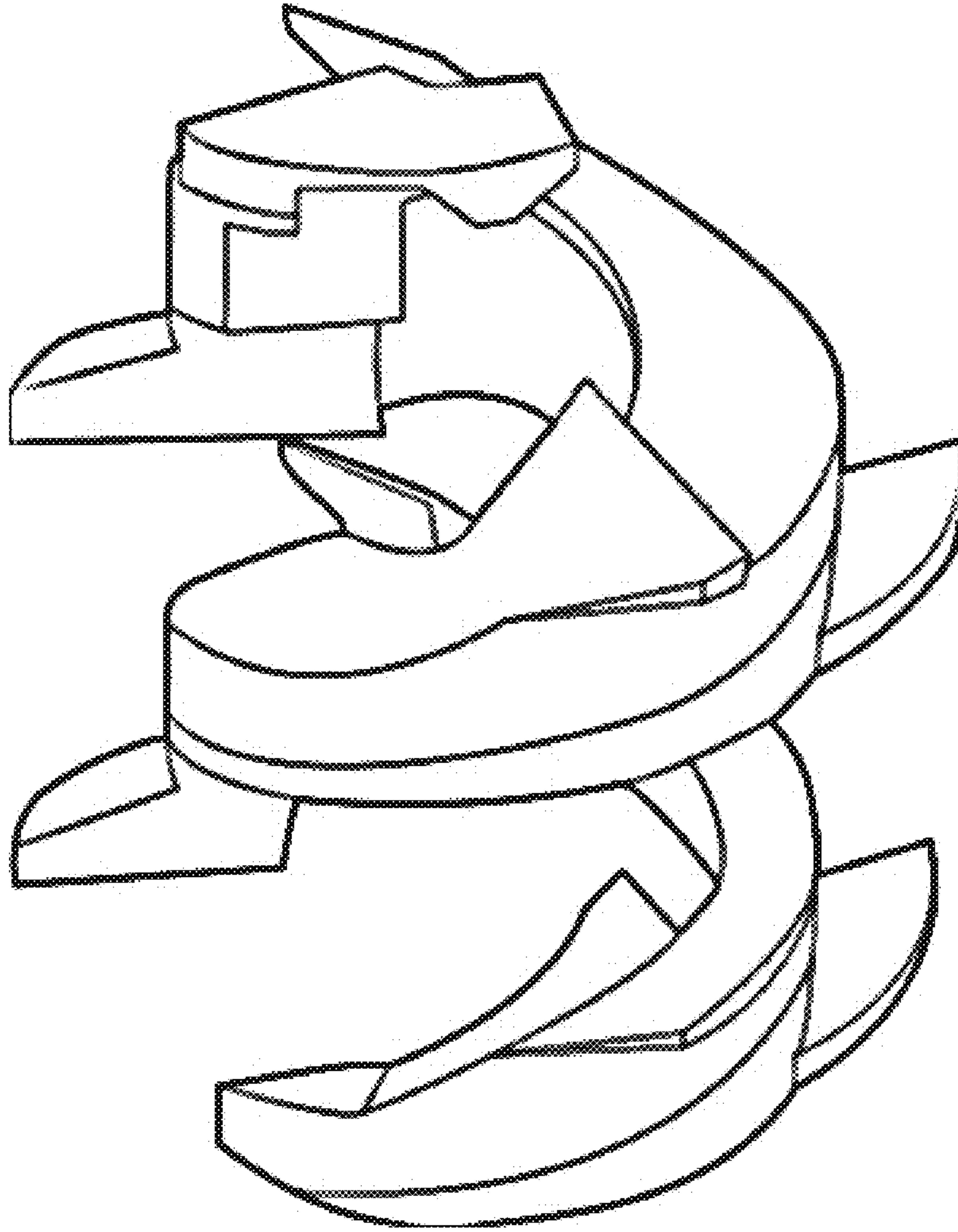


FIG. 1

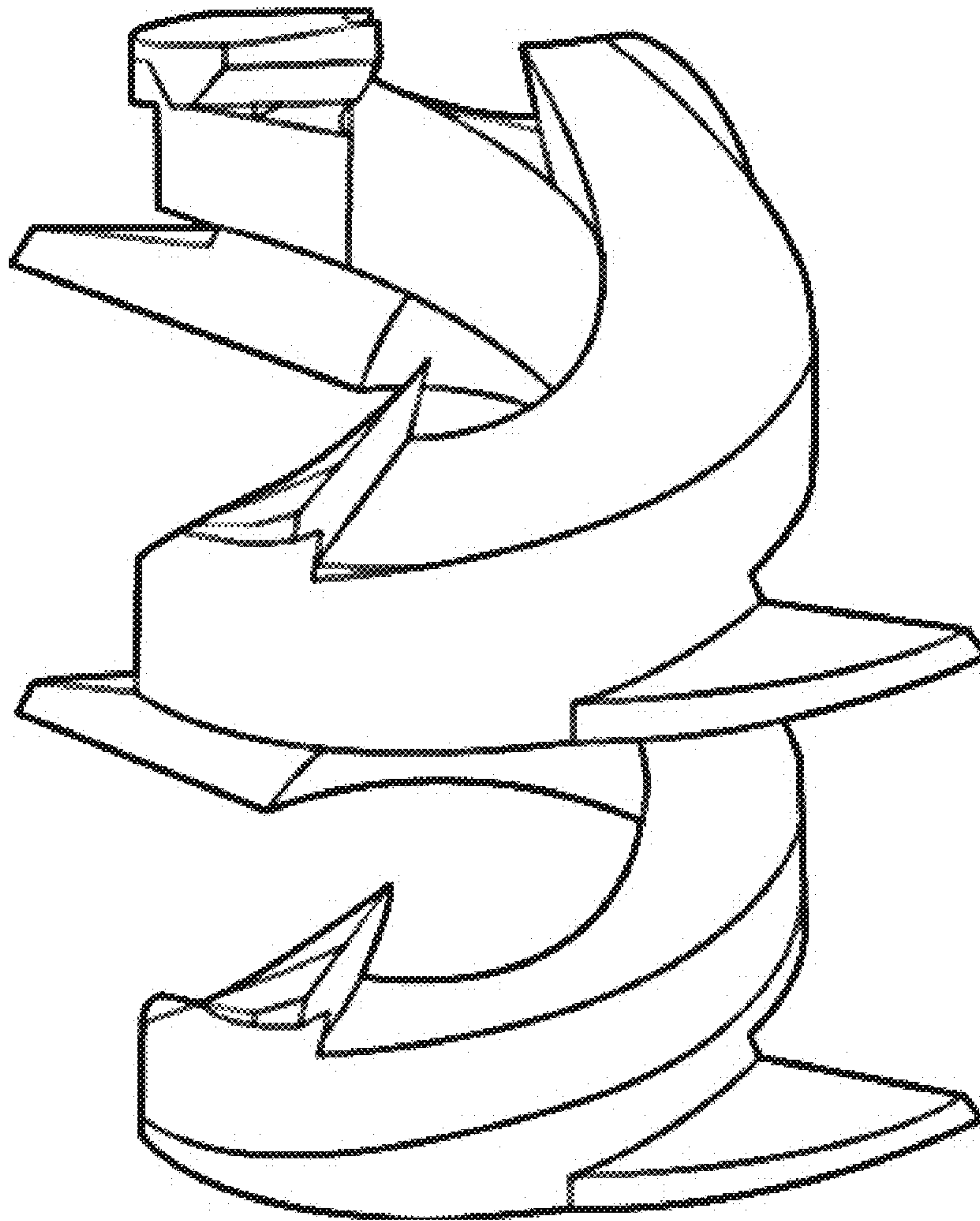


FIG. 2

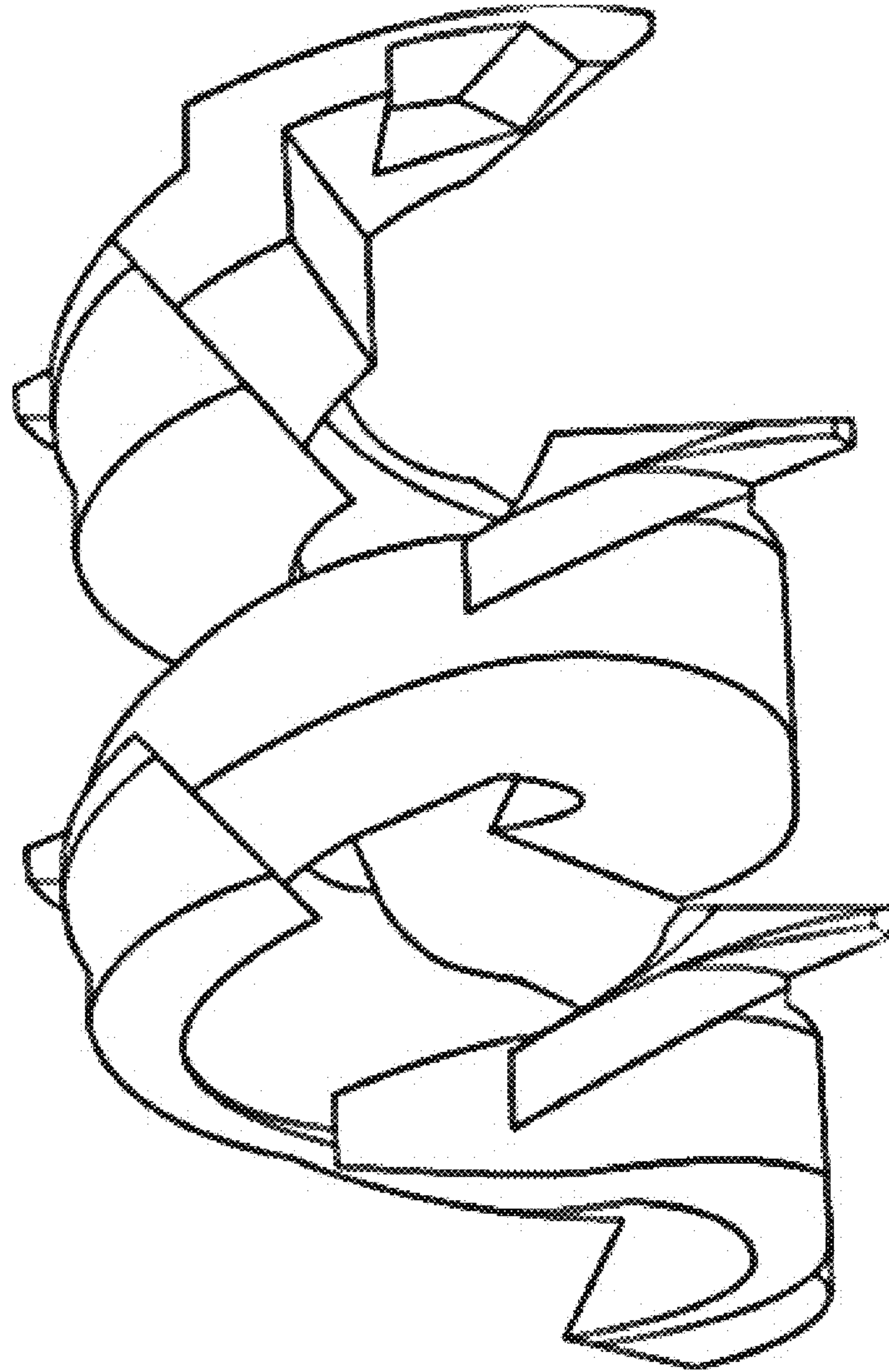


FIG. 3

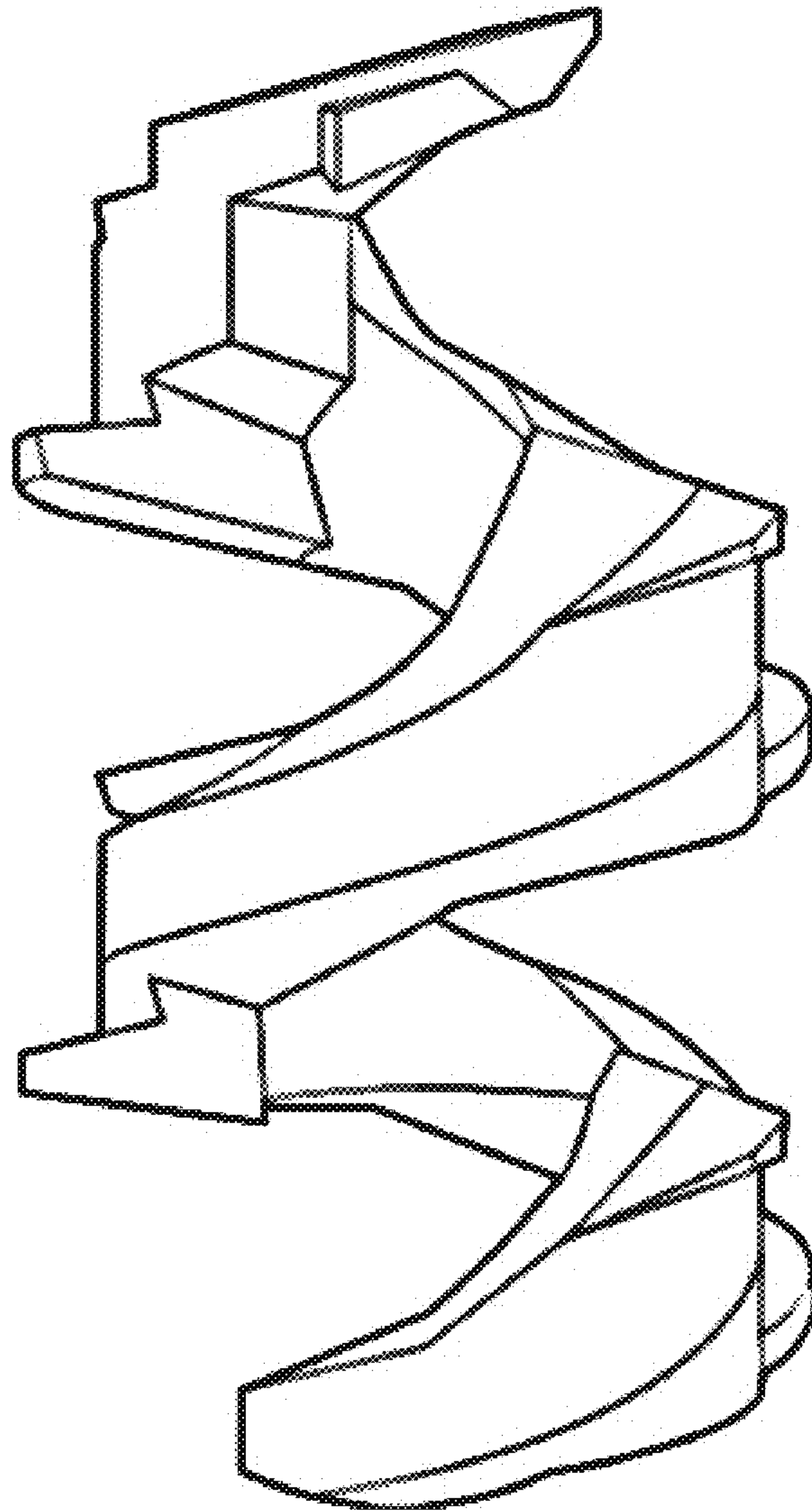


FIG. 4

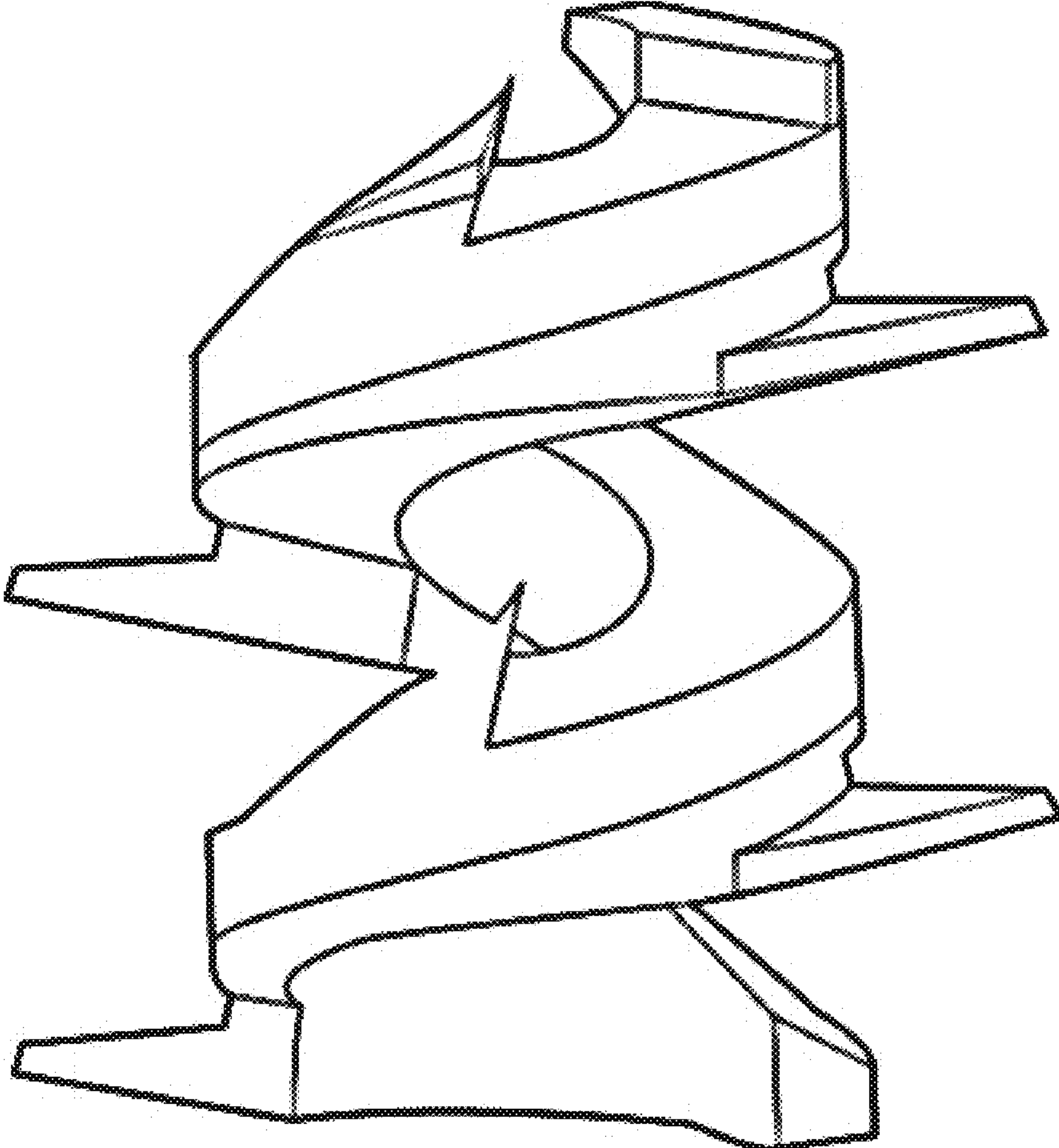


FIG. 5

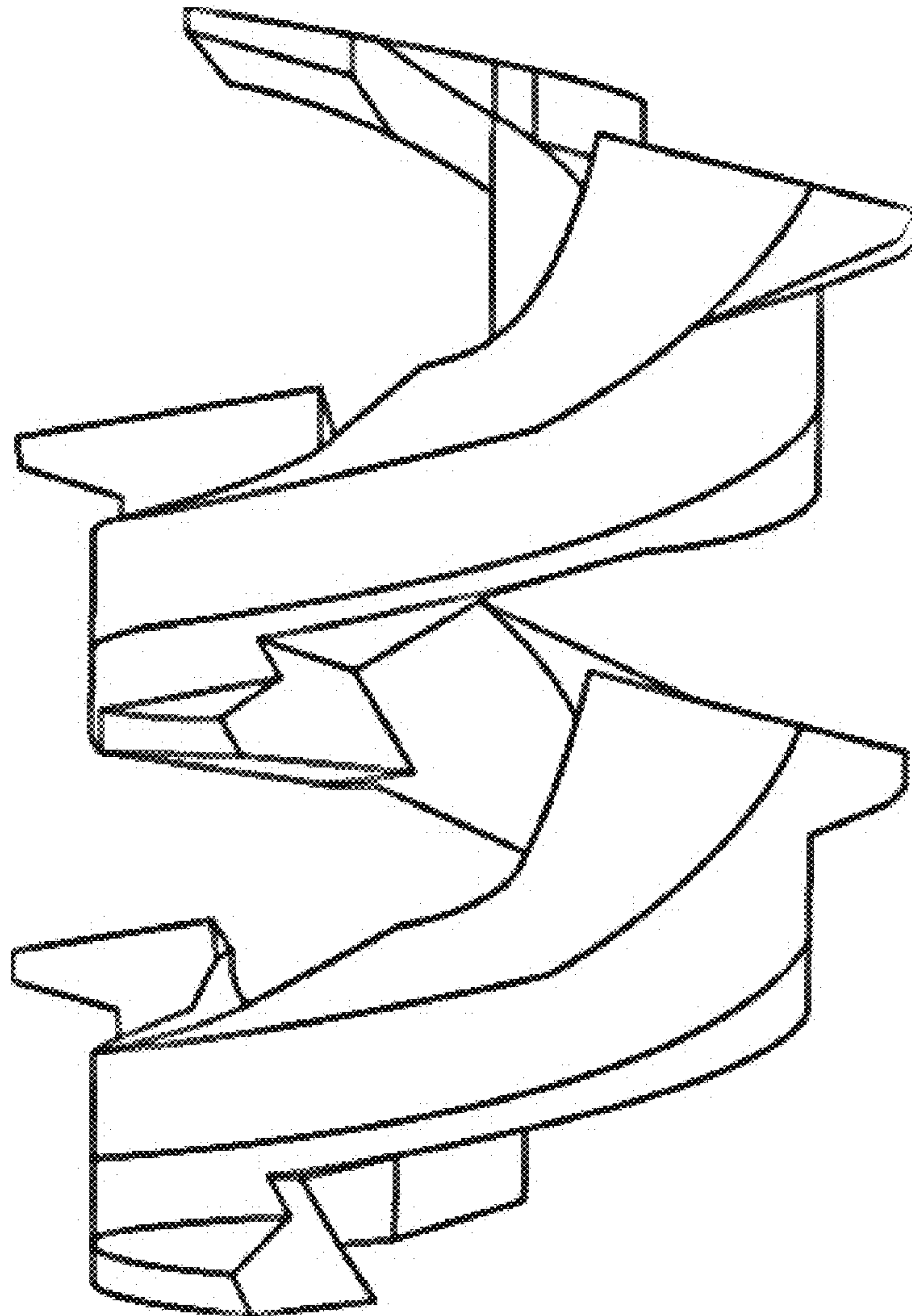


FIG. 6

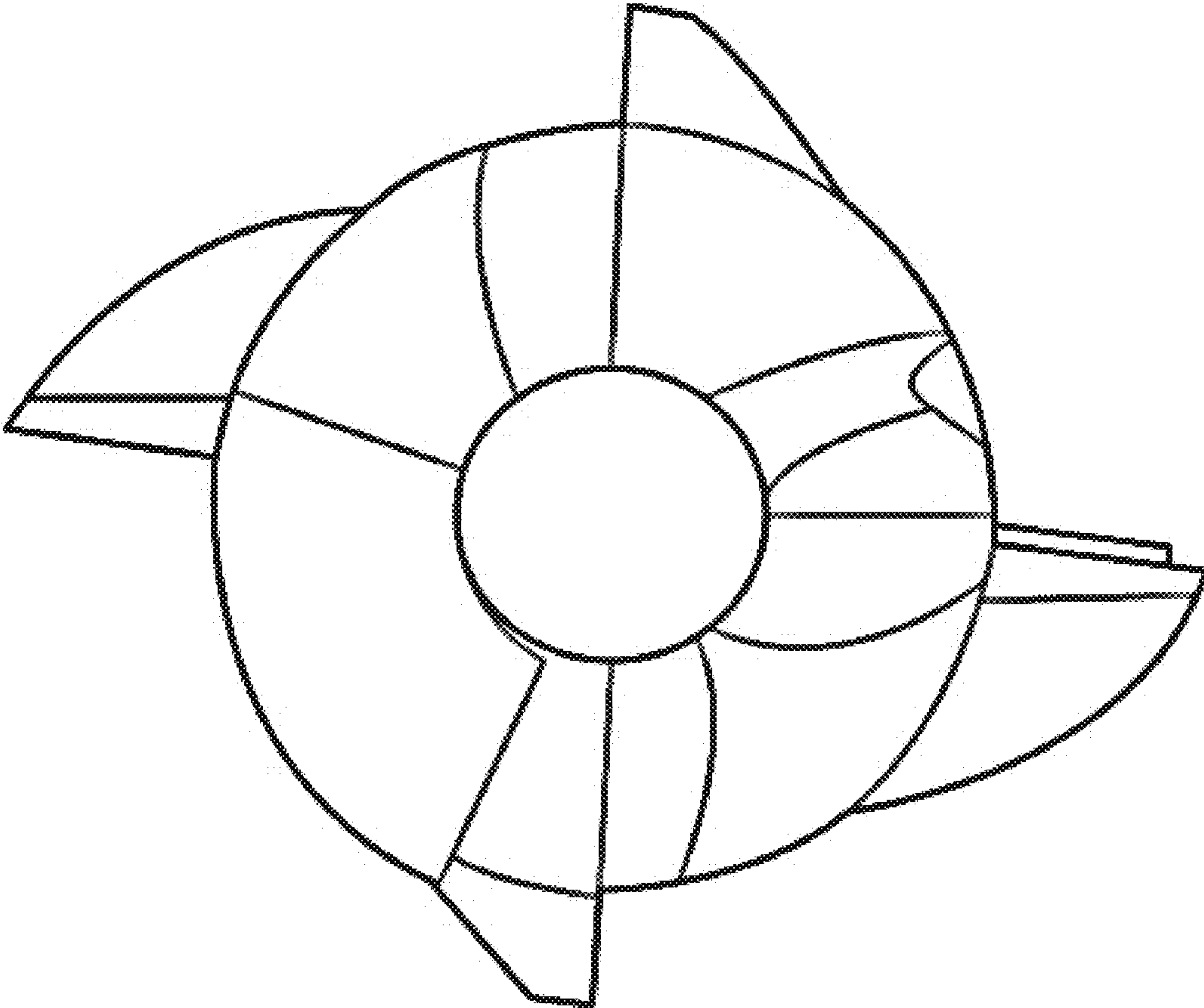


FIG. 7

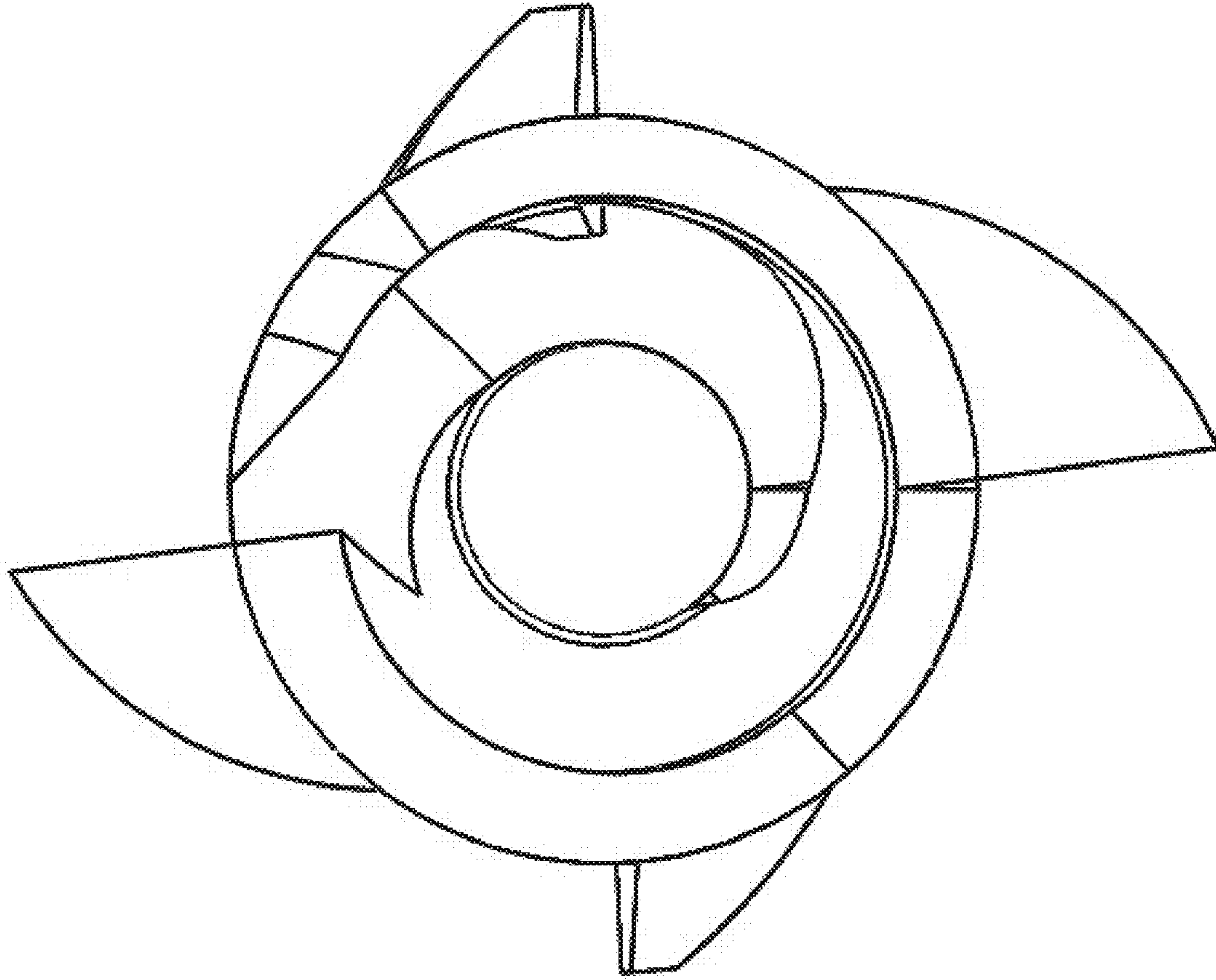


FIG. 8