



US00D938584S

(12) **United States Design Patent** (10) **Patent No.:** **US D938,584 S**
Harris et al. (45) **Date of Patent:** **** Dec. 14, 2021**

(54) **HAND PIECE**

(71) Applicant: **Infinite Arthroscopy, Inc. Limited**,
Cleveland Heights, OH (US)

(72) Inventors: **Christopher Alan Harris**, Somerville,
MA (US); **Steve Latham**, Sun Prairie,
WI (US); **Craig Patrick Conner**,
Madison, WI (US); **Cory Boudreau**,
Lake Mills, WI (US); **Ilya Malinskiy**,
Cleveland Heights, OH (US); **Eugene
Malinskiy**, Mayfield Heights, OH (US);
Daniel Joseph Dudley, Cleveland, OH
(US); **Abigail Baldwin Mansfield**,
Cleveland, OH (US); **Laimis
Kazimieras Belzinskas**, Kirtland, OH
(US); **Daniel Alan Nelson**, Akron, OH
(US); **Patrick Joseph Polito**,
Cleveland, OH (US); **Danielle
Elizabeth Filipkowski**, Strongsville,
OH (US)

(73) Assignee: **Lazurite Holdings LLC**, Cleveland,
OH (US)

(**) Term: **15 Years**

(21) Appl. No.: **29/729,792**

(22) Filed: **Mar. 30, 2020**

(51) **LOC (13) Cl.** **24-02**

(52) **U.S. Cl.**
USPC **D24/133**

(58) **Field of Classification Search**
USPC D24/144, 138, 133, 147
CPC A61B 1/045; A61B 1/00; A61B 1/00052
See application file for complete search history.

(56) **References Cited**

U.S. PATENT DOCUMENTS

5,178,616 A 1/1993 Uemiya et al.
5,311,859 A 5/1994 Monroe et al.

5,879,289 A 3/1999 Yarush et al.
6,007,255 A 12/1999 Krauter
6,449,006 B1 9/2002 Shipp
6,494,826 B1 12/2002 Chatenever et al.
(Continued)

FOREIGN PATENT DOCUMENTS

CN 101821866 A 9/2010
CN 104603530 A 6/2015
(Continued)

OTHER PUBLICATIONS

International Search Report and Written Opinion of the International Searching Authority, dated Apr. 26, 2018, for International Application No. PCT/US2018/018172.
(Continued)

Primary Examiner — Wan Laymon
(74) *Attorney, Agent, or Firm* — Dennemeyer & Associates, LLC; Victoria Friedman

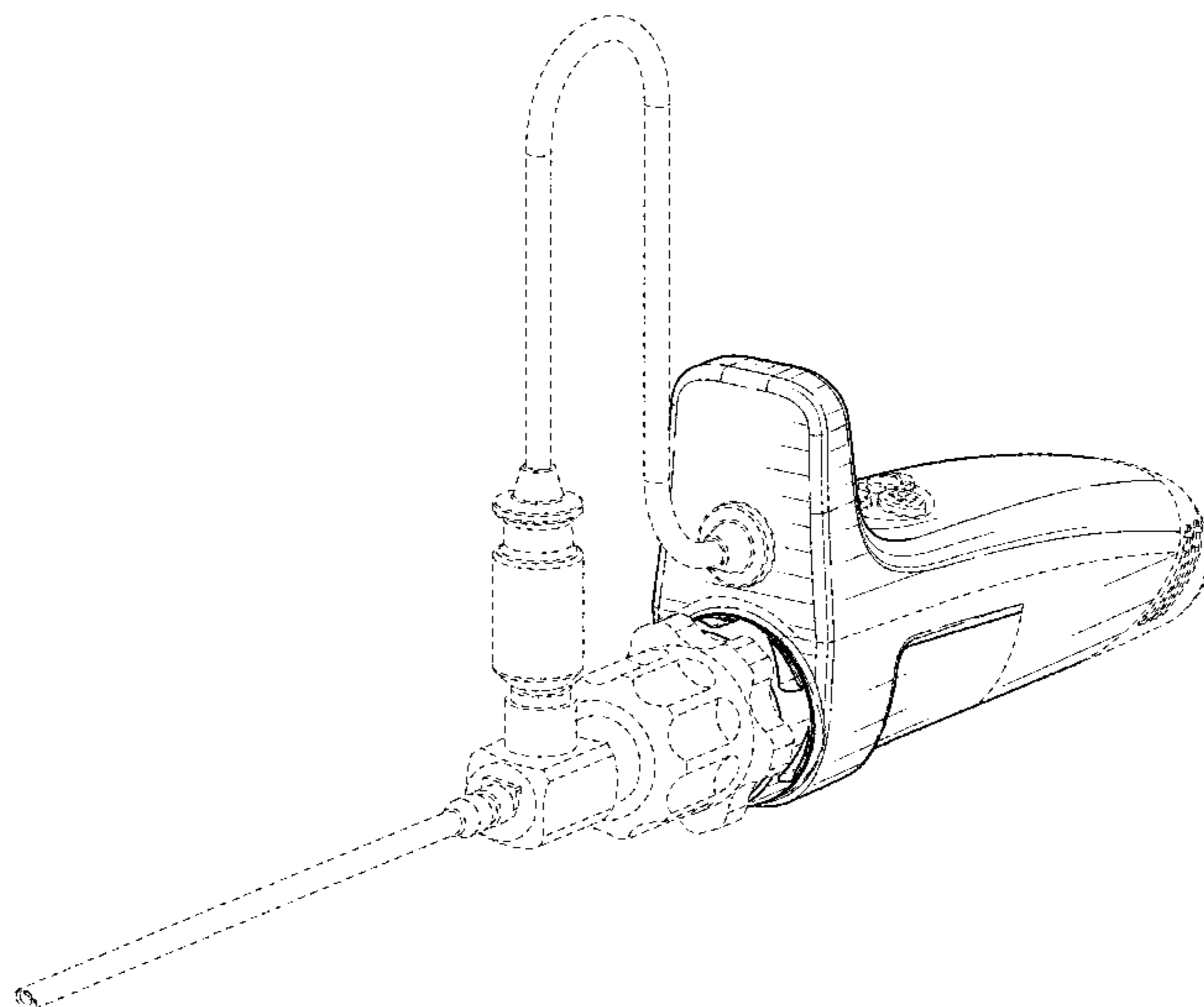
(57) **CLAIM**

The ornamental design for a hand piece, as shown and described.

DESCRIPTION

FIG. 1 is a top, left-side perspective view of a hand piece showing our new design;
FIG. 2 is a front elevational view thereof;
FIG. 3 is a rear elevational view thereof;
FIG. 4 is a left-side elevational view thereof;
FIG. 5 is a right-side elevational view thereof;
FIG. 6 is a top plan view thereof; and,
FIG. 7 is a bottom plan view thereof.
The broken lines immediately adjacent the shaded areas represent the bounds of the claimed design, while all other broken lines are directed to unclaimed portions; the broken lines form no part of the claimed design.

1 Claim, 6 Drawing Sheets



(56)

References Cited

U.S. PATENT DOCUMENTS

6,806,681 B1 10/2004 Cheiky
 7,091,653 B2 8/2006 Ouderkirk et al.
 7,091,661 B2 8/2006 Ouderkirk
 7,193,248 B2 3/2007 Weindorf et al.
 7,394,188 B2 7/2008 Ouderkirk et al.
 7,442,167 B2 10/2008 Dunki-Jacobs et al.
 7,513,669 B2 4/2009 Chua et al.
 7,553,683 B2 6/2009 Martin et al.
 7,668,450 B2 2/2010 Todd
 7,724,412 B2 5/2010 Powell
 7,777,243 B2 8/2010 Lin et al.
 7,786,879 B2 8/2010 Lax
 7,798,692 B2 9/2010 Krupa
 D628,290 S * 11/2010 Romero D24/133
 7,837,348 B2 11/2010 Narendran et al.
 7,839,072 B2 11/2010 Horiuchi et al.
 D631,155 S * 1/2011 Peine D24/133
 D638,540 S * 5/2011 Ijiri D24/133
 D640,789 S * 6/2011 Peine D24/133
 8,029,439 B2 10/2011 Todd
 8,083,364 B2 12/2011 Allen
 8,088,304 B2 1/2012 Winkler et al.
 8,128,557 B2 3/2012 Scholly et al.
 8,142,051 B2 3/2012 Ducharme
 8,395,312 B2 3/2013 Hum
 8,436,388 B2 5/2013 Lim et al.
 8,519,609 B2 8/2013 Winkler et al.
 8,545,396 B2 10/2013 Cover et al.
 8,558,880 B2 10/2013 Nambakam et al.
 8,562,161 B2 10/2013 Tong et al.
 8,585,273 B2 11/2013 Pokrovskiy et al.
 8,622,893 B2 1/2014 Mathieu
 8,625,097 B2 1/2014 Brukilacchio
 8,632,196 B2 1/2014 Tong et al.
 D700,323 S * 2/2014 Affonce D24/144
 D700,324 S * 2/2014 Affonce D24/144
 8,748,921 B2 6/2014 Martin et al.
 8,810,126 B2 8/2014 Ito
 8,827,888 B2 9/2014 Bolyard
 8,841,146 B2 9/2014 Yen et al.
 8,882,284 B2 11/2014 Tong et al.
 8,928,219 B2 1/2015 Chan et al.
 8,946,982 B2 2/2015 Winkler et al.
 9,147,814 B2 9/2015 Waragaya
 9,217,544 B2 12/2015 Tong et al.
 9,217,545 B2 12/2015 Ito
 9,287,469 B2 3/2016 Chakraborty
 9,303,830 B2 4/2016 Ito
 9,316,361 B2 4/2016 Tong et al.
 9,382,472 B2 7/2016 Hefner, Jr. et al.
 9,383,496 B2 7/2016 Parker et al.
 9,404,637 B2 8/2016 Aeling et al.
 9,464,224 B2 10/2016 Deshpande et al.
 9,500,325 B2 11/2016 Tong et al.
 9,551,468 B2 1/2017 Jones
 9,553,230 B2 1/2017 Yoshida et al.
 9,587,791 B2 3/2017 Ito
 9,611,987 B2 4/2017 Kelchner et al.
 9,677,719 B2 6/2017 He et al.
 D803,396 S * 11/2017 Oberkircher D24/133
 10,610,089 B2 * 4/2020 Malinskiy A61B 1/045
 D895,112 S * 9/2020 Miller D24/144
 10,932,658 B2 * 3/2021 Malinskiy A61B 1/045
 2002/0120181 A1 8/2002 Irion
 2003/0156430 A1 8/2003 Ota
 2005/0006659 A1 1/2005 Ng et al.
 2005/0093430 A1 5/2005 Ibbetson et al.
 2005/0116635 A1 6/2005 Ito
 2006/0145599 A1 7/2006 Reza et al.
 2006/0171693 A1 8/2006 Todd et al.
 2006/0226759 A1 10/2006 Masuda et al.
 2007/0086205 A1 4/2007 Krupa
 2007/0267967 A1 11/2007 Soshchin
 2008/0048200 A1 2/2008 Mueller et al.
 2008/0183028 A1 7/2008 Garcia et al.

2008/0261528 A1 10/2008 Rosenblatt
 2009/0034230 A1 2/2009 Lim et al.
 2009/0040523 A1 2/2009 Brukilacchio
 2009/0076328 A1 3/2009 Root et al.
 2009/0151785 A1 6/2009 Soshchin et al.
 2010/0033075 A1 2/2010 Soshchin et al.
 2010/0061077 A1 3/2010 Winkler et al.
 2010/0172148 A1 7/2010 Komazaki et al.
 2010/0298711 A1 11/2010 Pedersen
 2011/0069490 A1 3/2011 Liu
 2011/0157865 A1 6/2011 Takashi
 2011/0172492 A1 7/2011 Erikawa
 2011/0208004 A1 8/2011 Feingold
 2011/0227102 A1 9/2011 Hussell et al.
 2011/0261183 A1 10/2011 Ma et al.
 2012/0029289 A1 2/2012 Kucklick
 2012/0051075 A1 3/2012 Harada et al.
 2012/0071710 A1 3/2012 Gazdzinski
 2012/0116369 A1 5/2012 Viola
 2013/0027962 A1 1/2013 Takashi
 2013/0100264 A1 4/2013 Kazakevich et al.
 2013/0139826 A1 6/2013 Swann et al.
 2013/0140983 A1 6/2013 Ling et al.
 2013/0188383 A1 7/2013 Jaffe
 2013/0314893 A1 11/2013 Paquette
 2013/0324794 A1 12/2013 Cover et al.
 2013/0334546 A1 12/2013 Wagenblast et al.
 2014/0183584 A1 7/2014 Tong et al.
 2014/0221740 A1 8/2014 Kawula et al.
 2014/0275763 A1 9/2014 King
 2014/0320677 A1 10/2014 Jarvenpaa
 2015/0077972 A1 3/2015 Sugiyama et al.
 2015/0115302 A1 4/2015 Eder et al.
 2015/0130935 A1 5/2015 Siann
 2015/0157188 A1 6/2015 Moskowitz et al.
 2015/0182118 A1 7/2015 Bradbury et al.
 2015/0184830 A1 7/2015 Nagao et al.
 2015/0362828 A1 12/2015 Patel et al.
 2016/0004147 A1 1/2016 Hu et al.
 2016/0018100 A1 1/2016 Batt et al.
 2016/0213230 A1 7/2016 Adair et al.
 2016/0248994 A1 8/2016 Liu
 2016/0262597 A1 9/2016 Danchinyu et al.
 2017/0003000 A1 1/2017 Narendran et al.
 2017/0045201 A1 2/2017 Jones
 2018/0245775 A1 8/2018 Malinskiy et al.
 2019/0167074 A1 * 6/2019 Malinskiy A61B 1/042
 2019/0357758 A1 * 11/2019 Malinskiy A61B 1/045
 2020/0146703 A1 * 5/2020 Truckai A61B 1/045
 2020/0187763 A1 * 6/2020 Malinskiy A61B 1/045
 2020/0322538 A1 * 10/2020 Haggerty A61B 1/045
 2021/0137371 A1 * 5/2021 Malinskiy A61B 1/045

FOREIGN PATENT DOCUMENTS

EP 2822111 A1 1/2015
 GB 1542873 A 3/1979
 JP 2006-518939 A 8/2006
 JP 2010-0541295 A 12/2010
 WO 2004068903 A2 8/2004
 WO 2008087243 A1 7/2008
 WO 2009048704 A2 4/2009
 WO 2012016224 A2 2/2012
 WO 2012025179 A1 3/2012
 WO 2013139619 A1 9/2013
 WO 2013139620 A1 9/2013
 WO 2013139675 A1 9/2013
 WO 2015127630 A1 9/2015
 WO 2017031138 A1 2/2017
 WO 2017087448 5/2017
 WO 2018152196 8/2018

OTHER PUBLICATIONS

Extended European Search Report dated Jan. 29, 2019 for European Patent Application No. 16837714.1, 8 pages.
 Notice of Reasons for Rejection dated Feb. 5, 2019 for Japanese Patent Application No. 2018-509824, 10 pages.

(56)

References Cited

OTHER PUBLICATIONS

First Notification of Office Action dated Dec. 26, 2018 for Chinese Patent Application No. 201680048579.6, 5 pages.

Search Report for Chinese Patent Application No. 201680048579.6, 2 pages.

3rd Chinese Office Action dated Apr. 1, 2020 for Chinese Patent Application No. 201680048579.6, 8 pages.

International Search Report and Written Opinion dated Jul. 21, 2020 for International Patent Application No. PCT/US2020/028505, 9 pages.

Japanese Office Action dated Jun. 18, 2019 for Japanese Application No. 2018509824, 12 pages.

International Search Report and Written Opinion issued in Application No. PCT/US2016/047235 dated Oct. 28, 2016, 11 pages.

International Search Report and Written Opinion issued in International Application No. PCT/US2016/062157 dated Feb. 3, 2017; 15 pages.

* cited by examiner

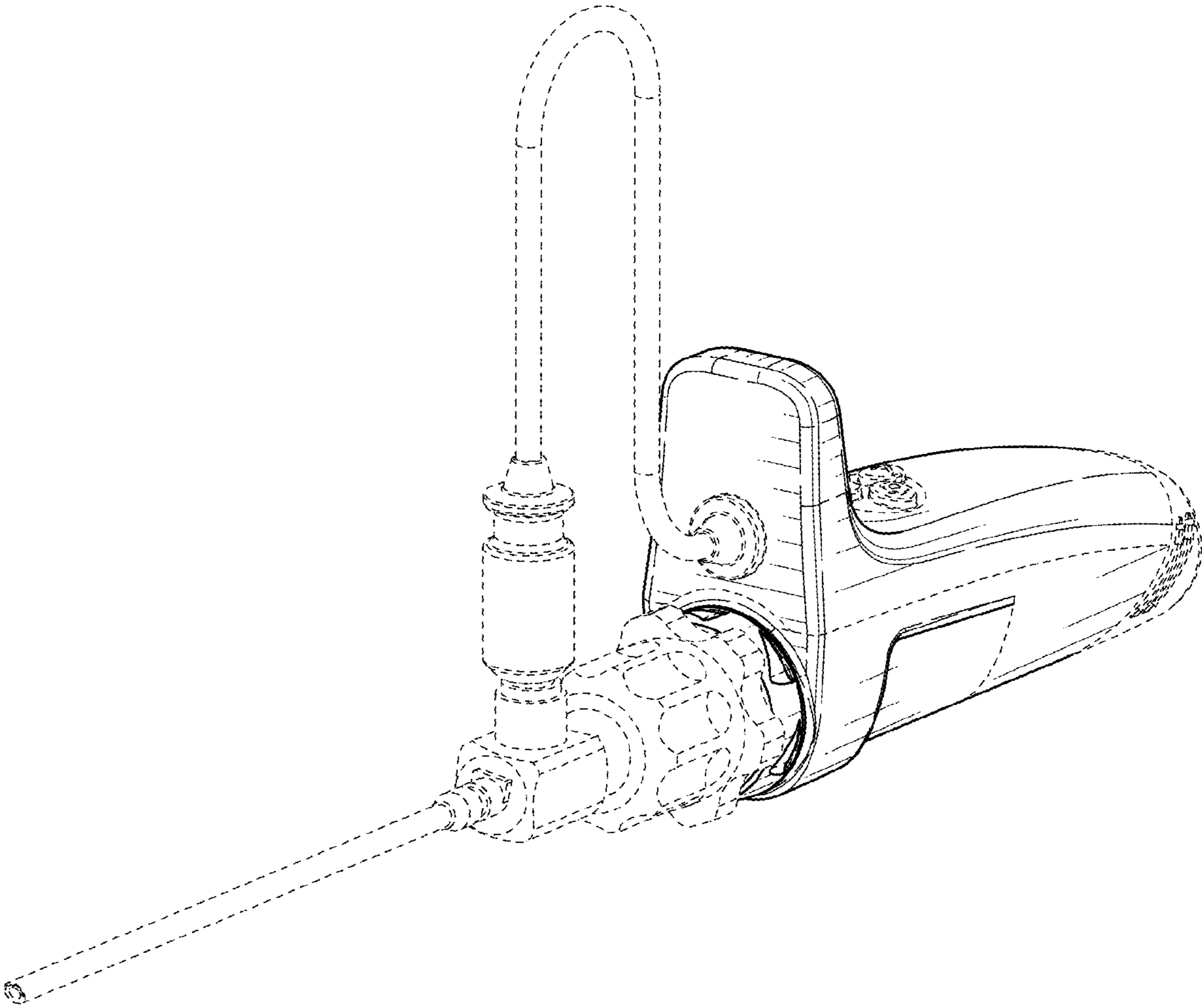


FIG. 1

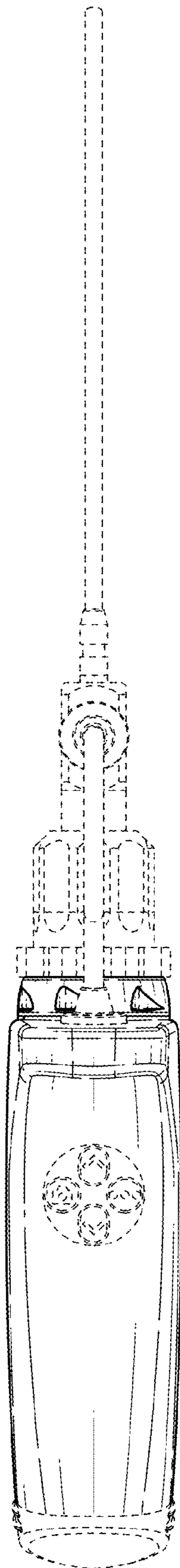


FIG. 2

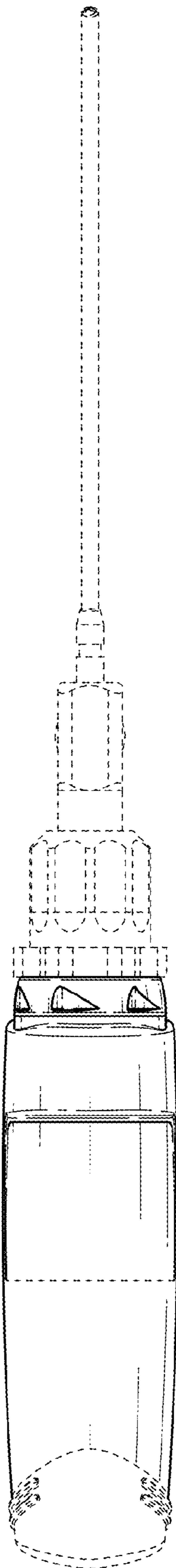


FIG. 3

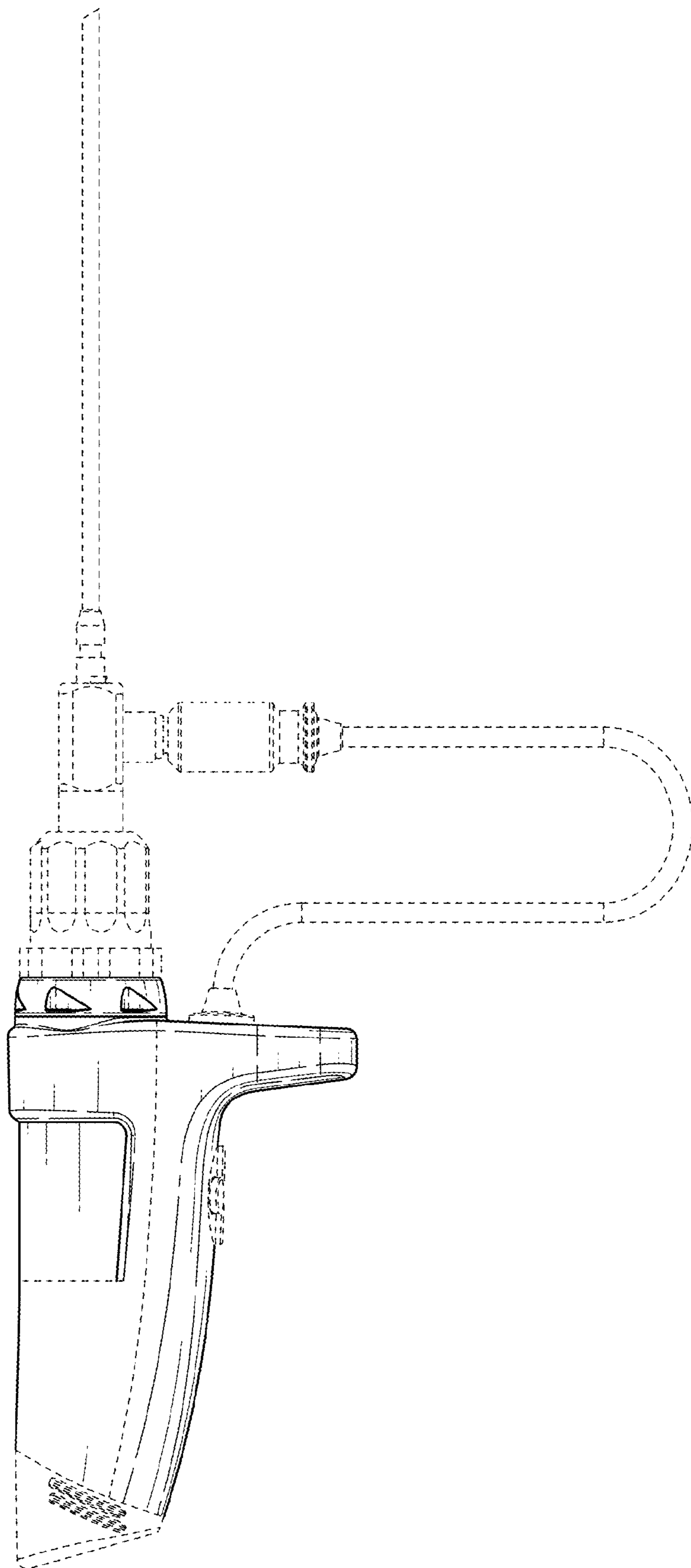


FIG. 4

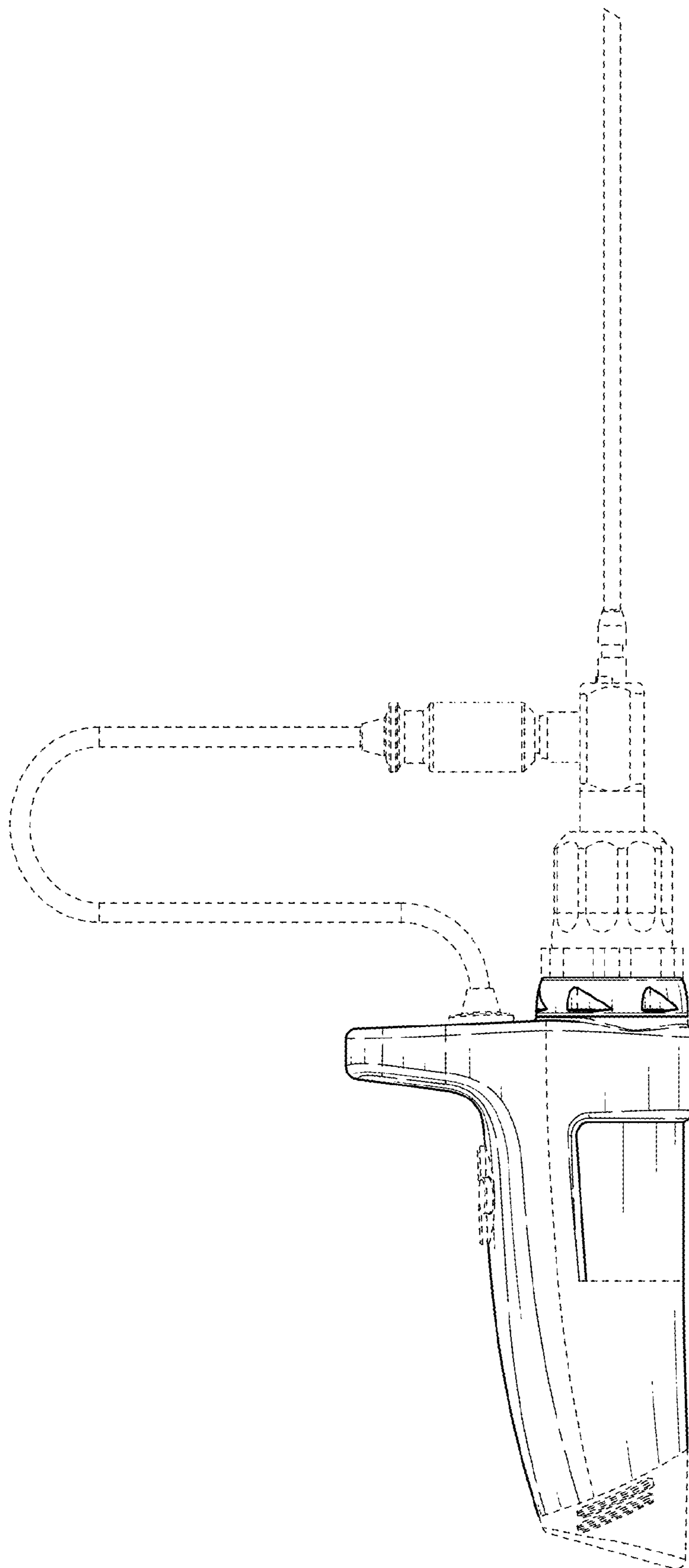


FIG. 5

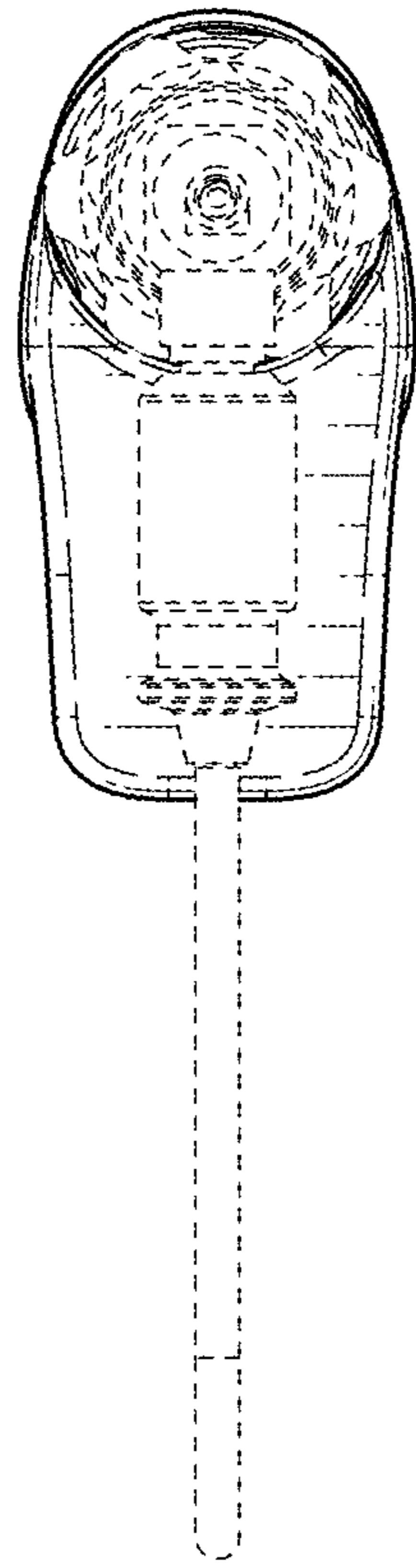


FIG. 6

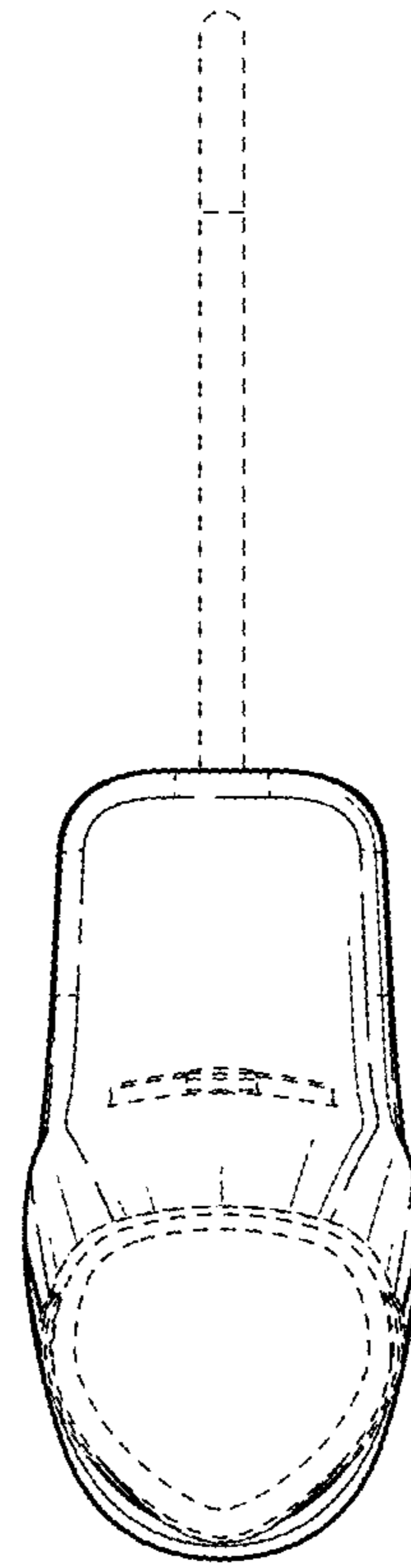


FIG. 7