



US00D938583S

(12) **United States Design Patent**
Yan et al.

(10) **Patent No.:** **US D938,583 S**

(45) **Date of Patent:** **** Dec. 14, 2021**

(54) **STENT DELIVERY DEVICE**

(71) Applicant: **Yipurun (Shanghai) Biotechnology Co., Ltd.**, Shanghai (CN)

(72) Inventors: **Wei Yan**, Shanghai (CN); **Peipei Xia**, Shanghai (CN); **Rui Yang**, Shanghai (CN); **Zheng Wei**, Shanghai (CN)

(73) Assignee: **Yipurun (Shanghai) Biotechnology Co., Ltd.**, Shanghai (CN)

(**) Term: **15 Years**

(21) Appl. No.: **29/701,459**

(22) Filed: **Aug. 12, 2019**

(30) **Foreign Application Priority Data**

Feb. 15, 2019 (CN) 201930065468.2

(51) **LOC (13) Cl.** **24-02**

(52) **U.S. Cl.**
USPC **D24/133**

(58) **Field of Classification Search**
USPC D24/133, 140, 146, 150, 155, 157, 113,
D24/127; D8/308, 315, 316, 318, 319,
D8/320
CPC A61F 9/0017; A61F 9/00781; A61F 9/008;
A61F 9/00709; A61F 9/00736; A61F 2/14
See application file for complete search history.

(56) **References Cited**

U.S. PATENT DOCUMENTS

- 5,800,517 A * 9/1998 Anderson A61F 2/958
604/171
- D402,030 S * 12/1998 Roberts D24/144
- D402,031 S * 12/1998 Roberts D24/144
- D439,336 S * 3/2001 Najmi D19/902
- D463,555 S * 9/2002 Etter D24/143

- D469,870 S * 2/2003 Niermann D24/112
- D483,475 S * 12/2003 Kirwan D24/108
- D490,152 S * 5/2004 Myall D24/133
- D492,995 S * 7/2004 Rue D24/113
- D496,730 S * 9/2004 Morawski A61B 17/3211
D24/133
- D530,680 S * 10/2006 Fox D13/168
- D535,026 S * 1/2007 Griffin A61B 17/3211
D24/146
- D537,528 S * 2/2007 Christensen A61B 17/3211
D24/147
- D568,475 S * 5/2008 Sandel D24/147
- D571,010 S * 6/2008 Cote A61B 17/3211
D24/147
- D586,916 S * 2/2009 Faulkner D24/146
- D598,070 S * 8/2009 Sneddon D23/228
- D612,051 S * 3/2010 Ruf D24/146

(Continued)

Primary Examiner — T Chase Nelson

Assistant Examiner — Kelly L Gross

(74) *Attorney, Agent, or Firm* — McCarter & English, LLP; Jonathan C. Lovely

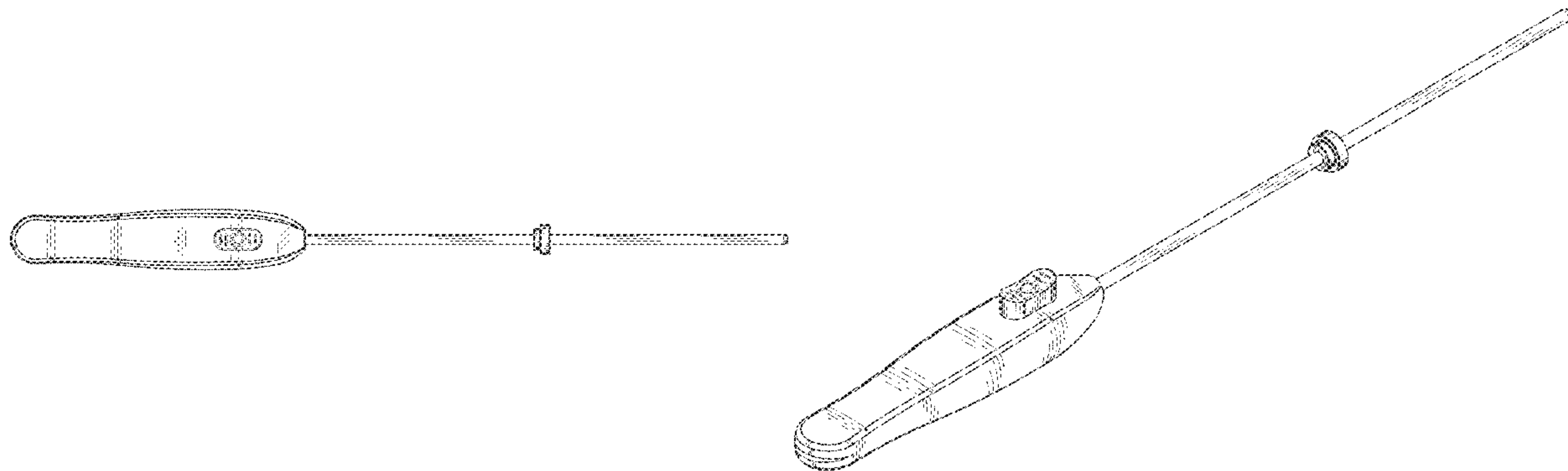
(57) **CLAIM**

The ornamental design for a stent delivery device, as shown and described.

DESCRIPTION

FIG. 1 is a front side elevation view of a stent delivery device embodying my new design; FIG. 2 is a rear side elevation view thereof; FIG. 3 is a left side elevation view thereof; FIG. 4 is a right side elevation view thereof; FIG. 5 is a top plan view thereof; FIG. 6 is a bottom plan view thereof; FIG. 7 is a perspective view thereof; and, FIG. 8 is another perspective view thereof. The broken lines shown in the figures depict portions of the stent delivery device that form no part of the claimed design.

1 Claim, 7 Drawing Sheets



(56)

References Cited

U.S. PATENT DOCUMENTS

D616,095 S * 5/2010 Kim D24/140
 D621,042 S * 8/2010 Ruf D24/146
 D628,293 S * 11/2010 Ruf D24/146
 D628,695 S * 12/2010 Ruf D24/146
 D634,843 S * 3/2011 Kim D24/140
 D655,406 S * 3/2012 Ma D24/112
 D665,909 S * 8/2012 Dodd D24/146
 D677,380 S * 3/2013 Julian D24/113
 D678,512 S * 3/2013 Bow D24/112
 D679,014 S * 3/2013 Jayaraj D24/144
 D685,092 S * 6/2013 Morawski A61B 17/3211
 D703,707 S * 4/2014 Foster D15/123
 D719,255 S * 12/2014 Ohashi D24/112
 D719,651 S * 12/2014 Hoffmann D24/133
 D736,923 S * 8/2015 Snow D24/146
 D737,440 S * 8/2015 Shabaz D24/146
 D739,020 S * 9/2015 Kumar D24/147
 D740,422 S * 10/2015 Herfort D24/147
 D740,630 S * 10/2015 Hasenmayer D8/30
 D741,483 S * 10/2015 Solingen D24/146
 9,173,771 B2 * 11/2015 Keller A61B 18/08
 D744,638 S * 12/2015 Bow D24/112
 D749,717 S * 2/2016 Kobida D24/108
 D753,301 S * 4/2016 Fiksen D24/144
 D755,383 S * 5/2016 Pfister D24/144
 D759,246 S * 6/2016 Allen D24/146
 D765,841 S * 9/2016 Schuerg D24/144
 D765,842 S * 9/2016 Schuerg D24/144
 D766,432 S * 9/2016 Schuerg D24/144
 D767,760 S * 9/2016 Suwito D24/141
 D770,044 S * 10/2016 Fiksen D24/144
 D770,618 S * 11/2016 Fiksen D24/144
 9,554,940 B2 * 1/2017 Haffner A61F 2/14
 D779,053 S * 2/2017 Kobida D24/108
 D780,306 S * 2/2017 Bow D24/112
 9,592,151 B2 * 3/2017 Rangel-Friedman
 A61F 9/00781
 D789,453 S * 6/2017 Walker D19/180
 D791,318 S * 7/2017 Jutila D24/141
 D794,192 S * 8/2017 Schuerg D24/144
 D794,193 S * 8/2017 Schuerg D24/144

D794,194 S * 8/2017 Schuerg D24/144
 D794,790 S * 8/2017 Shi D24/146
 D795,424 S * 8/2017 Sloss D24/138
 9,717,627 B2 * 8/2017 Kuzma A61F 9/0017
 D799,040 S * 10/2017 Melnikoff D24/152
 D802,769 S * 11/2017 Robertson D24/167
 D806,230 S * 12/2017 Johnson A61B 17/3211
 D818,584 S * 5/2018 Lee A61B 17/3211
 D828,548 S * 9/2018 Bow D24/112
 D834,702 S * 11/2018 Evans D24/110
 D837,975 S * 1/2019 Protasiewicz D24/113
 D838,360 S * 1/2019 Protasiewicz D24/113
 D839,417 S * 1/2019 Funakoshi D24/113
 D841,164 S * 2/2019 Flowers D24/150
 D844,784 S * 4/2019 Swick D24/147
 D846,738 S * 4/2019 Kalina, Jr D24/133
 D847,334 S * 4/2019 Amano D24/133
 10,278,720 B2 * 5/2019 Marczyk A61B 17/295
 D851,755 S * 6/2019 Nazzaro D24/114
 D855,181 S * 7/2019 Khan D24/150
 D861,864 S * 10/2019 Amano D24/133
 D879,960 S * 3/2020 Melnikoff D24/152
 10,780,218 B2 * 9/2020 Novakovic A61M 5/158
 D901,683 S * 11/2020 Kalina, Jr D24/133
 D903,100 S * 11/2020 Stats D24/112
 D910,836 S * 2/2021 Sandberg A61F 2/966
 D911,521 S * 2/2021 Swift D24/135
 D929,580 S * 8/2021 Bornhoft D24/130
 D929,586 S * 8/2021 Williams D24/140
 2011/0295354 A1 * 12/2011 Bueche A61F 2/962
 623/1.11
 2012/0123516 A1 * 5/2012 Gerdts A61F 2/966
 623/1.12
 2014/0277564 A1 * 9/2014 Windheuser A61M 25/01
 623/23.7
 2015/0081008 A1 * 3/2015 Sheldon D06C 7/00
 623/1.12
 2015/0297379 A1 * 10/2015 Green A61F 2/95
 623/1.12
 2015/0335452 A1 * 11/2015 Rao A61F 2/95
 623/23.66

* cited by examiner

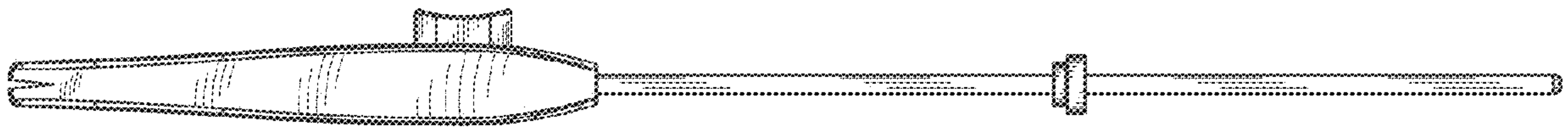


FIG. 1

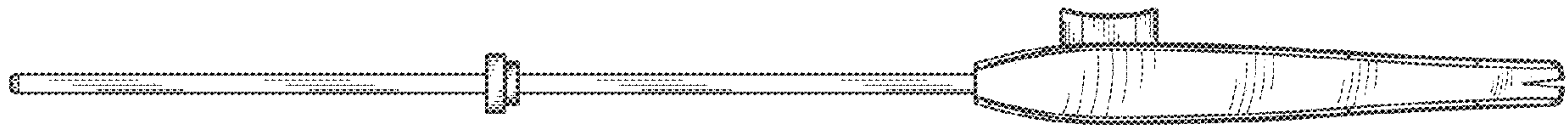


FIG. 2

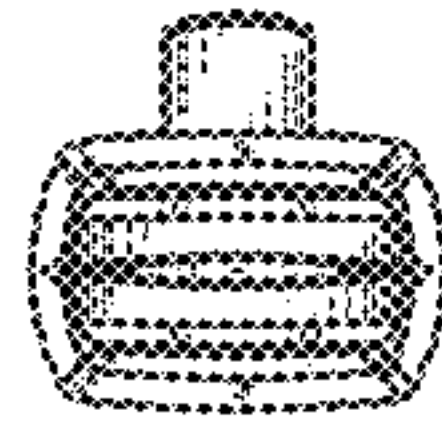


FIG.3

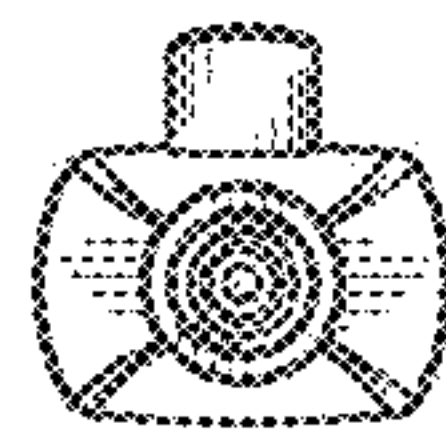


FIG.4

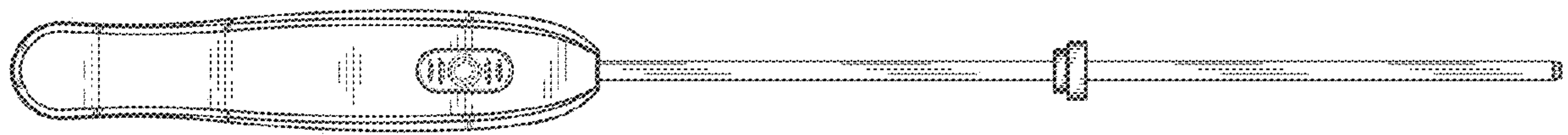


FIG.5

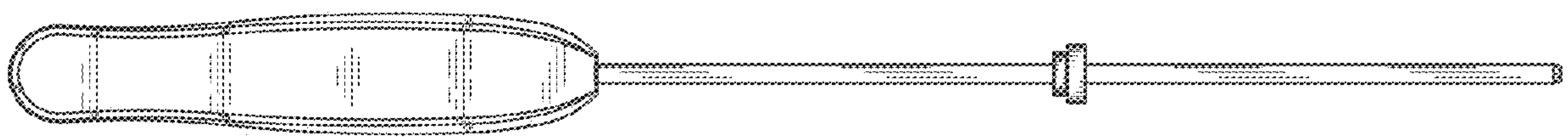


FIG.6

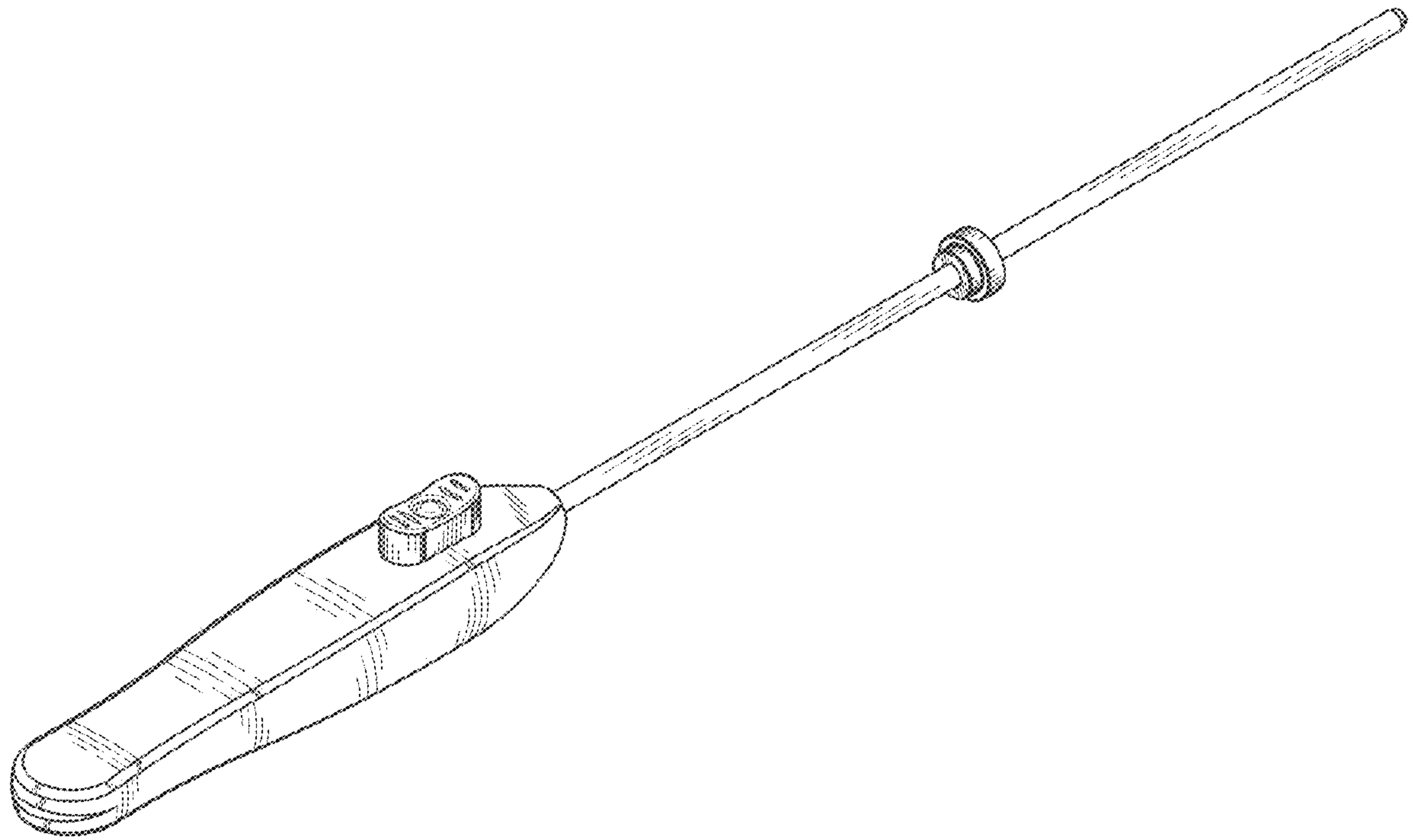


FIG.7

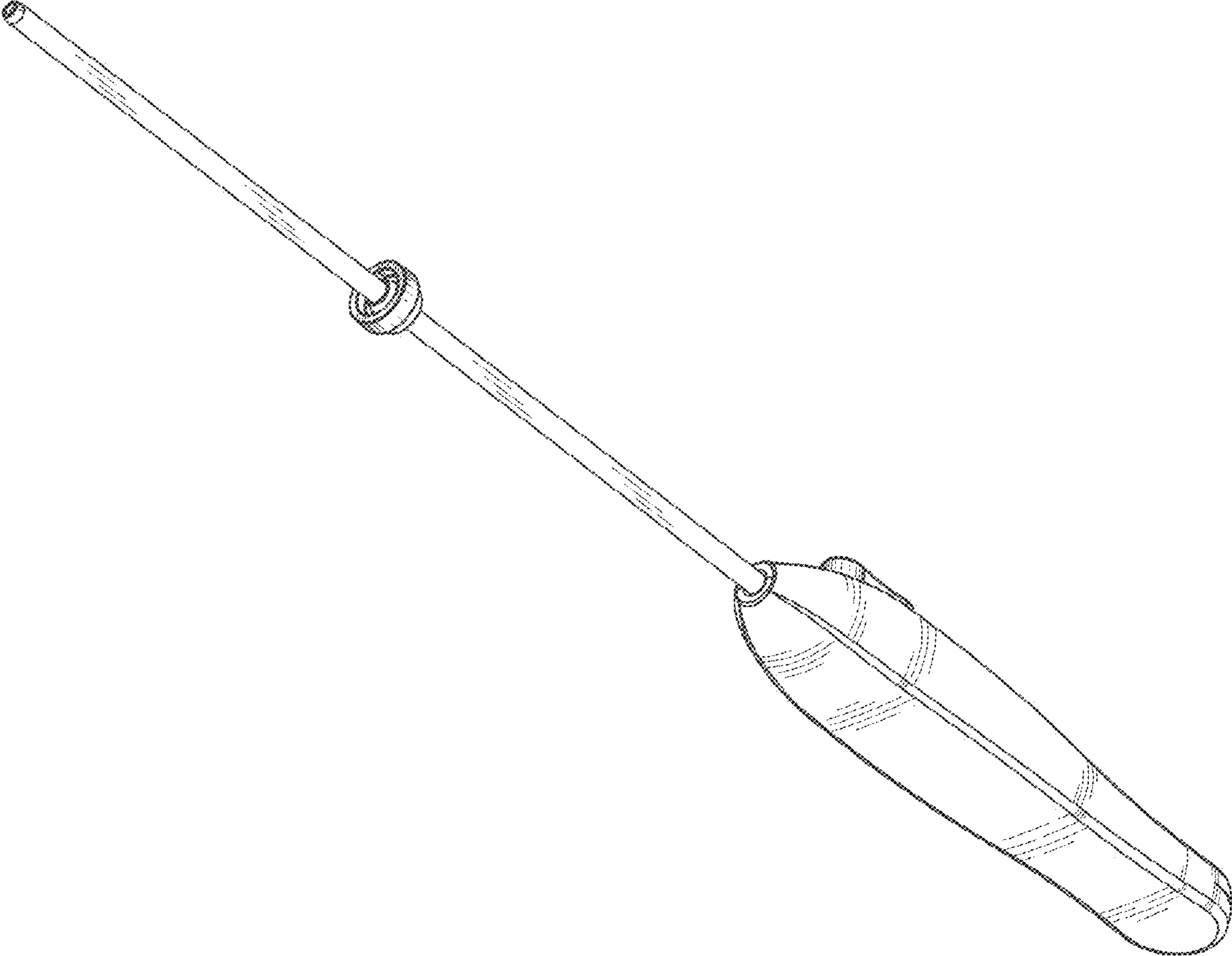


FIG.8