



US00D938582S

(12) **United States Design Patent** (10) **Patent No.:** **US D938,582 S**  
**Pitulat et al.** (45) **Date of Patent:** **\*\* Dec. 14, 2021**

(54) **PLUNGER ROD FOR USE WITH A SYRINGE**

(71) Applicant: **Becton Dickinson France, Le**  
Pont-de-Claix (FR)  
(72) Inventors: **Loïc Pitulat**, Vaulnaveys le Haut (FR);  
**Yves-Eric Dufour**, Saint Martin  
d'Hères (FR)  
(73) Assignee: **Becton Dickinson France, Le**  
Pont-de-Claix (FR)  
(\*\*) Term: **15 Years**

(21) Appl. No.: **29/727,483**  
(22) Filed: **Mar. 11, 2020**  
(51) **LOC (13) Cl.** ..... **24-02**  
(52) **U.S. Cl.**  
USPC ..... **D24/130; D24/127**  
(58) **Field of Classification Search**  
USPC ... D24/127, 130, 133, 146, 147, 108, 110.6,  
D24/112-114, 129, 224-226, 231, 232;  
D23/262  
CPC ..... G09B 23/285; A61M 5/31501; A61M  
2005/3151; A61M 5/3148; A61M  
5/31513; A61M 2005/3128; A61M  
5/31515  
See application file for complete search history.

(56) **References Cited**

**U.S. PATENT DOCUMENTS**

D287,053 S \* 12/1986 Bucchianeri ..... D24/130  
D432,231 S \* 10/2000 Balestracci ..... D24/112  
D437,050 S \* 1/2001 Balestracci ..... D24/112  
D462,441 S \* 9/2002 Garner ..... D24/133  
D638,122 S \* 5/2011 Kosinski ..... A61M 5/3129  
D24/130

(Continued)

**FOREIGN PATENT DOCUMENTS**

EM 008163687-0001 \* 11/2020  
EM 008163687-0002 \* 11/2020

**OTHER PUBLICATIONS**

Usage Of Becton Dickinson Precise Luer Lok Syringes in Syringe  
Pumps | Demo Film, Youtube, [ Post date Jan. 4, 2021], [Site visited  
Sep. 8, 2021], Seen at URL: <https://www.youtube.com/watch?v=xlQ5jxVHiol> (Year: 2021).\*

(Continued)

*Primary Examiner* — Natasha Vujcic  
*Assistant Examiner* — Gilbert B Ford

(74) *Attorney, Agent, or Firm* — The Webb Law Firm

(57) **CLAIM**

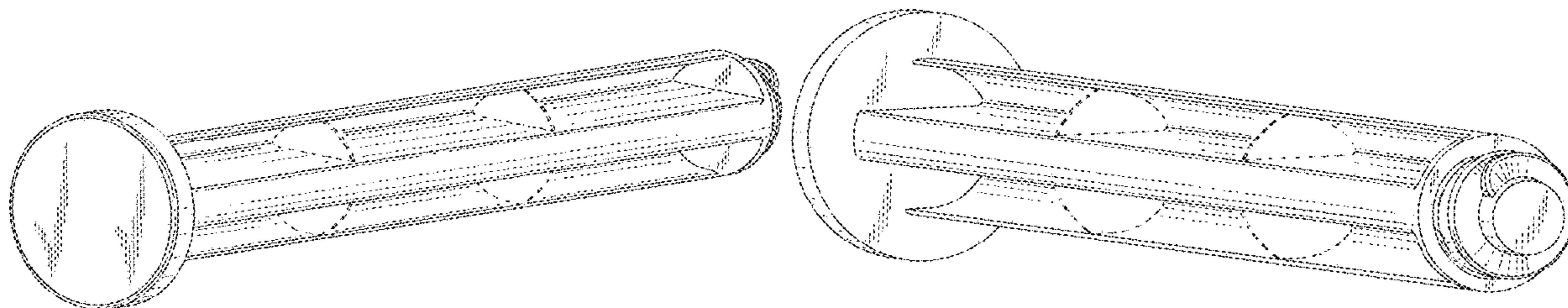
The ornamental design for a plunger rod for use with a  
syringe, as shown and described.

**DESCRIPTION**

FIG. 1 is a perspective view of a plunger rod for use with  
syringe;  
FIG. 2 is another perspective view of the plunger rod of FIG.  
1.  
FIG. 3 is another perspective view of the plunger rod of FIG.  
1.  
FIG. 4 is another perspective view of the plunger rod of FIG.  
1.  
FIG. 5 is another perspective view of the plunger rod of FIG.  
1.  
FIG. 6 is a front view of the plunger rod of FIG. 1.  
FIG. 7 is a top view of the plunger rod of FIG. 1.  
FIG. 8 is a right side view of the plunger rod of FIG. 1.  
FIG. 9 is a left side view of the plunger rod of FIG. 1.  
FIG. 10 is a rear view of the plunger rod of FIG. 1.  
FIG. 11 is a bottom view of the plunger rod of FIG. 1; and,  
FIG. 12 is a cross-sectional view of the plunger rod of FIG.  
10, taken along line 12-12 of FIG. 10.

The broken lines representing ribs of the plunger rod, shown  
in FIGS. 1-6, 9, and 10, form no part of the claimed design.

**1 Claim, 8 Drawing Sheets**



(56)

**References Cited**

## U.S. PATENT DOCUMENTS

D663,415 S \* 7/2012 Tamura ..... D24/130  
D667,108 S \* 9/2012 Mottahed ..... D24/130  
D667,109 S \* 9/2012 Mottahed ..... D24/130  
D673,268 S \* 12/2012 Kommireddy ..... D24/130  
D673,675 S \* 1/2013 Wong ..... D24/130  
D689,188 S \* 9/2013 Lundquist ..... D24/130  
D713,525 S \* 9/2014 Oguro ..... D24/130  
D865,947 S \* 11/2019 Khalaj ..... D24/114  
D889,639 S \* 7/2020 Johnson ..... D24/114  
D909,570 S \* 2/2021 Ahmad ..... D24/114  
D911,519 S \* 2/2021 Newlove ..... D24/130  
2017/0028135 A1 \* 2/2017 Fransson ..... A61M 5/3129  
2017/0203046 A1 \* 7/2017 LaRose ..... A61L 31/048  
2017/0209648 A1 \* 7/2017 Butts ..... A61L 31/14  
2020/0405965 A1 \* 12/2020 Marici ..... A61L 2/08  
2020/0410897 A1 \* 12/2020 Baker ..... A61M 5/31501  
2021/0077738 A1 \* 3/2021 Dadachanji ..... A61M 5/31501

## OTHER PUBLICATIONS

Syringe Loss-Of-Resistance BD Epilor, Simplibuy.ca, [Postdate Jan. 1, 2019n], [Site visited Sep. 8, 2021], Seen at URL: <https://www.simplibuy.ca/Product/Details/10863> (Year: 2019).\*

LOR Syringe—Luer Slip Tip, Busse, insightneedles.com, [Post date unknow], [Site visited Sep. 8, 2021], Seen at URL: <https://www.insightneedles.com/products/busse-lor-syringe> (Year: 2021).\*

\* cited by examiner

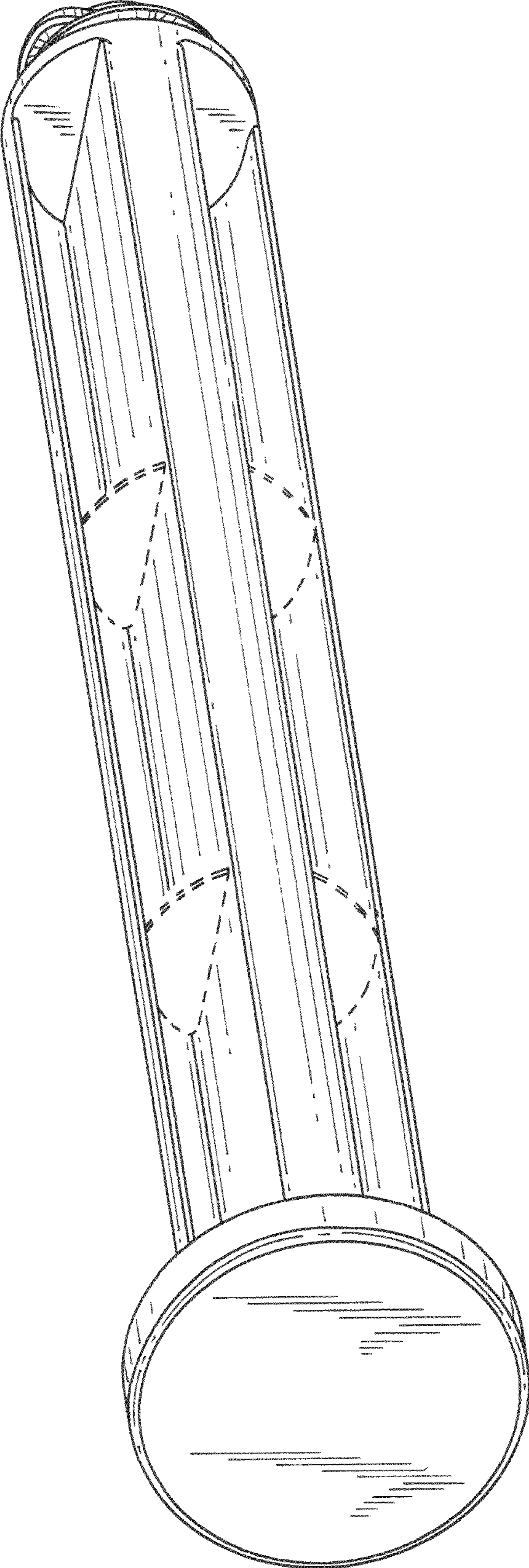


FIG.1



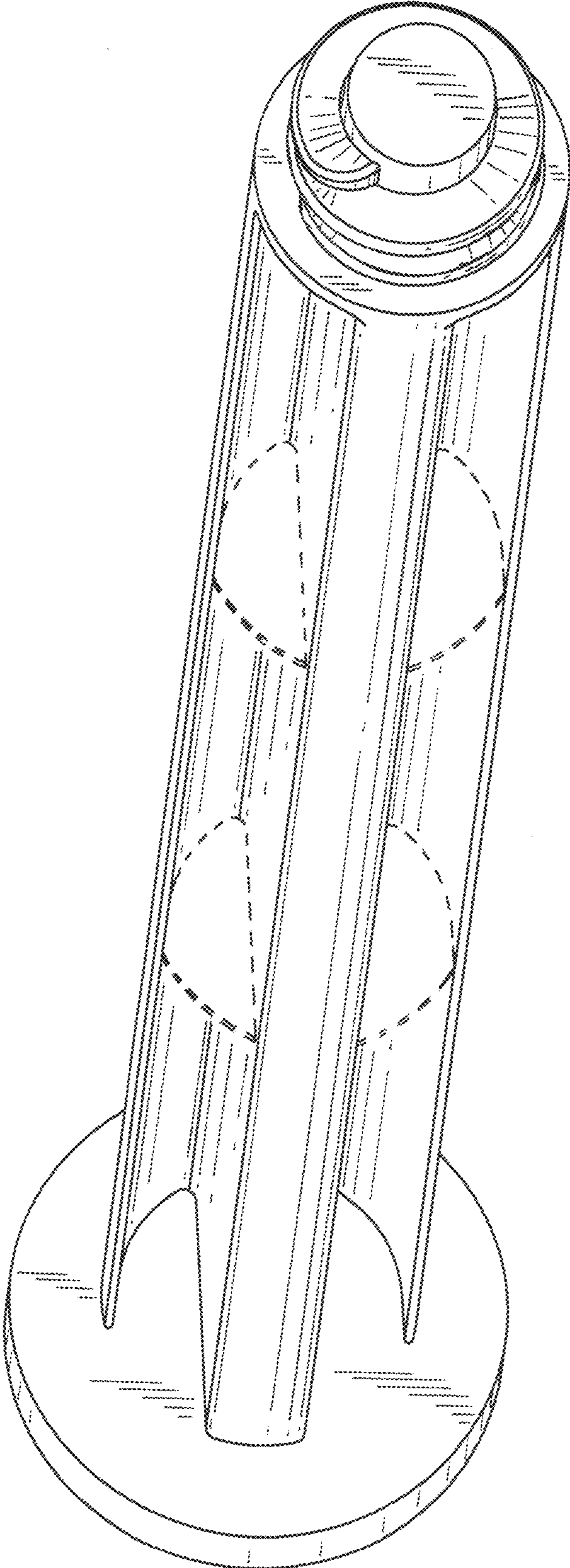


FIG.2

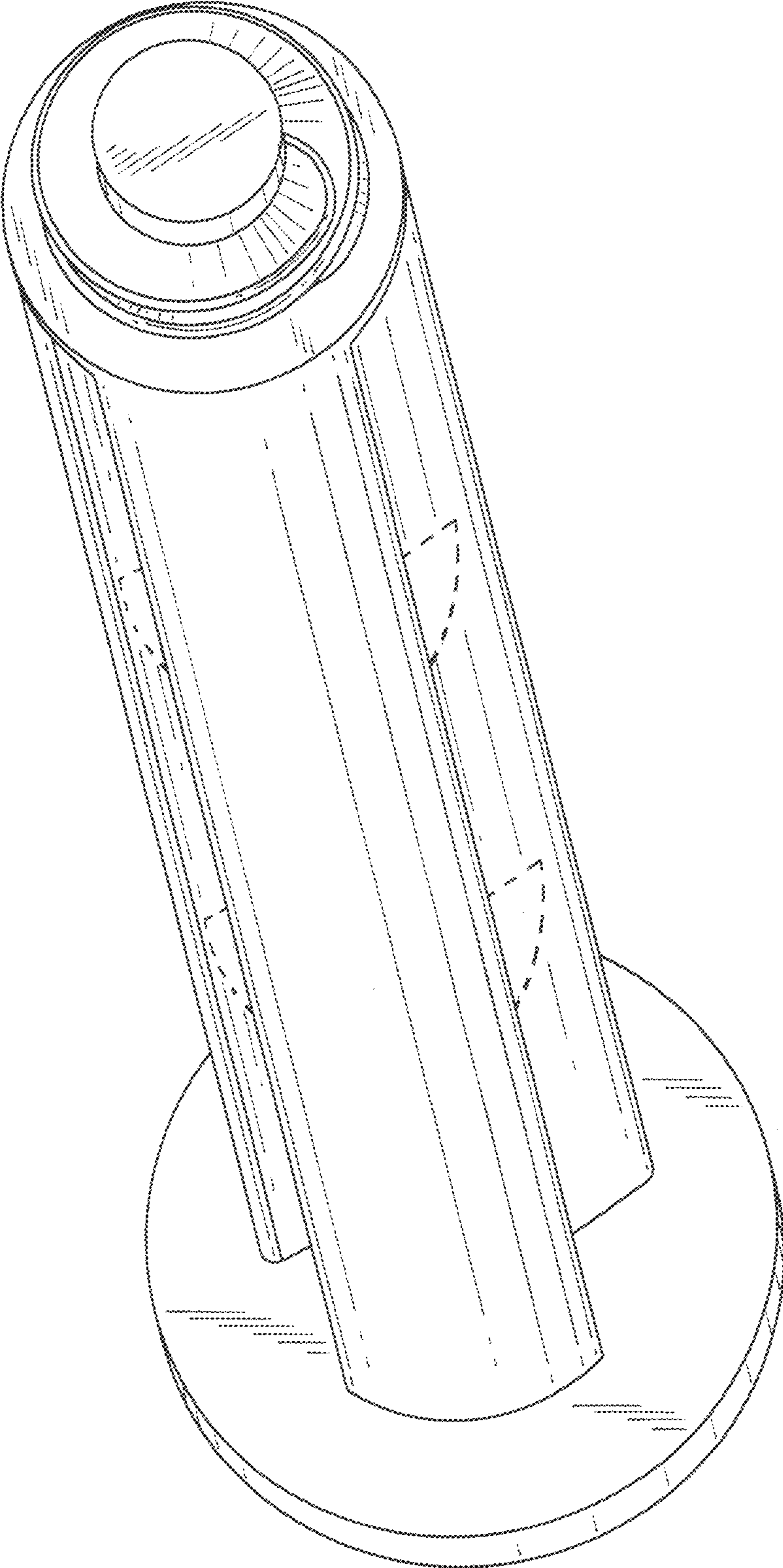


FIG. 3

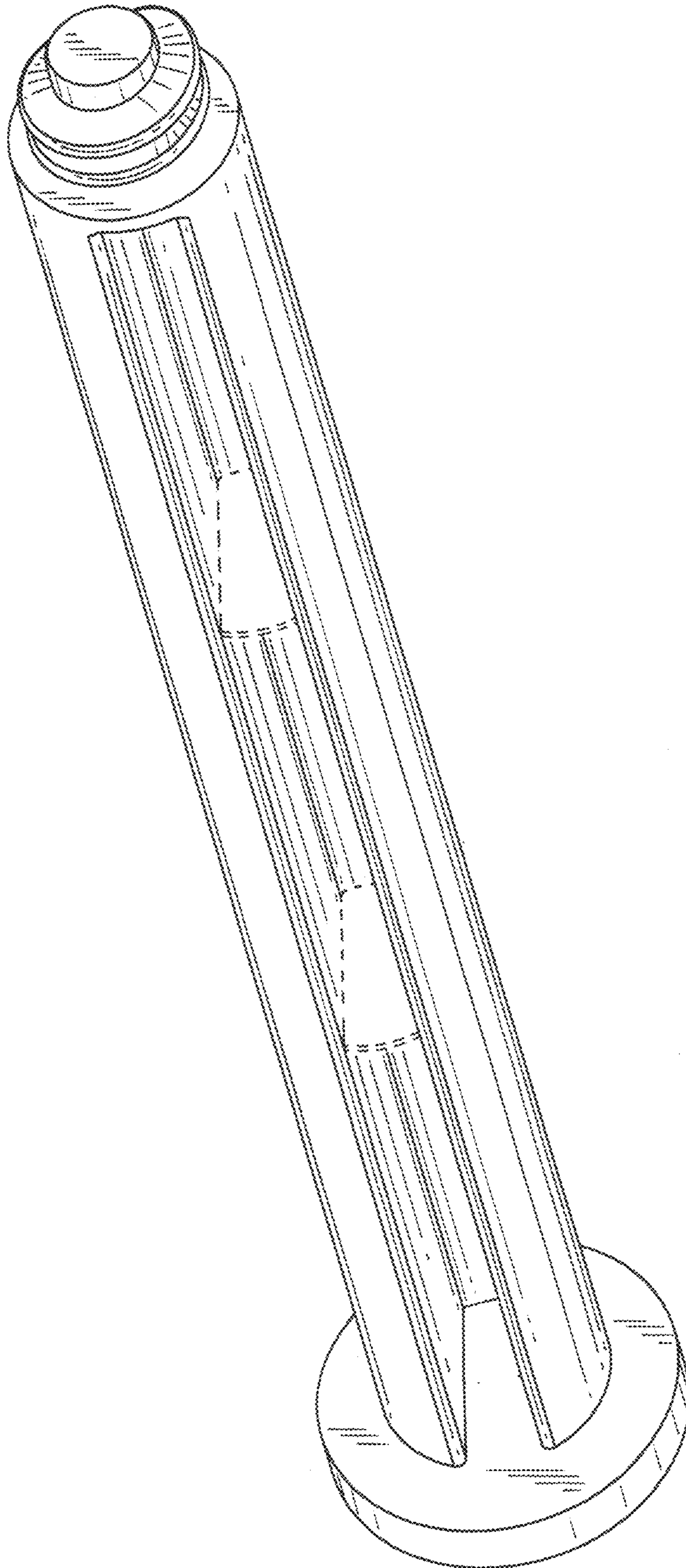


FIG.4



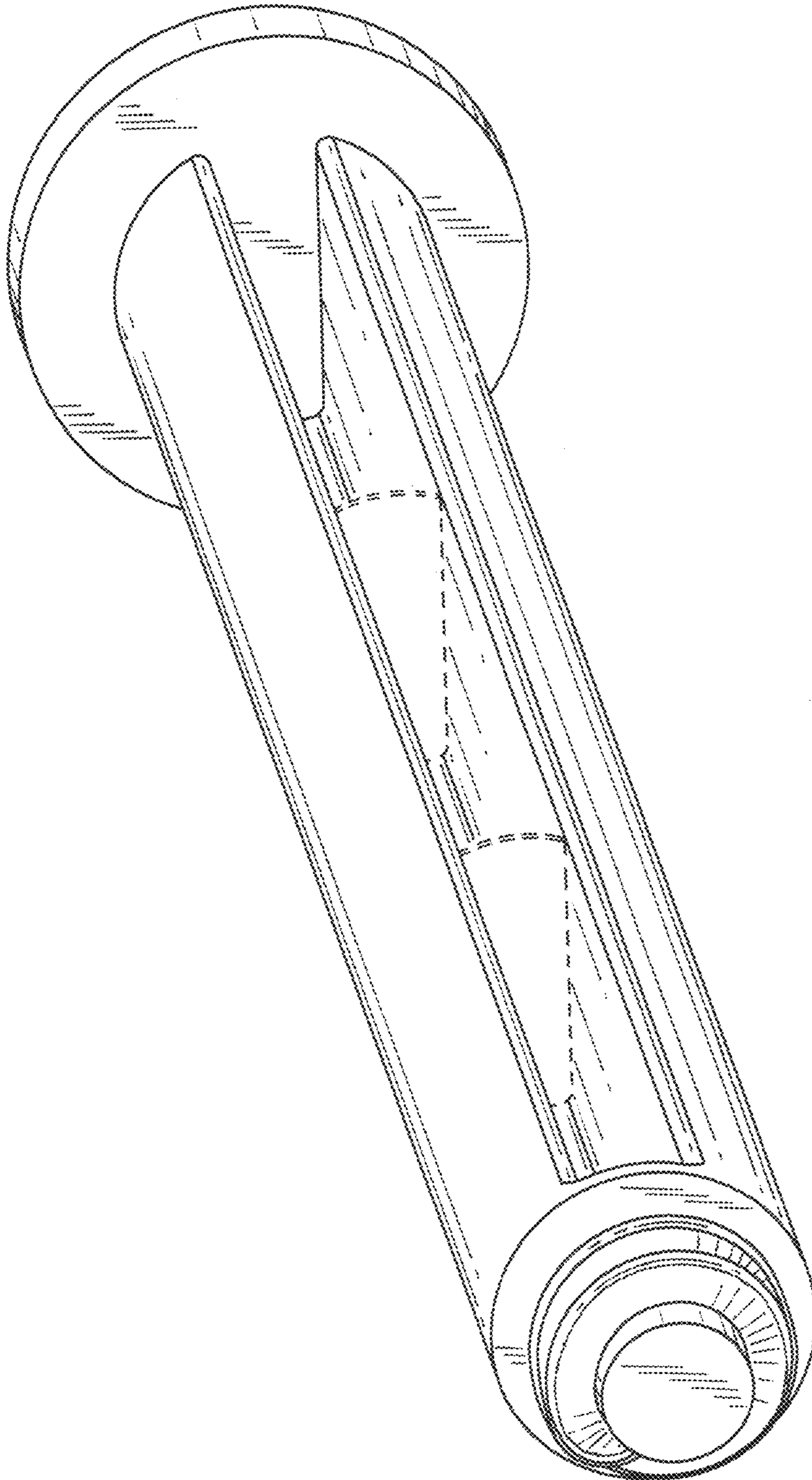


FIG. 5

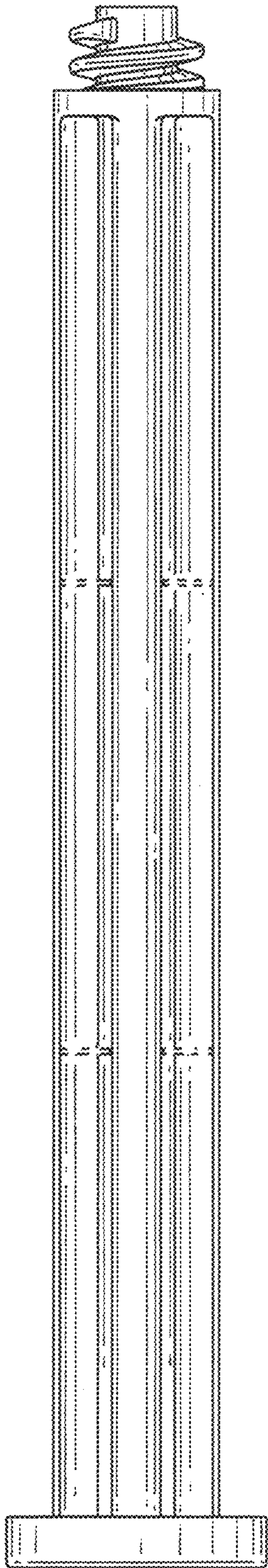


FIG. 6

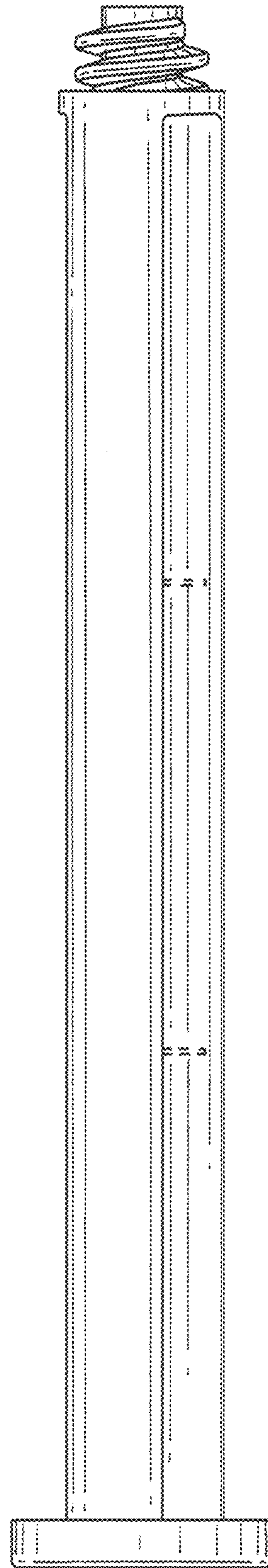


FIG. 7



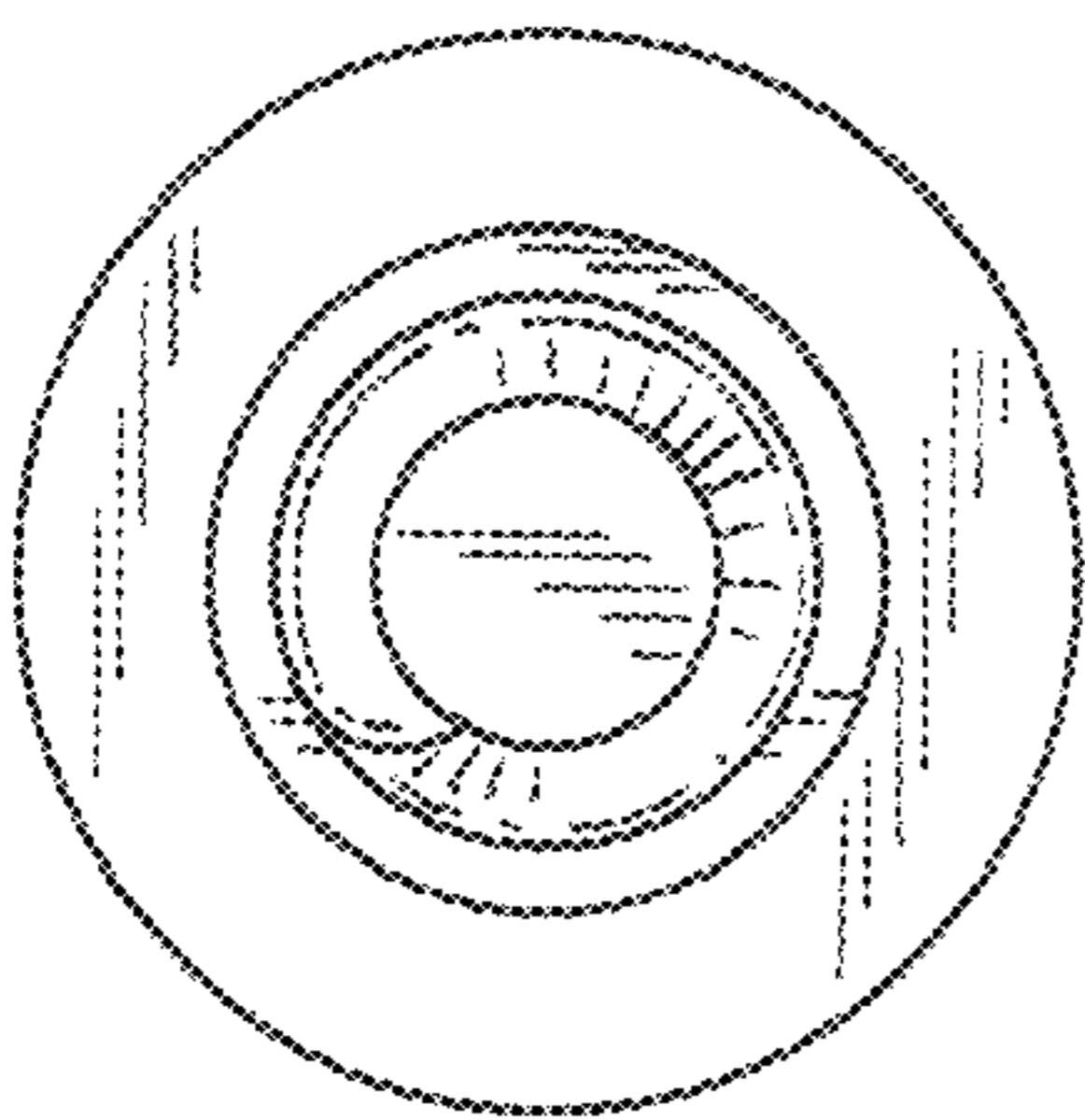


FIG. 8

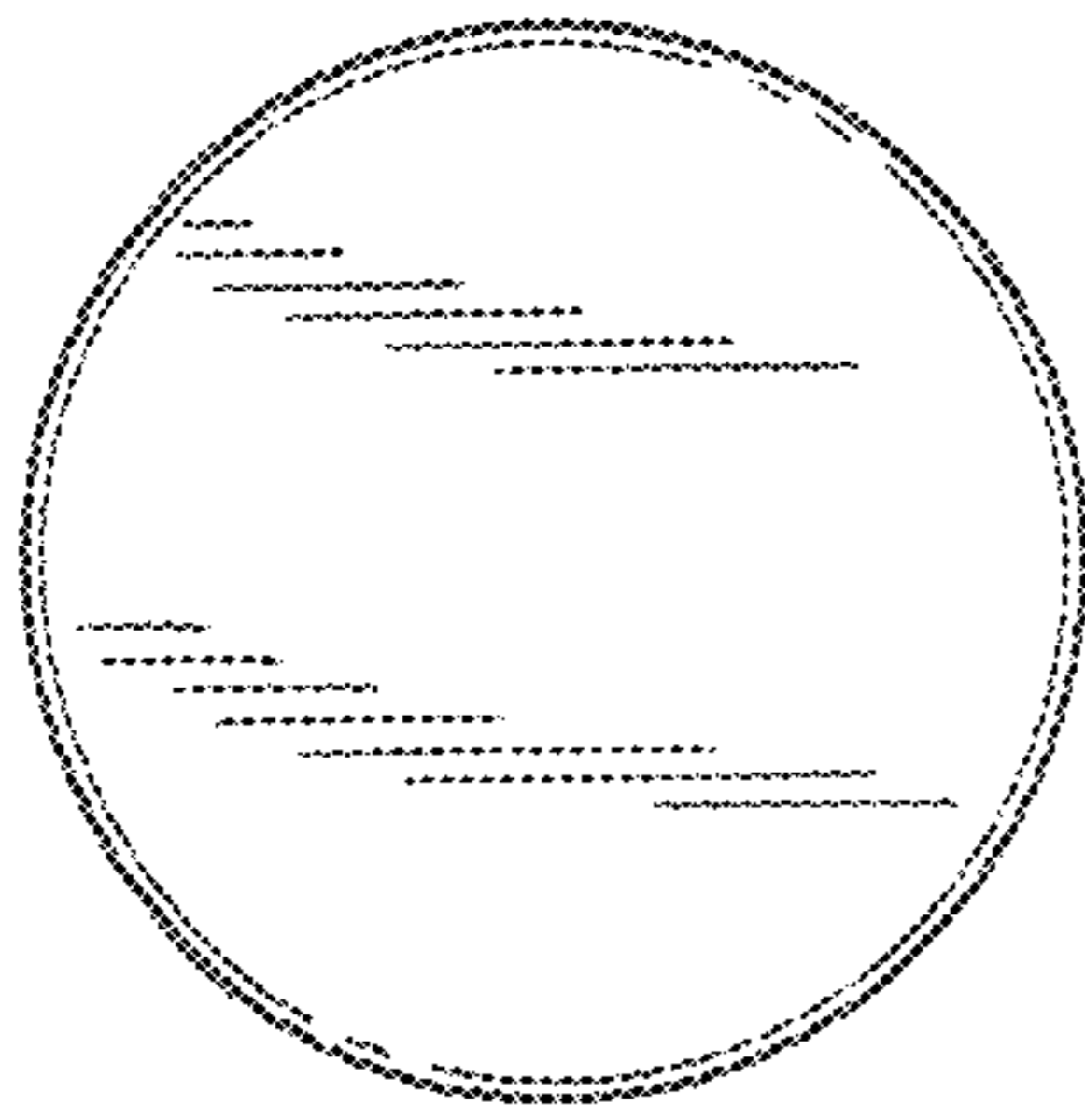


FIG. 9

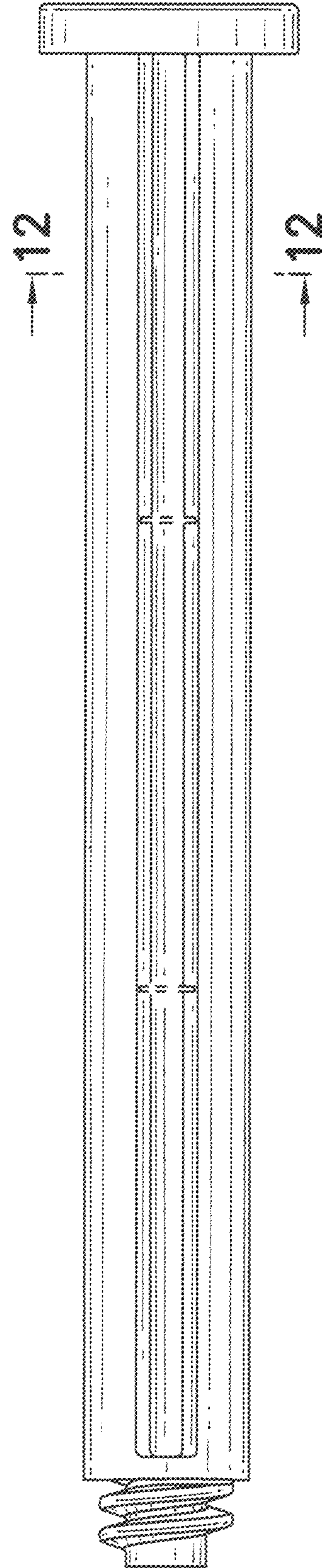


FIG. 10

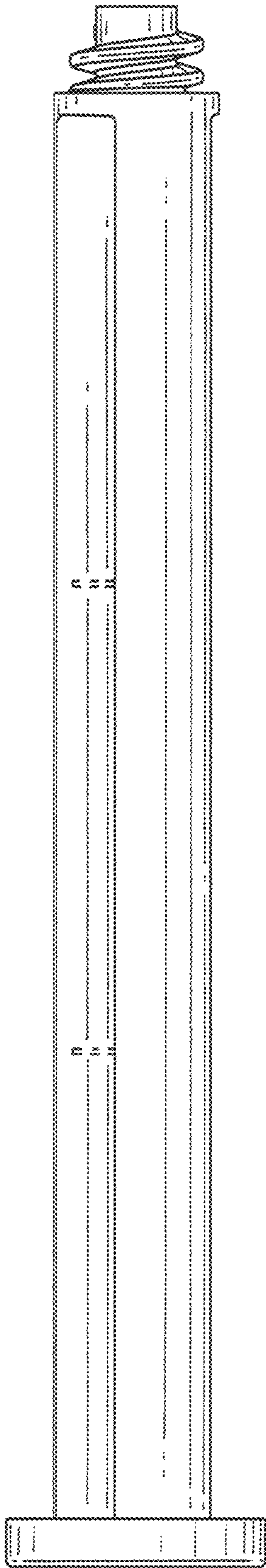


FIG. 11

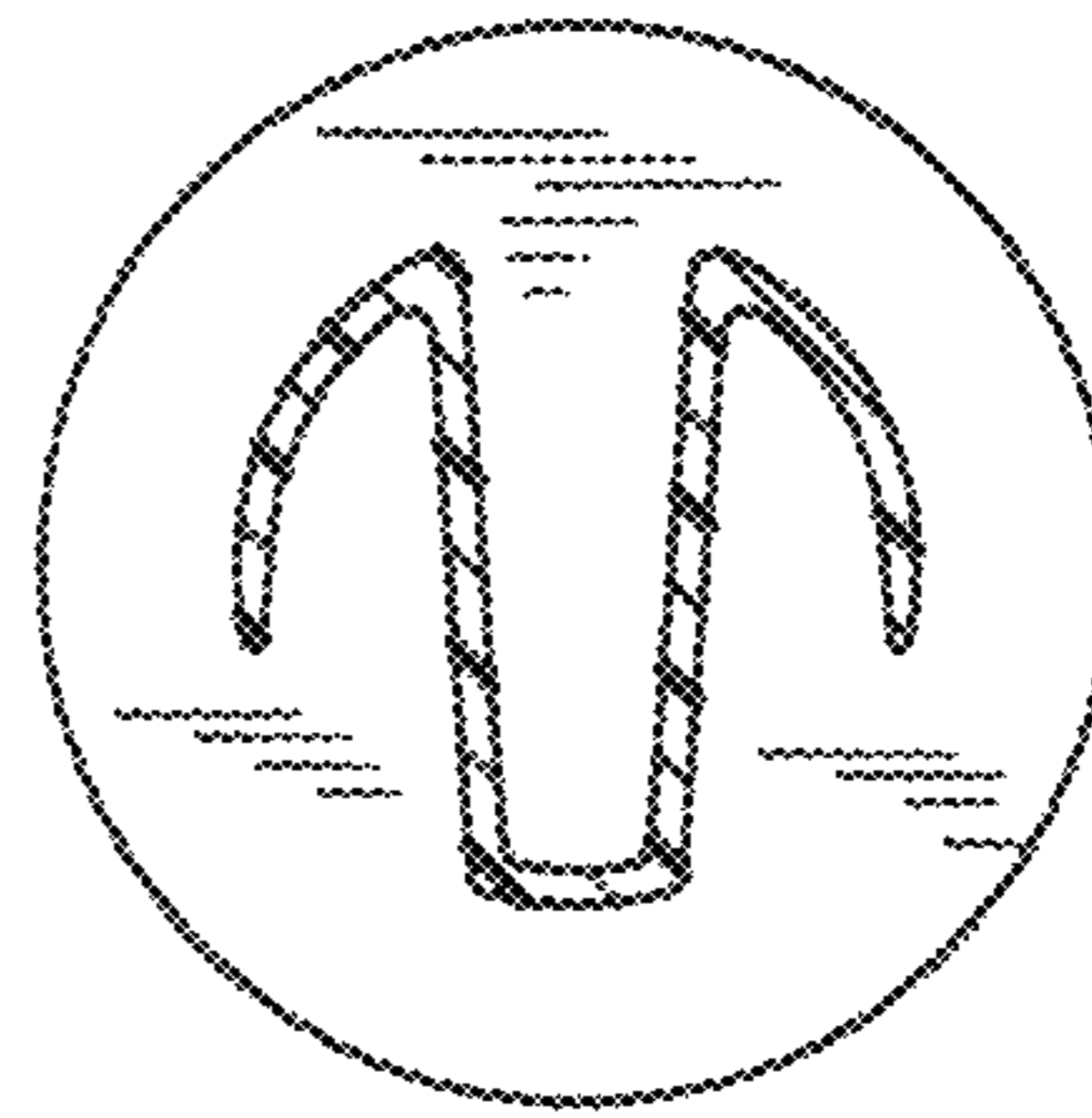


FIG. 12