



US00D938581S

(12) **United States Design Patent** (10) **Patent No.:** **US D938,581 S**
Floyd et al. (45) **Date of Patent:** **** Dec. 14, 2021**

(54) **TOOL FOR INSTALLATION AND/OR REMOVAL OF INSTRUMENT TIP COVER**

files/pdf/davinci-x-xi-instrument-accessory-us-catalog-1052082.pdf?la=en&hash=AEBFCF4AE94C8A55C013BC9B3A147EF7 (Year: 2019).*

(71) Applicant: **Intuitive Surgical Operations, Inc.**, Sunnyvale, CA (US)

(Continued)

(72) Inventors: **Paul J. Floyd**, San Jose, CA (US); **Rosemary Cole**, San Jose, CA (US); **Christina J. Shuh**, San Francisco, CA (US); **Ralph Wadensweiler**, Sunnyvale, CA (US); **Mark Palmer**, San Jose, CA (US)

Primary Examiner — Natasha Vujcic

Assistant Examiner — Gilbert B Ford

(74) *Attorney, Agent, or Firm* — Jones Robb, PLLC

(57) **CLAIM**

The ornamental design for a tool for installation and/or removal of an instrument tip cover, as shown and described.

DESCRIPTION

(73) Assignee: **INTUITIVE SURGICAL OPERATIONS, INC.**, Sunnyvale, CA (US)

FIG. 1 is a front top perspective view of a first embodiment of our new design of a tool for installation and/or removal of an instrument tip cover;

(**) Term: **15 Years**

FIG. 2 is side perspective view thereof;

(21) Appl. No.: **29/724,920**

FIG. 3 is a right side view thereof;

(22) Filed: **Feb. 20, 2020**

FIG. 4 is left side view thereof;

(51) **LOC (13) Cl.** **24-02**

FIG. 5 is a top view thereof;

(52) **U.S. Cl.**

FIG. 6 is a bottom view thereof;

USPC **D24/128; D24/127**

FIG. 7 is rear end view thereof;

(58) **Field of Classification Search**

FIG. 8 is a front end view thereof;

USPC **D24/127-128, 130, 108, 112-114, 133, D24/186**

FIG. 9 is a front top perspective view of a second embodiment of our new design of a tool for installation and/or removal of an instrument tip cover;

(Continued)

FIG. 10 is a side perspective view thereof;

(56) **References Cited**

U.S. PATENT DOCUMENTS

3,344,787 A * 10/1967 MacLean A61M 5/347 604/241

D332,490 S * 1/1993 Brown D24/130

(Continued)

FIG. 11 is a right side view thereof;

FIG. 12 is a left side view thereof;

FIG. 13 is a top view thereof;

FIG. 14 is a bottom view thereof;

FIG. 15 is a rear end view thereof;

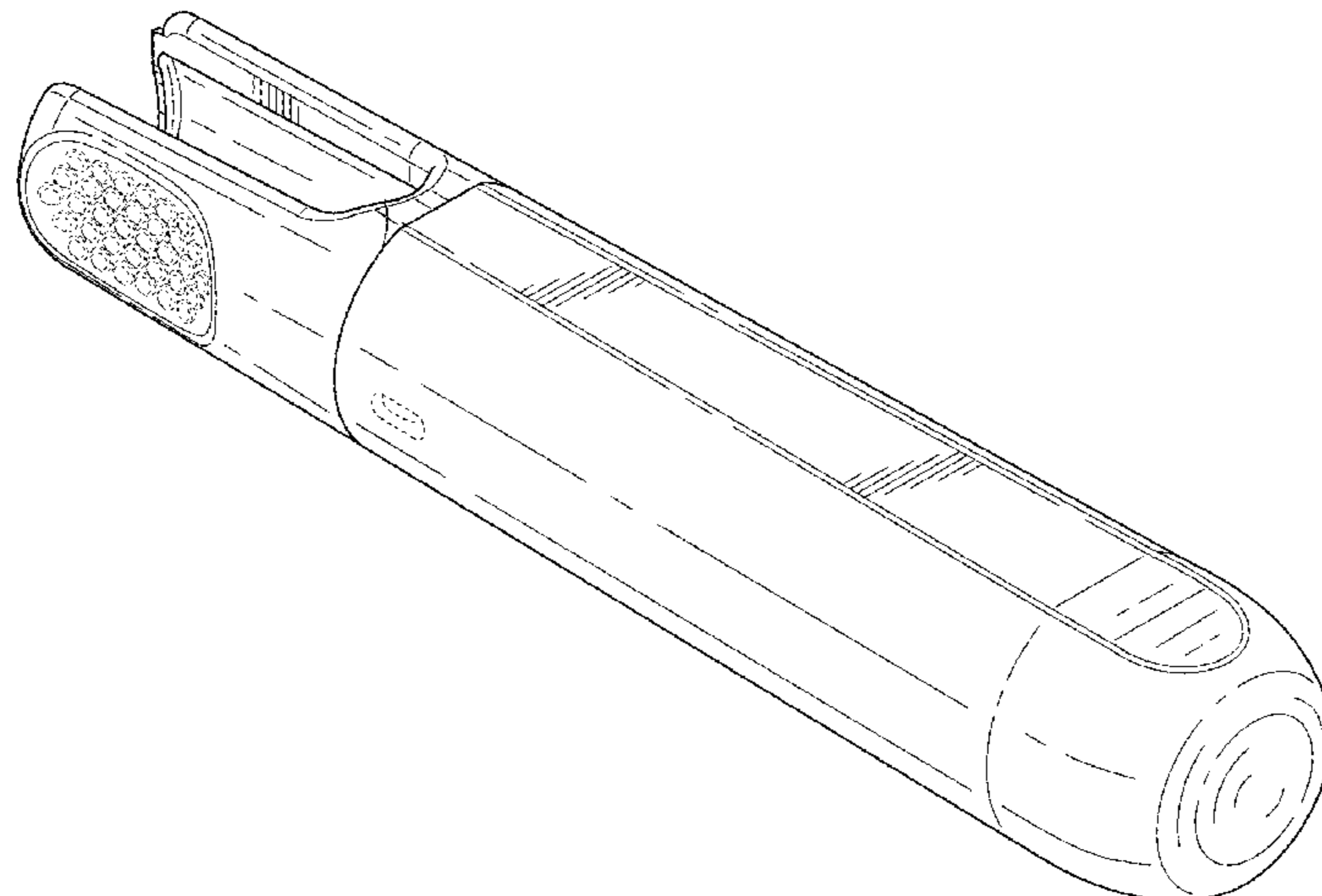
FIG. 16 is a front end view thereof;

FIG. 17 is a perspective view of a medical instrument comprising a shaft and an end effector; an instrument tip cover is shown positioned in a cross section of the tool for installation and/or removal of the instrument tip cover; and, FIG. 18 is a perspective view of the medical instrument of FIG. 17 with the instrument tip cover positioned on the distal portion of the medical instrument; the tool for installation and/or removal of the instrument tip cover is shown in cross section without the instrument tip cover.

(Continued)

OTHER PUBLICATIONS

Da Vinci Xi X Instruments Accessory Catalog, Jan. 1, 2019, Viewed online at Intuitive.com on Jul. 15, 2021 at the internet URL: <https://www.intuitive.com/en-us/-/media/Project/Intuitive-surgical/>



The shade lines in the Figures show contour and not surface ornamentation.

The broken lines in FIGS. 1-16 show portions of the tool for installation and/or removal of an instrument tip cover that form no part of the claimed design. The broken lines in FIGS. 17 and 18 show portions of the environment and form no part of the claimed design.

1 Claim, 9 Drawing Sheets

(58) Field of Classification Search

CPC A61M 5/178; A61B 90/50
See application file for complete search history.

(56) References Cited

U.S. PATENT DOCUMENTS

D340,519 S *	10/1993	Ogden	D24/120
6,331,181 B1 *	12/2001	Tierney	G16H 40/63 606/130
D461,557 S *	8/2002	Courteix	D24/130
D483,123 S *	12/2003	Montgomery	D24/128
D490,153 S *	5/2004	Montgomery	D24/128
D578,215 S *	10/2008	Helder	D24/128
D650,075 S *	12/2011	Anglay	D24/133
D713,958 S *	9/2014	Srinivasan	D24/130
9,138,284 B2 *	9/2015	Krom	A61B 18/1445
D750,223 S *	2/2016	Andino	D24/112

D760,893 S *	7/2016	Honda	D24/130
D777,317 S *	1/2017	Soual	D24/112
D787,664 S *	5/2017	Grunhut	D24/127
D800,898 S *	10/2017	Sanders	D24/114
D802,748 S *	11/2017	Mills	D24/112
10,130,437 B2 *	11/2018	Lee	A61B 34/30
D846,737 S *	4/2019	Karasawa	D24/130
D848,618 S *	5/2019	Großer	D24/130
D877,895 S *	3/2020	Sanders	D24/114
D898,908 S *	10/2020	Denzer	D24/127
D905,234 S *	12/2020	Nock	D24/127
10,932,867 B2 *	3/2021	Park	A61B 17/00
D915,584 S *	4/2021	Eisenkrein	D24/130
11,020,196 B2 *	6/2021	Lee	A61B 18/1445
2011/0071542 A1 *	3/2011	Prisco	A61B 34/30 606/130
2013/0041241 A1 *	2/2013	Felts	A61B 5/154 600/364

OTHER PUBLICATIONS

Da Vinci Xi Surgical System, "Instruments and Accessories User Manual", PN551457-09_B2016, 2016, 97 pages, pp. 64 (Fig. 7.1).
Da Vinci Xi Surgical System, "Manual: Reprocessing Instructions for EndoWrist and Single-Site Instruments", PN 551490-09 Revised Edition, 2017, 120 pages, pp. 30.
Vertut, Jean and Phillipe Coiffet, Robot Technology: Teleoperation and Robotics Evolution and Development, English translation, Prentice-Hall, Inc., Inglewood Cliffs, NJ, USA 1986, vol. 3A, 332 pages.

* cited by examiner

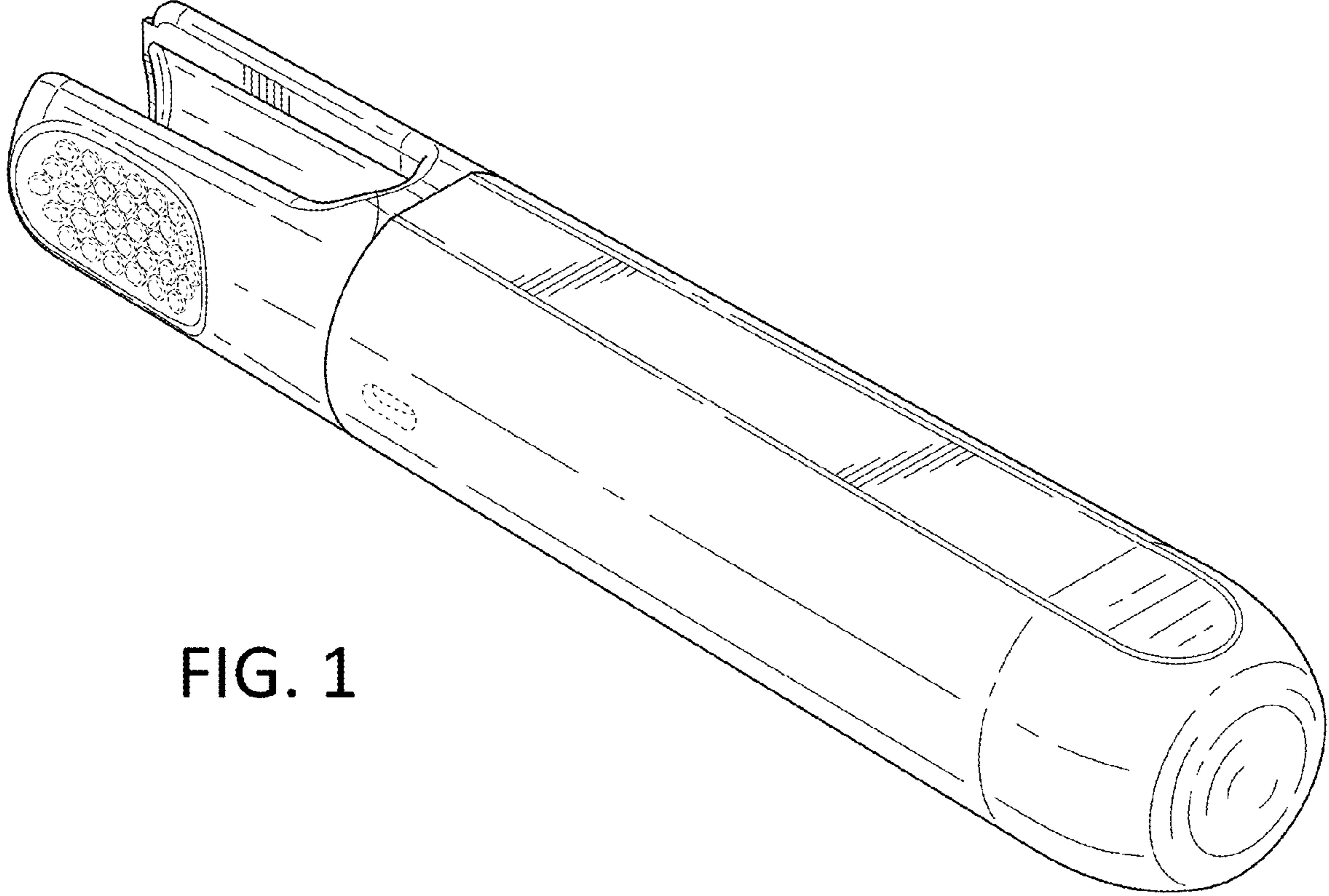


FIG. 1

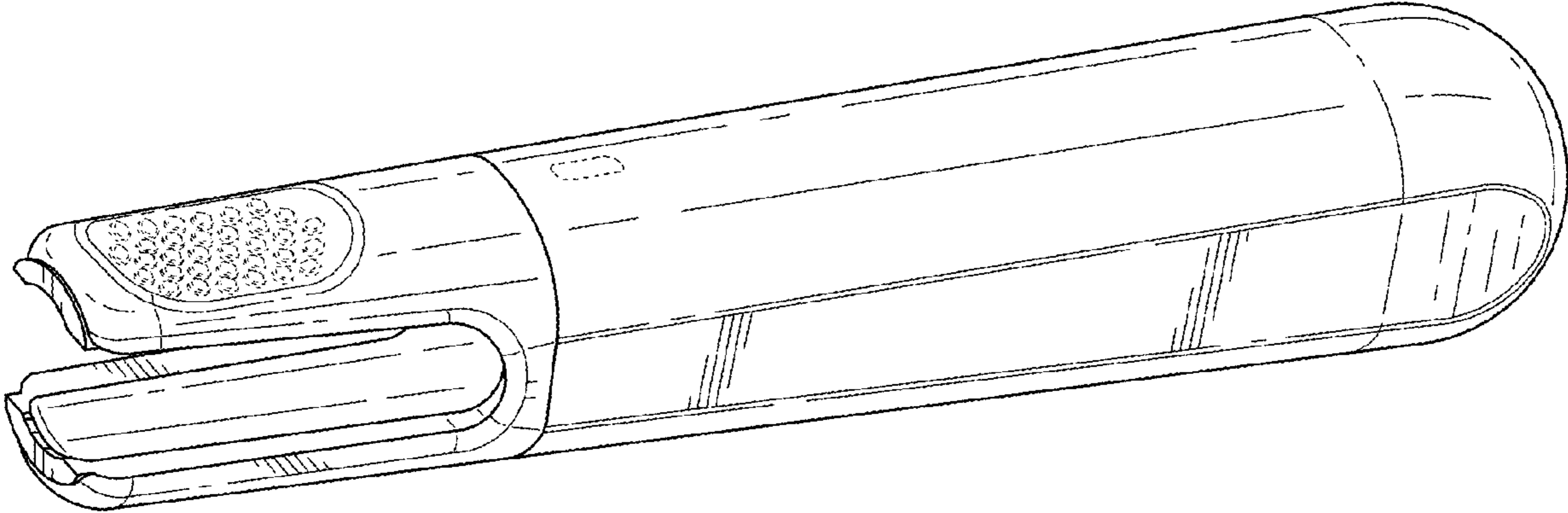


FIG. 2

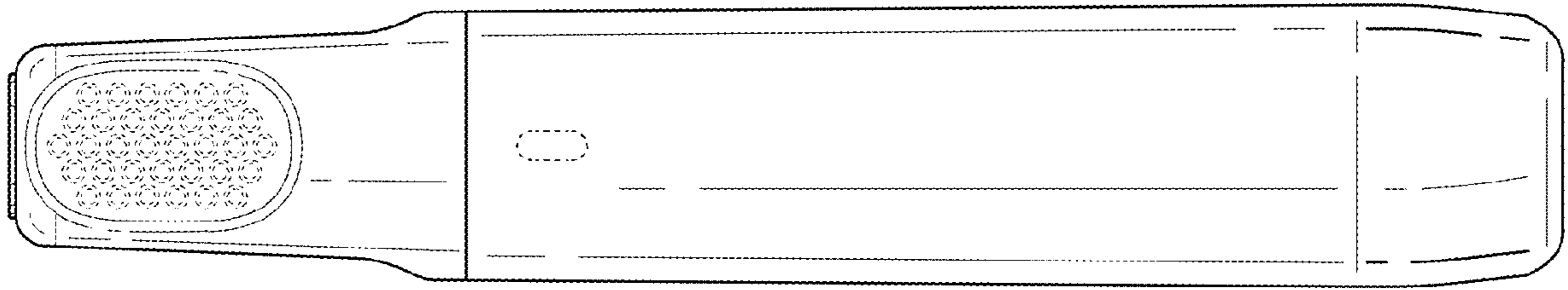


FIG. 3

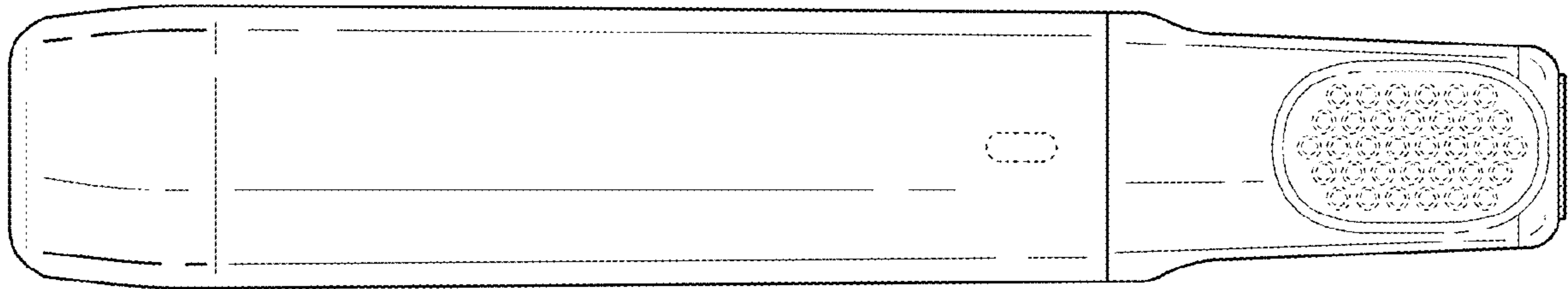


FIG. 4

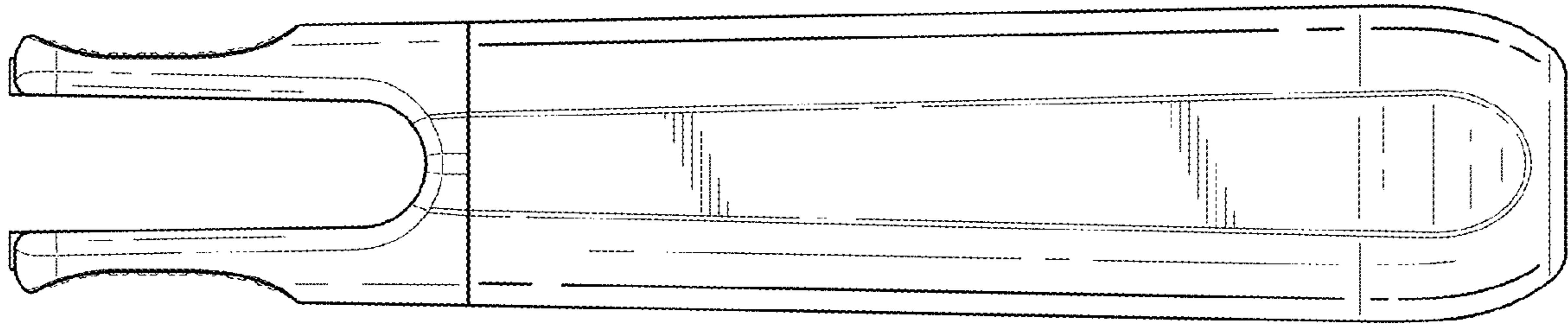


FIG. 5

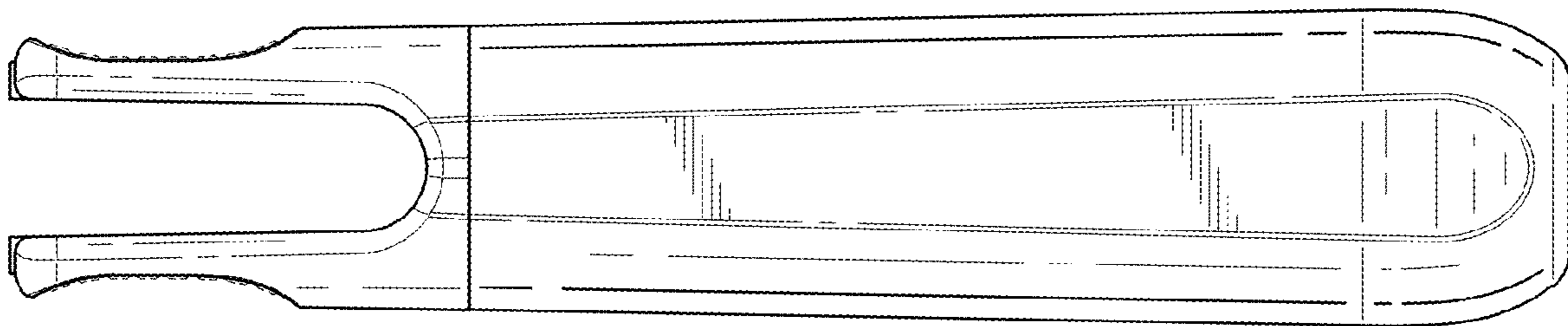


FIG. 6

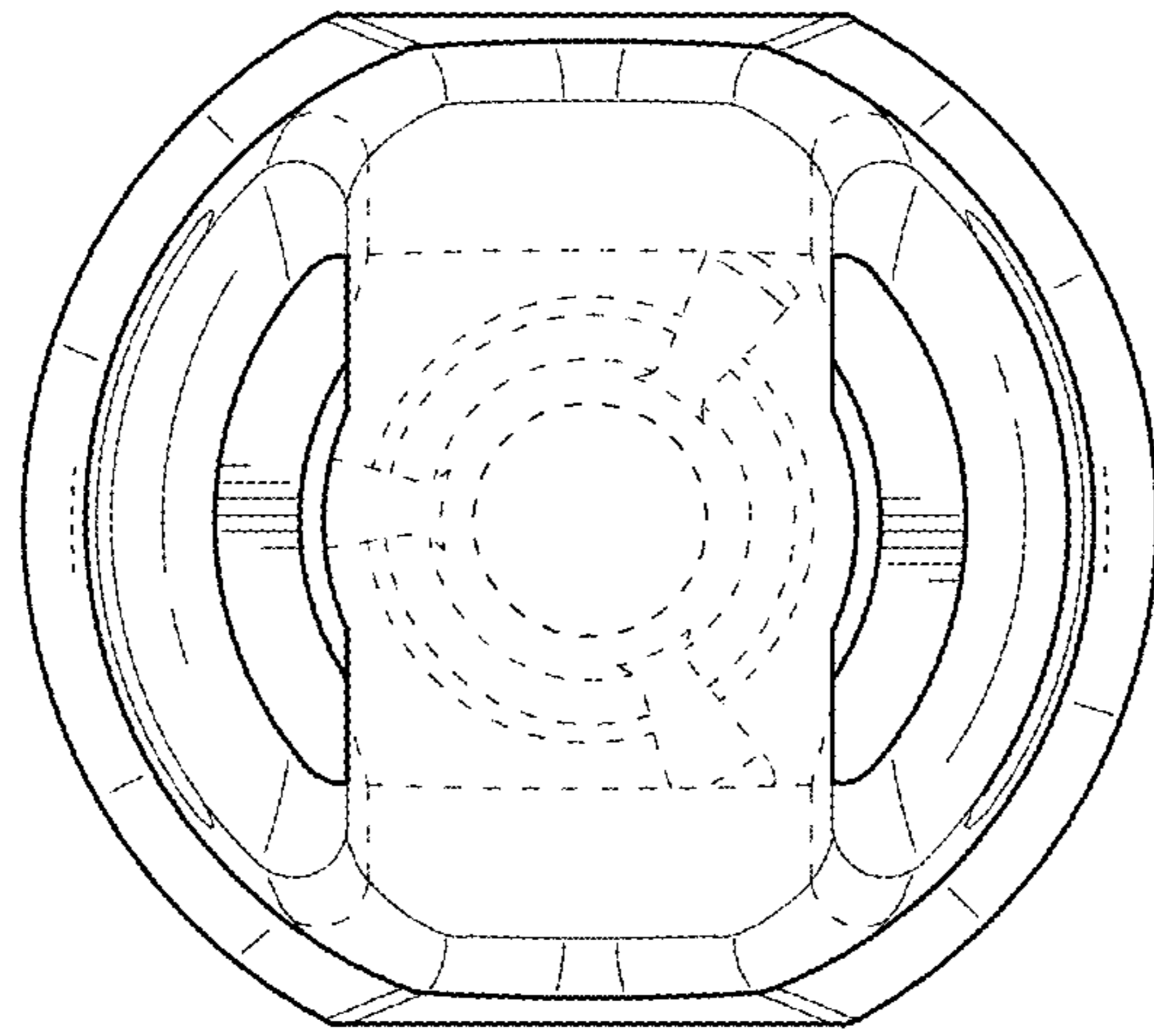


FIG. 7

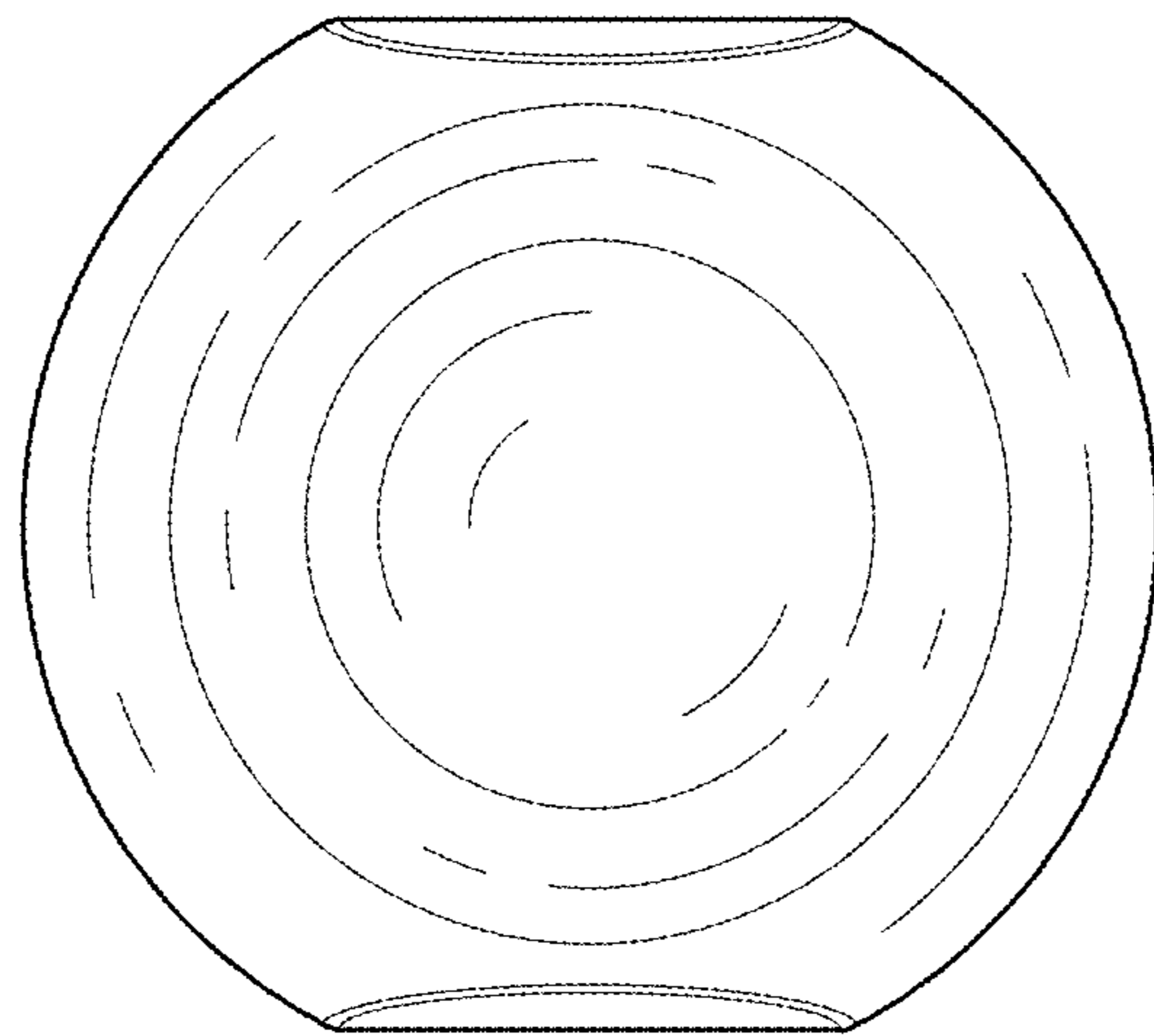


FIG. 8

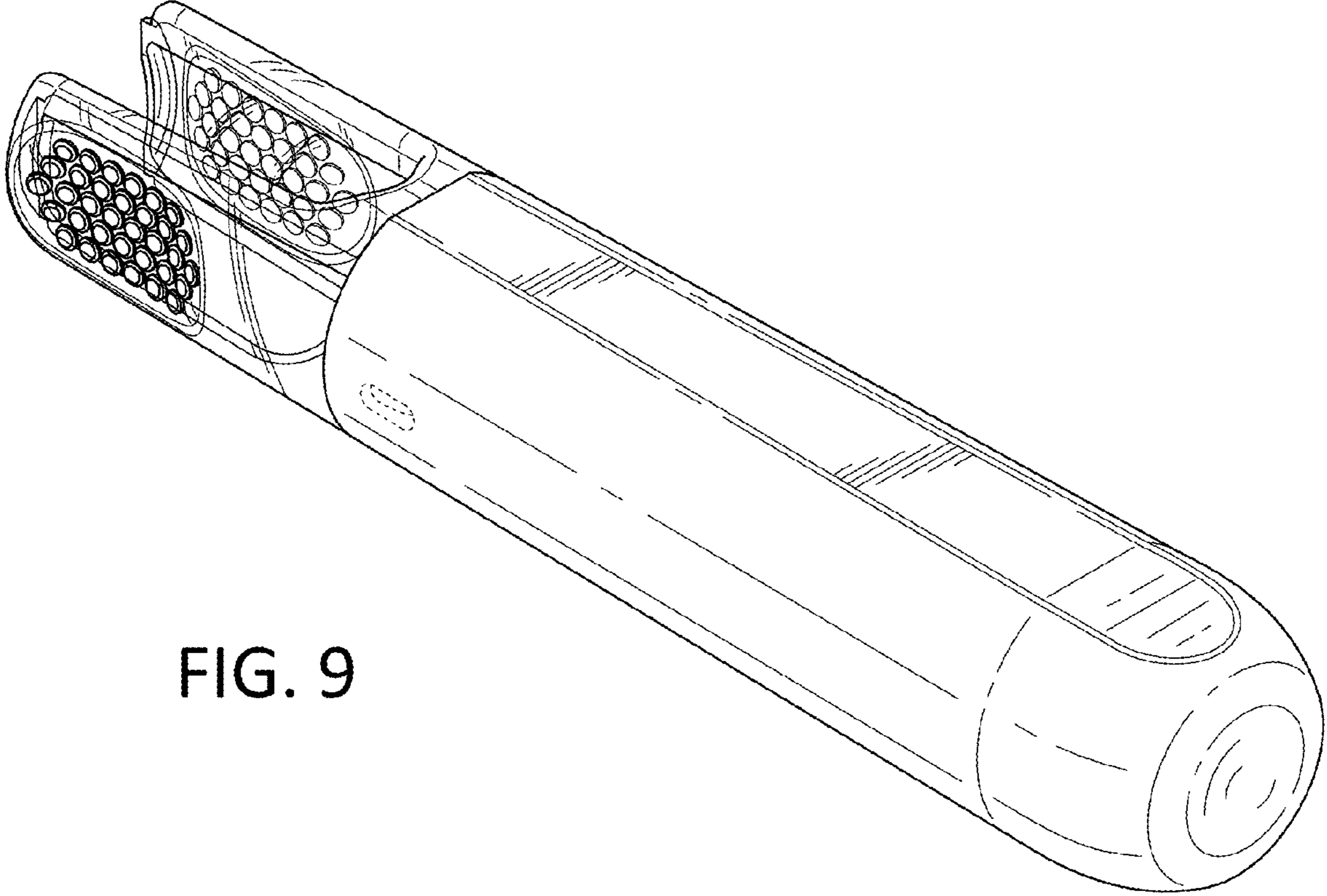


FIG. 9

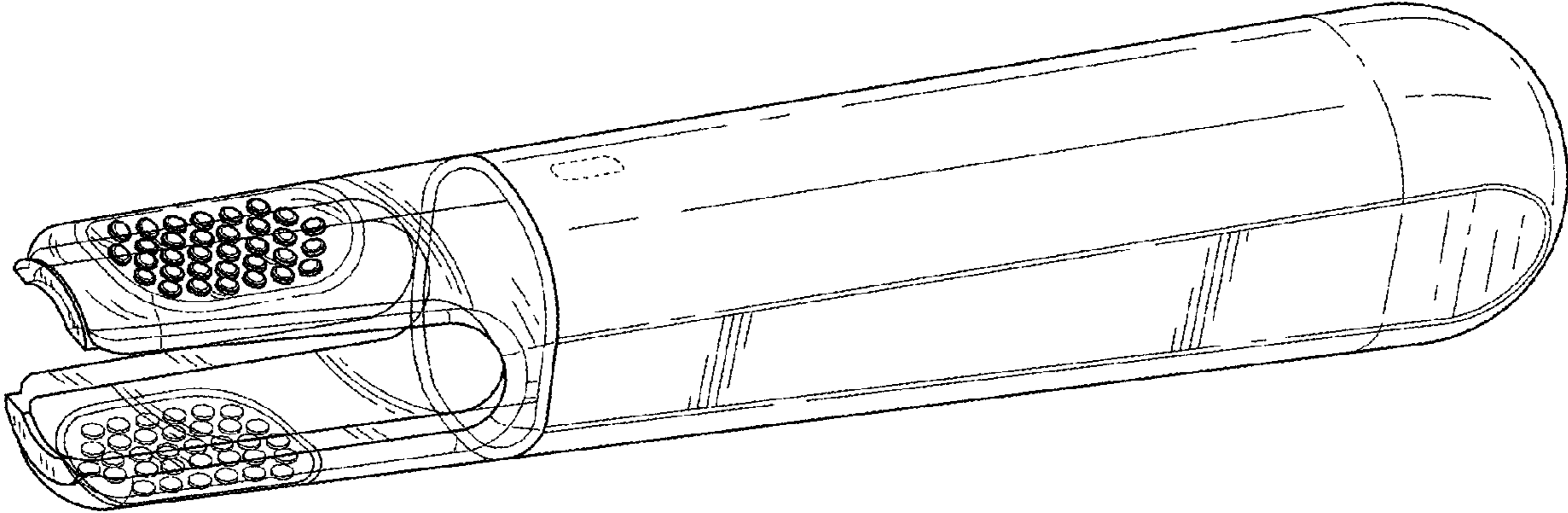


FIG. 10

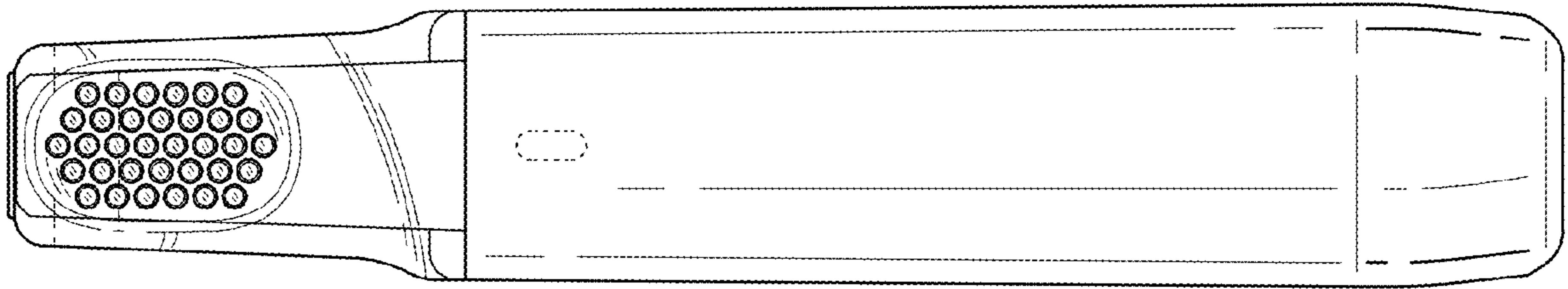


FIG. 11

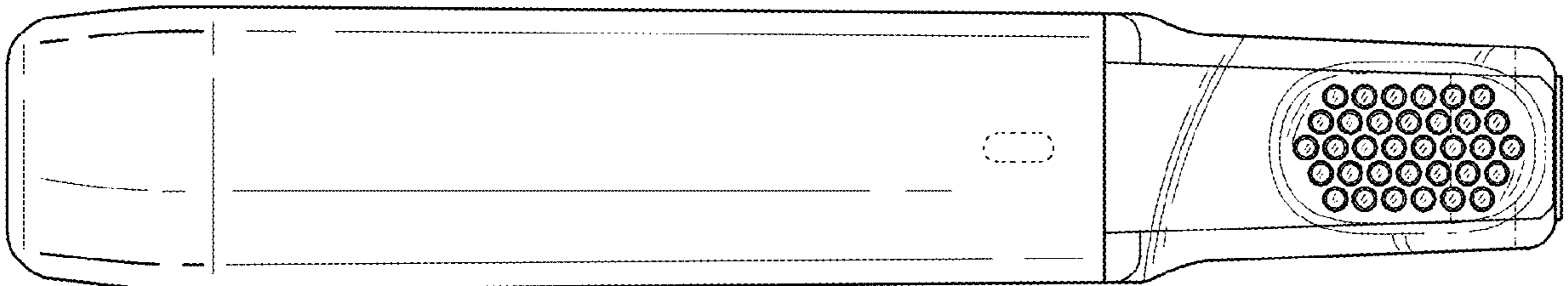


FIG. 12

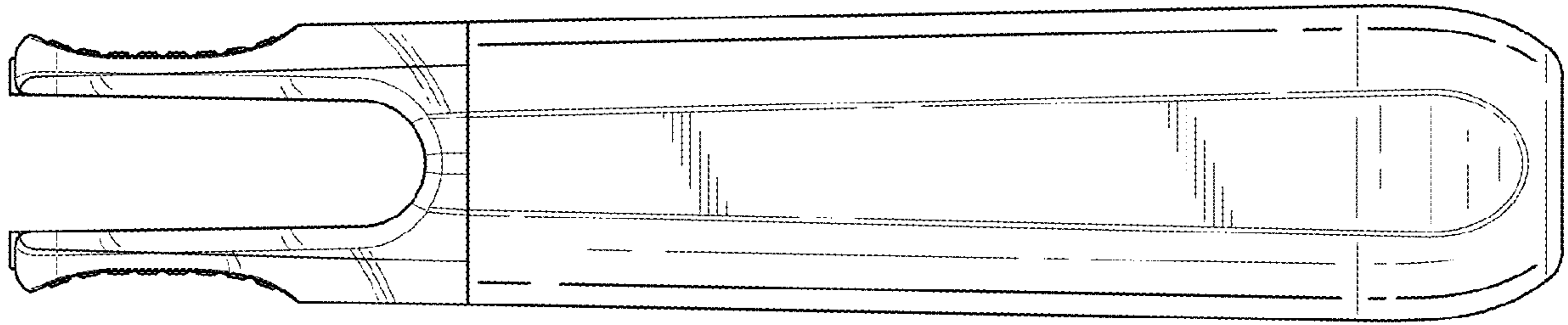


FIG. 13

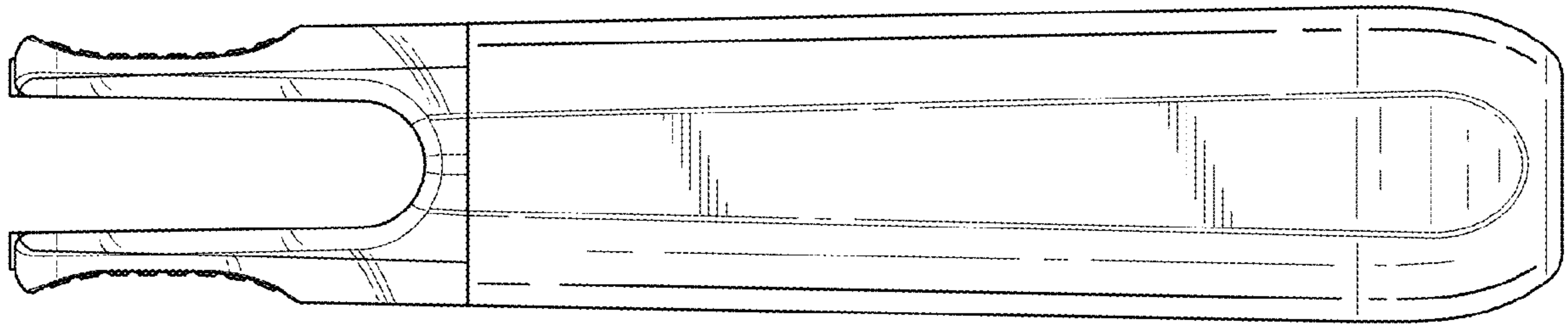


FIG. 14

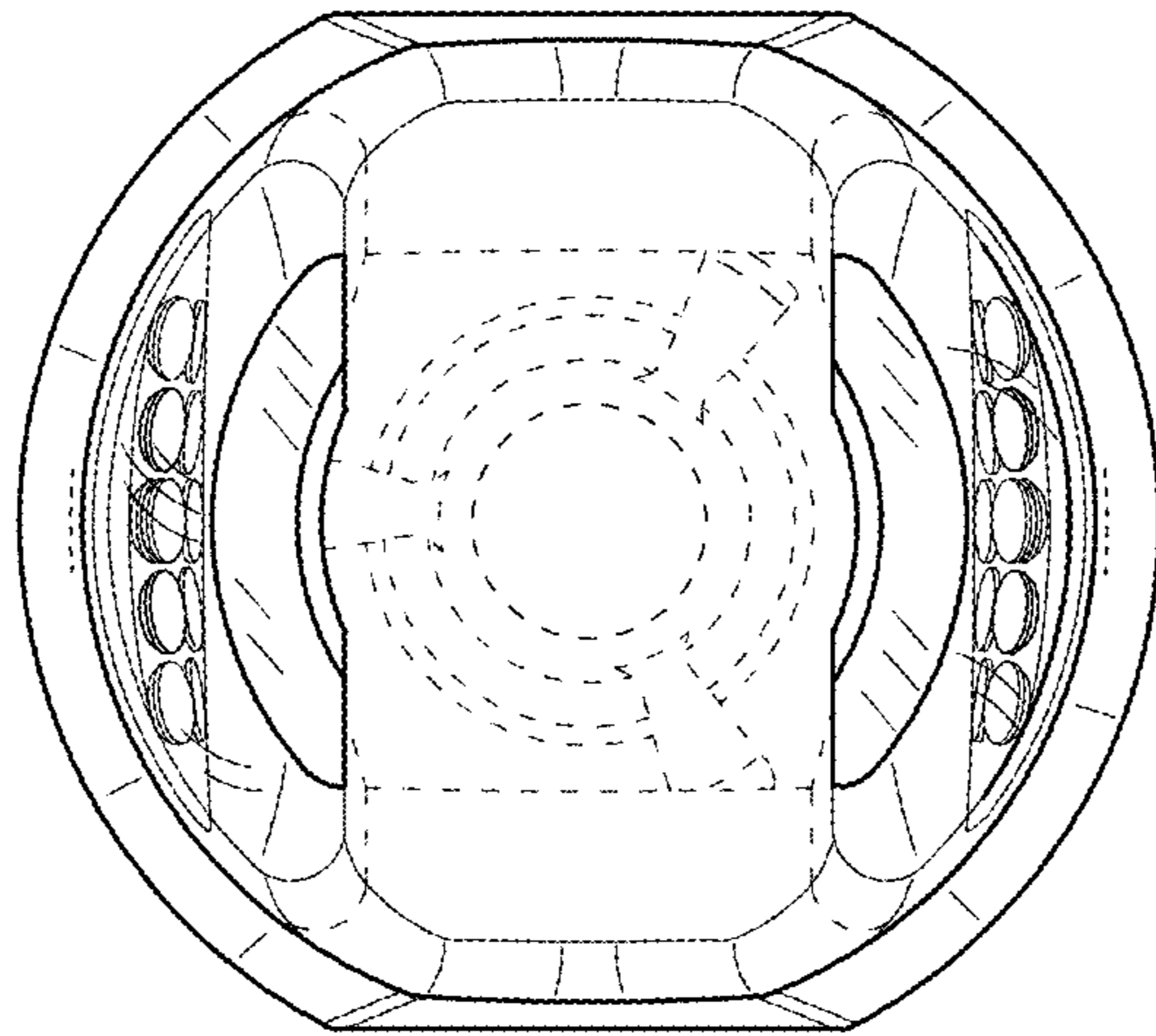


FIG. 15

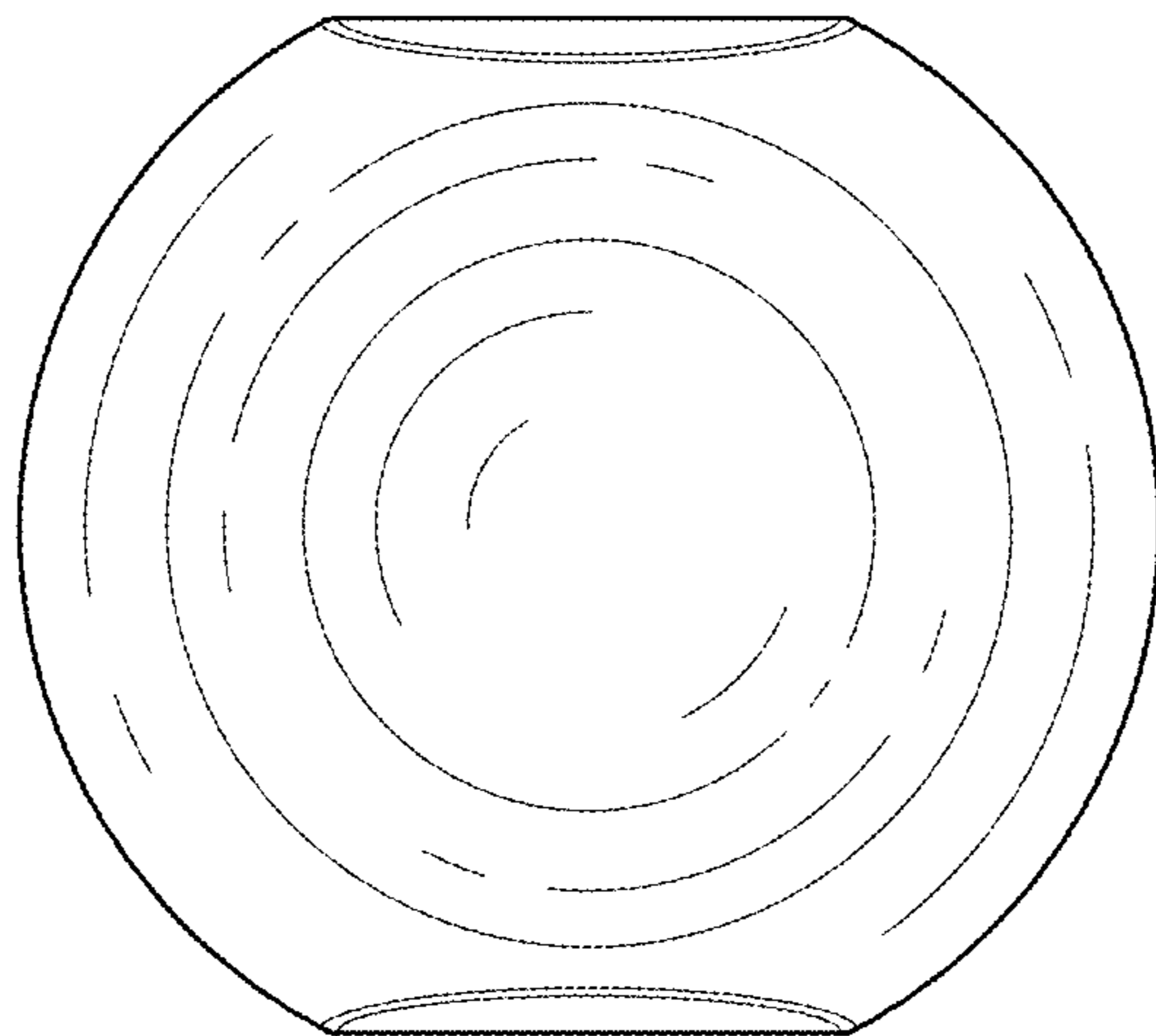


FIG. 16

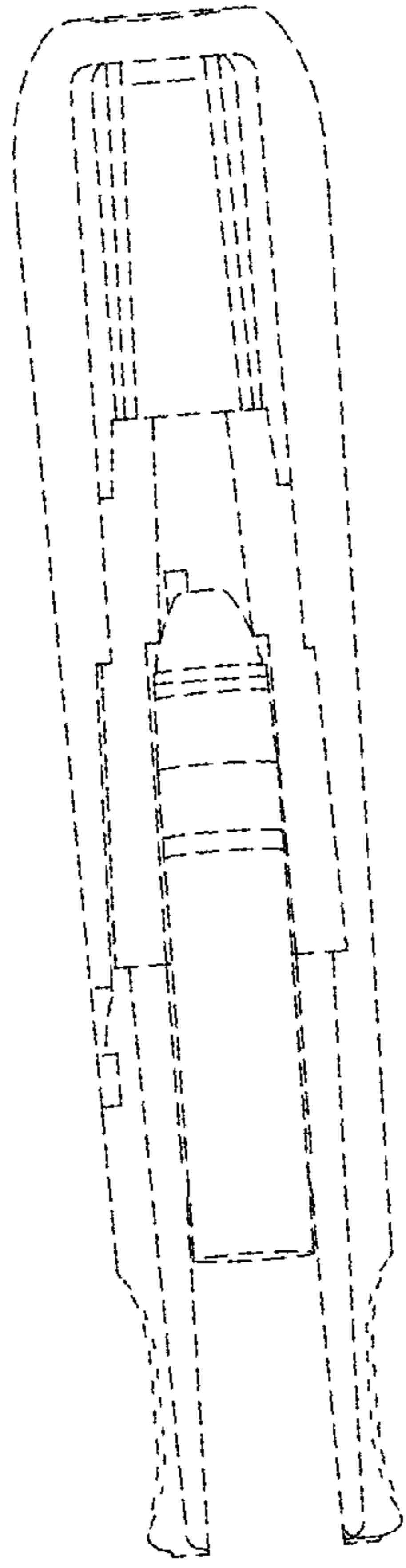


FIG. 17

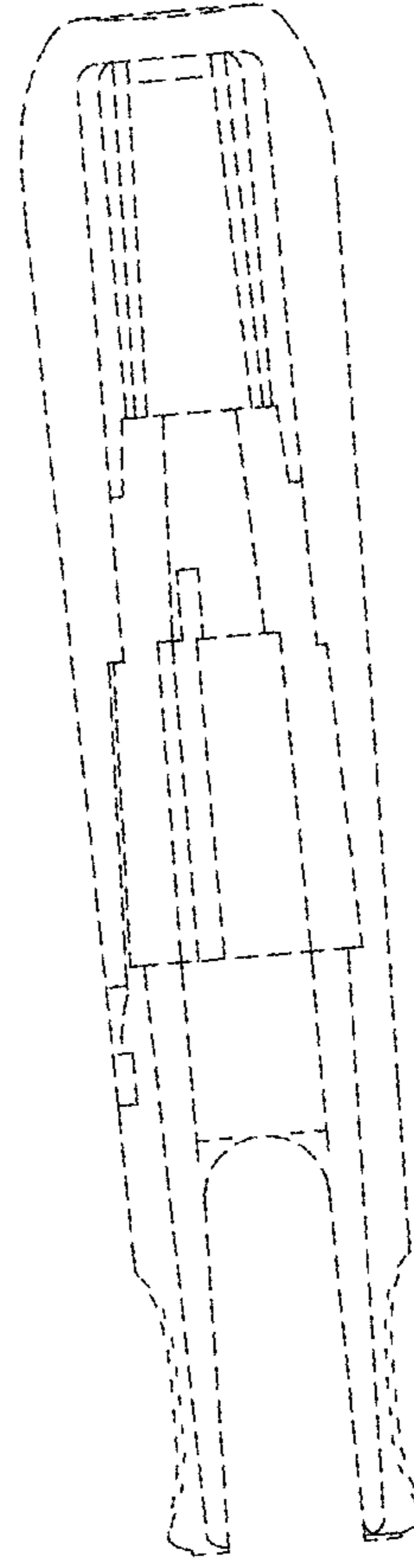


FIG. 18

