



US00D938576S

(12) **United States Design Patent** (10) **Patent No.:** **US D938,576 S**  
**Khera et al.** (45) **Date of Patent:** **\*\* Dec. 14, 2021**

(54) **HOSE CONNECTION MODULE FOR RESPIRATORY MASK**

(71) Applicant: **ResMed Pty Ltd**, Bella Vista (AU)

(72) Inventors: **Rahul Khera**, Sydney (AU); **Damien Julian Mazzone**, Sydney (AU); **Justin John Formica**, Sydney (AU)

(73) Assignee: **ResMed Pty Ltd**, Bella Vista (AU)

(\*\*) Term: **15 Years**

(21) Appl. No.: **29/753,275**

(22) Filed: **Sep. 30, 2020**

**Related U.S. Application Data**

(62) Division of application No. 29/710,893, filed on Oct. 28, 2019, which is a division of application No. 29/585,443, filed on Nov. 23, 2016, now Pat. No. Des. 865,158.

(51) **LOC (13) Cl.** ..... **29-02**

(52) **U.S. Cl.**  
USPC ..... **D24/110.4**

(58) **Field of Classification Search**  
USPC ..... D24/110-110.6, 127, 129; D29/110  
CPC ..... A61M 16/0616; A61M 16/0633; A61M 16/06; A61M 16/0666; A61M 16/0683; A61M 16/0605; A61M 16/0622; A61M 16/0644; A61M 16/0875; A61M 16/0816; A61M 16/08; B63C 11/205; B63C 11/16; B63C 11/186; B63C 11/12  
See application file for complete search history.

(56) **References Cited**

**U.S. PATENT DOCUMENTS**

D485,905 S \* 1/2004 Moore ..... D24/110.1  
D586,907 S 2/2009 Judson  
D623,288 S 9/2010 Lubke  
D656,231 S 3/2012 Henry

(Continued)

**OTHER PUBLICATIONS**

U.S. Appl. No. 29/710,893, filed Oct. 28, 2019, of Rahul Khera et al., for "Respiratory Mask Components," (parent application).

*Primary Examiner* — Sheryl Lane  
*Assistant Examiner* — Aula Soroush

(74) *Attorney, Agent, or Firm* — Nixon & Vanderhye P.C.

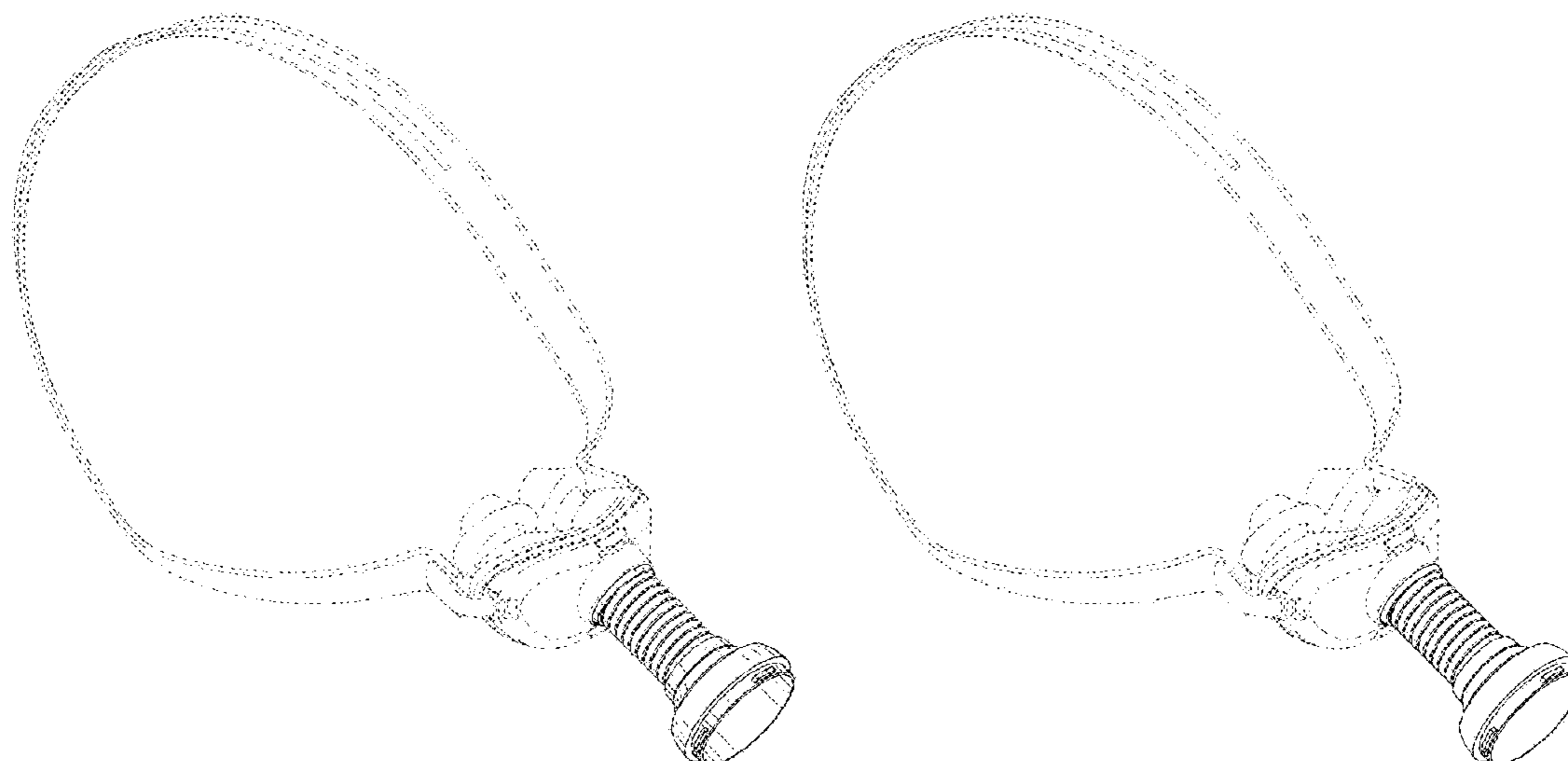
(57) **CLAIM**

The ornamental design for a hose connection module for respiratory mask, as shown and described.

**DESCRIPTION**

FIG. 1 is a front perspective view of a hose connection module for respiratory mask showing a first embodiment of our new design;  
FIG. 2 is an enlarged front perspective view thereof shown in isolation;  
FIG. 3 is a front view thereof;  
FIG. 4 is a rear view thereof;  
FIG. 5 is a top view thereof;  
FIG. 6 is a bottom view thereof;  
FIG. 7 is a left side view thereof;  
FIG. 8 is a right side view thereof;  
FIG. 9 is a front perspective view of a hose connection module for respiratory mask showing a second embodiment of our new design;  
FIG. 10 is an enlarged front perspective view thereof shown in isolation;  
FIG. 11 is a front view thereof;  
FIG. 12 is a rear view thereof;  
FIG. 13 is a top view thereof;  
FIG. 14 is a bottom view thereof;  
FIG. 15 is a left side view thereof; and,  
FIG. 16 is a right side view thereof.  
The broken lines represent environmental structure and do not form a portion of the claimed design.

**1 Claim, 16 Drawing Sheets**



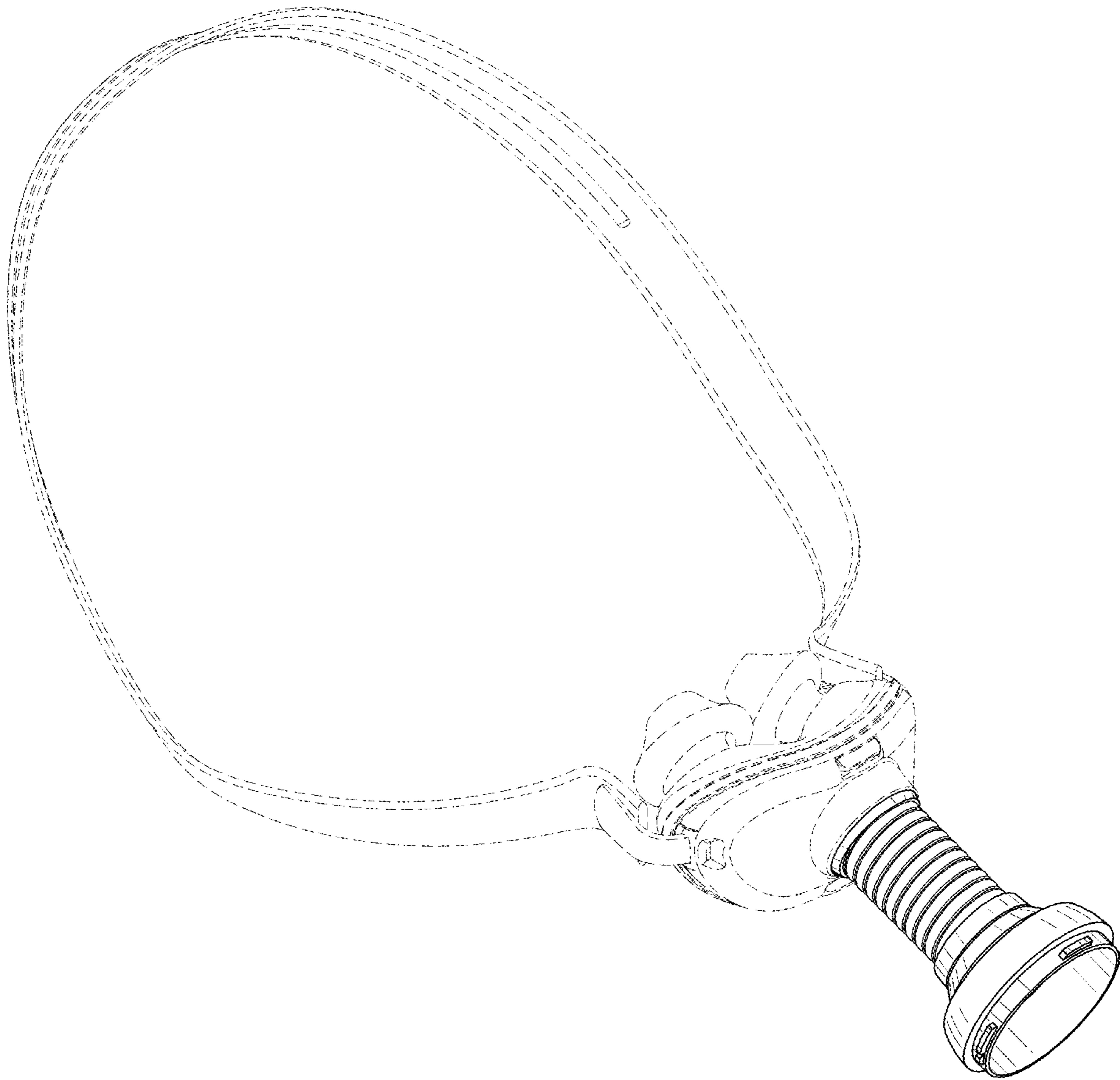
(56)

References Cited

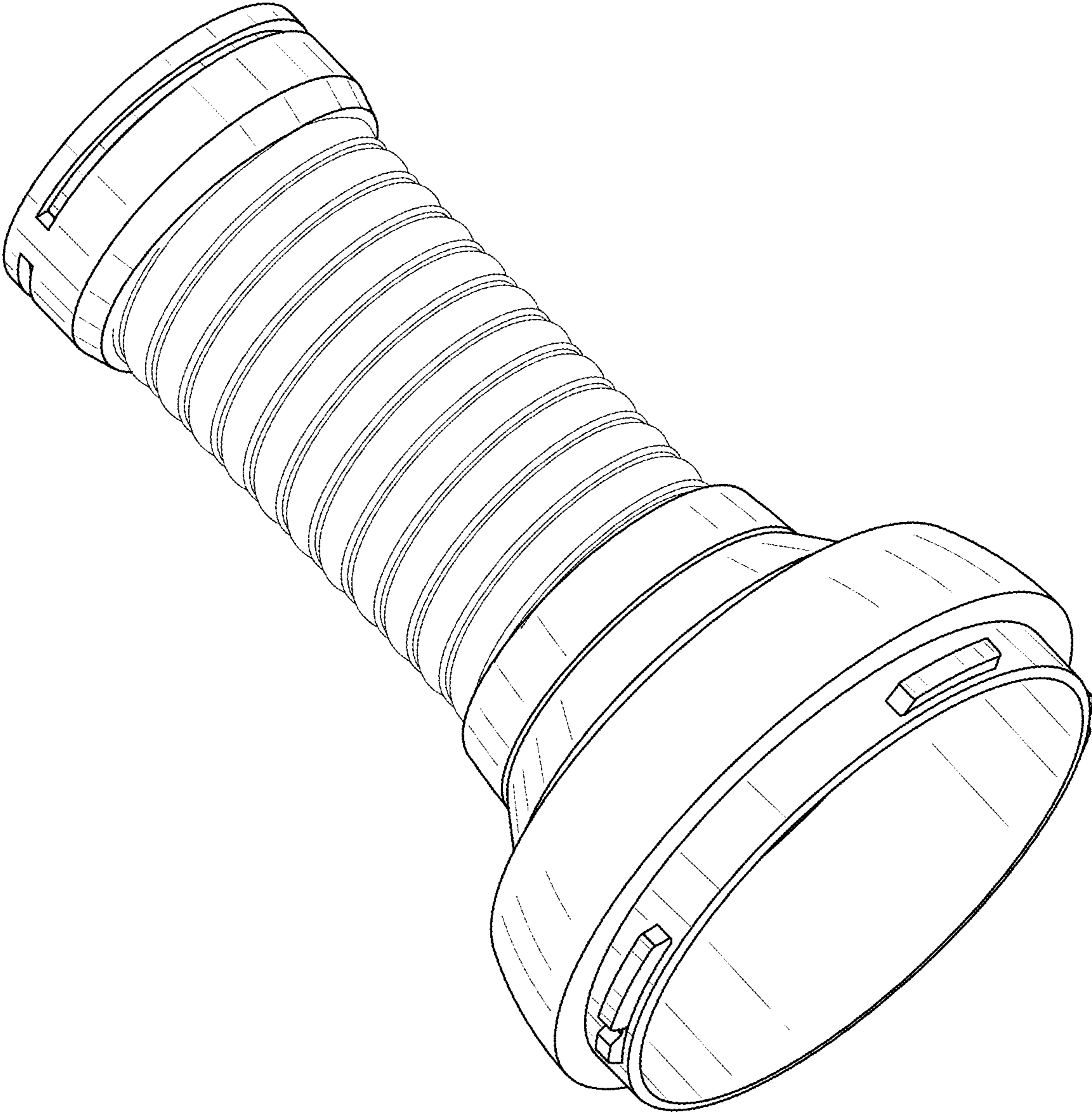
U.S. PATENT DOCUMENTS

D659,237 S *	5/2012	Lubke .....	D24/110.1	2011/0146685 A1*	6/2011	Allan .....	A61M 16/06 128/205.25
D664,250 S	7/2012	Scheiner		2012/0067349 A1*	3/2012	Barlow .....	A61M 16/06 128/205.25
D691,712 S	10/2013	Judson		2012/0090622 A1*	4/2012	Chang .....	A61M 16/0666 128/207.18
D692,554 S *	10/2013	Siew .....	D24/110.1	2012/0227738 A1	9/2012	Virr	
8,573,201 B2	11/2013	Rummery		2014/0000614 A1*	1/2014	Chang .....	A61M 16/0666 128/205.25
D704,329 S	5/2014	Collazo		2014/0283843 A1*	9/2014	Eves .....	A61M 11/00 128/206.24
D708,736 S	7/2014	Judson		2015/0151071 A1*	6/2015	Von Moger .....	A61M 39/1055 128/202.27
D737,953 S *	9/2015	Wells .....	D24/110	2016/0051784 A1*	2/2016	Eury .....	A61M 16/0666 128/207.18
D740,935 S	10/2015	Cullen		2016/0074614 A1*	3/2016	Huddart .....	A61M 16/0683 128/204.18
D743,535 S	11/2015	Wells		2016/0082217 A1*	3/2016	McLaren .....	A61M 16/0666 128/207.11
D751,687 S	3/2016	Daly		2016/0151596 A1*	6/2016	Slight .....	A61M 16/0622 128/207.18
D757,252 S	5/2016	Von Moger		2016/0213878 A1	7/2016	Browning, Jr.	
D764,049 S	8/2016	Cullen		2016/0287830 A1*	10/2016	Walls .....	A61M 16/0683
D770,036 S *	10/2016	Walls .....	D24/110.4	2017/0000964 A1	1/2017	Shafer	
D787,661 S	5/2017	Edwards		2017/0100556 A1	4/2017	Munkelt	
D787,662 S	5/2017	Guney		2017/0368285 A1	12/2017	Wood	
D794,772 S	8/2017	Cullen		2018/0001044 A1	1/2018	Stephens	
D805,630 S	12/2017	Formica					
D808,516 S	1/2018	Edwards					
D865,158 S	10/2019	Khera et al.					
2007/0181130 A1	8/2007	Worley					
2010/0116272 A1	5/2010	Row					
2010/0313891 A1*	12/2010	Veliss .....	A61M 16/06 128/206.26				

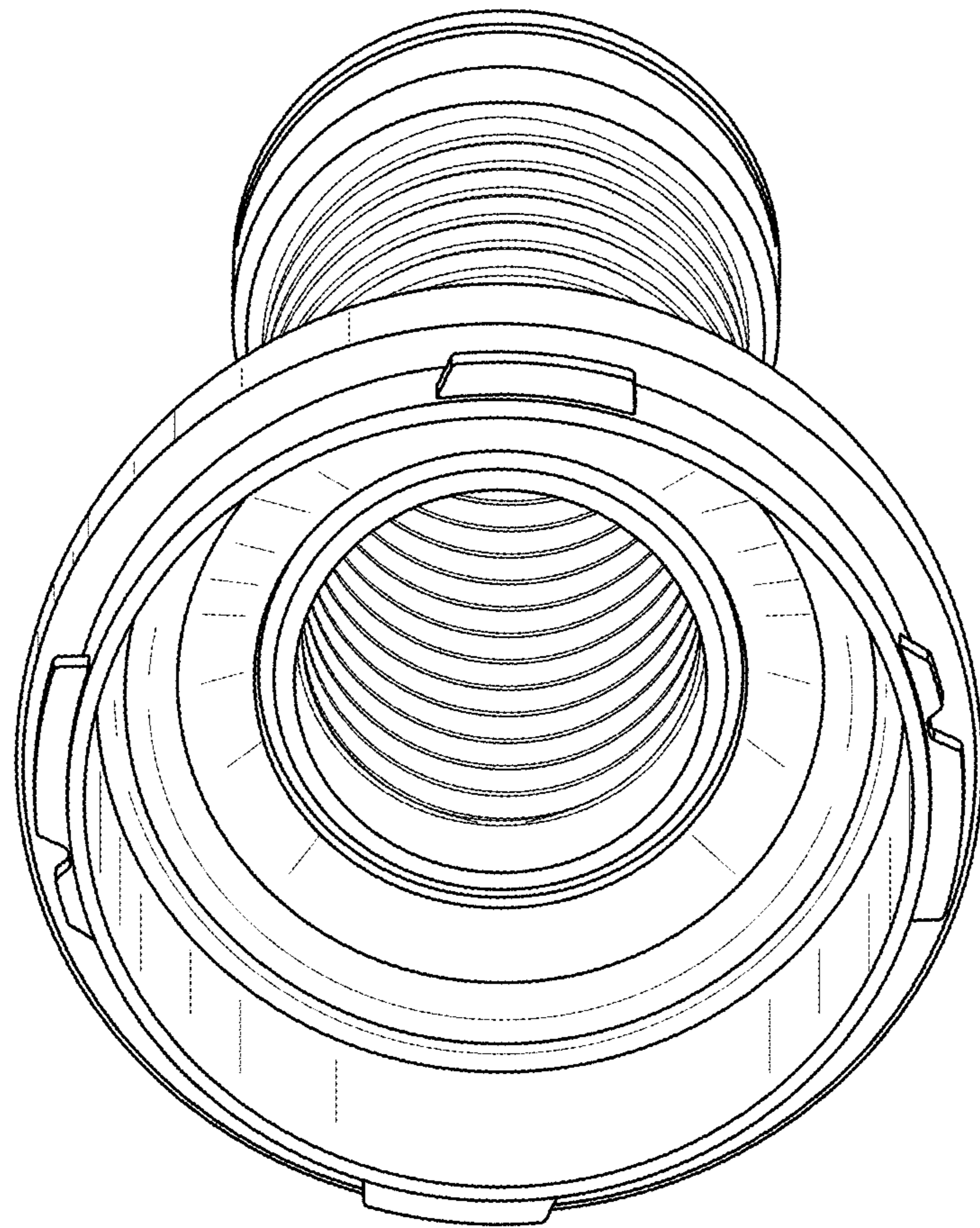
\* cited by examiner



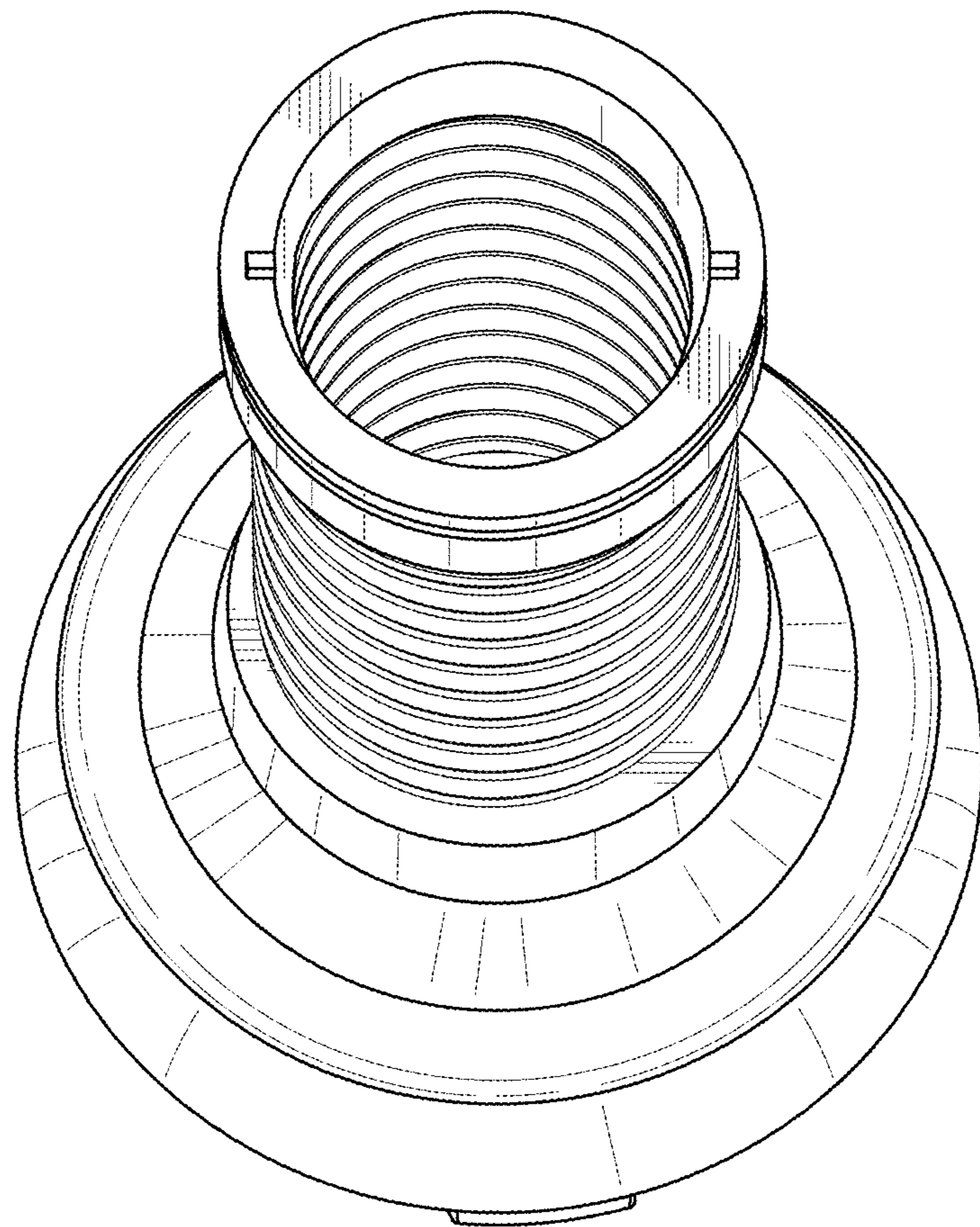
**FIG. 1**



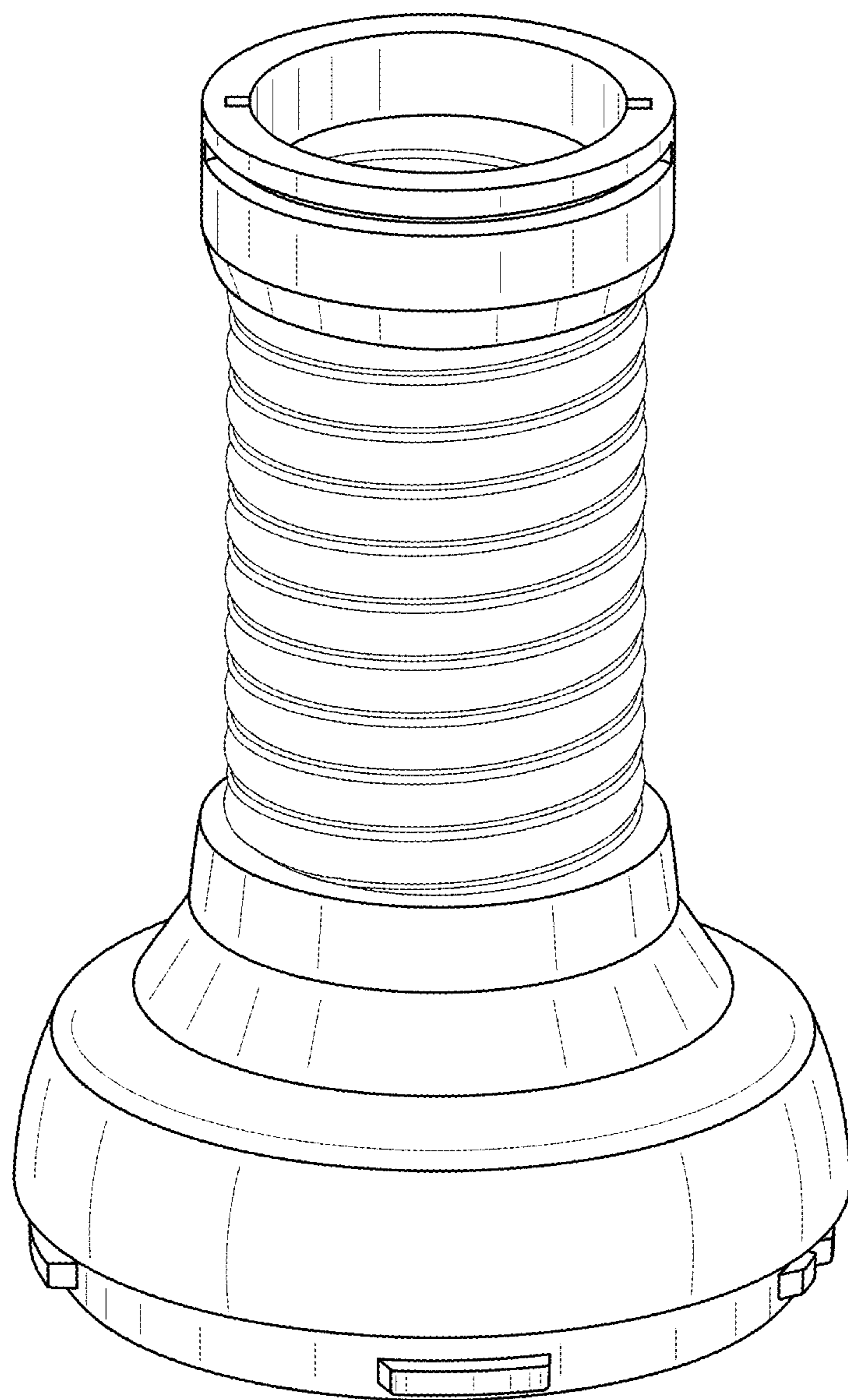
**FIG. 2**



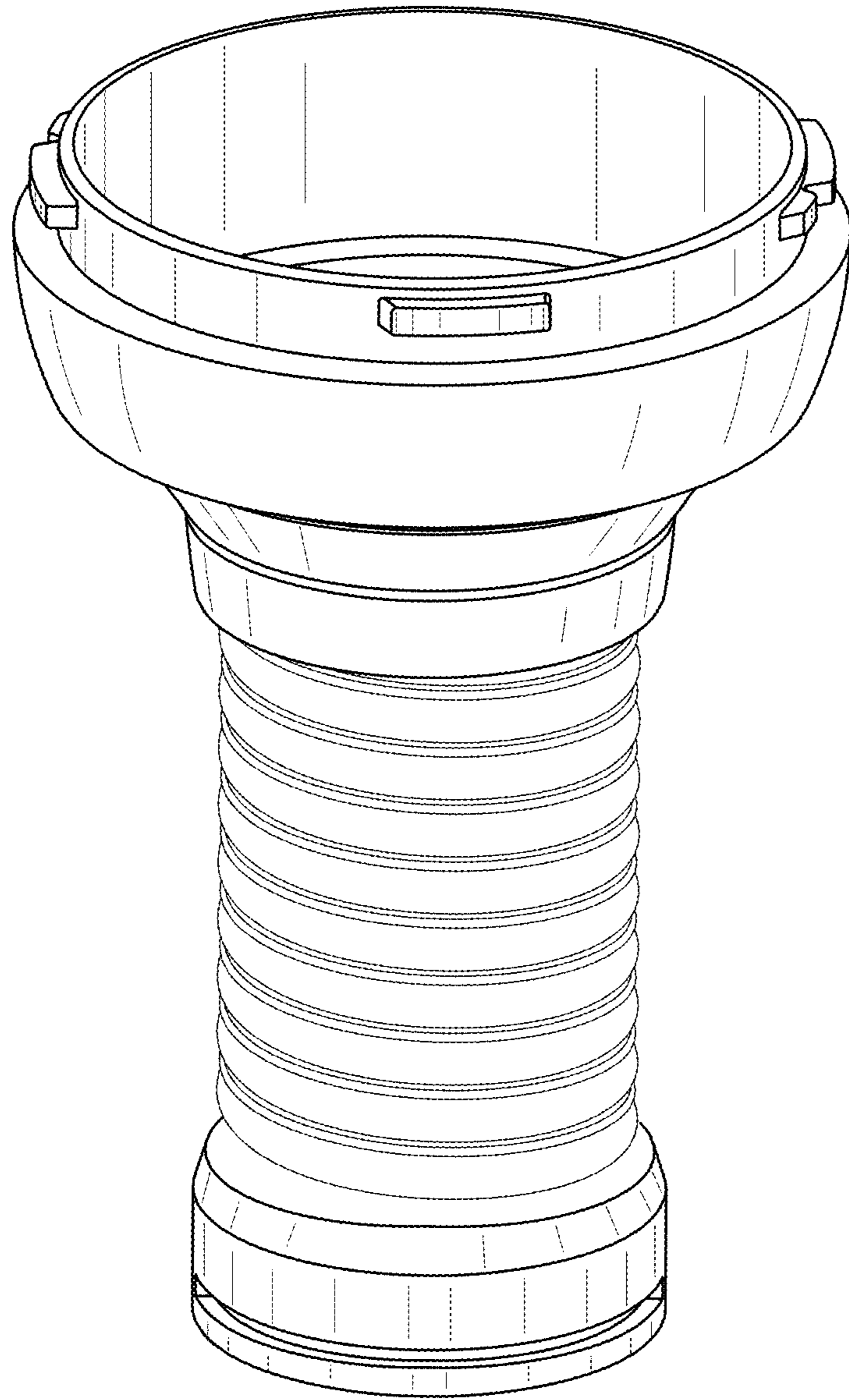
**FIG. 3**



**FIG. 4**

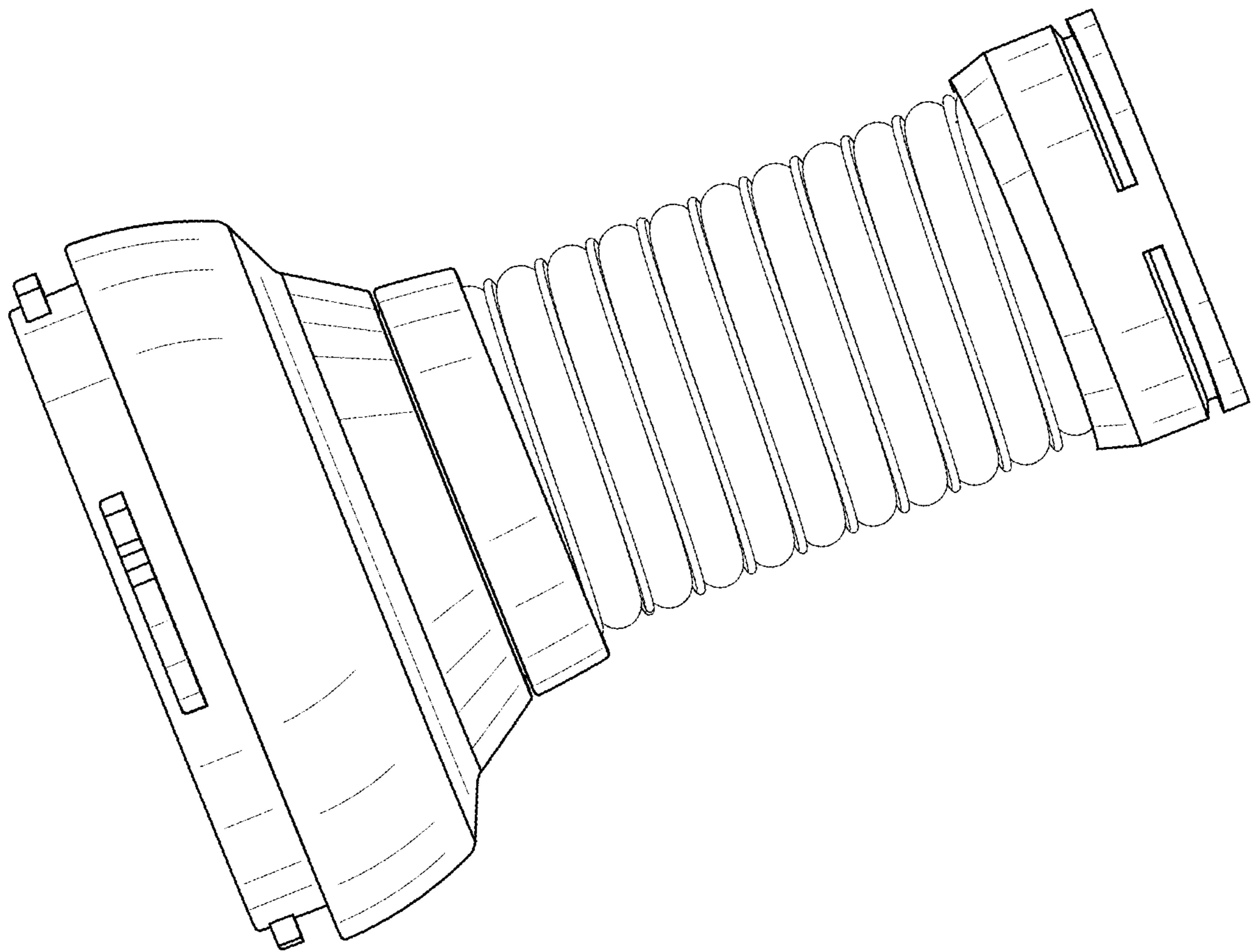


**FIG. 5**

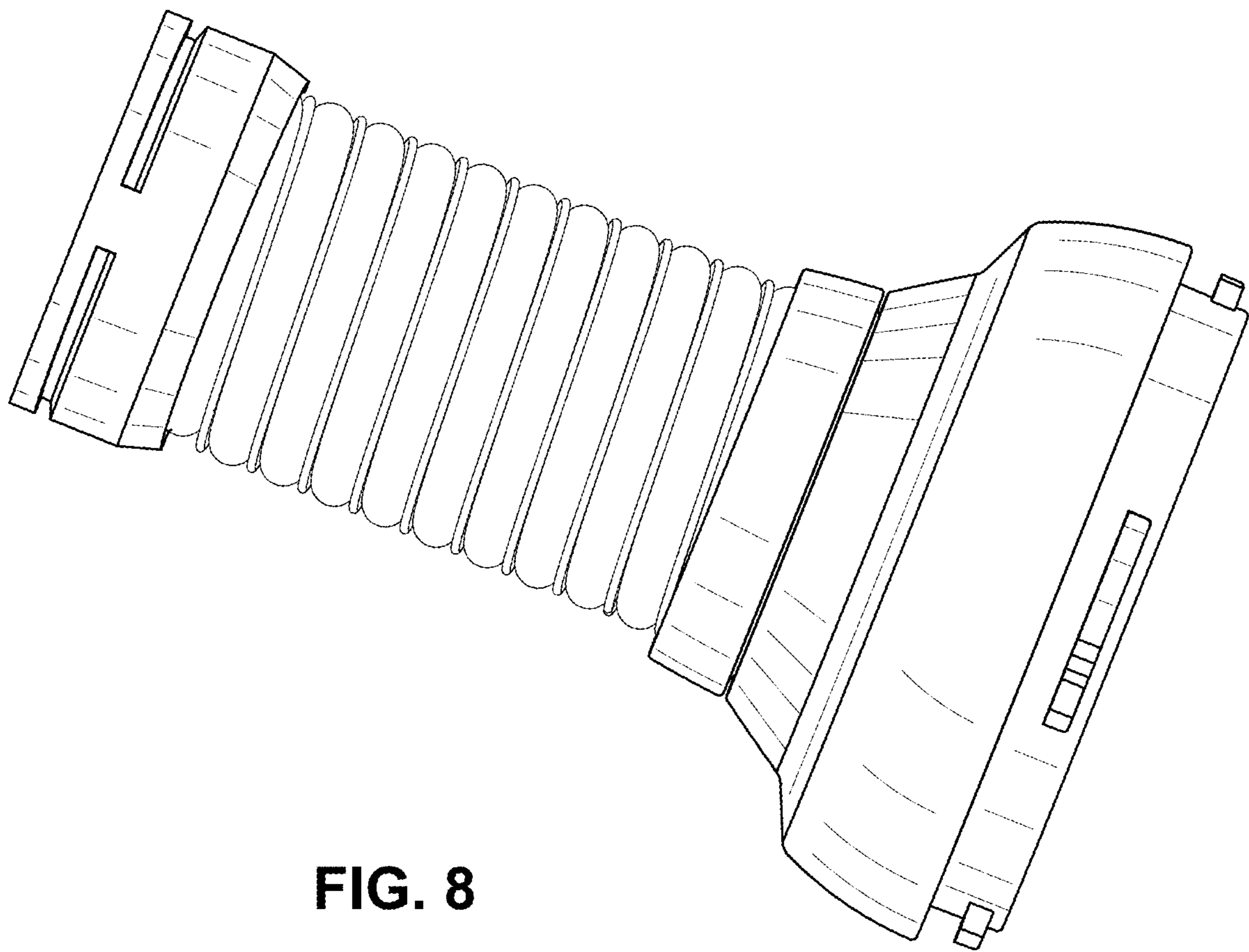


**FIG. 6**

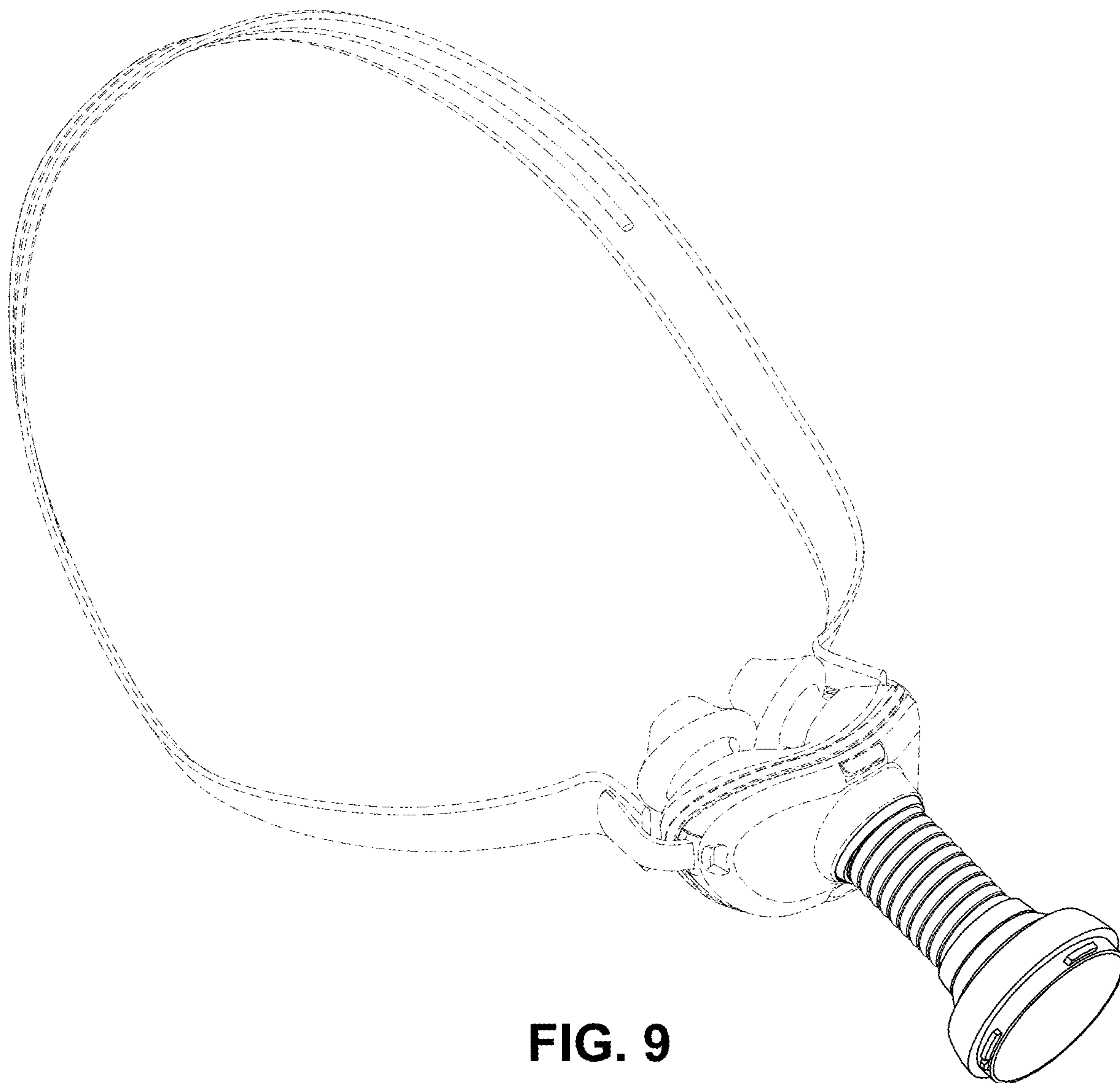




**FIG. 7**



**FIG. 8**



**FIG. 9**

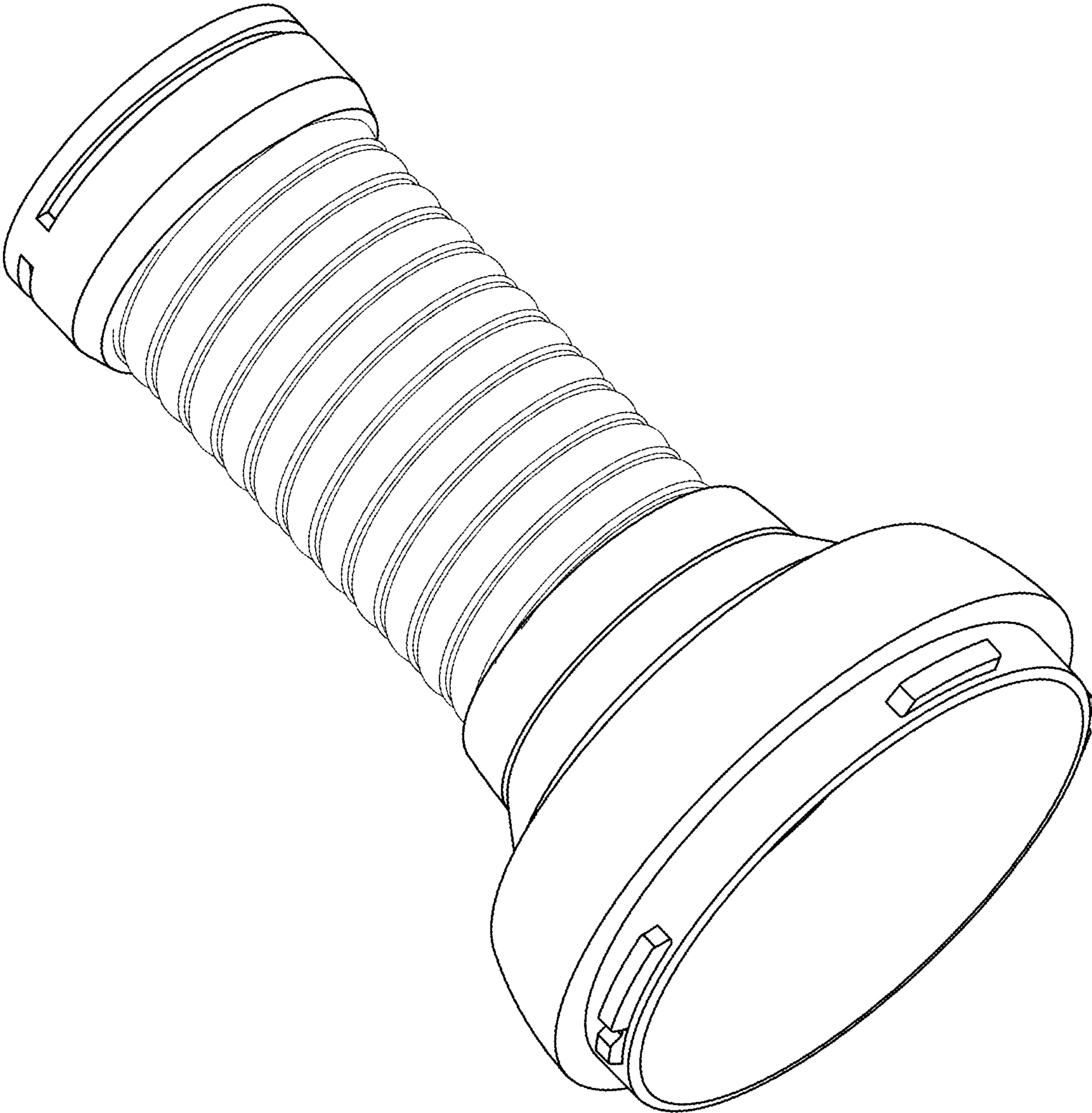
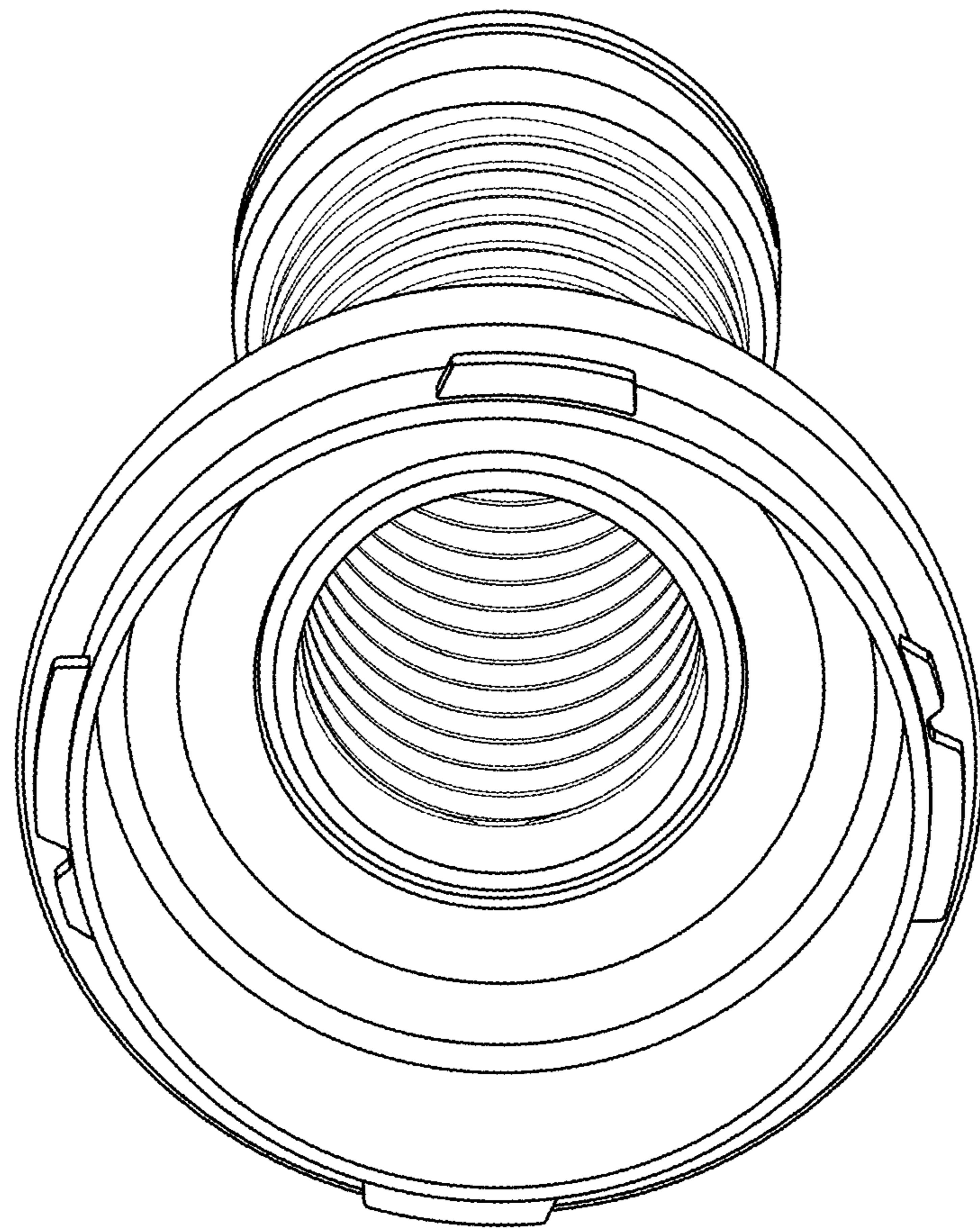
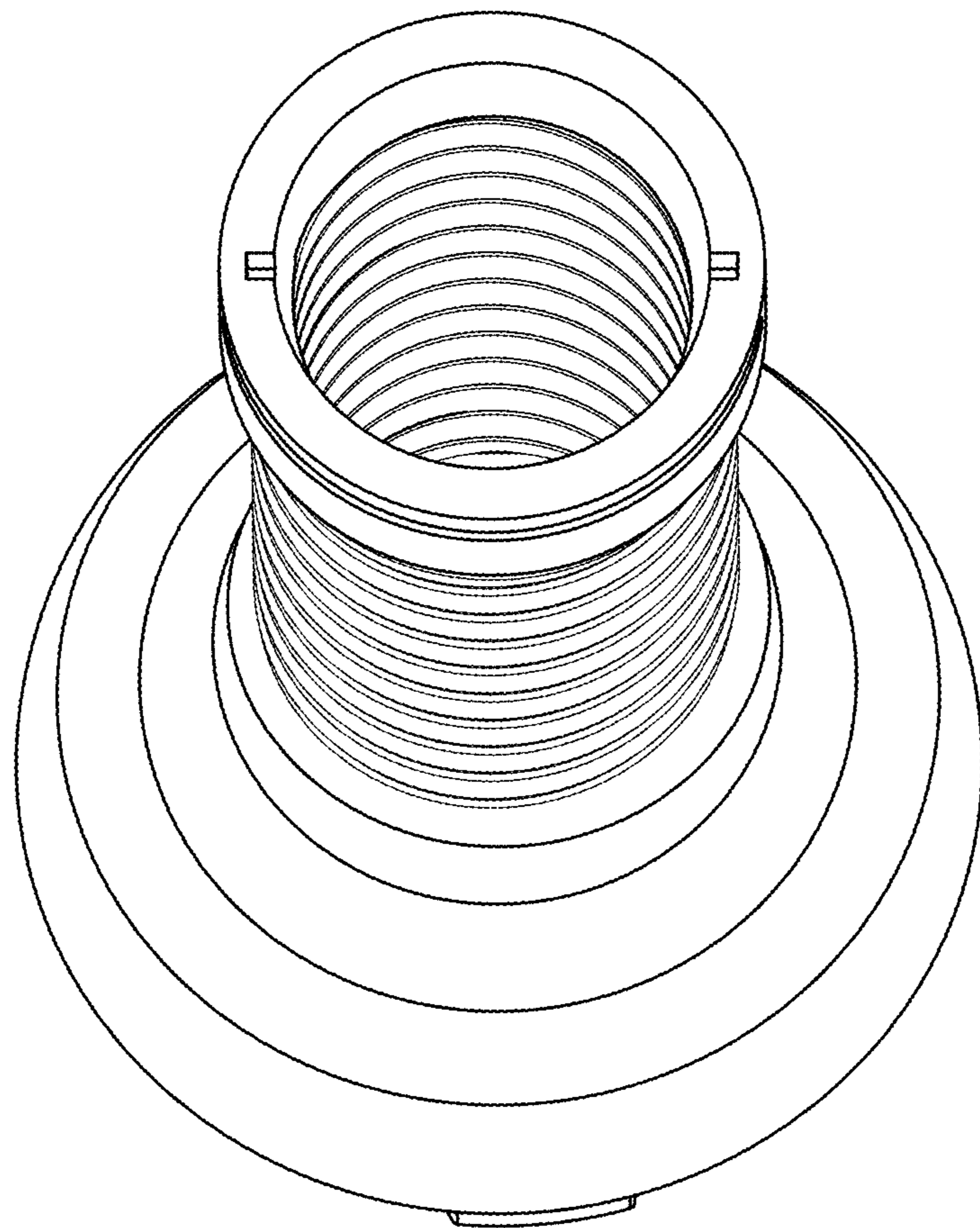


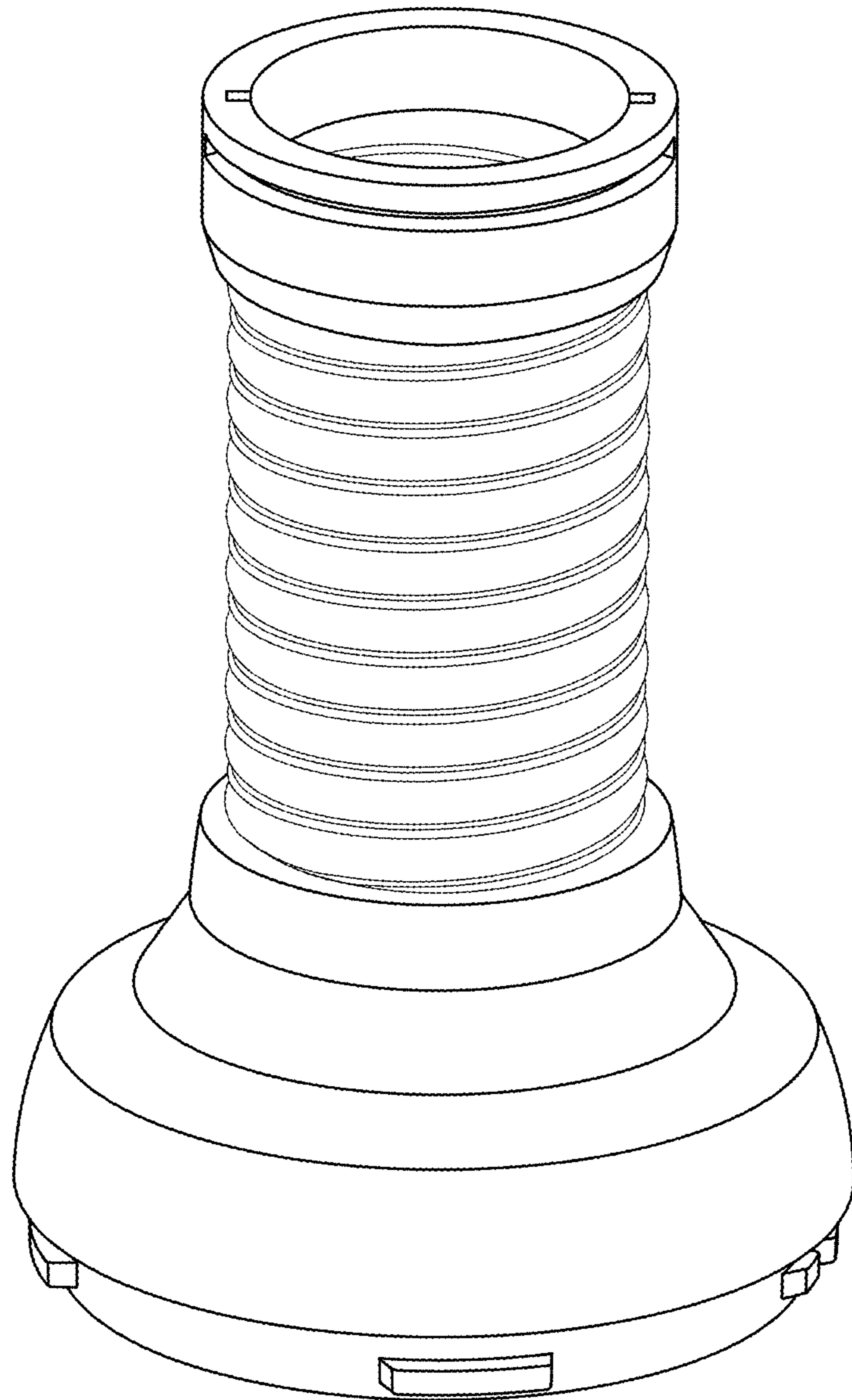
FIG. 10



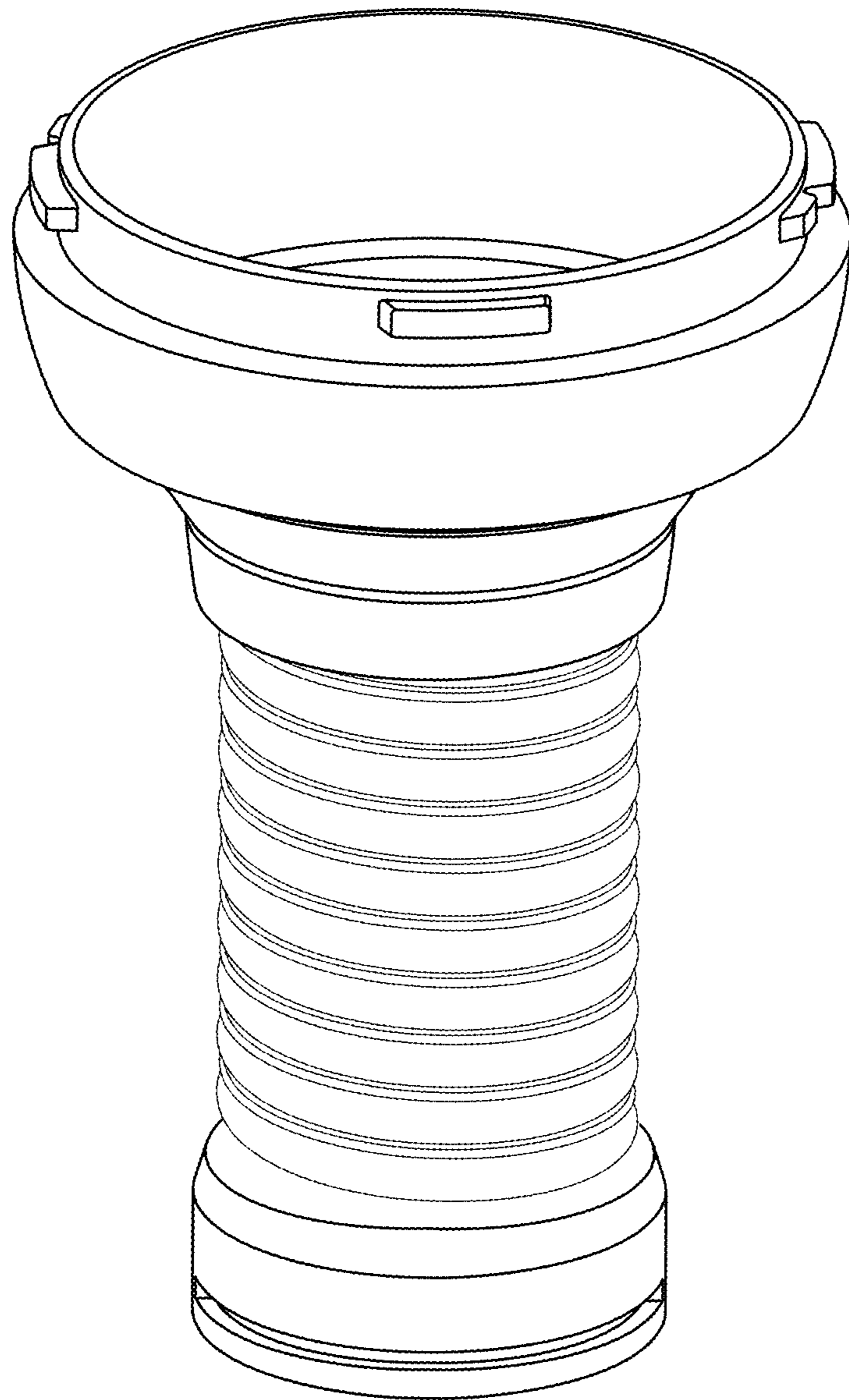
**FIG. 11**



**FIG. 12**

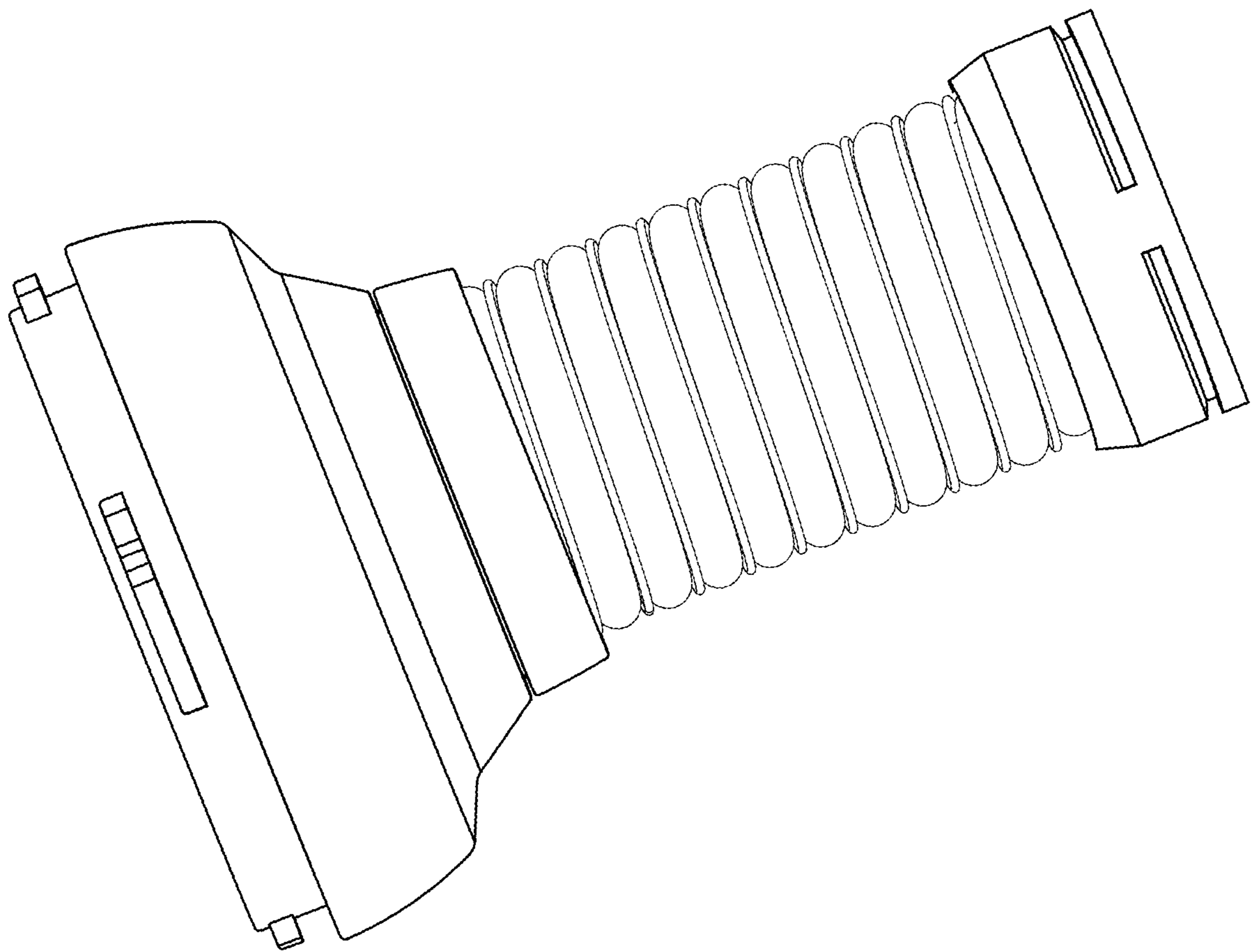


**FIG. 13**

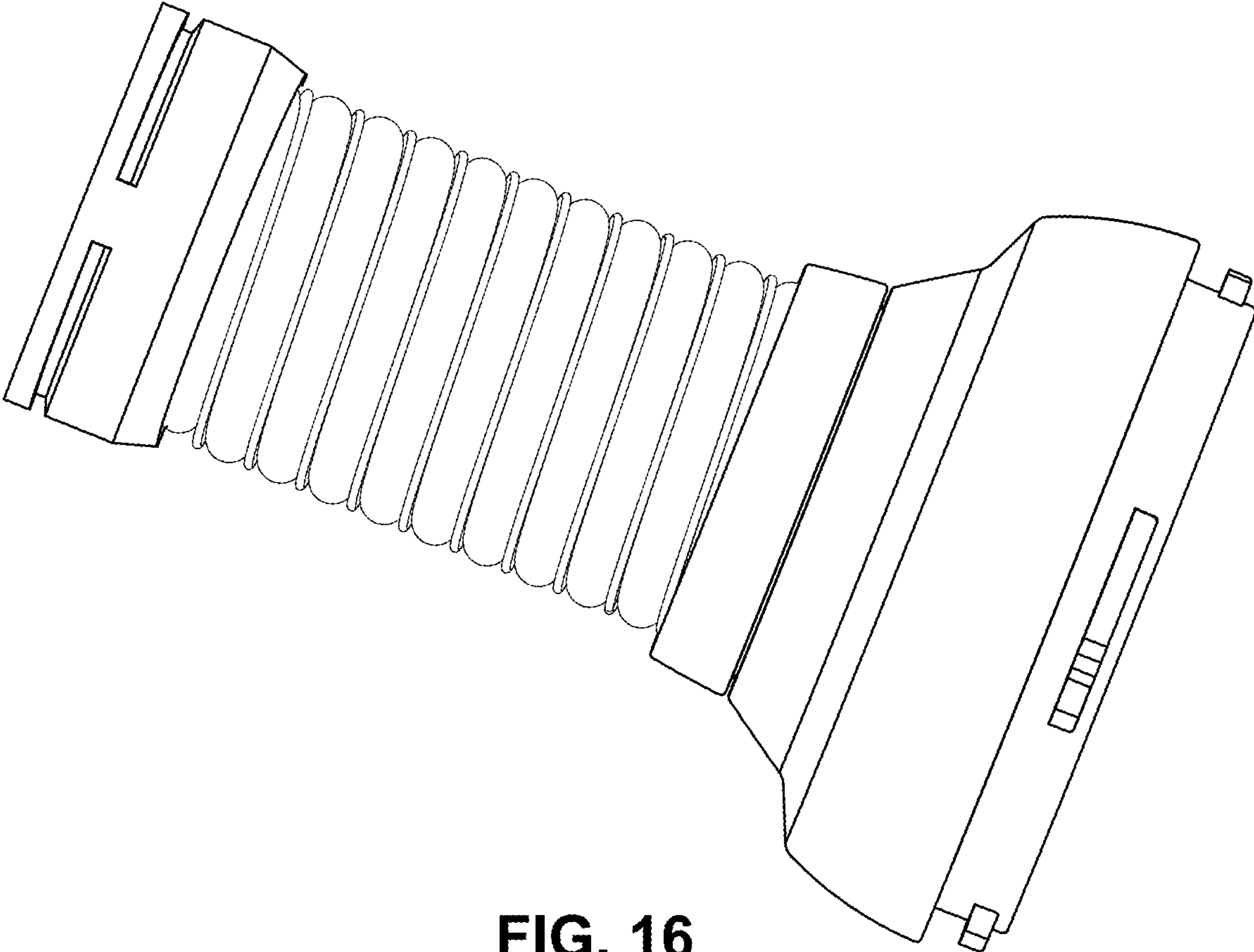


**FIG. 14**





**FIG. 15**



**FIG. 16**