



US00D938575S

(12) **United States Design Patent**
Niedermann

(10) **Patent No.:** **US D938,575 S**

(45) **Date of Patent:** **** Dec. 14, 2021**

- (54) **PERSONAL INHALING DEVICE**
- (71) Applicant: **Dirk Niedermann**, Chicago, IL (US)
- (72) Inventor: **Dirk Niedermann**, Chicago, IL (US)
- (**) Term: **15 Years**
- (21) Appl. No.: **29/775,705**
- (22) Filed: **Mar. 24, 2021**

6,705,312	B2 *	3/2004	Tanaka	A61M 15/00
					128/200.14
6,955,650	B2 *	10/2005	Mault	A61B 5/0833
					600/529
D752,206	S *	3/2016	Genord	D24/110
D884,876	S *	5/2020	Jung	D24/110
D893,703	S *	8/2020	Bogan	D24/110
D894,371	S *	8/2020	Farone	D24/110
D895,101	S *	9/2020	Zhao	D24/110
2002/0112720	A1 *	8/2002	Abate	A61M 11/06
					128/200.21
2014/0090644	A1 *	4/2014	Aldana	A61M 16/12
					128/203.23
2017/0303822	A1 *	10/2017	Allsworth	B01D 46/0028
2019/0351155	A1 *	11/2019	Montagnino	A61F 7/0085

Related U.S. Application Data

- (63) Continuation-in-part of application No. 29/649,147, filed on May 26, 2018, now abandoned.
- (51) **LOC (13) Cl.** **24-04**
- (52) **U.S. Cl.**
USPC **D24/110**
- (58) **Field of Classification Search**
USPC D24/110, 110.1, 110.4, 127, 128, 164, D24/108, 112-115
CPC .. A61M 15/0021; A61M 15/00; A61M 11/04; A61M 15/0086; A61M 2205/8206; A61M 15/009; A61M 15/0085; A61M 16/06; A61M 11/02; A61M 11/005
See application file for complete search history.

* cited by examiner

Primary Examiner — Lilyana Bekic

(74) *Attorney, Agent, or Firm* — Steven Ivy P.C.

(57) **CLAIM**

I claim the ornamental design for a personal inhaling device, as shown and described.

DESCRIPTION

FIG. 1 is a front elevation view of a personal inhaling device showing our new design;
 FIG. 2 is a right side elevational view thereof, the left side elevational view is a mirror image of the right side;
 FIG. 3 is a top plan view thereof;
 FIG. 4 is a front perspective view thereof;
 FIG. 5 is a rear elevational view thereof; and,
 FIG. 6 is a bottom plan view thereof.

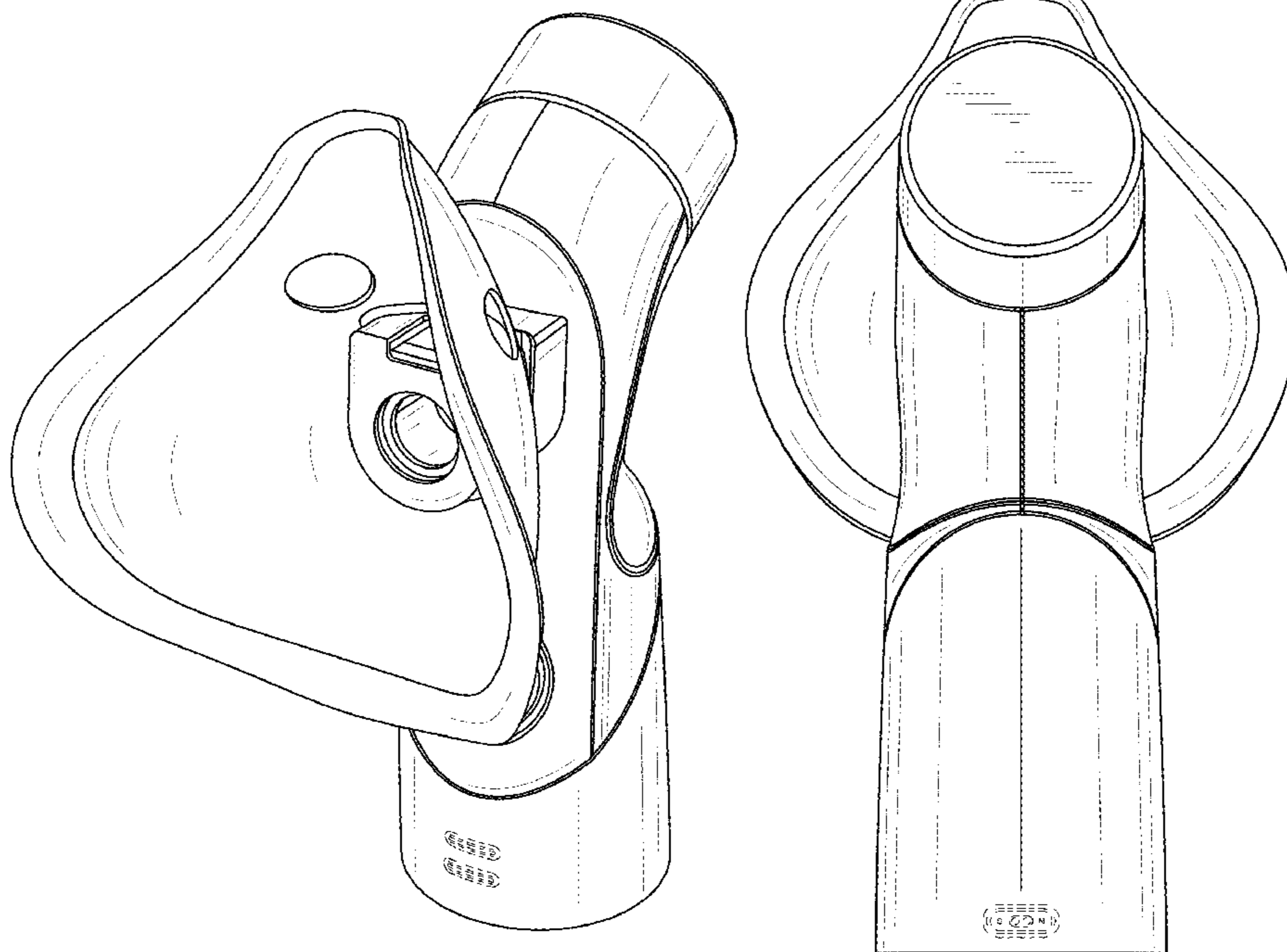
The broken lines in the drawings depict portions of the personal inhaling device that form no part of the claimed design.

(56) **References Cited**

U.S. PATENT DOCUMENTS

D191,733	S *	11/1961	Schmahl	D24/110
3,115,134	A *	12/1963	Schmahl	A61M 15/0015
					128/203.27
D198,487	S *	6/1964	Ferris	D24/110
5,765,553	A *	6/1998	Richards	A61M 16/06
					128/200.14

1 Claim, 6 Drawing Sheets



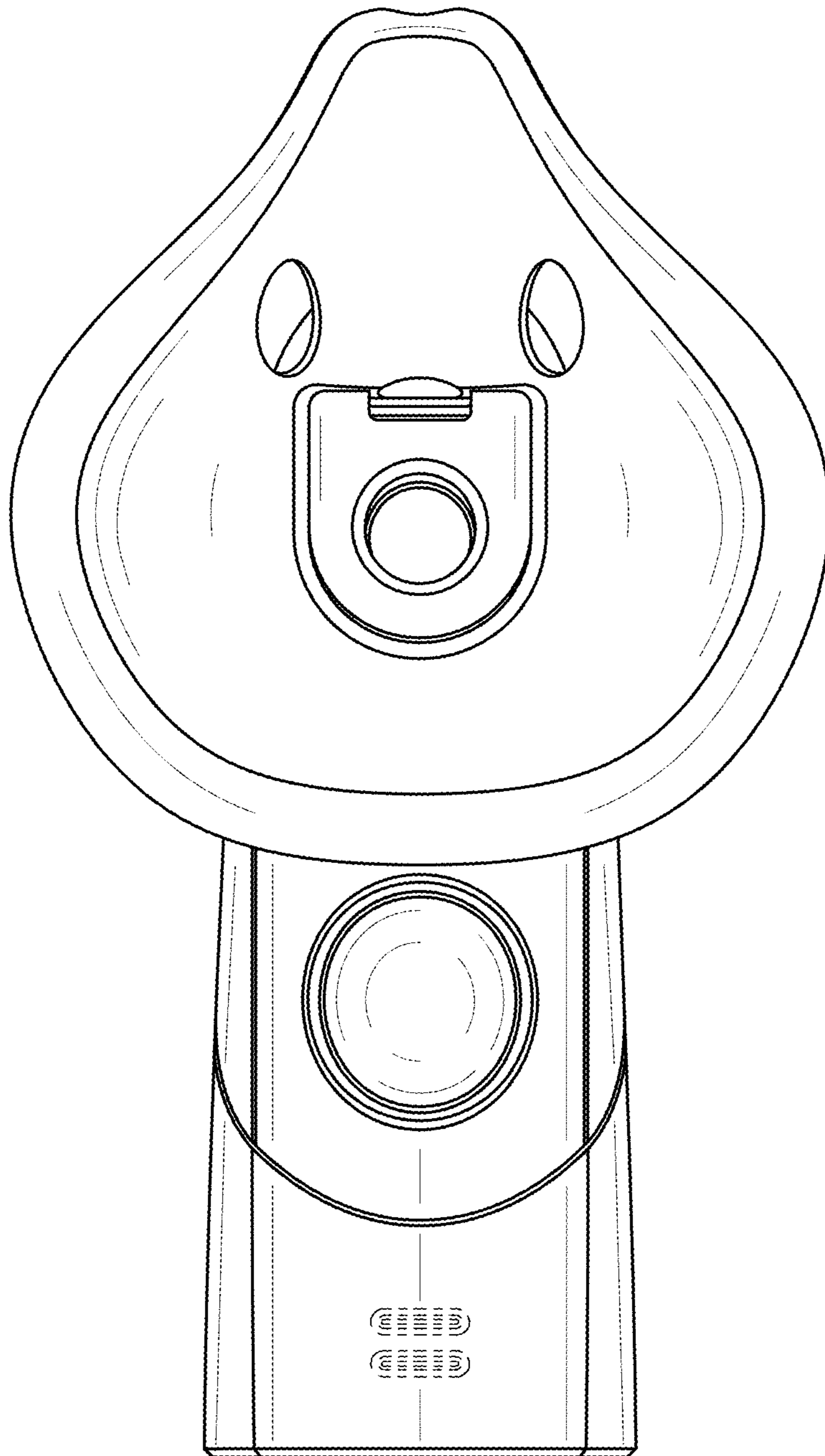


FIG. 1

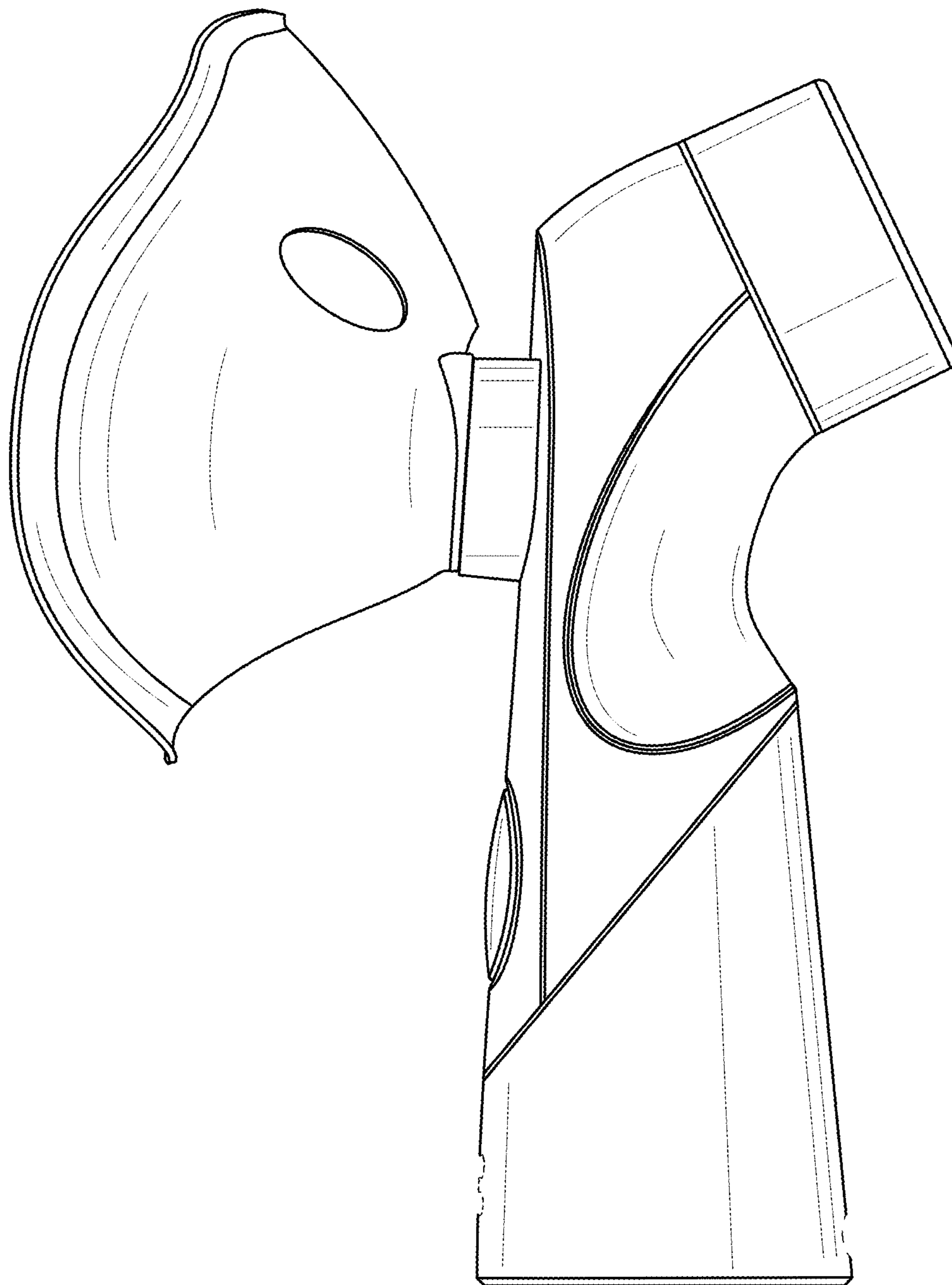


FIG. 2

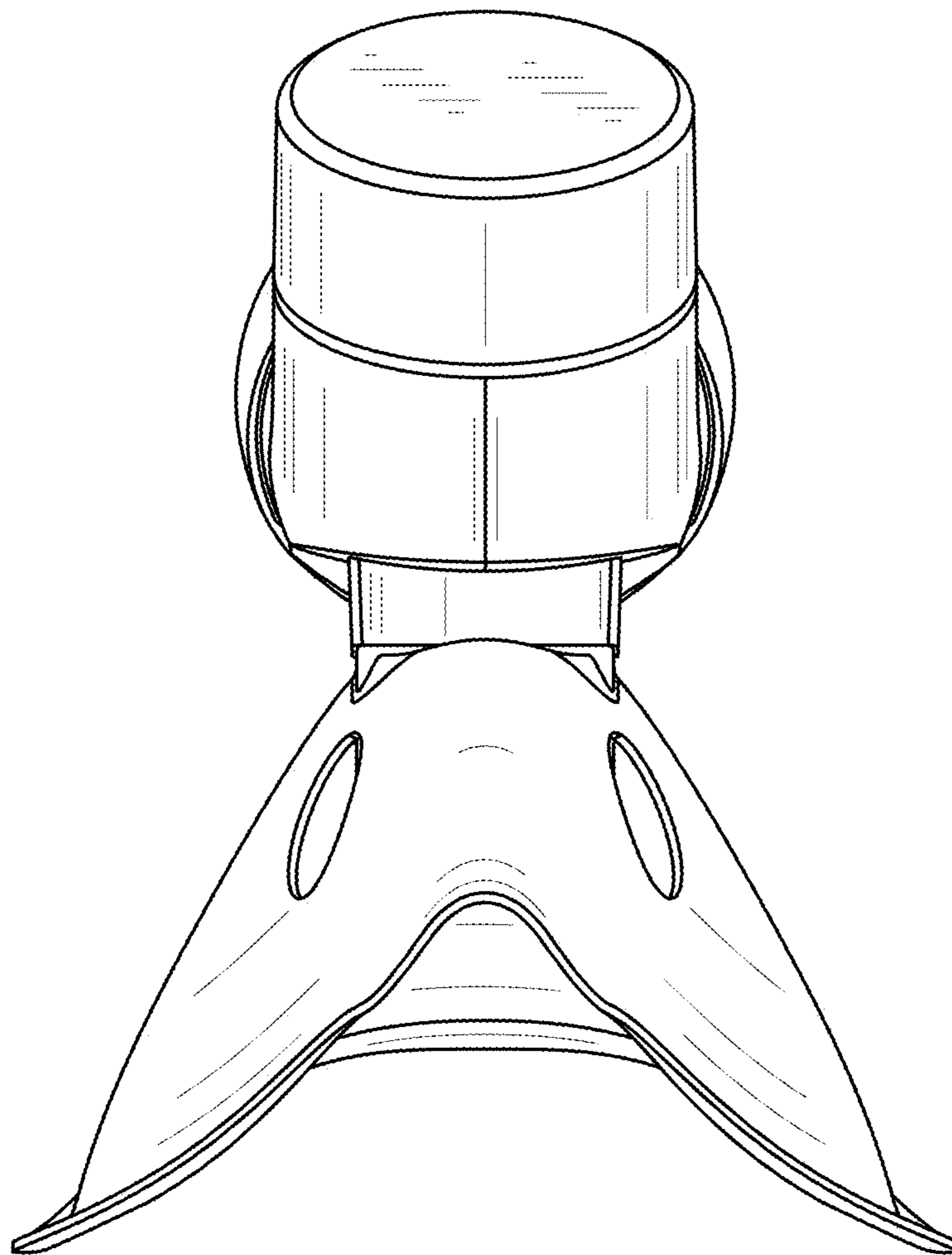


FIG. 3

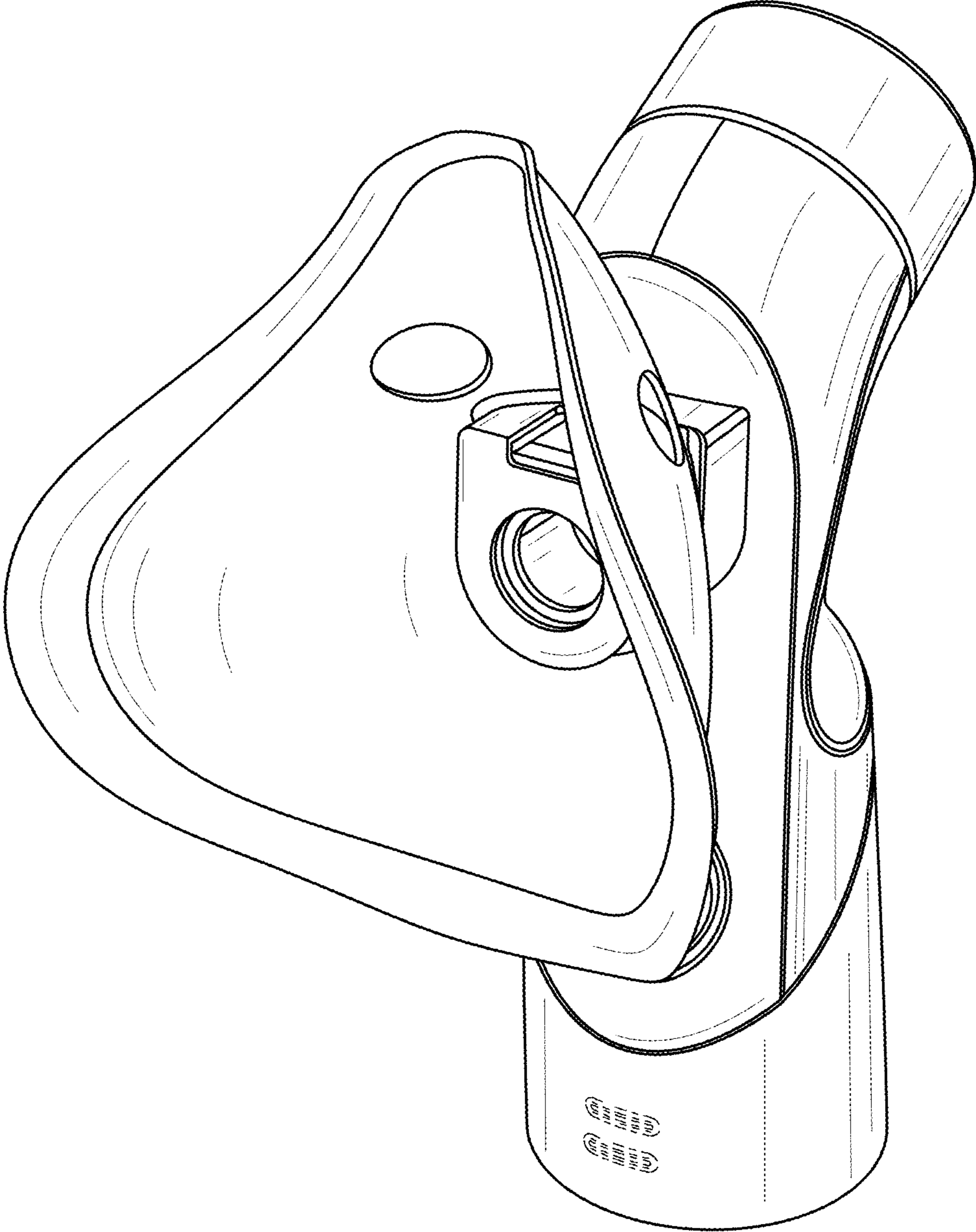


FIG. 4

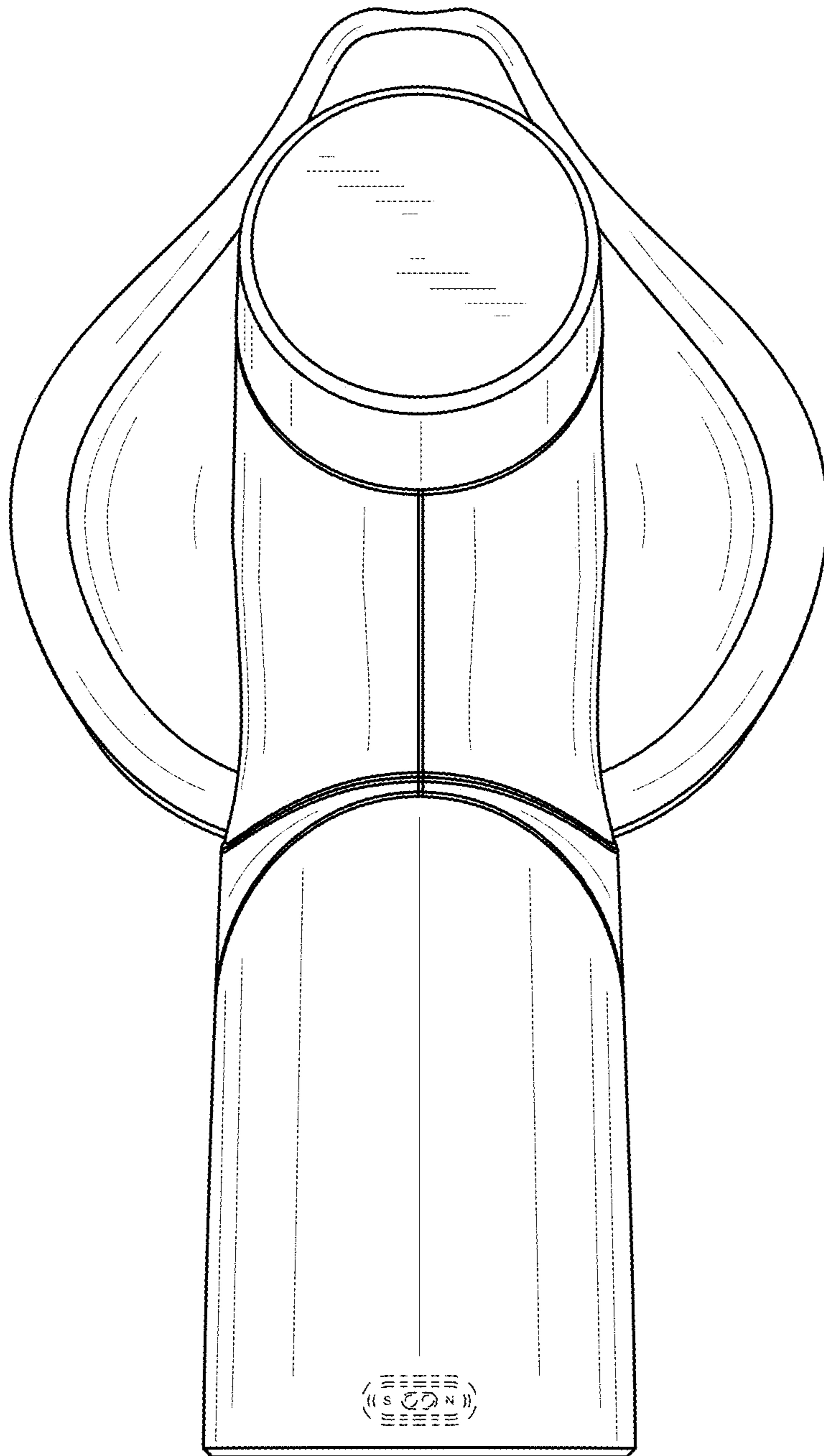


FIG. 5

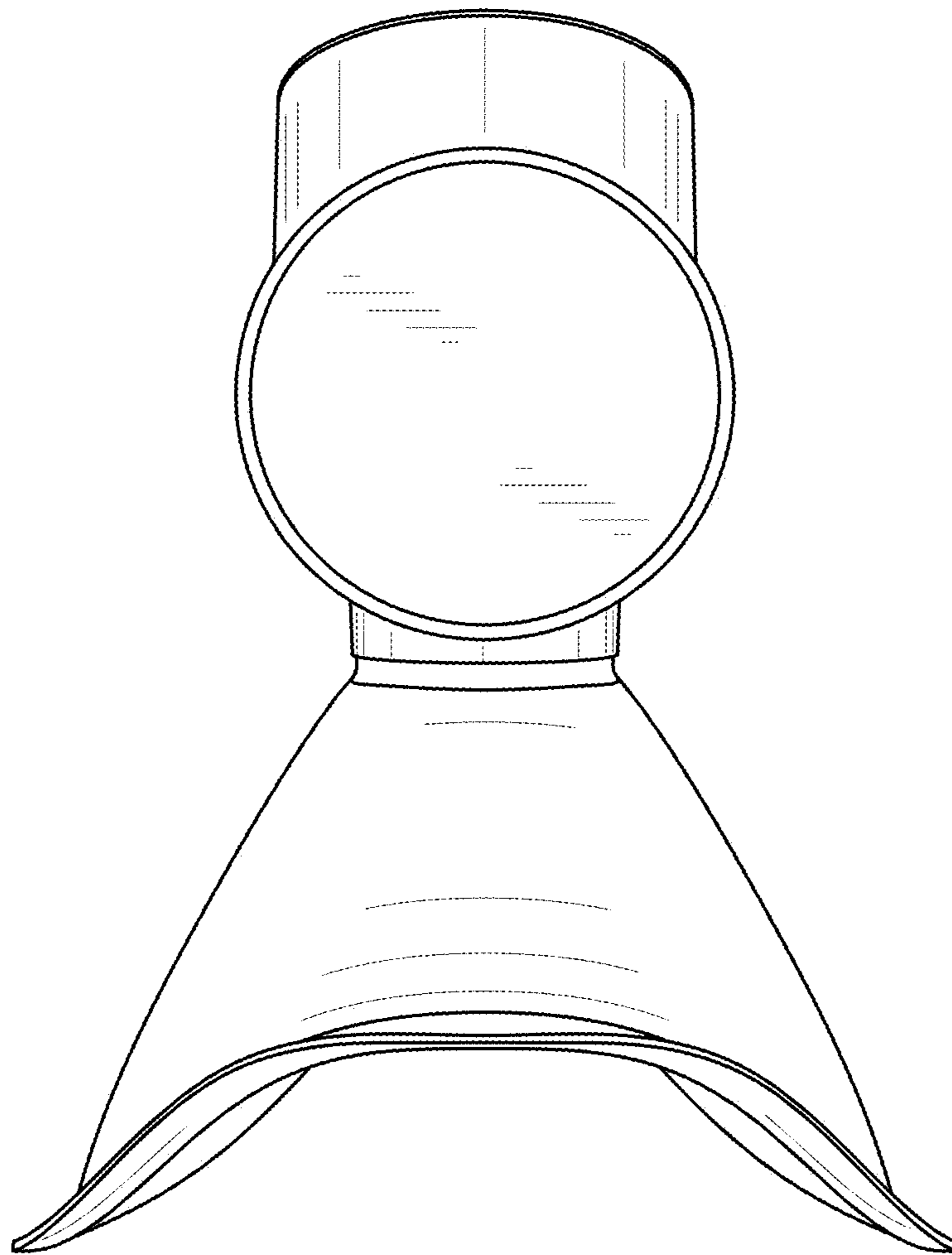


FIG. 6