



US00D938571S

(12) **United States Design Patent**
Michikami et al.

(10) **Patent No.:** **US D938,571 S**

(45) **Date of Patent:** **** Dec. 14, 2021**

(54) **CASING FOR BLOWER**

(71) Applicant: **Mitsubishi Electric Corporation,**
Tokyo (JP)

(72) Inventors: **Kazuya Michikami,** Tokyo (JP);
Hiroshi Tsutsumi, Tokyo (JP); **Takuya**
Teramoto, Tokyo (JP); **Hiroyasu**
Hayashi, Tokyo (JP)

(73) Assignee: **Mitsubishi Electric Corporation,**
Tokyo (JP)

(**) Term: **15 Years**

(21) Appl. No.: **29/694,037**

(22) Filed: **Jun. 6, 2019**

(30) **Foreign Application Priority Data**

Feb. 4, 2019 (JP) 2019-002145

(51) **LOC (13) Cl.** **23-03**

(52) **U.S. Cl.**
USPC **D23/411; D23/370; D23/383**

(58) **Field of Classification Search**
USPC D23/370, 381, 382, 383, 386, 387, 393,
D23/411, 412; D32/15
CPC .. F04D 29/4226; F04D 29/281; F04D 29/441;
F04D 25/06; F04D 25/08; F04D 25/082
See application file for complete search history.

(56) **References Cited**

U.S. PATENT DOCUMENTS

- 1,661,940 A * 3/1928 Green F04D 33/00
415/90
- 2,109,742 A * 3/1938 Fanning F04D 29/661
415/119
- D133,291 S * 8/1942 Powers D23/370
- 2,329,696 A * 9/1943 Chester F04D 29/282
416/188

- 2,661,894 A * 12/1953 Stevenson F04D 29/626
417/353
- 3,390,832 A * 7/1968 Mullings F04D 29/626
417/352
- 3,407,995 A * 10/1968 Kinsworthy F04D 17/162
415/94

(Continued)

OTHER PUBLICATIONS

Flow blower casing, Registration No. 3576173, Application No. 3576173, application date Jan. 8, 2006, date published Nov. 1, 2006, Publication Country China, site visited Aug. 12, 2021, available at www.orbit.com.*

Primary Examiner — Sharon S Oum

(74) *Attorney, Agent, or Firm* — Studebaker & Brackett PC

(57) **CLAIM**

The ornamental design for a casing for blower, as shown and described.

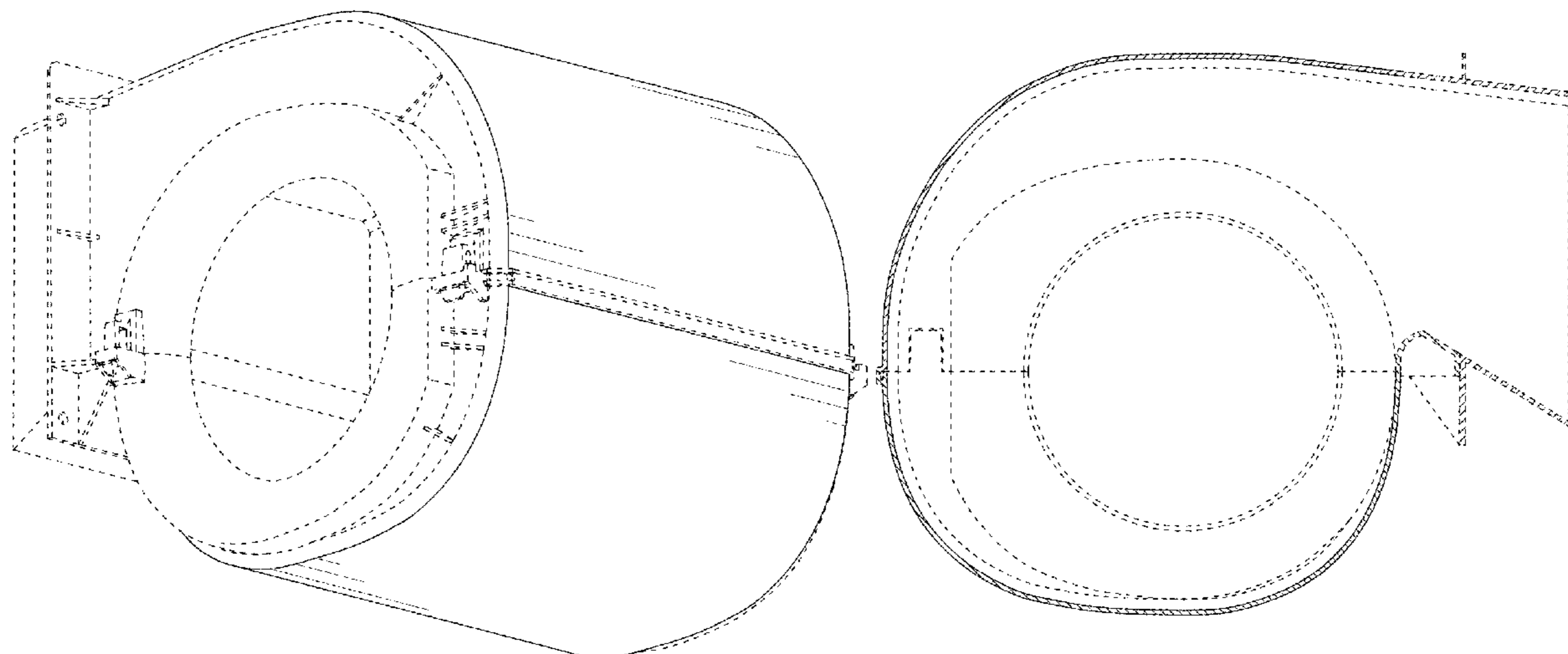
DESCRIPTION

FIG. 1. is a first perspective view of the front, left, and top sides of a casing for blower showing our new design;
 FIG. 2. is a second perspective view of the front, right, and bottom sides thereof;
 FIG. 3. is a front view thereof; a rear view being a mirror image thereof
 FIG. 4. is a left side view thereof;
 FIG. 5. is a right side view thereof;
 FIG. 6. is a top plan view thereof;
 FIG. 7. is a bottom plan view thereof;
 FIG. 8. is a cross-sectional view at 8-8; and,
 FIG. 9. is a cross-sectional view at 9-9.

The broken lines shown represent portions of the casing for blower and form no part of the claimed design.

The dash-dot lines represent the boundary between the claimed design and unclaimed design and form no part of the claimed design.

1 Claim, 9 Drawing Sheets



(56)

References Cited

U.S. PATENT DOCUMENTS

3,627,442 A * 12/1971 Brandt F04D 29/424
 415/206
 3,809,504 A * 5/1974 Goossens F04D 25/084
 417/411
 D308,417 S * 6/1990 Belanger D23/383
 D443,054 S * 5/2001 Spaggiari B60H 1/00471
 D23/370
 D537,517 S * 2/2007 Hancock D23/383
 D593,192 S * 5/2009 Spaggiari D23/370
 D609,323 S * 2/2010 Spaggiari D23/370
 D669,571 S * 10/2012 Penlesky D23/393
 8,578,727 B2 * 11/2013 Tsutsumi F24F 3/1405
 62/176.6
 9,017,011 B2 * 4/2015 Gatley, Jr. F04D 25/0653
 415/98
 9,160,209 B2 * 10/2015 Feld F24C 15/2042
 D742,498 S * 11/2015 Zakula D23/386
 D751,685 S * 3/2016 Wanezaki D23/386
 D754,835 S * 4/2016 Uehara D23/371

D764,651 S * 8/2016 Zakula D23/386
 D775,720 S * 1/2017 Liu D23/370
 D831,817 S * 10/2018 Pirouzpanah D23/383
 10,113,557 B2 * 10/2018 Hutson F04D 29/601
 10,302,096 B2 * 5/2019 Kang F04D 29/281
 10,323,853 B2 * 6/2019 Zakula F04D 29/441
 10,641,284 B2 * 5/2020 Pirouzpanah F04D 29/283
 10,718,351 B2 * 7/2020 Kono F04D 29/422
 10,895,266 B2 * 1/2021 Pirouzpanah F04D 29/4226
 2012/0009059 A1 * 1/2012 Okamoto F04D 29/441
 415/224
 2017/0051749 A1 * 2/2017 Cho F04D 29/441
 2019/0186499 A1 * 6/2019 Pirouzpanah F04D 29/62
 2019/0242612 A1 * 8/2019 Teramoto F24F 1/0022
 2019/0376522 A1 * 12/2019 Liu F04D 29/4226
 2020/0318887 A1 * 10/2020 Tsutsumi F25D 21/14
 2021/0033104 A1 * 2/2021 Teramoto F04D 29/4213
 2021/0033289 A1 * 2/2021 Fujioka F24F 1/0047
 2021/0079923 A1 * 3/2021 Kusada F04D 29/4213
 2021/0108828 A1 * 4/2021 Linares H05B 6/108
 2021/0140445 A1 * 5/2021 Teramoto F04D 29/441

* cited by examiner

Fig.2

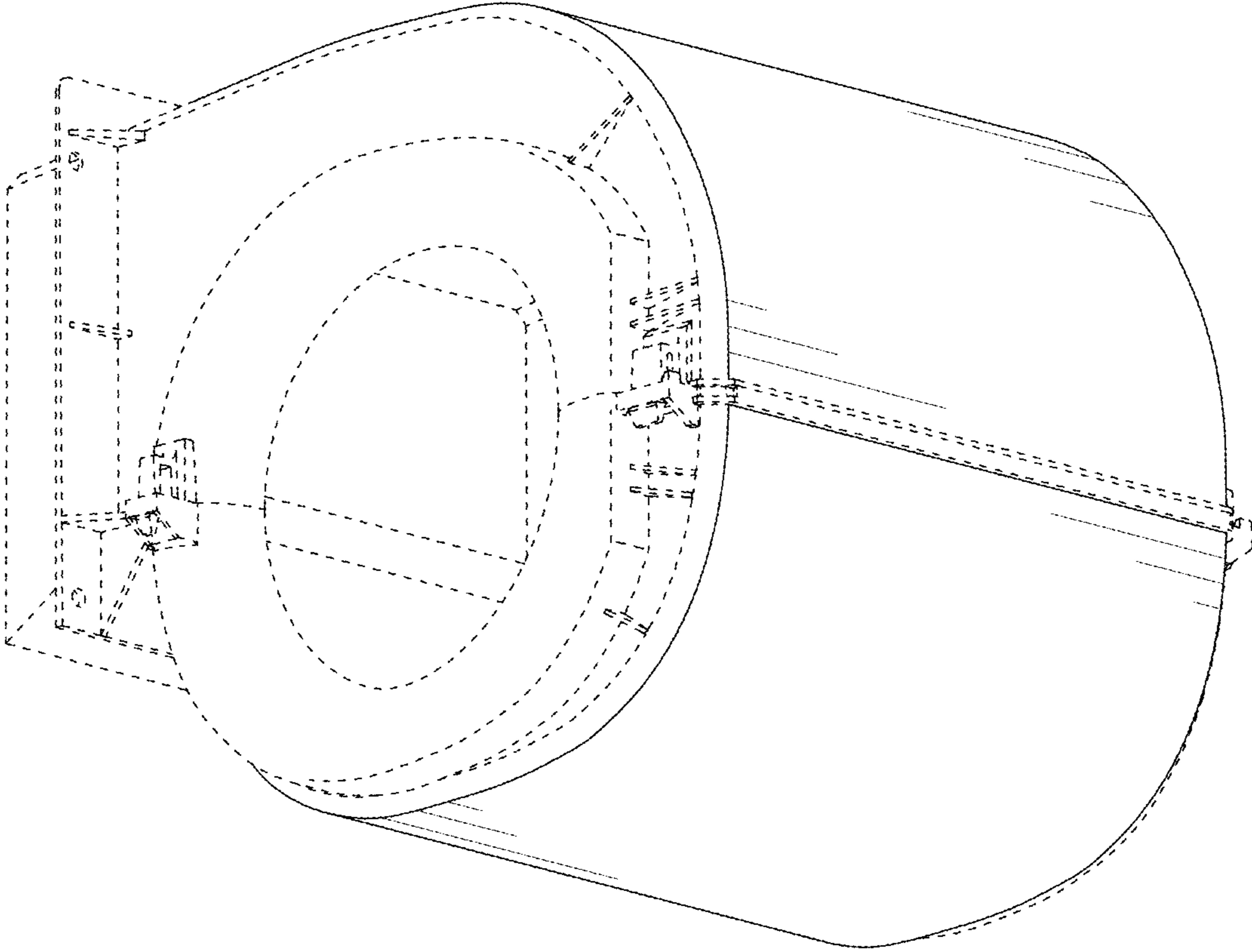


Fig.3

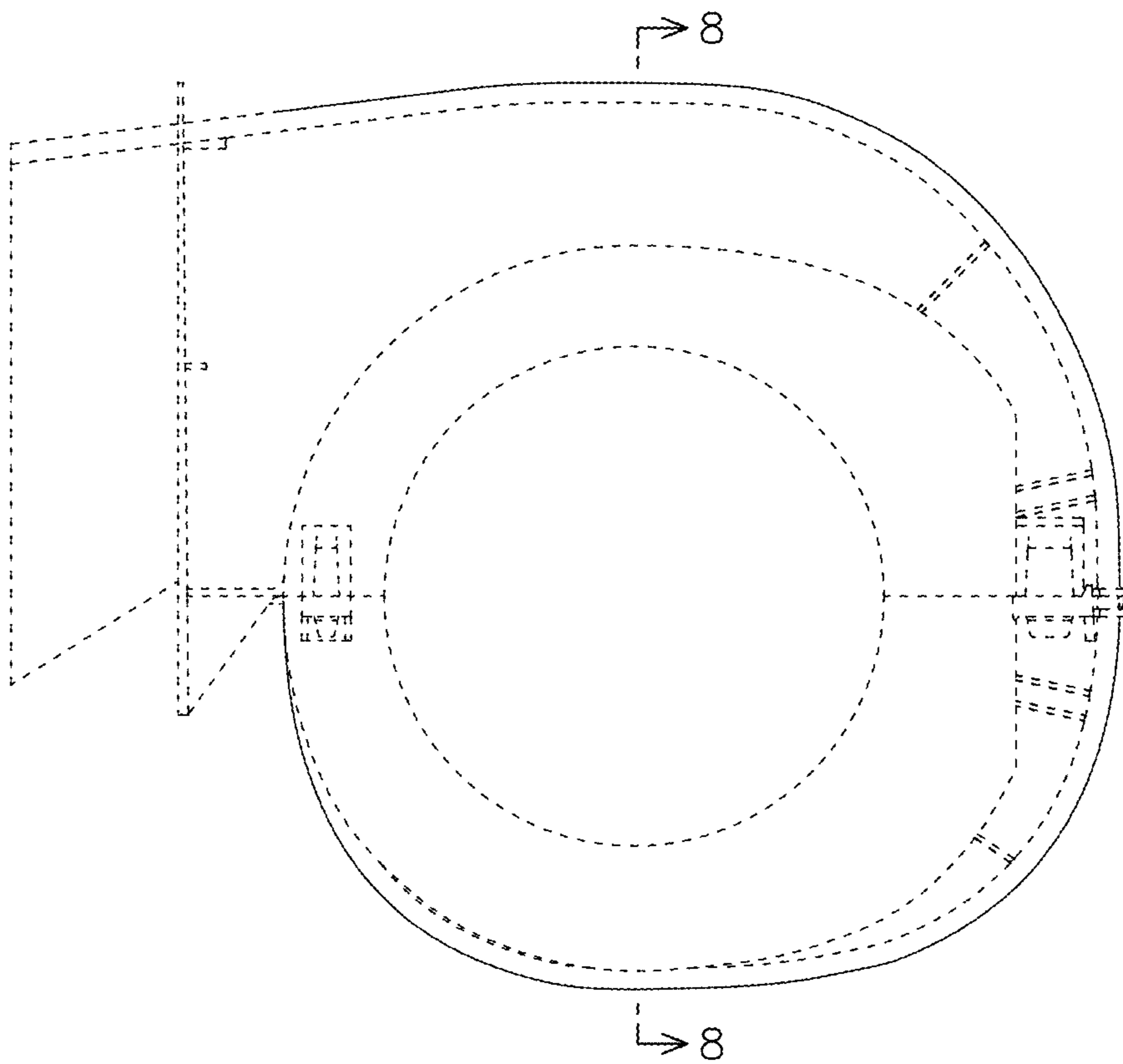


Fig.4

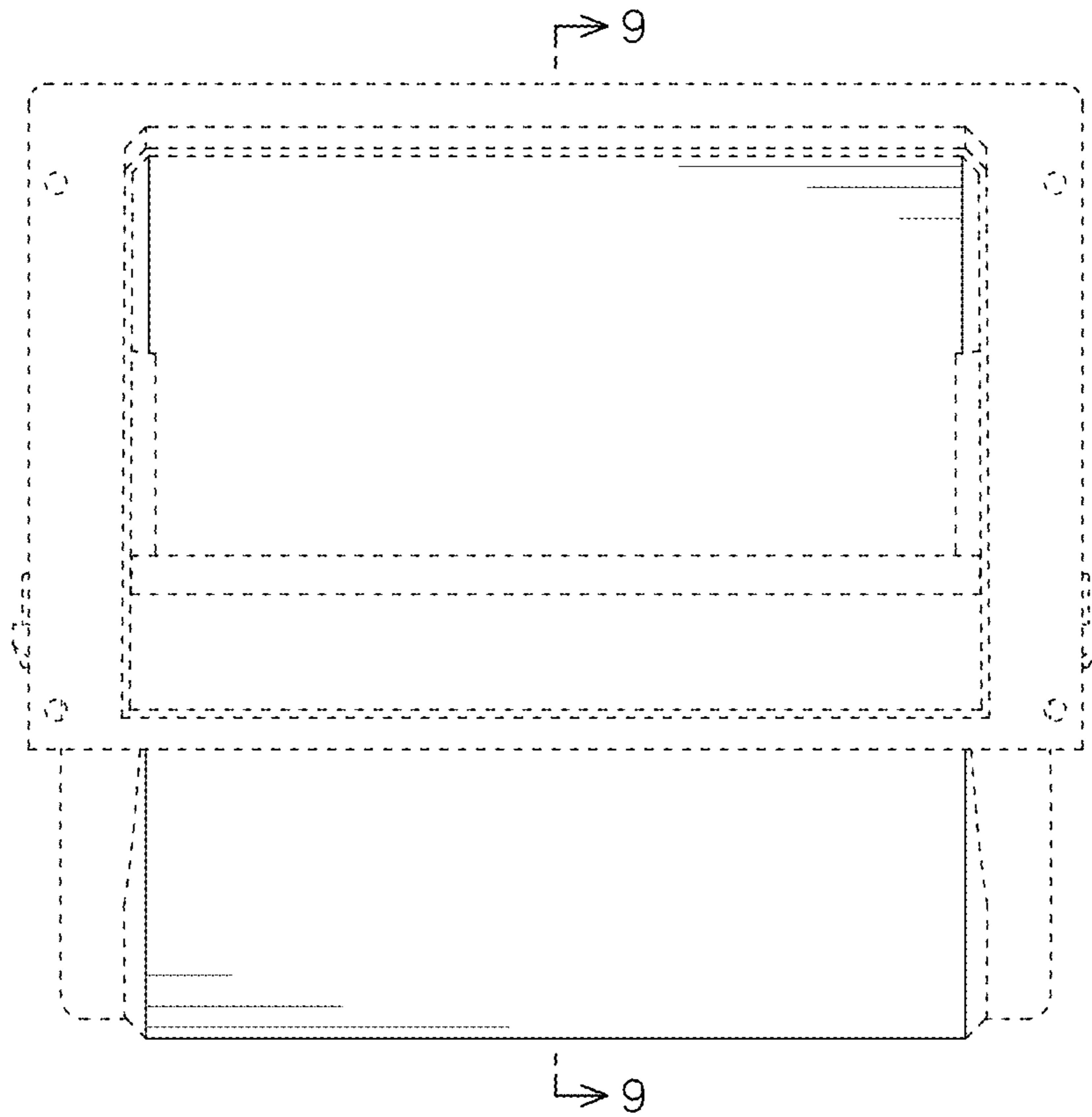


Fig.5

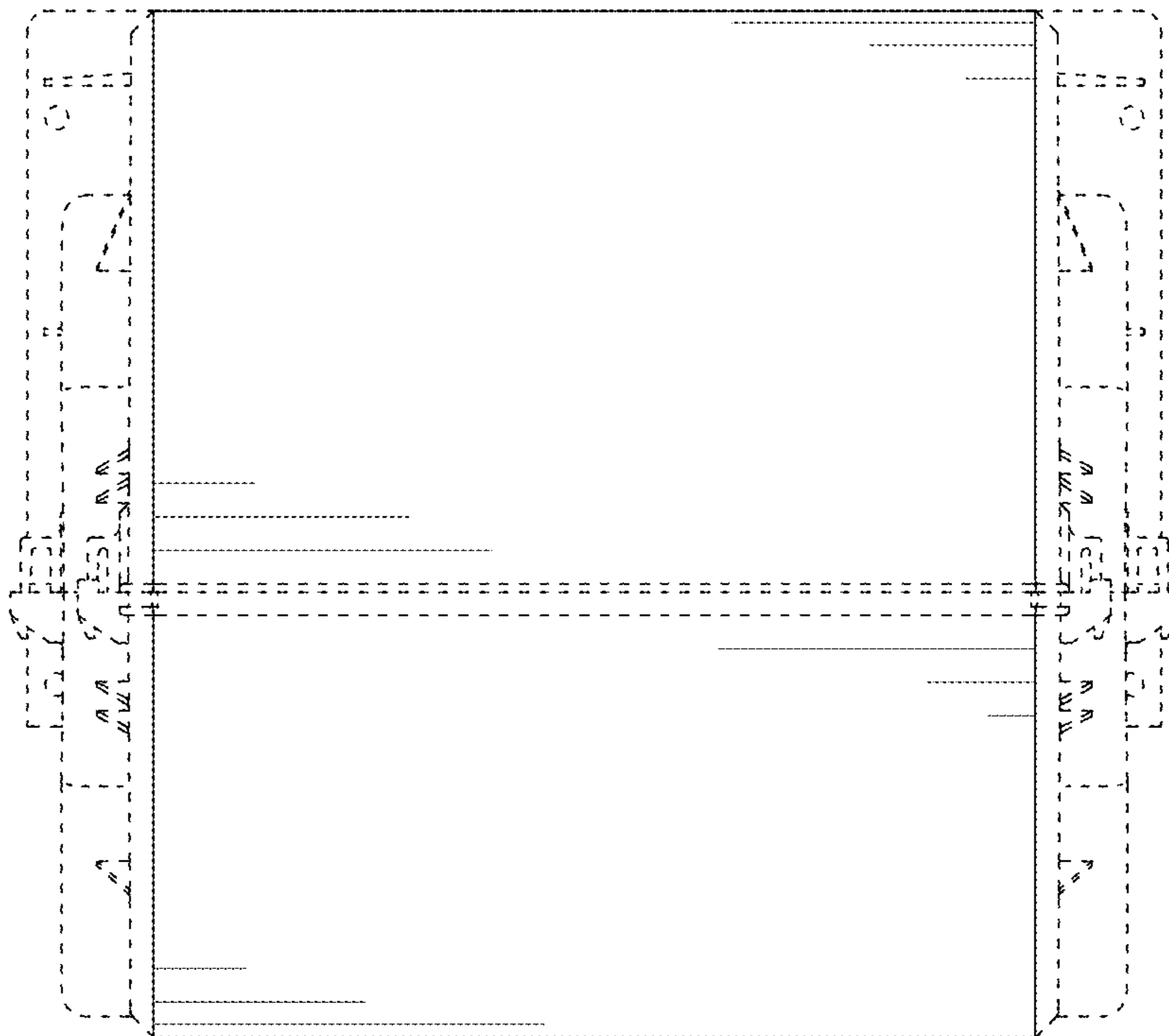


Fig.6

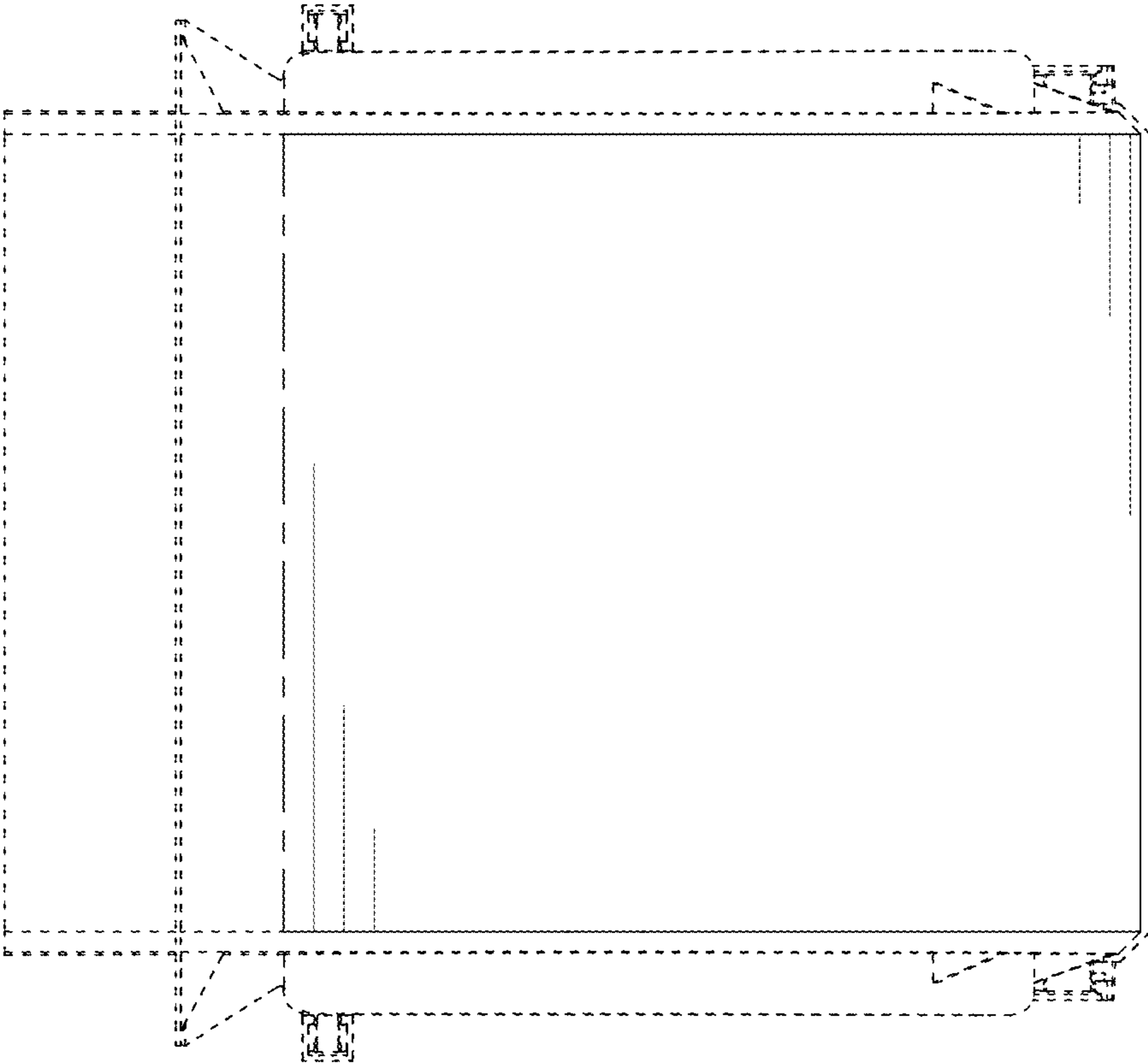


Fig.7

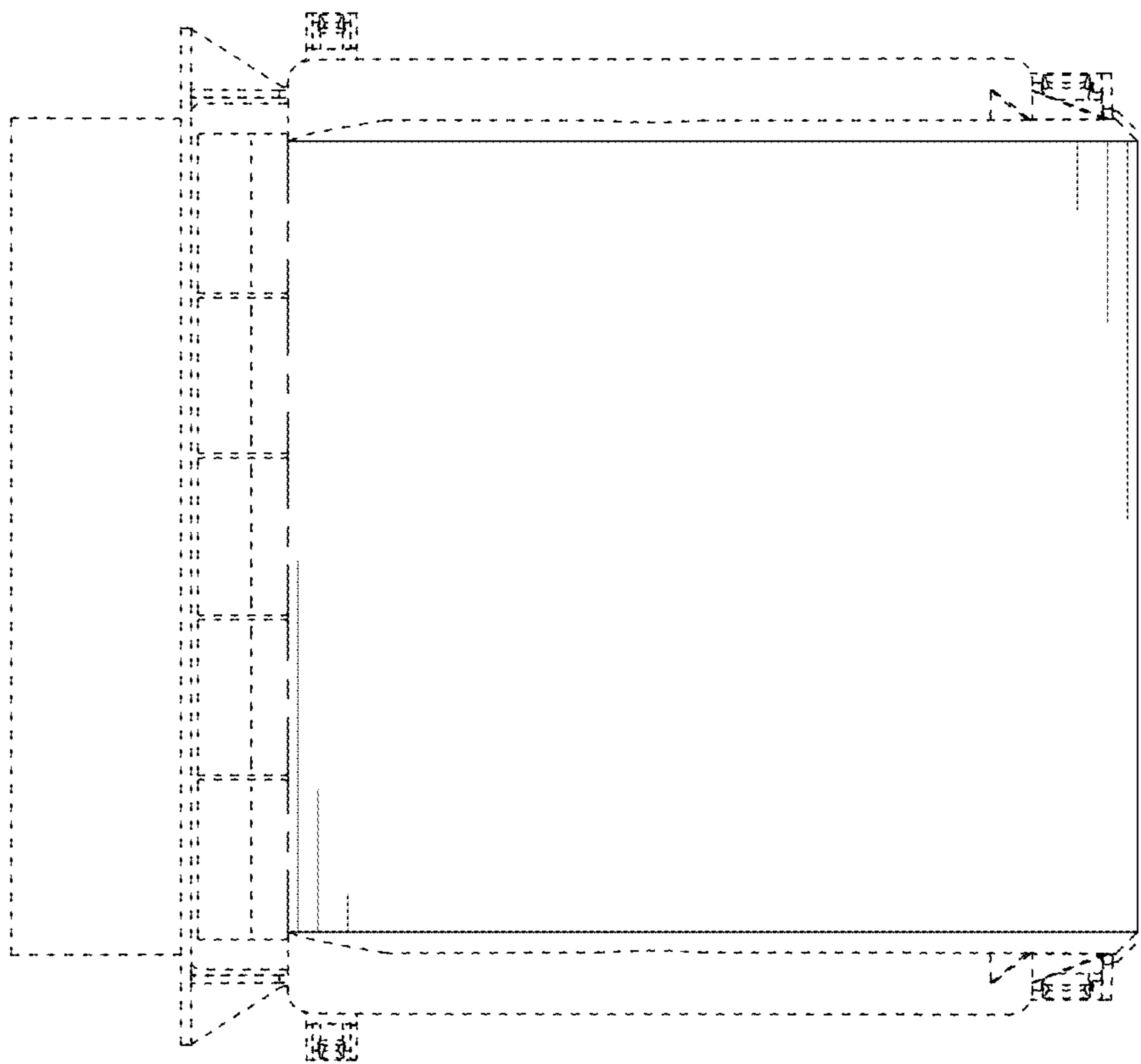


Fig.8

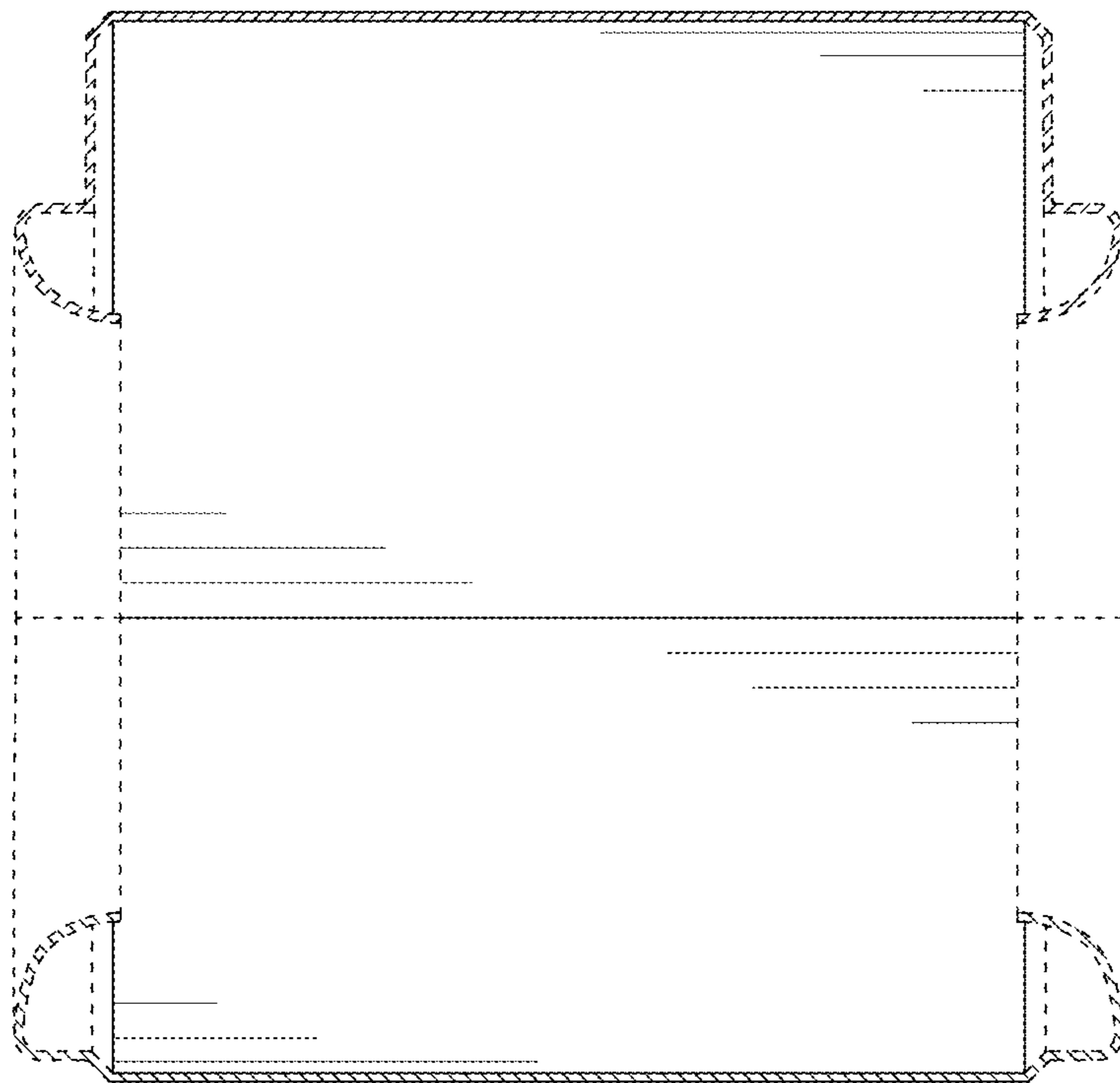


Fig.9

