



US00D938570S

(12) **United States Design Patent**
Horie et al.

(10) **Patent No.:** **US D938,570 S**

(45) **Date of Patent:** **** Dec. 14, 2021**

- (54) **CASING FOR BLOWER**
- (71) Applicant: **Mitsubishi Electric Corporation**,
Tokyo (JP)
- (72) Inventors: **Ryo Horie**, Tokyo (JP); **Takahiro Yamatani**, Tokyo (JP); **Takuya Teramoto**, Tokyo (JP); **Hiroyasu Hayashi**, Tokyo (JP)
- (73) Assignee: **Mitsubishi Electric Corporation**,
Tokyo (JP)

- 3,407,995 A * 10/1968 Kinsworthy F04D 17/162
415/94
- 3,627,442 A * 12/1971 Brandt F04D 29/424
415/206
- 3,809,504 A * 5/1974 Goossens F04D 25/084
417/411
- D308,417 S * 6/1990 Belanger D23/383
- D344,795 S * 3/1994 Crowley, Jr. D23/393
- D402,747 S * 12/1998 Yeatts, Jr. D23/371
- D536,436 S * 2/2007 Nishizawa D23/393
- D593,192 S * 5/2009 Spaggiari D23/370
- D609,323 S * 2/2010 Spaggiari D23/370
- D669,571 S * 10/2012 Penlesky D23/393
- 8,578,727 B2 * 11/2013 Tsutsumi F24F 3/1405
62/176.6

(**) Term: **15 Years**

(Continued)

(21) Appl. No.: **29/694,036**

Primary Examiner — Sharon S Oum

(22) Filed: **Jun. 6, 2019**

(74) Attorney, Agent, or Firm — Studebaker & Brackett
PC

(30) **Foreign Application Priority Data**

- Feb. 4, 2019 (JP) 2019-002143
- Feb. 4, 2019 (JP) 2019-002144

(51) **LOC (13) Cl.** **23-03**

(52) **U.S. Cl.**
USPC **D23/411**; D23/370; D23/383

(58) **Field of Classification Search**
USPC D23/370, 381, 382, 383, 386, 387, 393,
D23/411, 412; D32/15
CPC .. F04D 29/4226; F04D 29/281; F04D 29/441;
F04D 25/06; F04D 25/08; F04D 25/082
See application file for complete search history.

(56) **References Cited**

U.S. PATENT DOCUMENTS

- 2,329,696 A * 9/1943 Chester F04D 29/282
416/188
- 2,661,894 A * 12/1953 Stevenson F04D 29/626
417/353
- 3,390,832 A * 7/1968 Mullings F04D 29/626
417/352

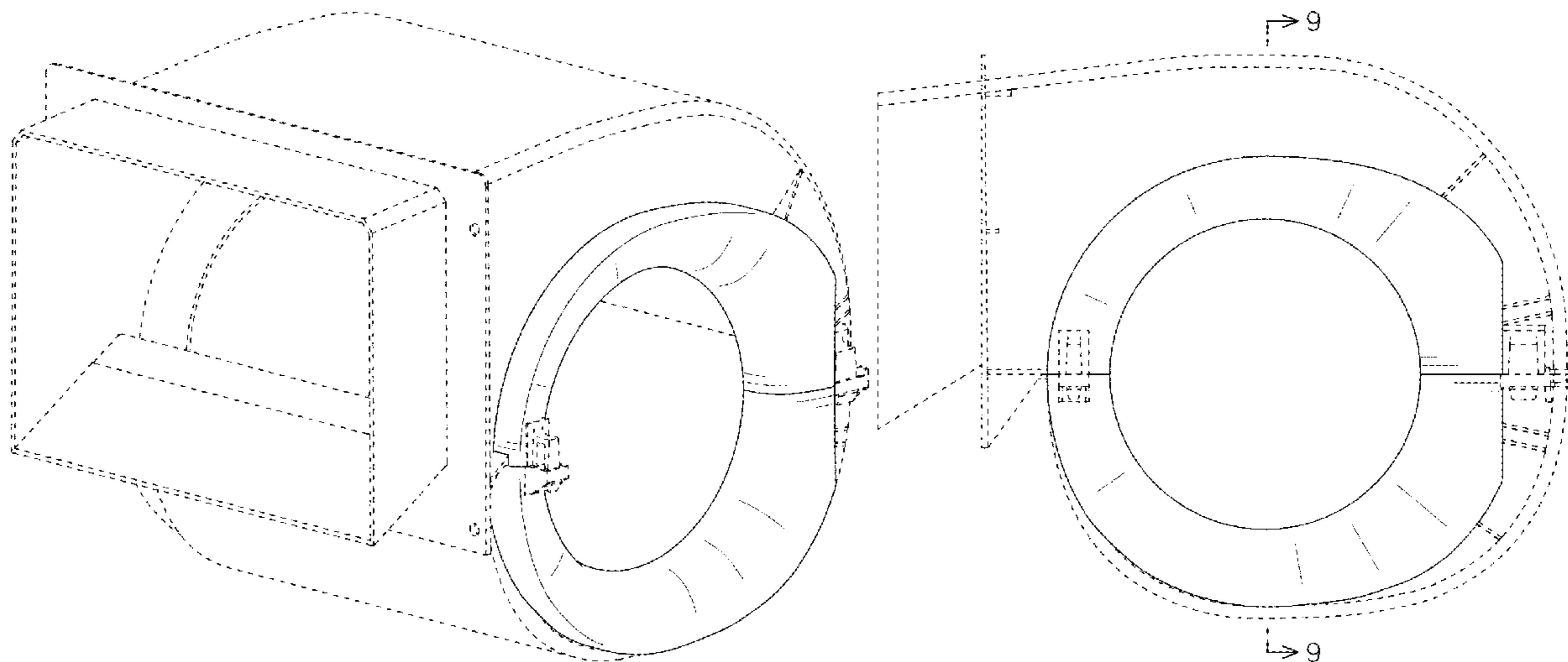
(57) **CLAIM**

The ornamental design for a casing for blower, as shown and described.

DESCRIPTION

FIG. 1. is a first perspective view of the front, left, and top sides of a casing for blower showing our new design;
 FIG. 2. is a second perspective view of the front, right, and bottom sides thereof;
 FIG. 3. is a front view thereof;
 FIG. 4. is a rear view thereof;
 FIG. 5. is a left side view thereof;
 FIG. 6. is a right side view thereof;
 FIG. 7. is a top plan view thereof;
 FIG. 8. is a bottom plan view thereof;
 FIG. 9. is a cross-sectional view at 9-9; and,
 FIG. 10. is a cross-sectional view at 10-10.
 The broken lines shown represent portions of the casing for blower and form no part of the claimed design.

1 Claim, 10 Drawing Sheets



(56)

References Cited

U.S. PATENT DOCUMENTS

9,017,011 B2 * 4/2015 Gatley, Jr. F04D 25/0653
415/98
9,160,209 B2 * 10/2015 Feld F24C 15/2042
D742,498 S * 11/2015 Zakula D23/386
D754,835 S * 4/2016 Uehara D23/371
D764,651 S * 8/2016 Zakula D23/386
D775,720 S * 1/2017 Liu D23/370
9,777,735 B2 * 10/2017 Post F04D 25/068
10,030,667 B2 * 7/2018 Pirouzpanah F04D 25/08
D831,817 S * 10/2018 Pirouzpanah D23/383
10,302,096 B2 * 5/2019 Kang F04D 29/281
10,323,853 B2 * 6/2019 Zakula F04D 29/441
10,718,351 B2 * 7/2020 Kono F04D 29/422
10,895,266 B2 * 1/2021 Pirouzpanah F04D 29/4226
2012/0009059 A1 * 1/2012 Okamoto F04D 29/441
415/224
2016/0025109 A1 * 1/2016 Katsumata F04D 29/281
415/119
2017/0051749 A1 * 2/2017 Cho F04D 29/441
2019/0120520 A1 * 4/2019 Miyata F24F 1/0063
2019/0242612 A1 * 8/2019 Teramoto F24F 1/0022
2019/0376522 A1 * 12/2019 Liu F04D 29/4226
2020/0191163 A1 * 6/2020 Rathgeb F04D 29/4226
2020/0200183 A1 * 6/2020 Peppard F04D 29/4226
2020/0318887 A1 * 10/2020 Tsutsumi F25D 21/14
2021/0033104 A1 * 2/2021 Teramoto F04D 29/4213
2021/0079923 A1 * 3/2021 Kusada F04D 29/4213
2021/0140445 A1 * 5/2021 Teramoto F04D 29/441

* cited by examiner

Fig.1

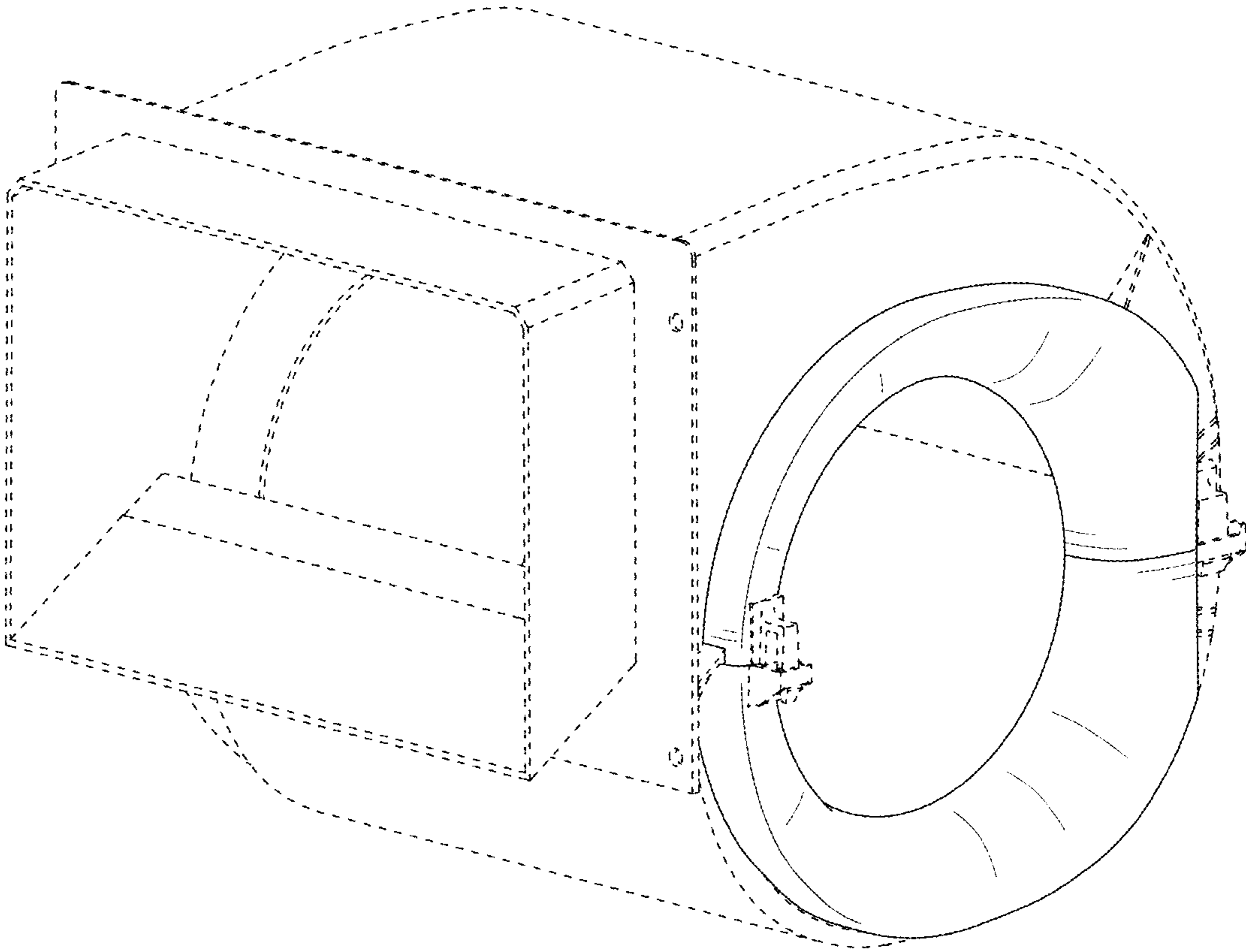


Fig.2

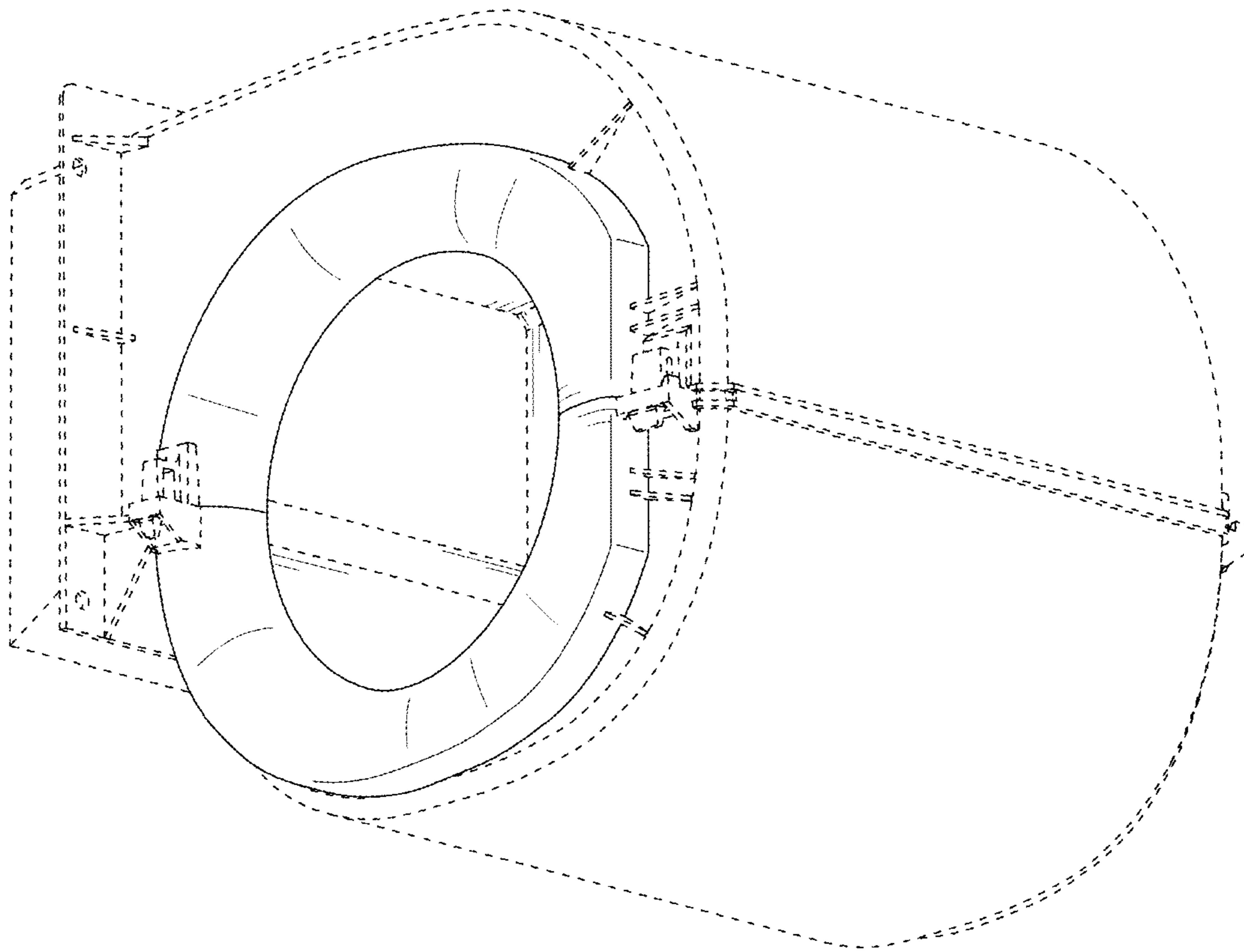


Fig.3

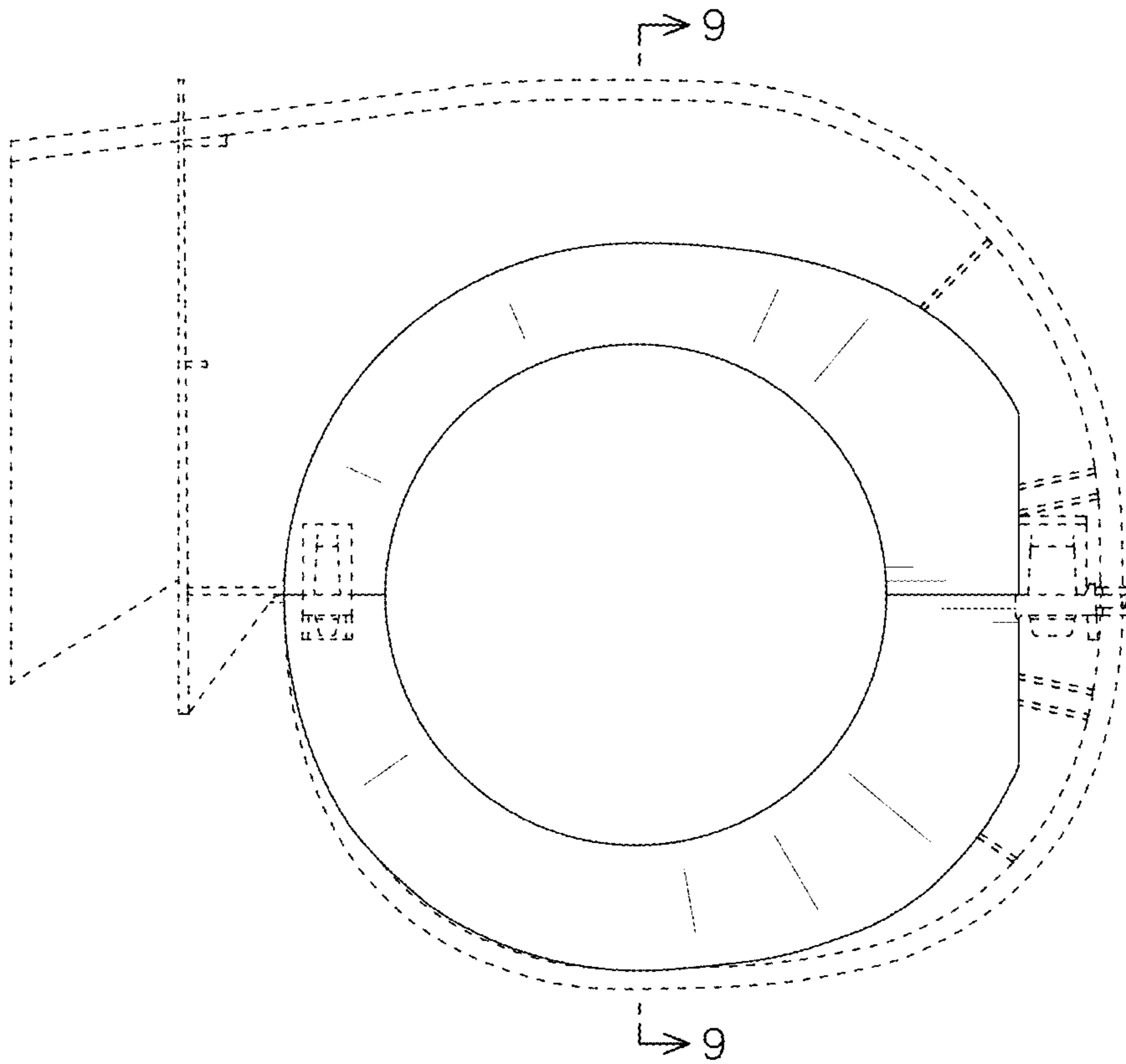


Fig.4

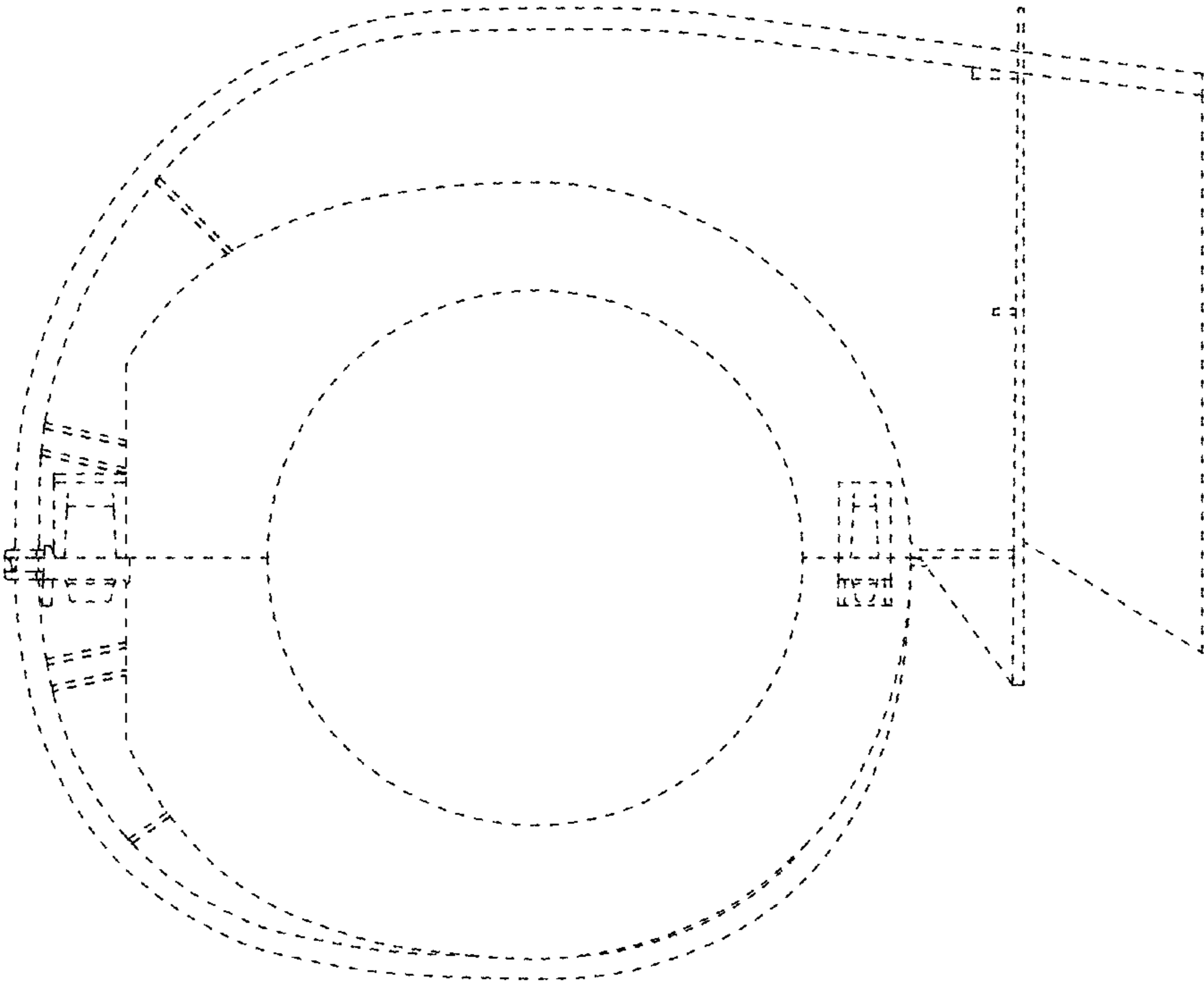


Fig.5

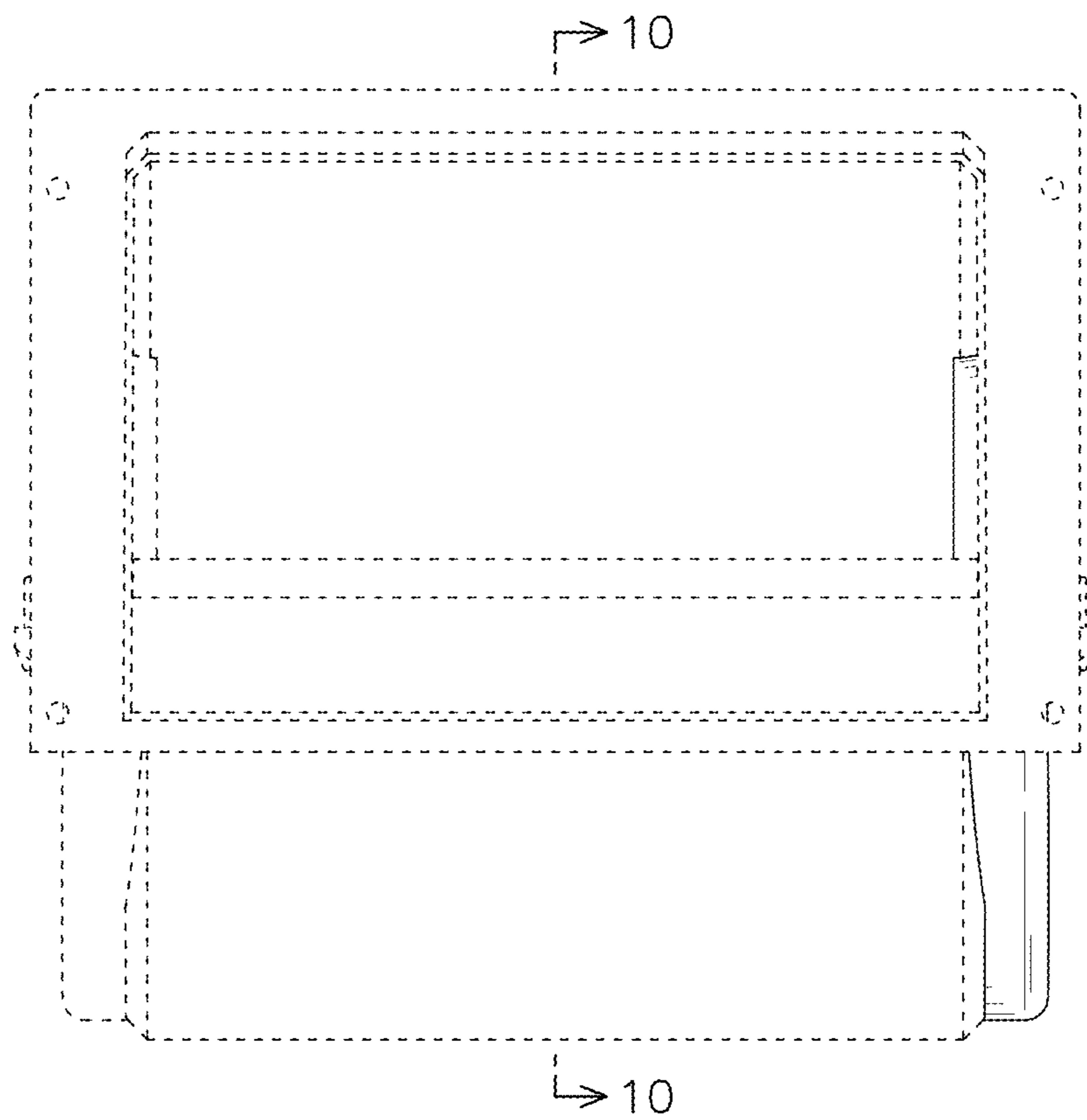


Fig.6

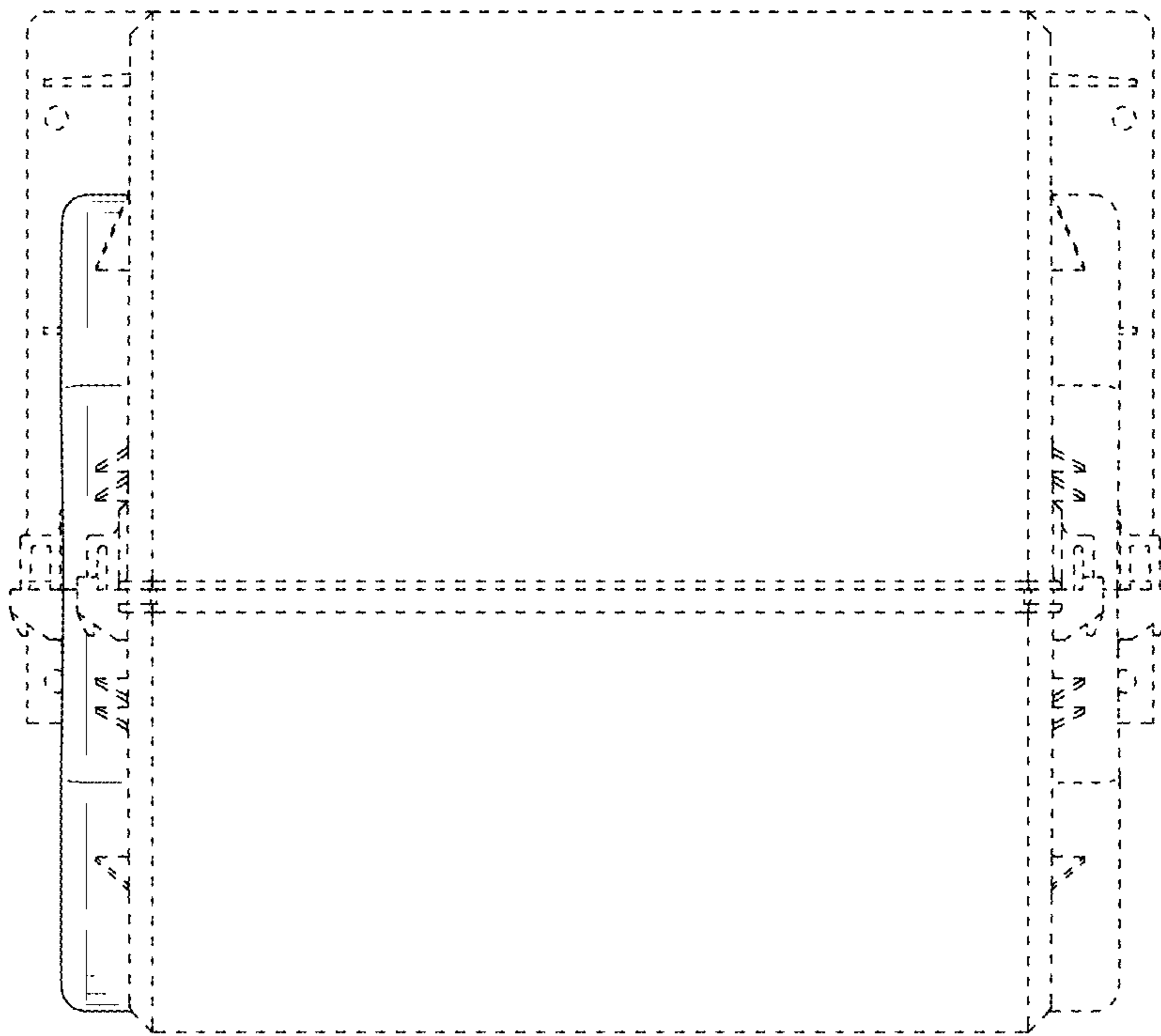


Fig.7

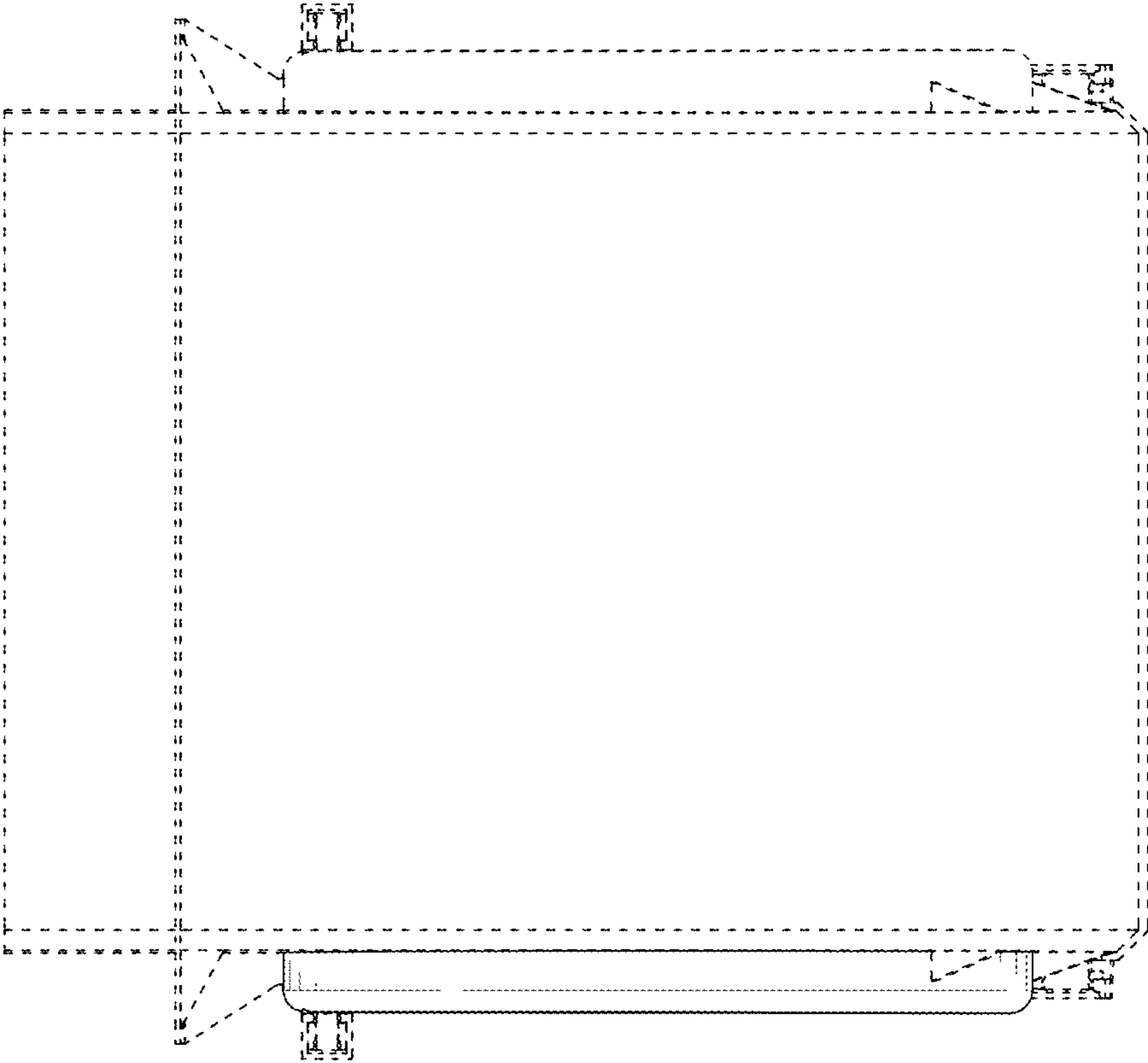


Fig.8

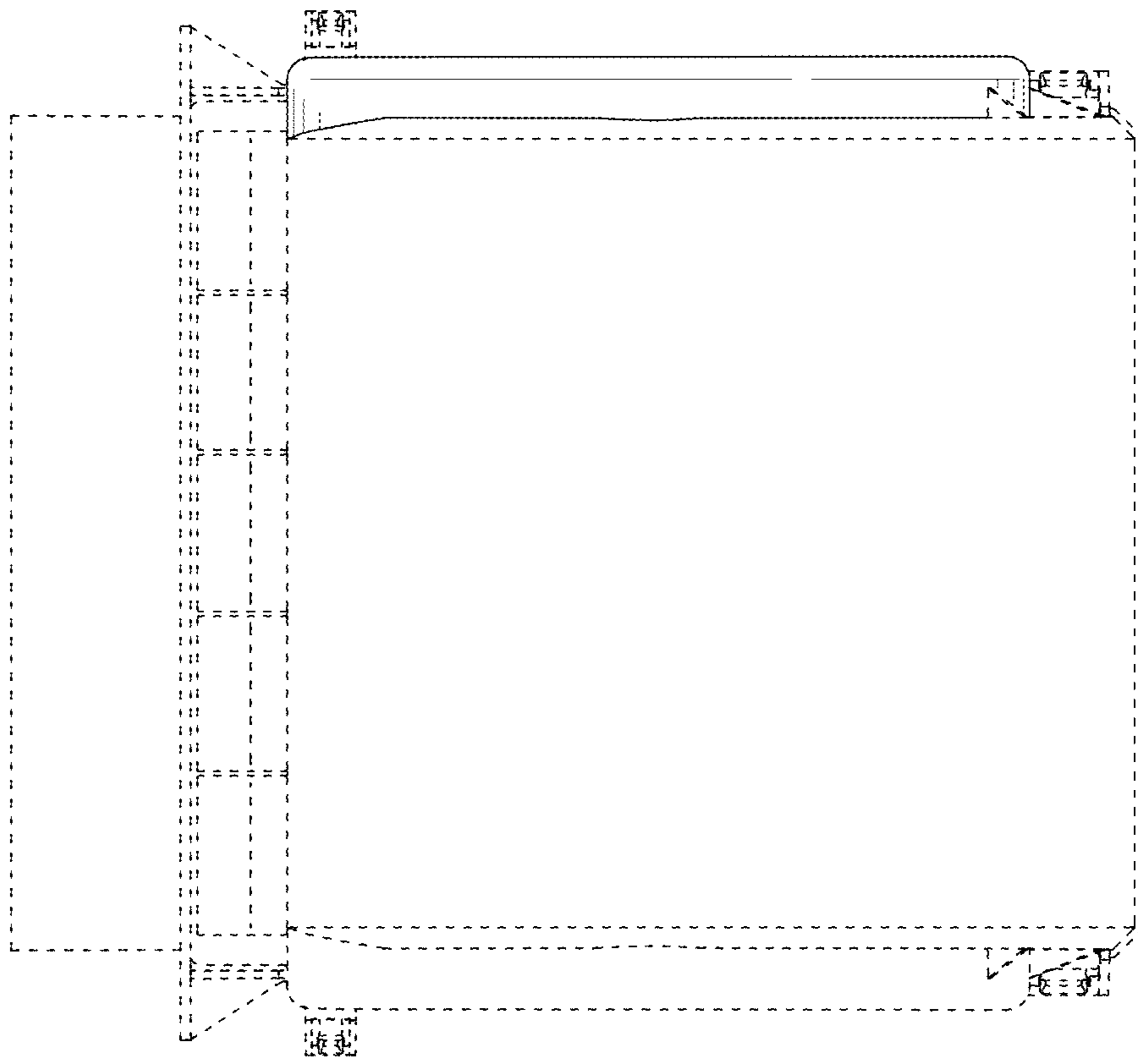


Fig.9

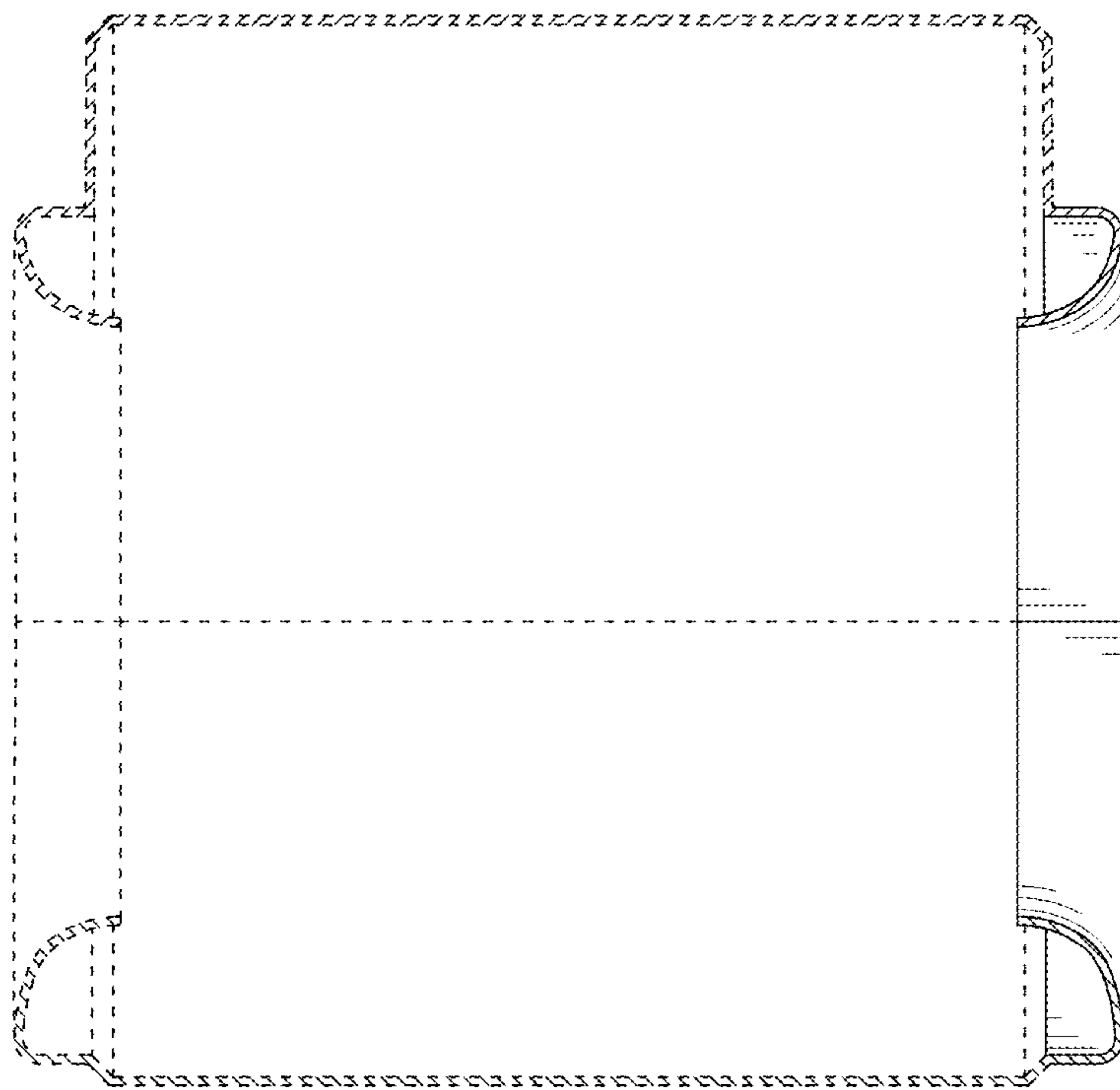


Fig.10

