



US00D938569S

(12) **United States Design Patent** (10) **Patent No.:** **US D938,569 S**
Biancuzzo (45) **Date of Patent:** **** Dec. 14, 2021**

(54) **CEILING FAN**
(71) Applicant: **AIR COOL INDUSTRIAL CO., LTD.**, Taichung (TW)
(72) Inventor: **Francisco Biancuzzo**, Davie, FL (US)
(73) Assignee: **AIR COOL INDUSTRIAL CO., LTD.**, Taichung (TW)

D805,173 S * 12/2017 Habig D23/377
D818,104 S * 5/2018 Holmes D23/377
D838,357 S * 1/2019 Haggar D23/411
D855,172 S * 7/2019 Holmes D23/411
D855,788 S * 8/2019 Haggar D23/377
D855,789 S * 8/2019 Haggar D23/377
D858,735 S * 9/2019 Wang D23/377
D873,987 S * 1/2020 Biancuzzo D23/377
D877,314 S * 3/2020 Holmes D23/411
D885,551 S * 5/2020 McRoberts D23/377
2018/0128276 A1 * 5/2018 Li F04D 25/06

(**) Term: **15 Years**

(21) Appl. No.: **29/728,552**

(22) Filed: **Mar. 19, 2020**

(51) **LOC (13) Cl.** **23-04**

(52) **U.S. Cl.**
USPC **D23/377**

(58) **Field of Classification Search**
USPC D23/370, 377, 379, 385, 411, 413;
D26/59
CPC F04D 25/088; F04D 29/38; F04D 29/384;
F04D 29/386; F21V 33/0096
See application file for complete search history.

(56) **References Cited**

U.S. PATENT DOCUMENTS

D561,374 S * 2/2008 Hartmann, Jr. D26/74
D609,324 S * 2/2010 Lee D23/377
D609,799 S * 2/2010 Lee D23/377
D628,688 S * 12/2010 Pan D23/377
D662,648 S * 6/2012 Whiting D26/89
D706,407 S * 6/2014 Wang D23/385
D744,634 S * 12/2015 Wang D23/411
D751,187 S * 3/2016 Dolan D23/411
D771,794 S * 11/2016 Wang D23/411
D788,286 S * 5/2017 Busta D23/411
D796,659 S * 9/2017 Schulzman D23/377
D799,665 S * 10/2017 Wang D23/377
D799,668 S * 10/2017 Wang D23/377

OTHER PUBLICATIONS

Fanimation Ceiling Fans Blitz, date retrieved Jun. 14, 2018, <<http://www.fanimation.com/products/index.php/fans/blitz.html>> (Year: 2018).*

* cited by examiner

Primary Examiner — Sharon S Oum

(74) *Attorney, Agent, or Firm* — Pai Patent & Trademark Law Firm; Chao-Chang David Pai

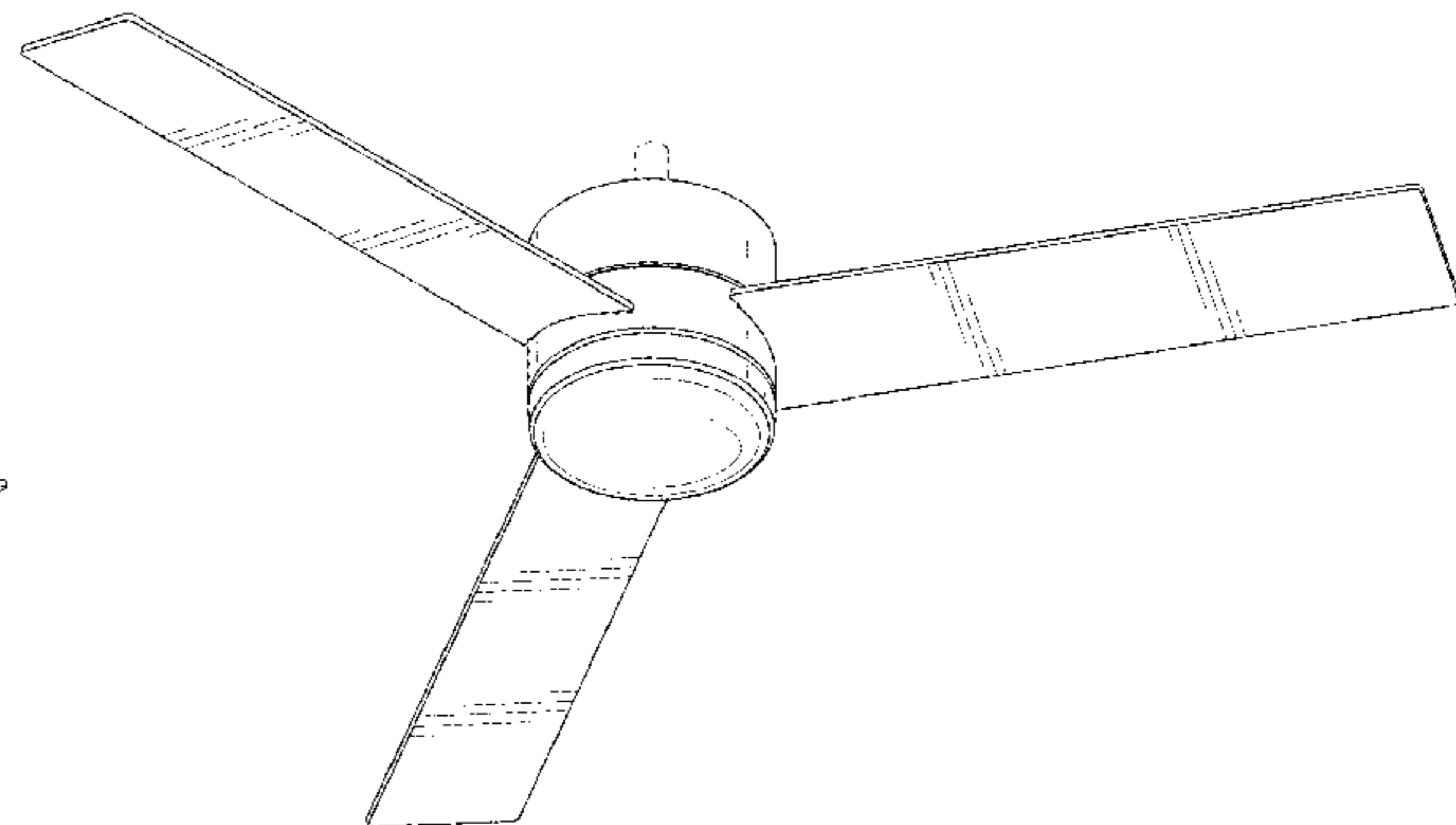
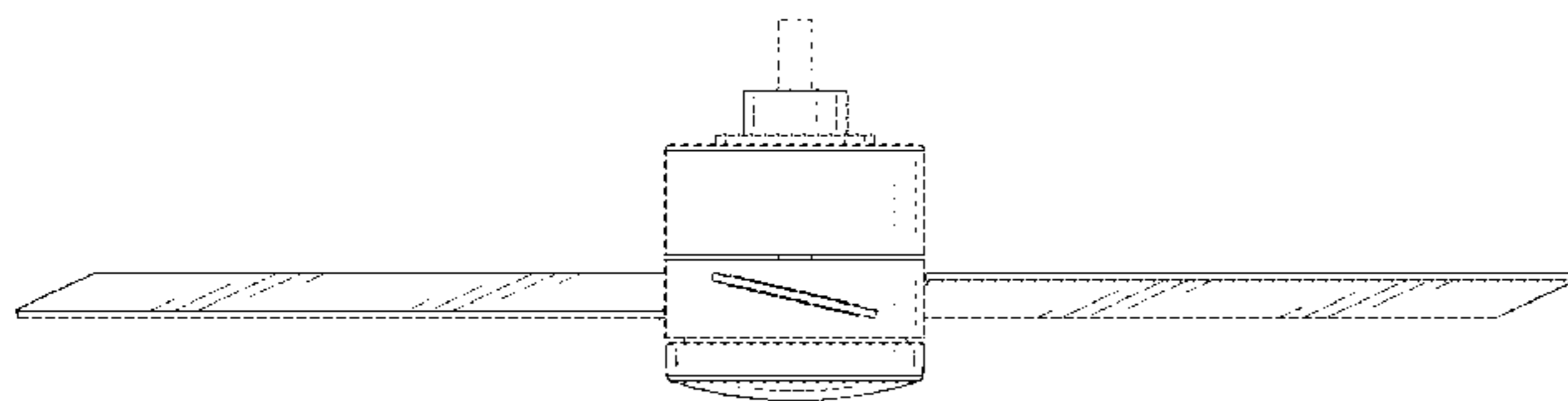
(57) **CLAIM**

The ornamental design for a ceiling fan, as shown and described.

DESCRIPTION

FIG. 1 is a front top perspective view of a ceiling fan showing my new design;
FIG. 2 is a front elevational view thereof;
FIG. 3 is a rear elevational view thereof;
FIG. 4 is a left side elevational view thereof;
FIG. 5 is a right side elevational view thereof;
FIG. 6 is a top plan view thereof;
FIG. 7 is a bottom plan view thereof; and,
FIG. 8 is a front bottom perspective view thereof.
The broken lines illustrate portions of the ceiling fan and form no part of the claimed design.

1 Claim, 6 Drawing Sheets



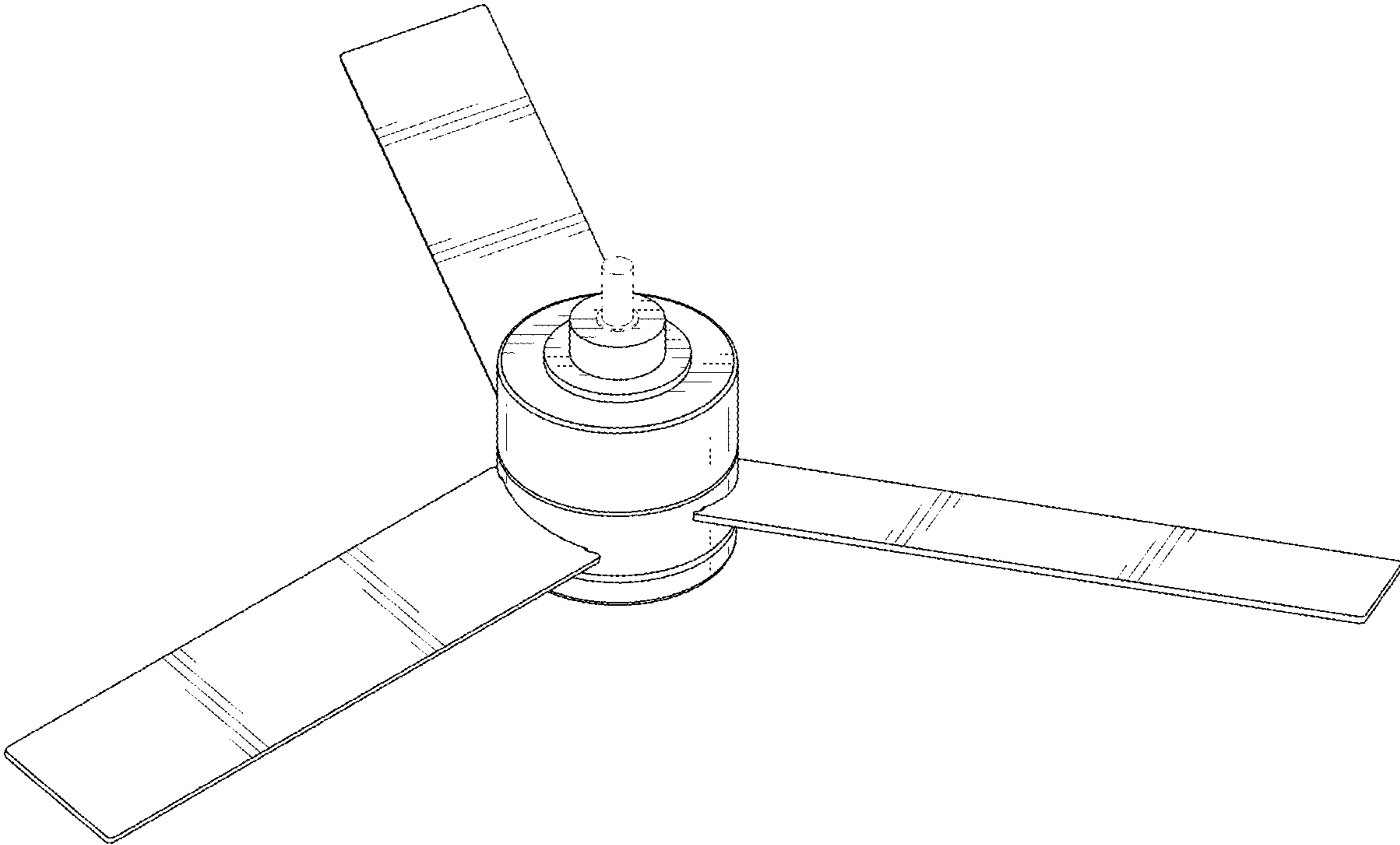


FIG. 1

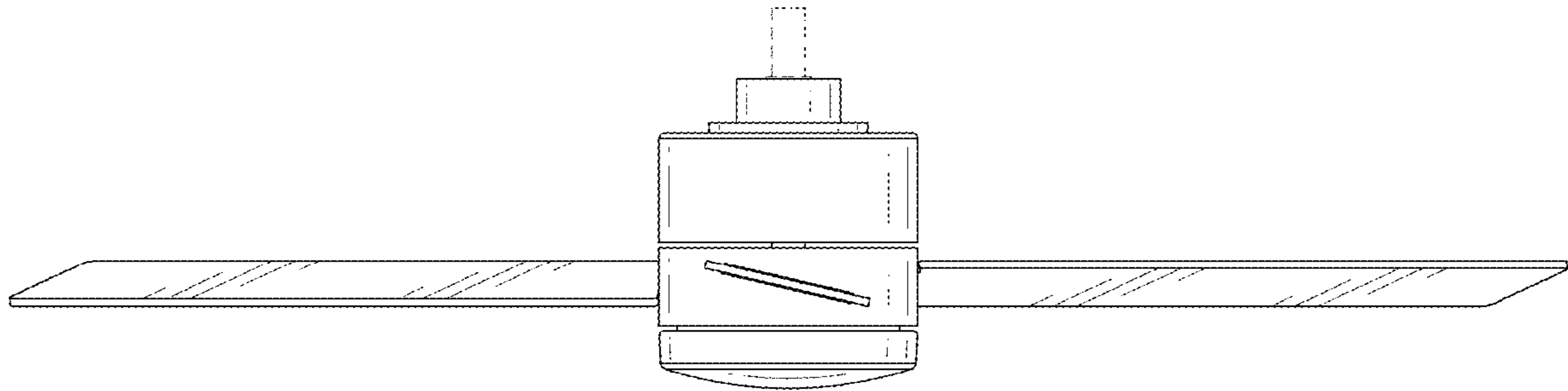


FIG. 2

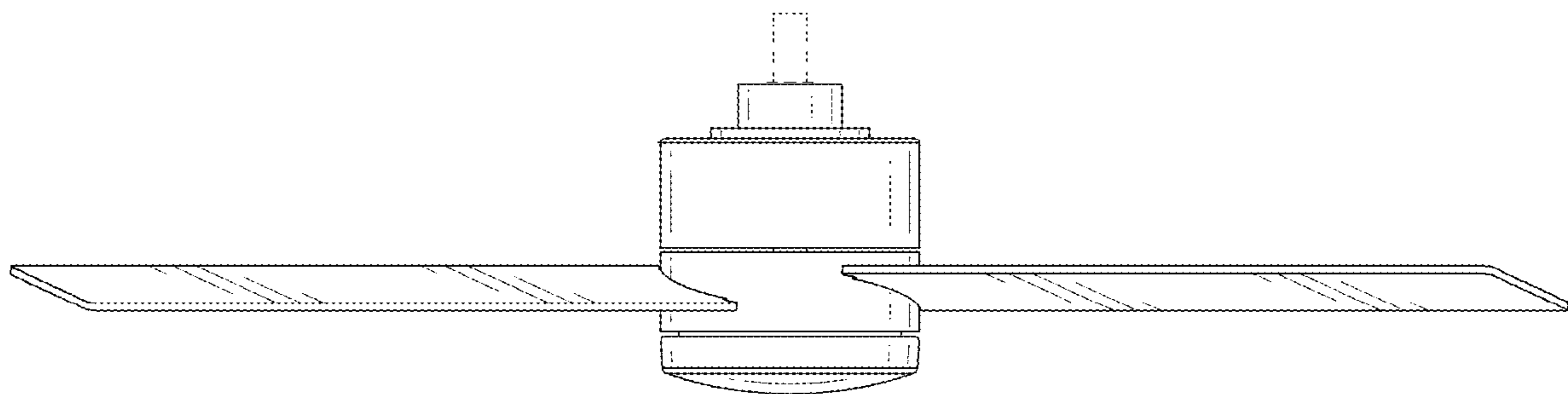


FIG. 3

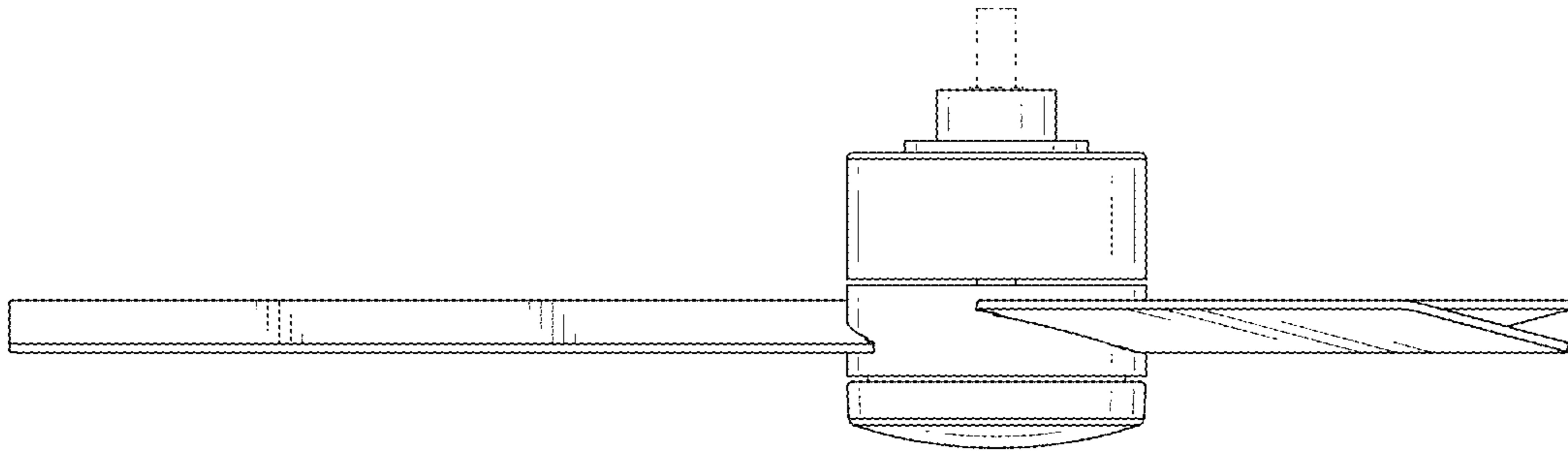


FIG. 4

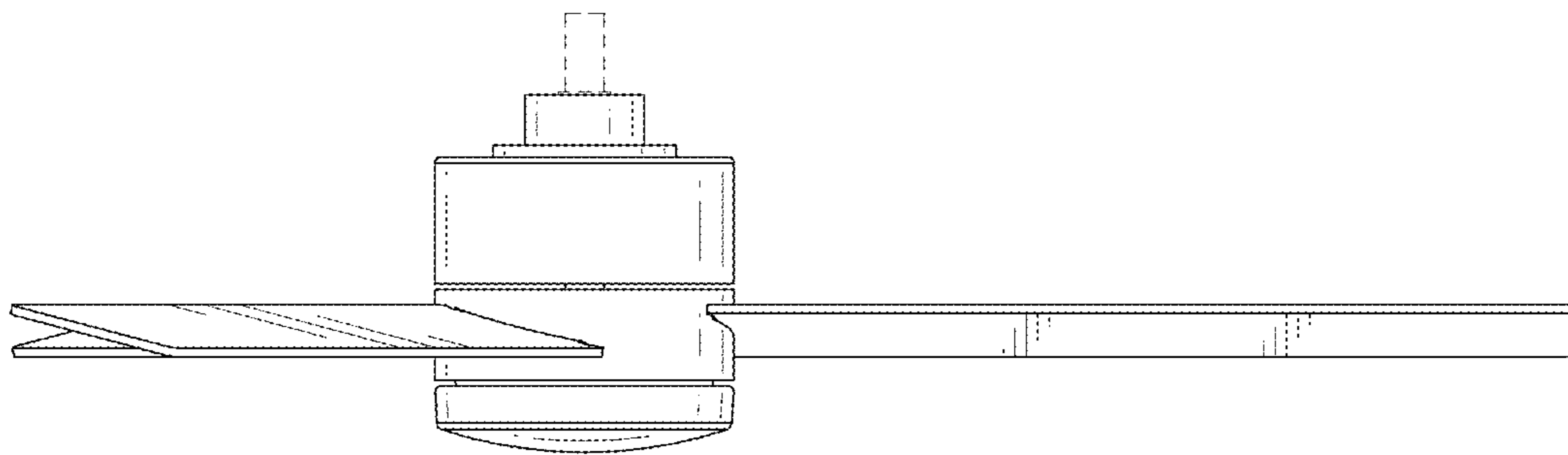


FIG. 5

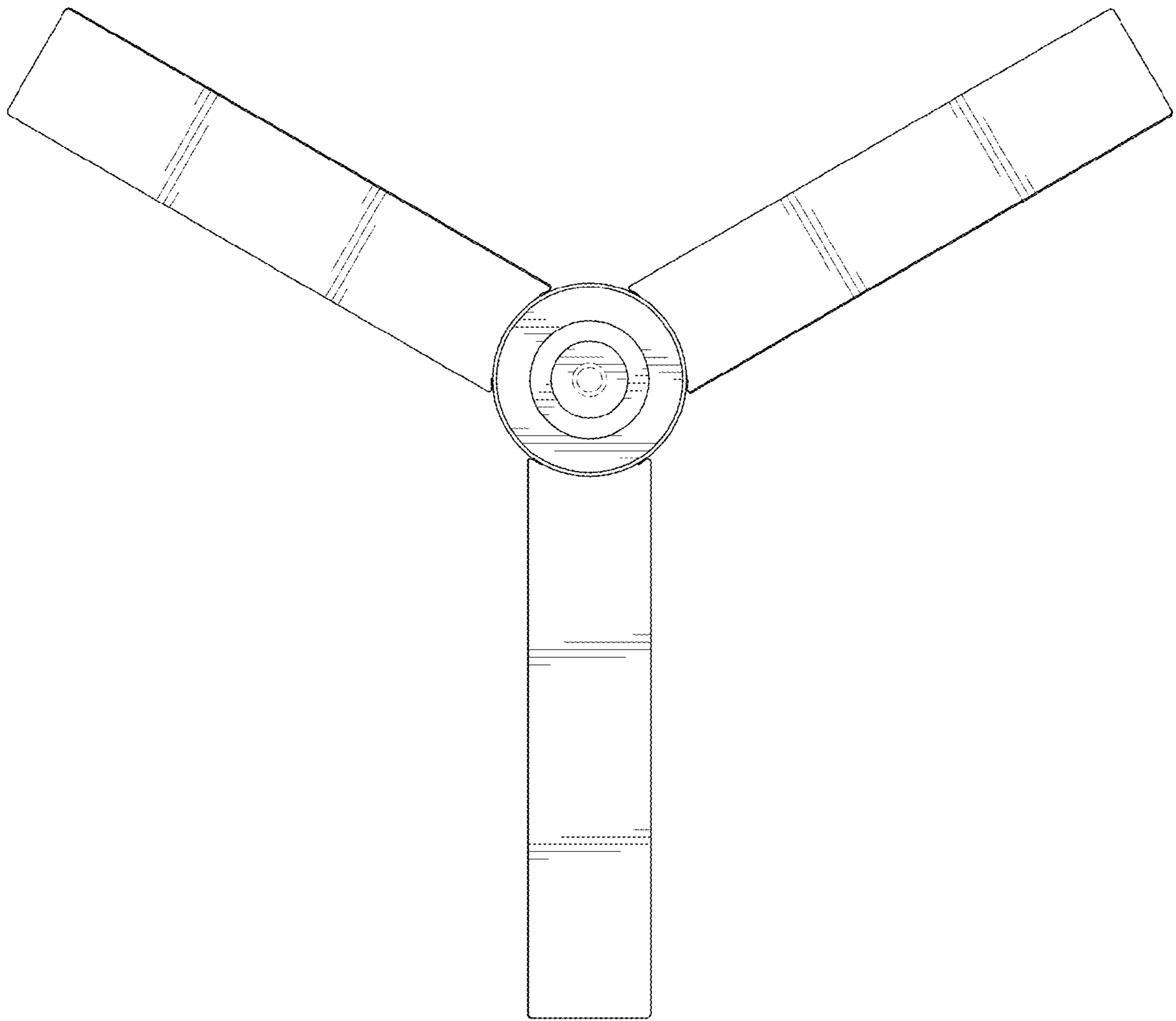


FIG. 6

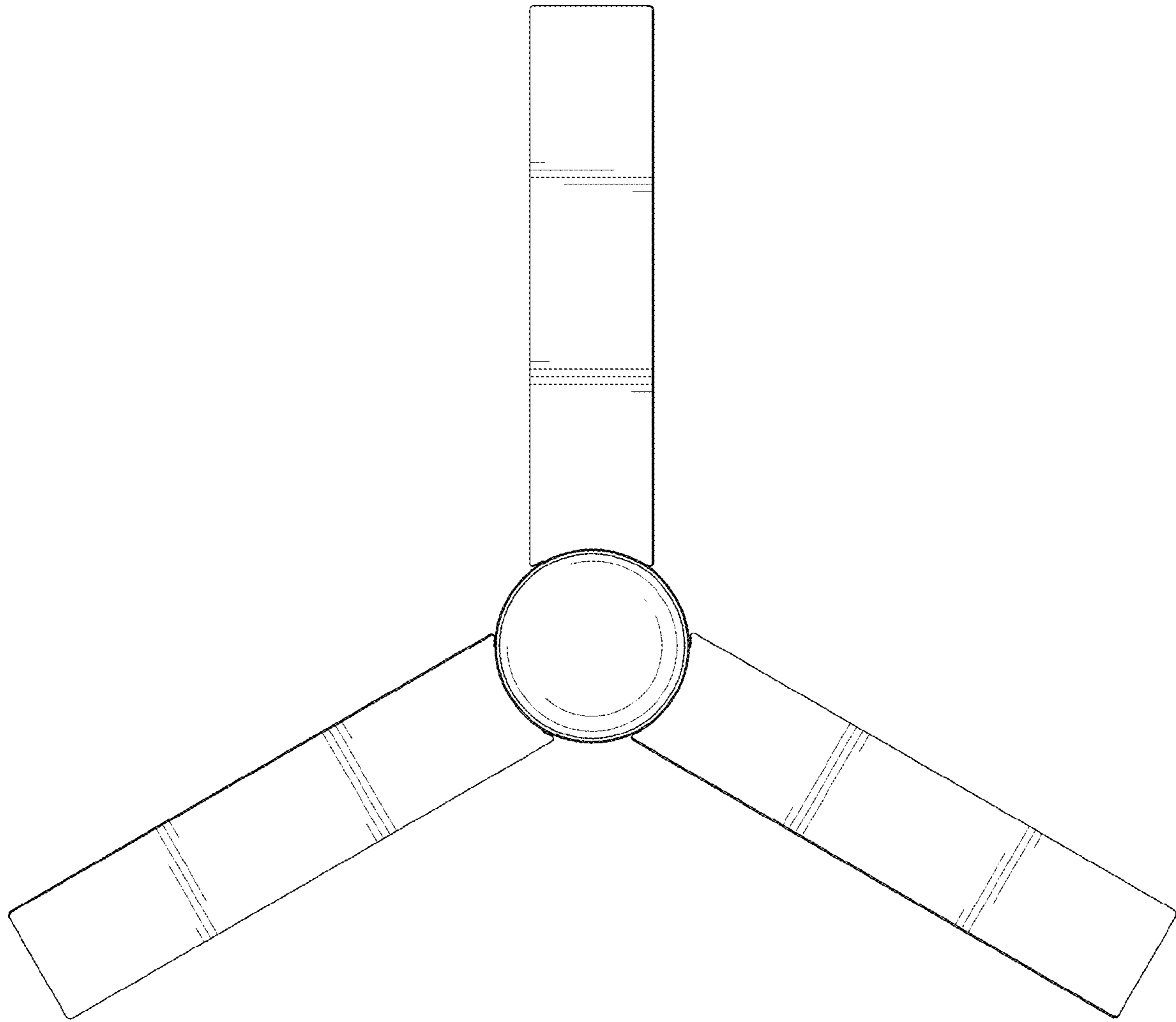


FIG. 7

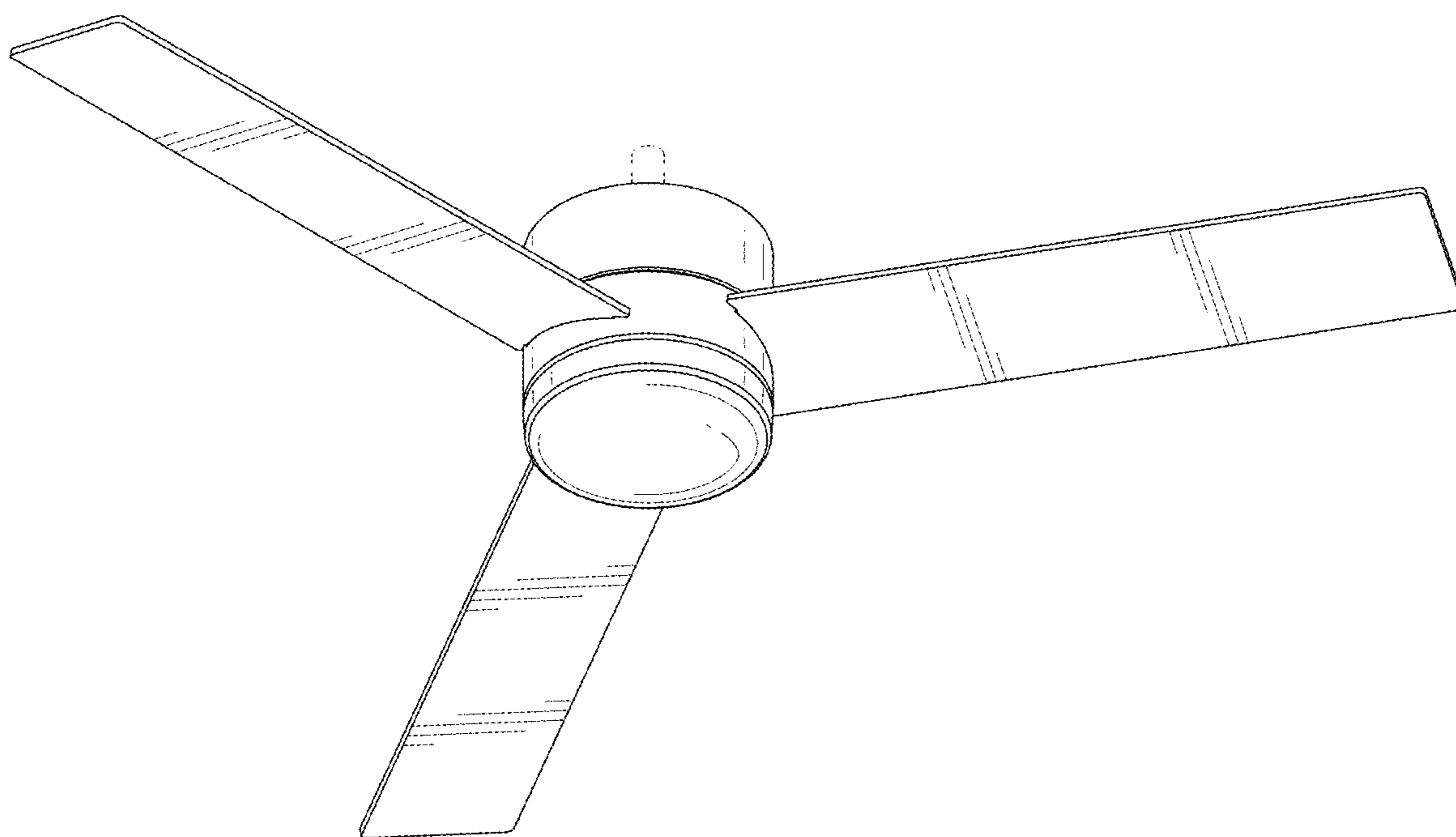


FIG. 8