



US00D938568S

(12) **United States Design Patent**
Hakozaki et al.

(10) **Patent No.:** **US D938,568 S**
(45) **Date of Patent:** **** Dec. 14, 2021**

(54) **BLOWER FAN**

(71) Applicant: **Nidec Corporation**, Kyoto (JP)

(72) Inventors: **Shogo Hakozaki**, Kyoto (JP); **Shoki Yamazaki**, Kyoto (JP); **Tsukasa Takaoka**, Kyoto (JP)

(73) Assignee: **NIDEC CORPORATION**, Kyoto (JP)

(**) Term: **15 Years**

(21) Appl. No.: **29/661,283**

(22) Filed: **Aug. 27, 2018**

(30) **Foreign Application Priority Data**

Mar. 29, 2018 (JP) 2018-006814
Mar. 29, 2018 (JP) 2018-006872

(Continued)

(51) **LOC (13) Cl.** **23-04**

(52) **U.S. Cl.**
USPC **D23/370; D23/380**

(58) **Field of Classification Search**
USPC D23/324–325, 332–336, 355, 366–369,
D23/351–354, 370–386, 393, 411–414
(Continued)

(56) **References Cited**

U.S. PATENT DOCUMENTS

6,612,817 B2 * 9/2003 Lin F04D 19/007
415/199.5
D492,986 S * 7/2004 Chiu D23/370

(Continued)

Primary Examiner — Sharon S Oum

(74) *Attorney, Agent, or Firm* — JCIPRNET

(57) **CLAIM**

The ornamental design for a blower fan, as shown.

DESCRIPTION

FIG. 1 is a front view of a blower fan showing a first embodiment of our new design;

FIG. 2 is a rear view thereof;
FIG. 3 is a left side view thereof;
FIG. 4 is a right side view thereof;
FIG. 5 is a top view thereof;
FIG. 6 is a bottom view thereof; and,
FIG. 7 is a perspective view thereof.
FIG. 8 is a front view of a blower fan showing a second embodiment of our new design;
FIG. 9 is a rear view thereof;
FIG. 10 is a left side view thereof;
FIG. 11 is a right side view thereof;
FIG. 12 is a top view thereof;
FIG. 13 is a bottom view thereof; and
FIG. 14 is a perspective view thereof;
FIG. 15 is a front view of a blower fan showing a third embodiment of our new design;
FIG. 16 is a rear view thereof;
FIG. 17 is a left side view thereof;
FIG. 18 is a right side view thereof;
FIG. 19 is a top view thereof;
FIG. 20 is a bottom view thereof; and
FIG. 21 is a perspective view thereof;
FIG. 22 is a front view of a blower fan showing a fourth embodiment of our new design;
FIG. 23 is a rear view thereof;
FIG. 24 is a left side view thereof;
FIG. 25 is a right side view thereof;
FIG. 26 is a top view thereof;
FIG. 27 is a bottom view thereof; and
FIG. 28 is a perspective view thereof;
FIG. 29 is a front view of a blower fan showing a fifth embodiment of our new design;
FIG. 30 is a rear view thereof;
FIG. 31 is a left side view thereof;
FIG. 32 is a right side view thereof;
FIG. 33 is a top view thereof;
FIG. 34 is a bottom view thereof; and
FIG. 35 is a perspective view thereof;
FIG. 36 is a front view of a blower fan showing a sixth embodiment of our new design;
FIG. 37 is a rear view thereof;
FIG. 38 is a left side view thereof;
FIG. 39 is a right side view thereof;
FIG. 40 is a top view thereof;

(Continued)

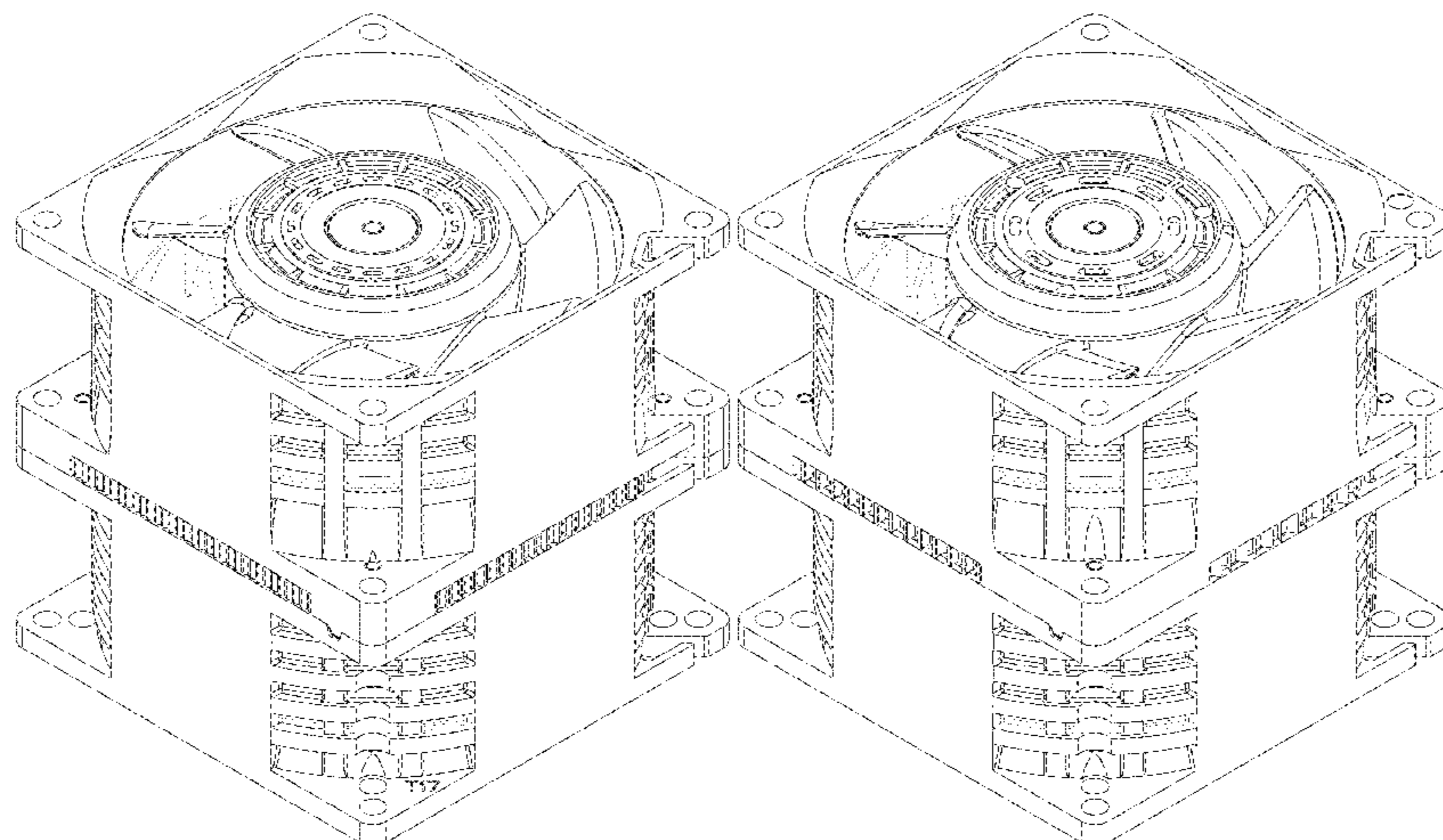


FIG. 41 is a bottom view thereof; and
 FIG. 42 is a perspective view thereof;
 FIG. 43 is a front view of a blower fan showing a seventh embodiment of our new design;
 FIG. 44 is a rear view thereof;
 FIG. 45 is a left side view thereof;
 FIG. 46 is a right side view thereof;
 FIG. 47 is a top view thereof;
 FIG. 48 is a bottom view thereof; and,
 FIG. 49 is a perspective view thereof.
 The portions of the blower fan shown in broken lines form no part of the claimed design.

1 Claim, 28 Drawing Sheets

(30) **Foreign Application Priority Data**

Mar. 29, 2018 (JP) 2018-006873
 Mar. 29, 2018 (JP) 2018-006874
 Mar. 29, 2018 (JP) 2018-006875
 Mar. 29, 2018 (JP) 2018-006876
 Mar. 29, 2018 (JP) 2018-006877
 Mar. 29, 2018 (JP) 2018-006878

(58) **Field of Classification Search**

CPC F04D 29/545; F04D 29/661; F04D 5/00;
 F04D 27/00; F04D 29/329; F04D
 25/0693; F04D 19/002; F04D 29/646;
 F04D 29/522; F04D 29/667; F04D
 19/007

See application file for complete search history.

(56)

References Cited

U.S. PATENT DOCUMENTS

D507,639	S *	7/2005	Chiu	D23/370
D516,194	S *	2/2006	Oosawa	D23/370
D517,674	S *	3/2006	Oosawa	D23/370
D523,130	S *	6/2006	Hornig	D23/370
7,275,911	B2 *	10/2007	Lee	F04D 25/0613 415/211.2
D696,764	S *	12/2013	Sato	D23/370
8,870,528	B2 *	10/2014	Teramoto	F04D 29/023 415/119
10,415,586	B2 *	9/2019	Inouchi	F04D 25/0613
10,563,659	B2 *	2/2020	Liu	F04D 19/007
10,697,466	B2 *	6/2020	Hakozaki	F04D 29/164
10,711,790	B2 *	7/2020	Hakozaki	F04D 29/667
2007/0212219	A1 *	9/2007	Teshima	F04D 29/441 415/206
2008/0101920	A1 *	5/2008	Yoshida	F04D 25/08 415/68
2009/0155104	A1 *	6/2009	Takeshita	F04D 25/0613 417/423.5
2016/0097396	A1 *	4/2016	Yamagata	F04D 25/0613 417/45
2016/0097402	A1 *	4/2016	Yamagata	F04D 29/703 417/423.7
2017/0051747	A1 *	2/2017	Nakamura	F04D 19/007
2018/0195525	A1 *	7/2018	Hakozaki	F04D 19/007
2018/0195526	A1 *	7/2018	Hakozaki	F04D 19/007
2018/0252224	A1 *	9/2018	Yamasaki	F04D 25/0693
2019/0085851	A1 *	3/2019	Hakozaki	F04D 19/007
2019/0199155	A1 *	6/2019	Takaoka	H02K 21/22

* cited by examiner

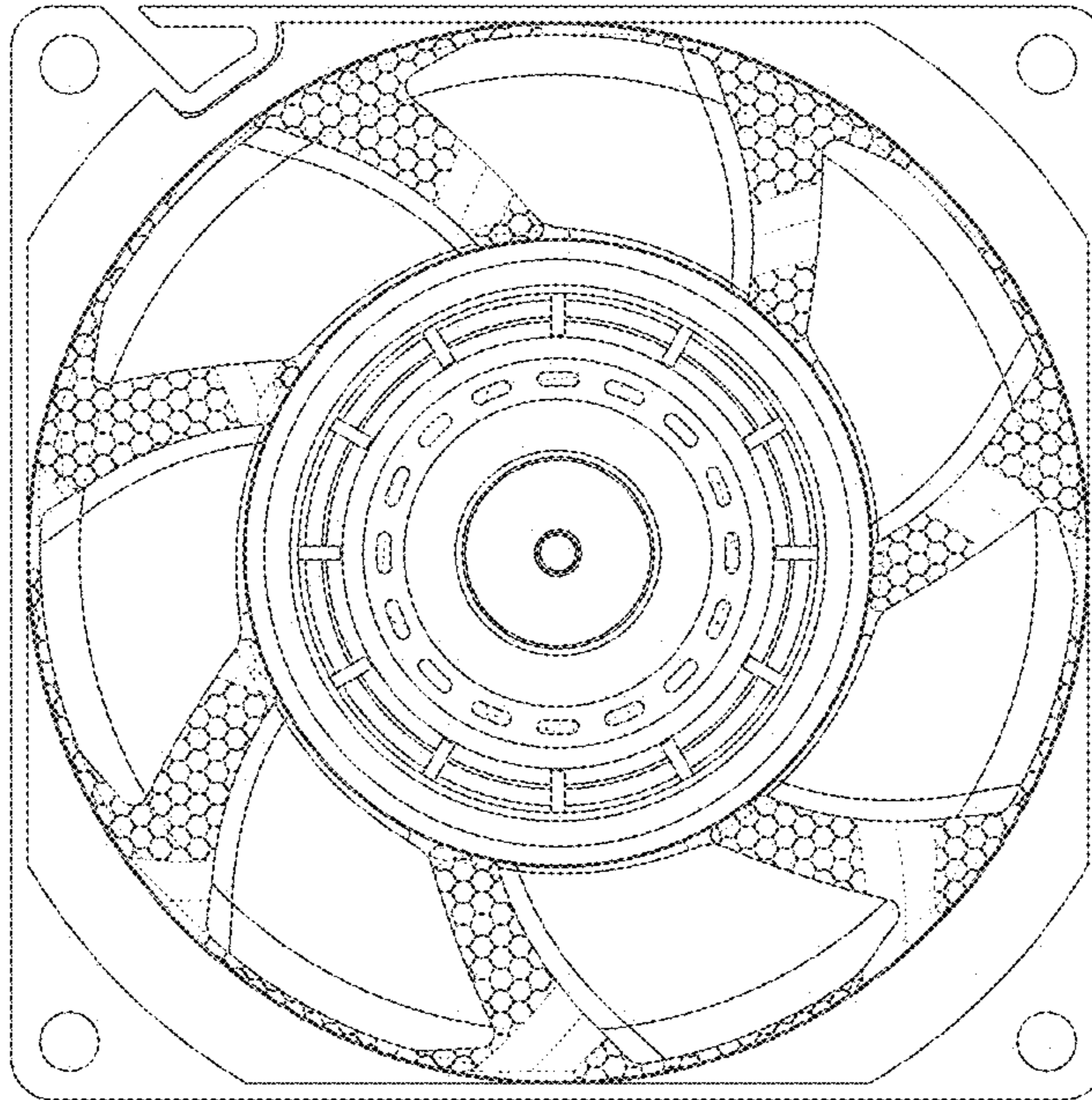


FIG. 1

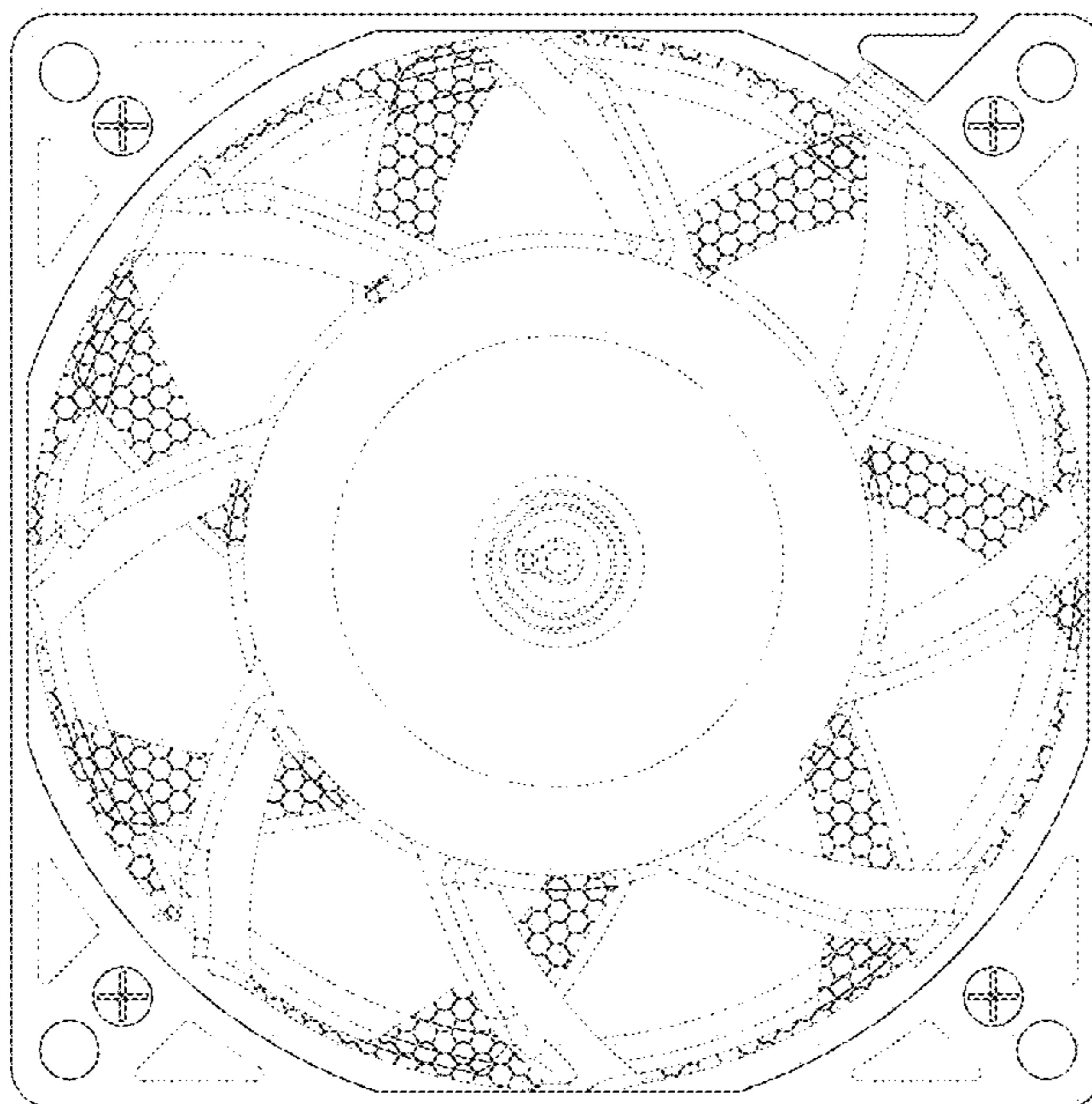


FIG. 2

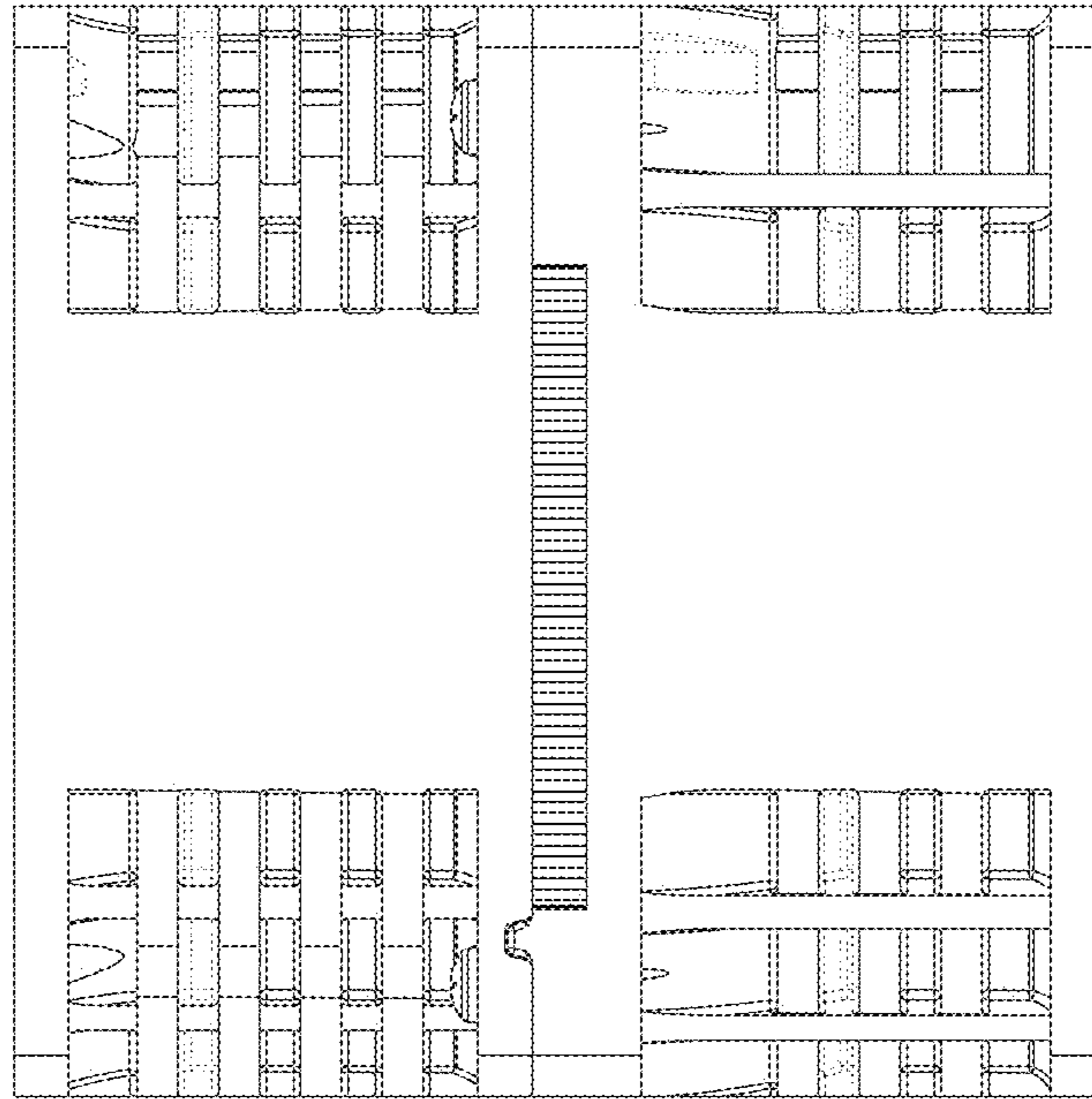


FIG. 3

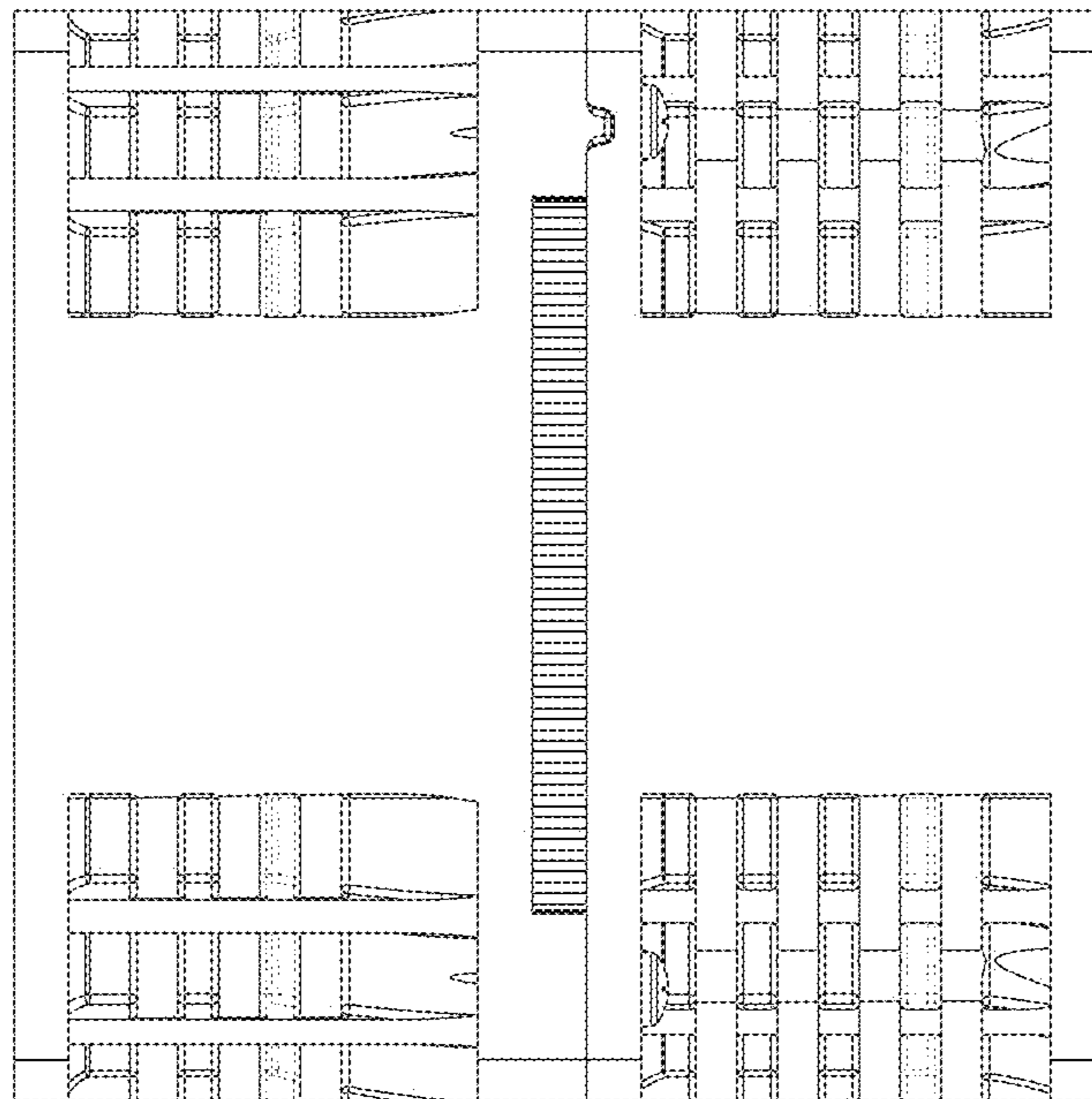


FIG. 4

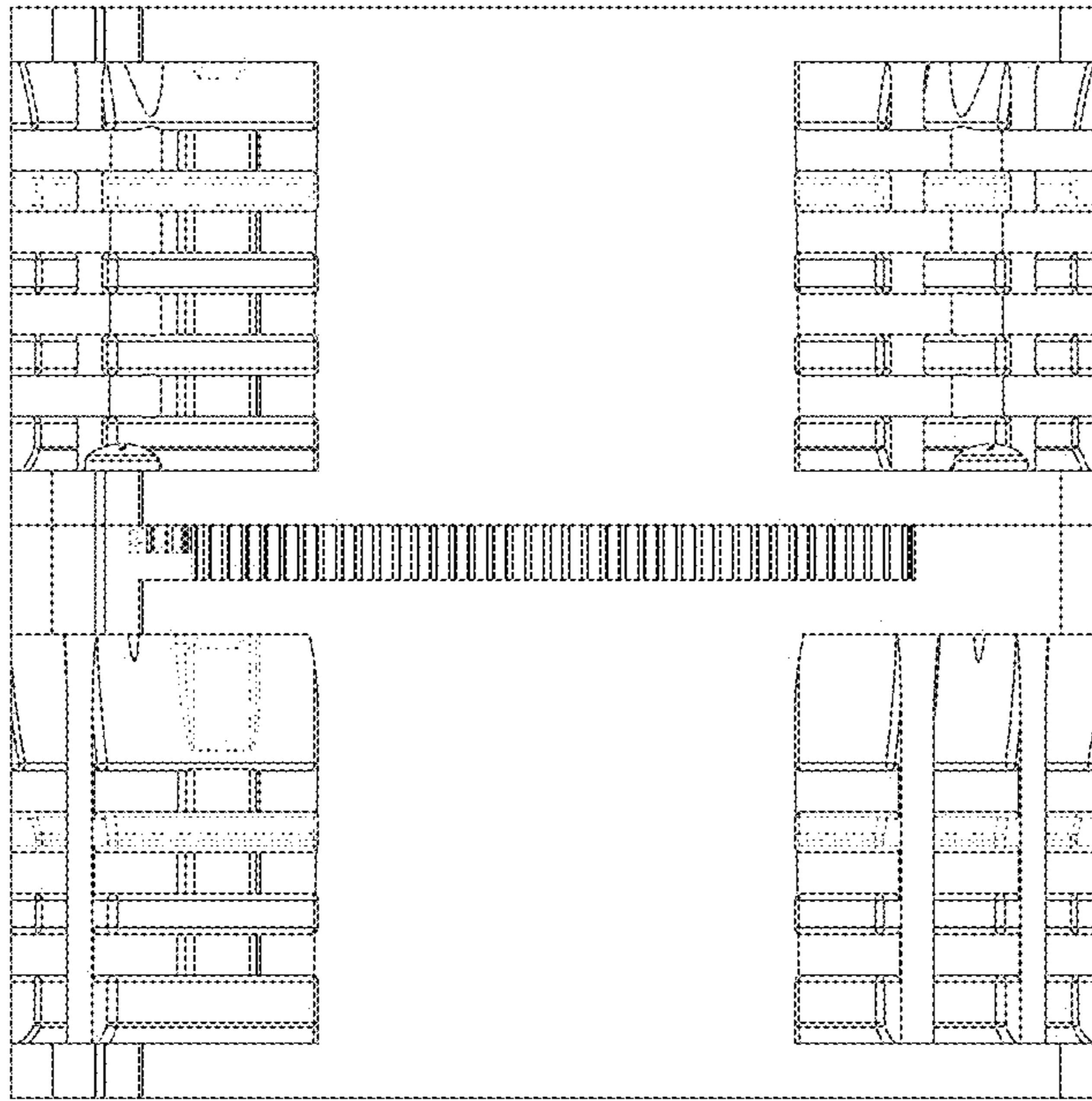


FIG. 5

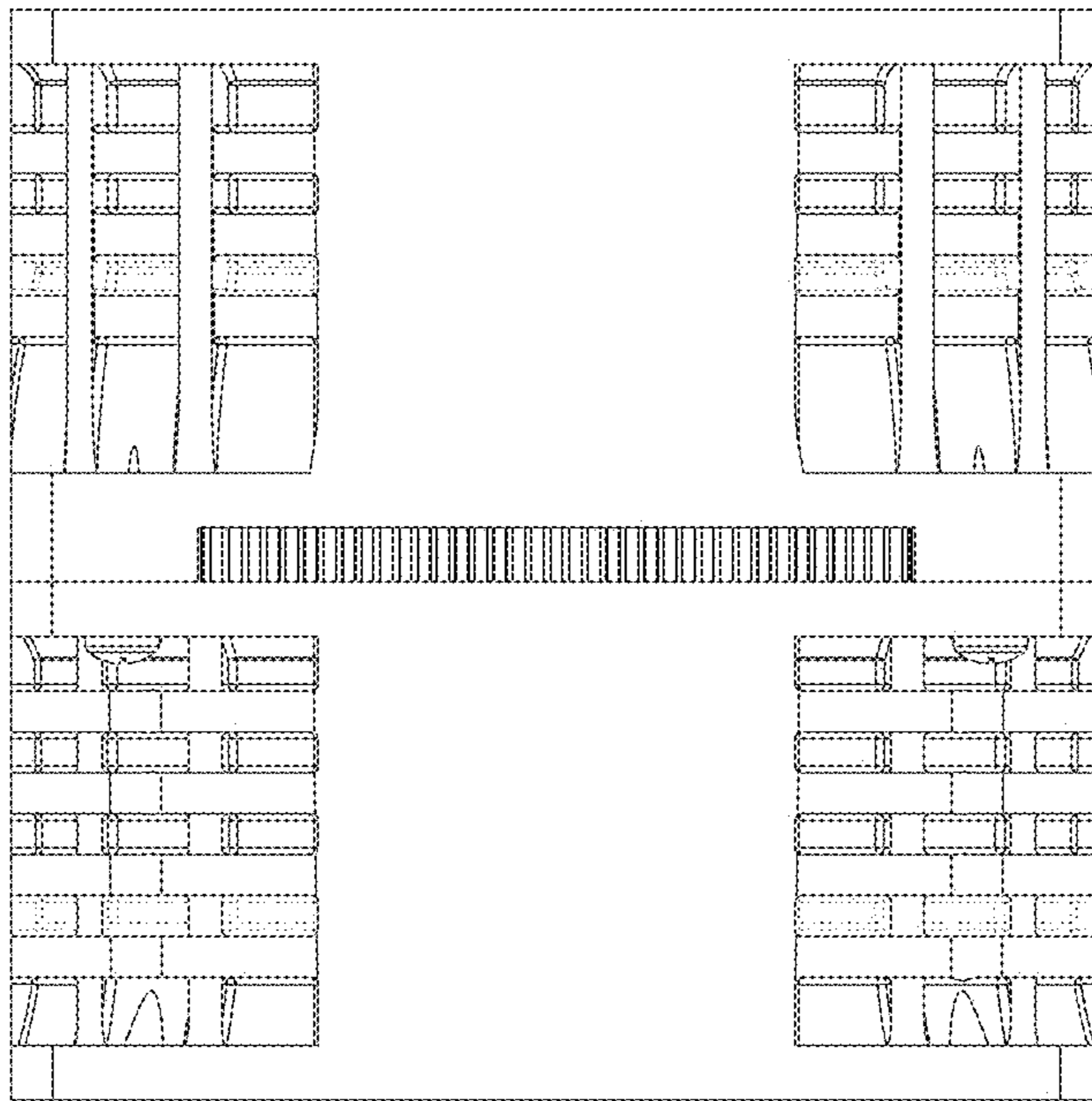


FIG. 6

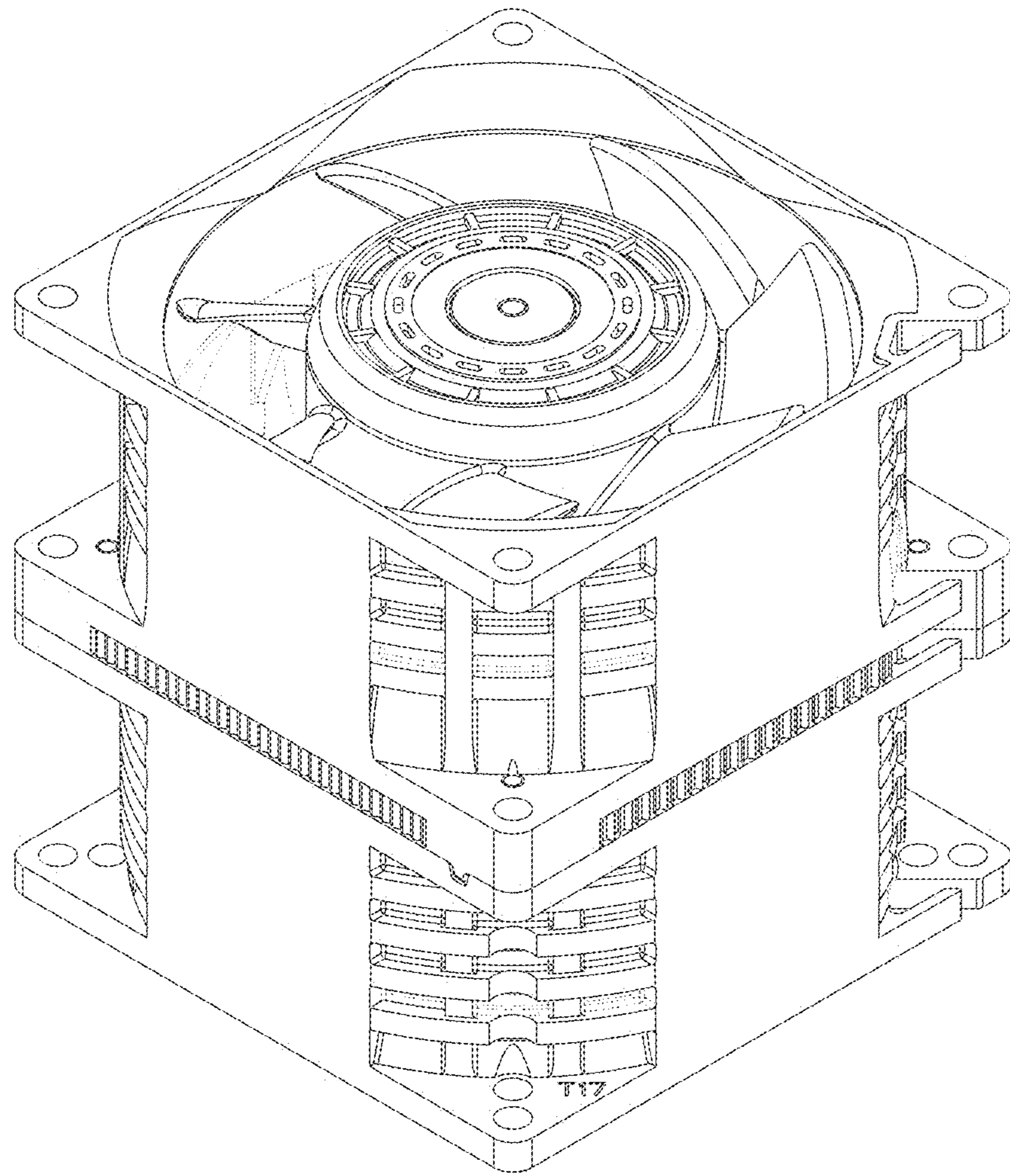


FIG. 7

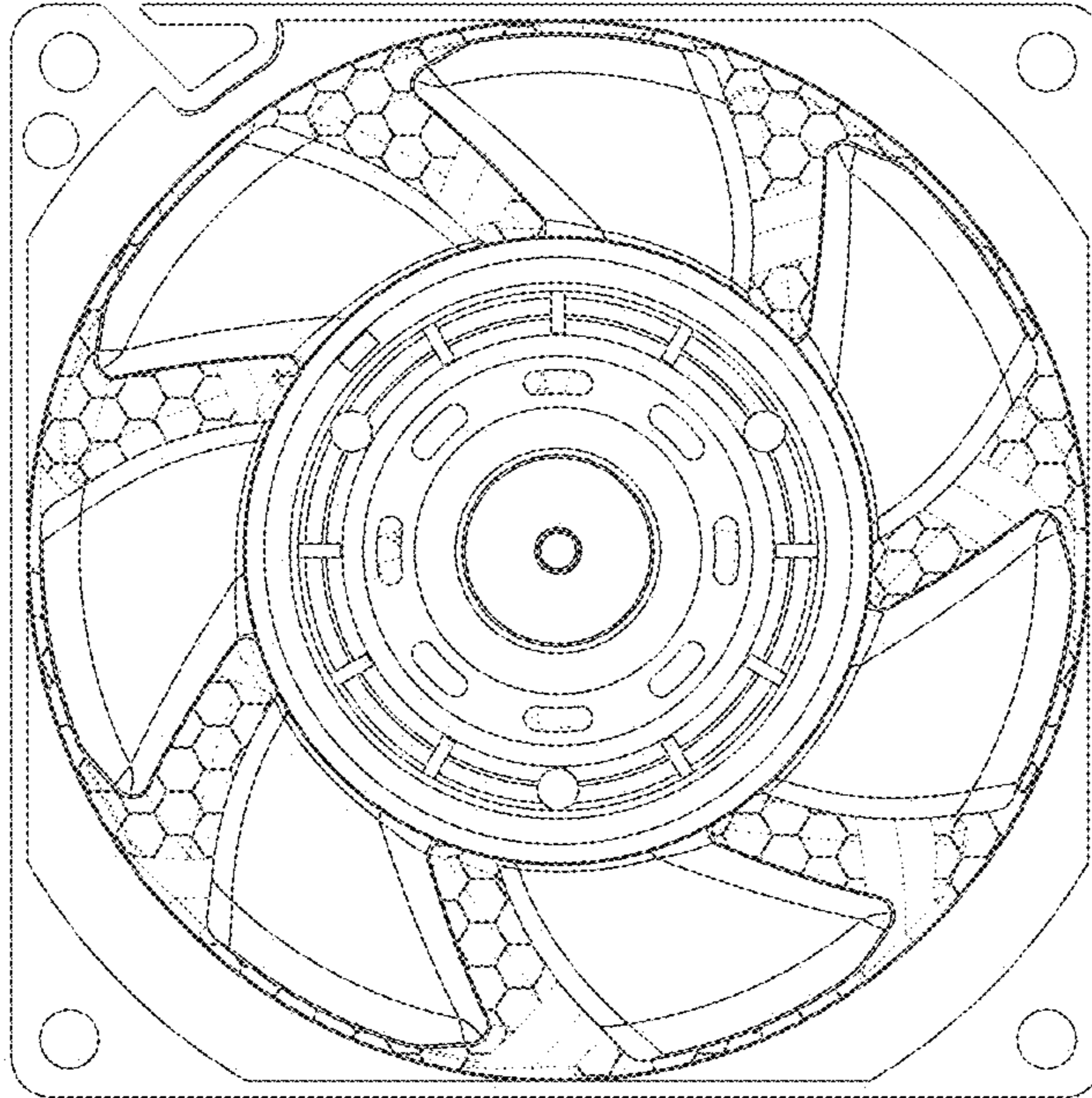


FIG. 8

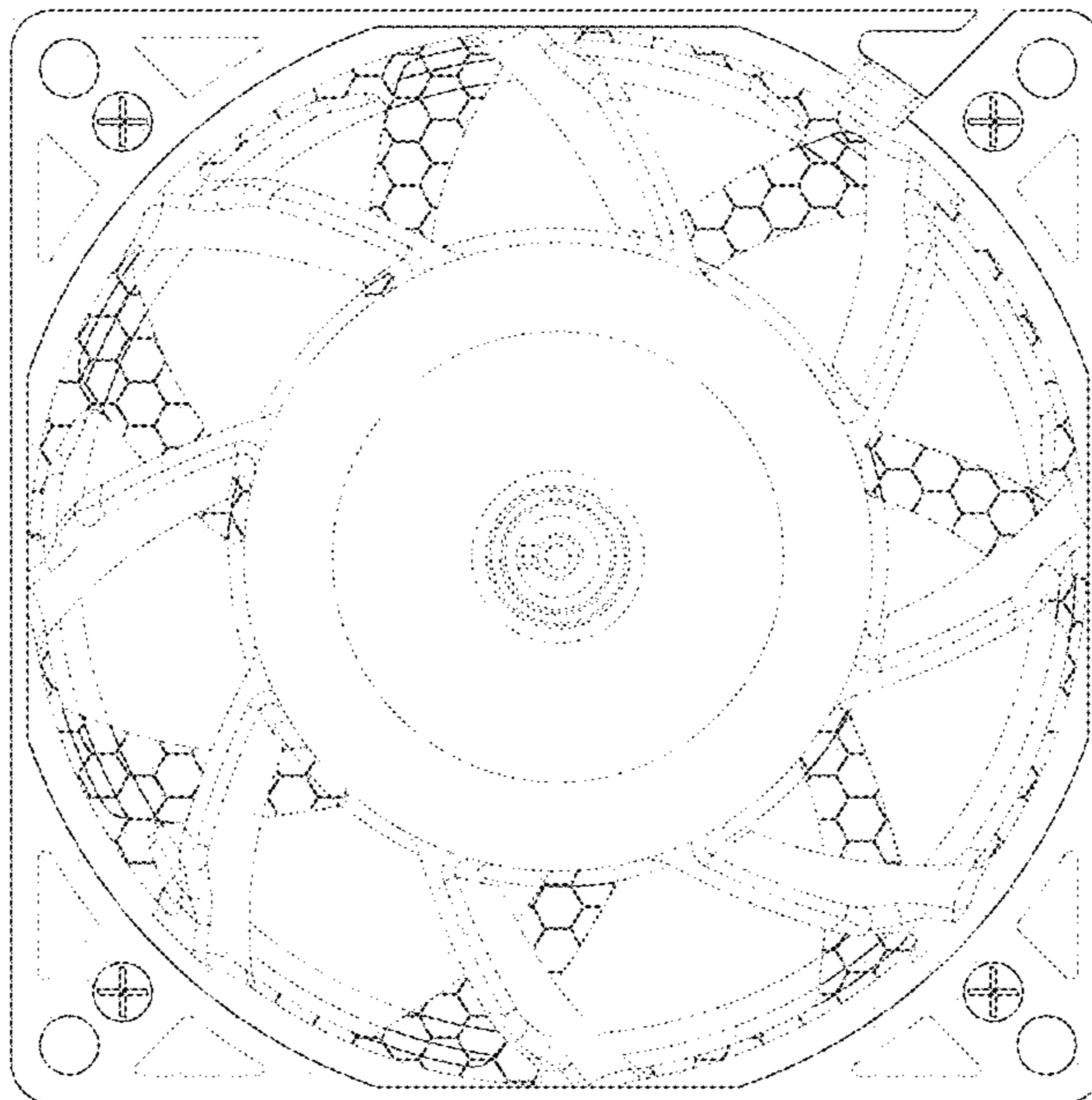


FIG. 9

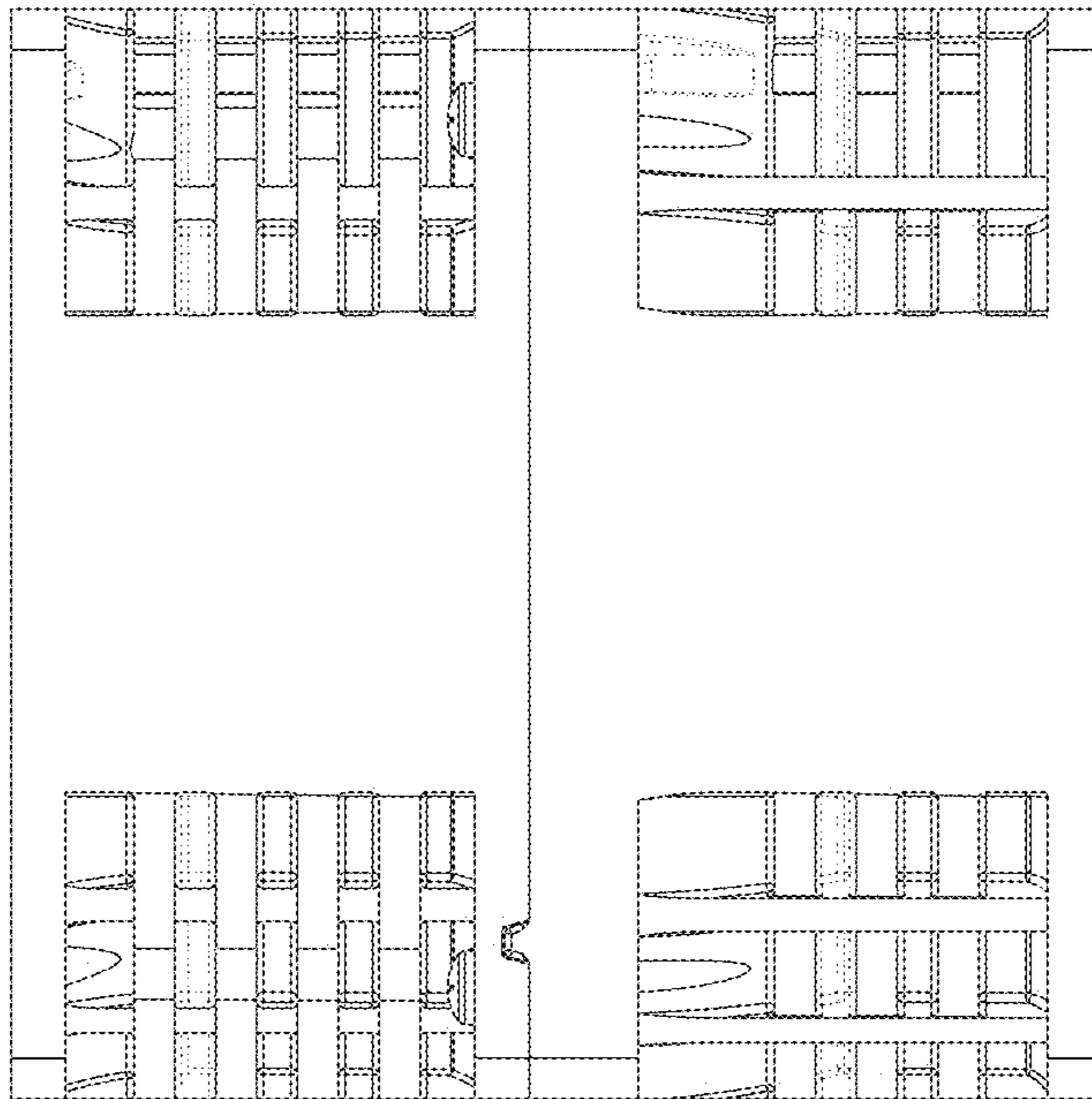


FIG. 10

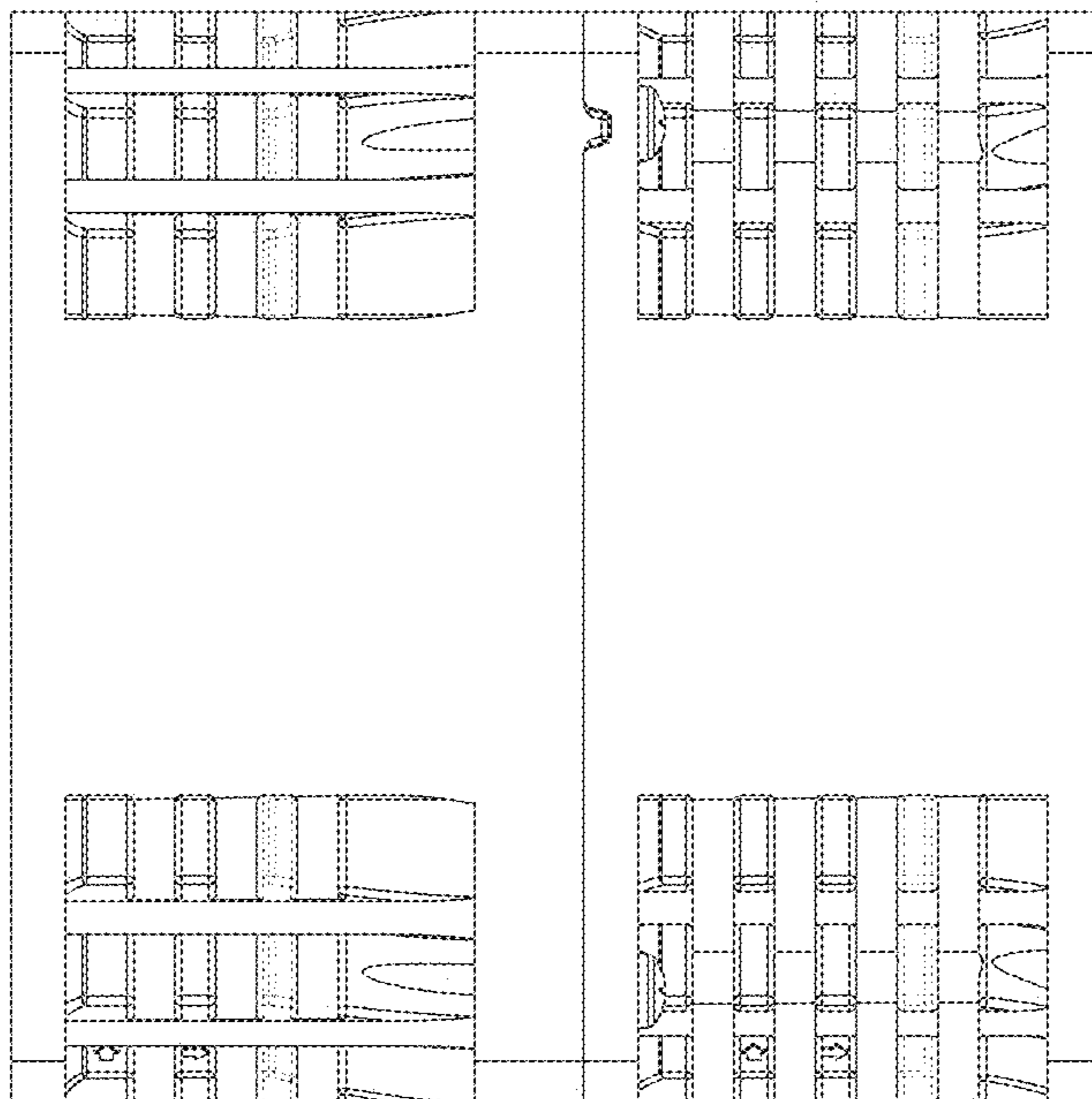


FIG. 11

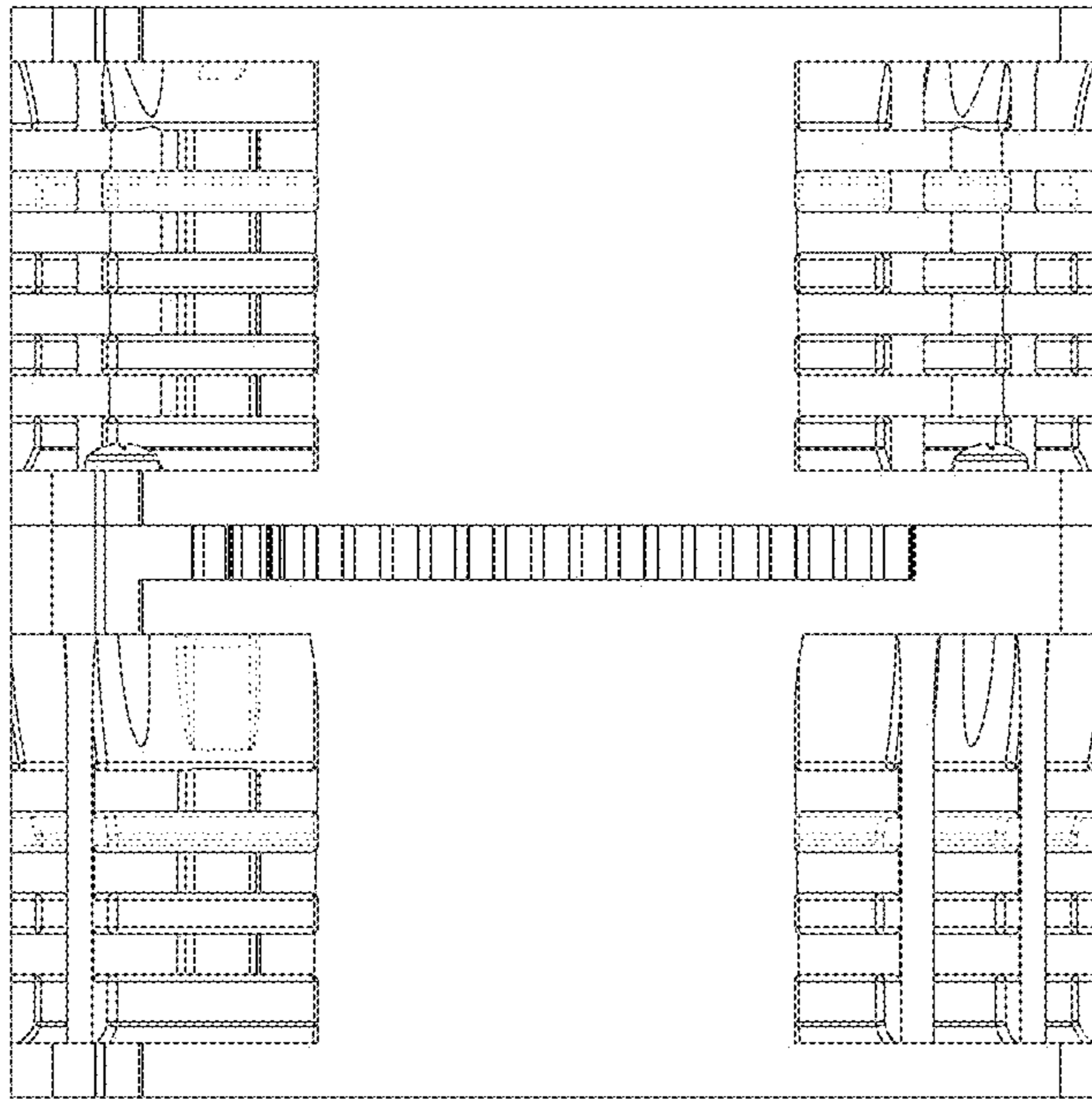


FIG. 12

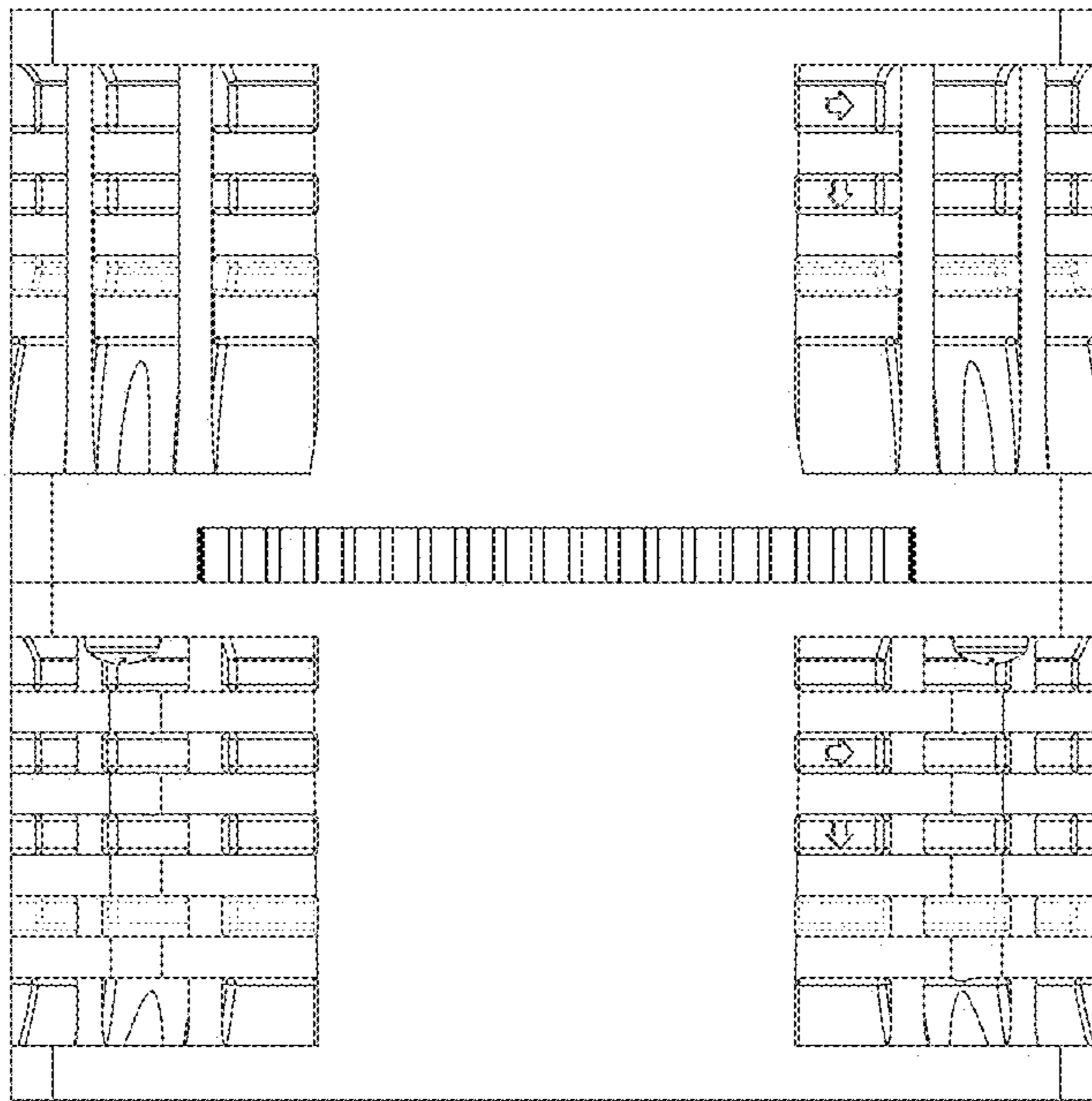


FIG. 13

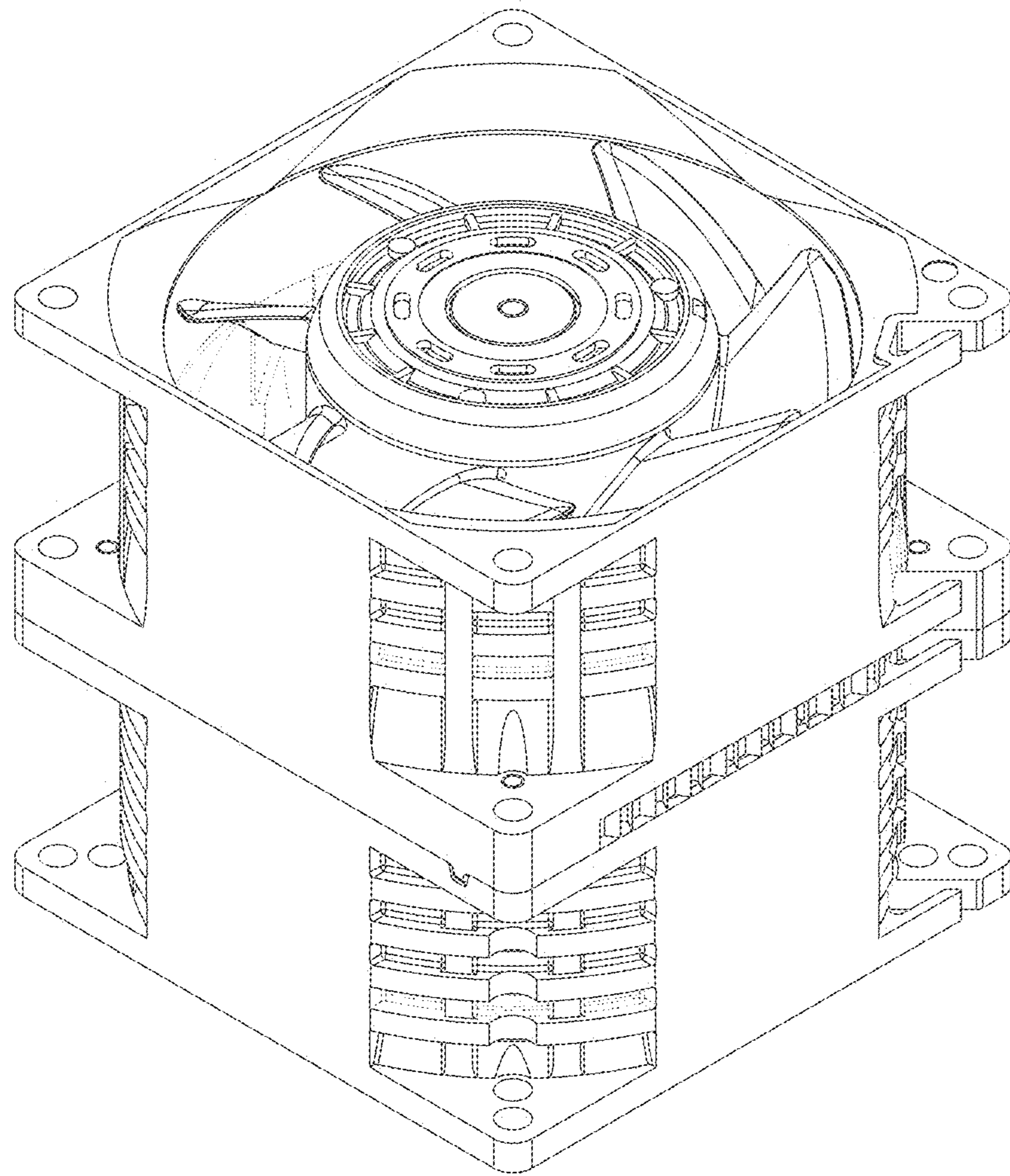


FIG. 14

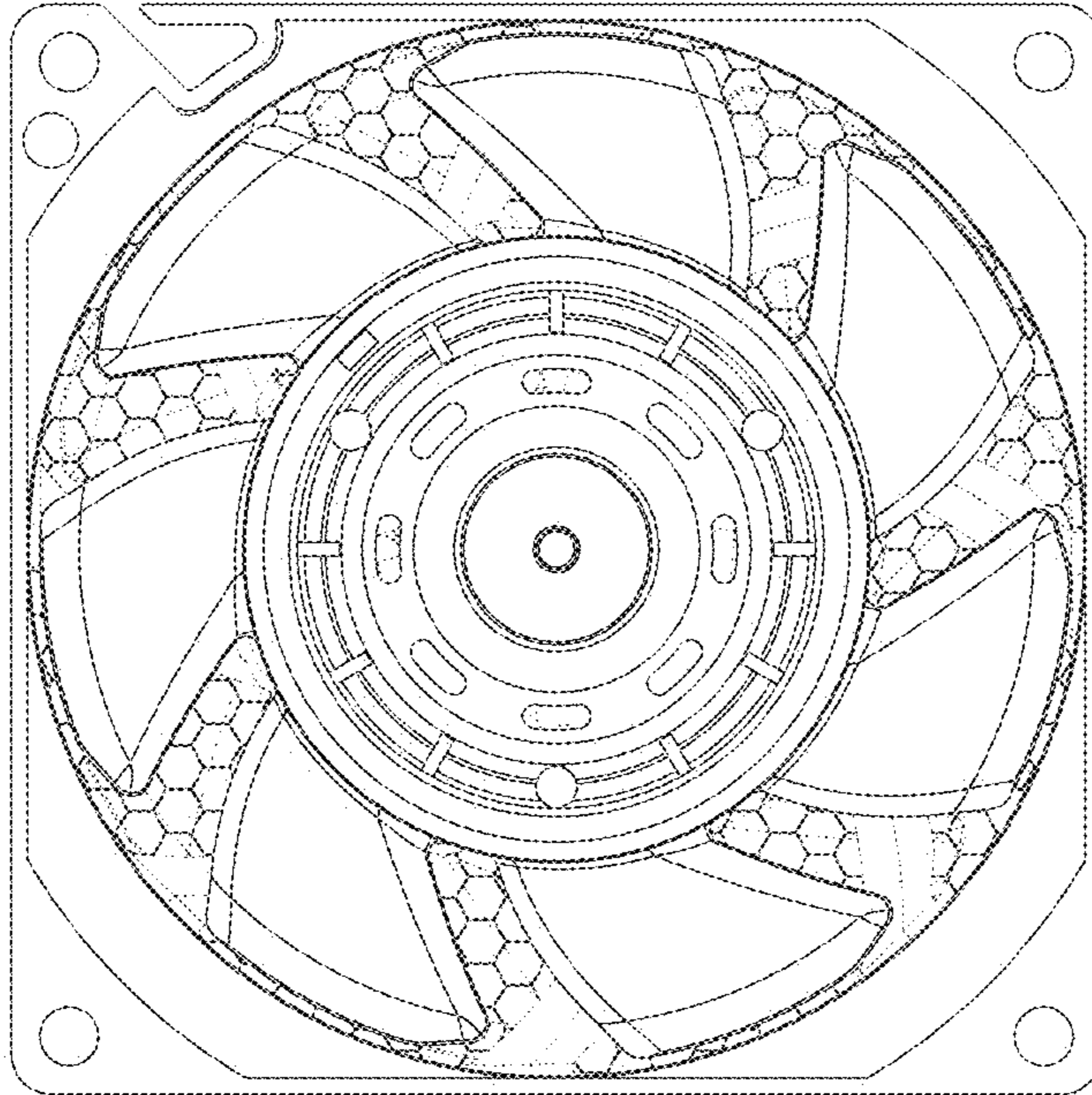


FIG. 15

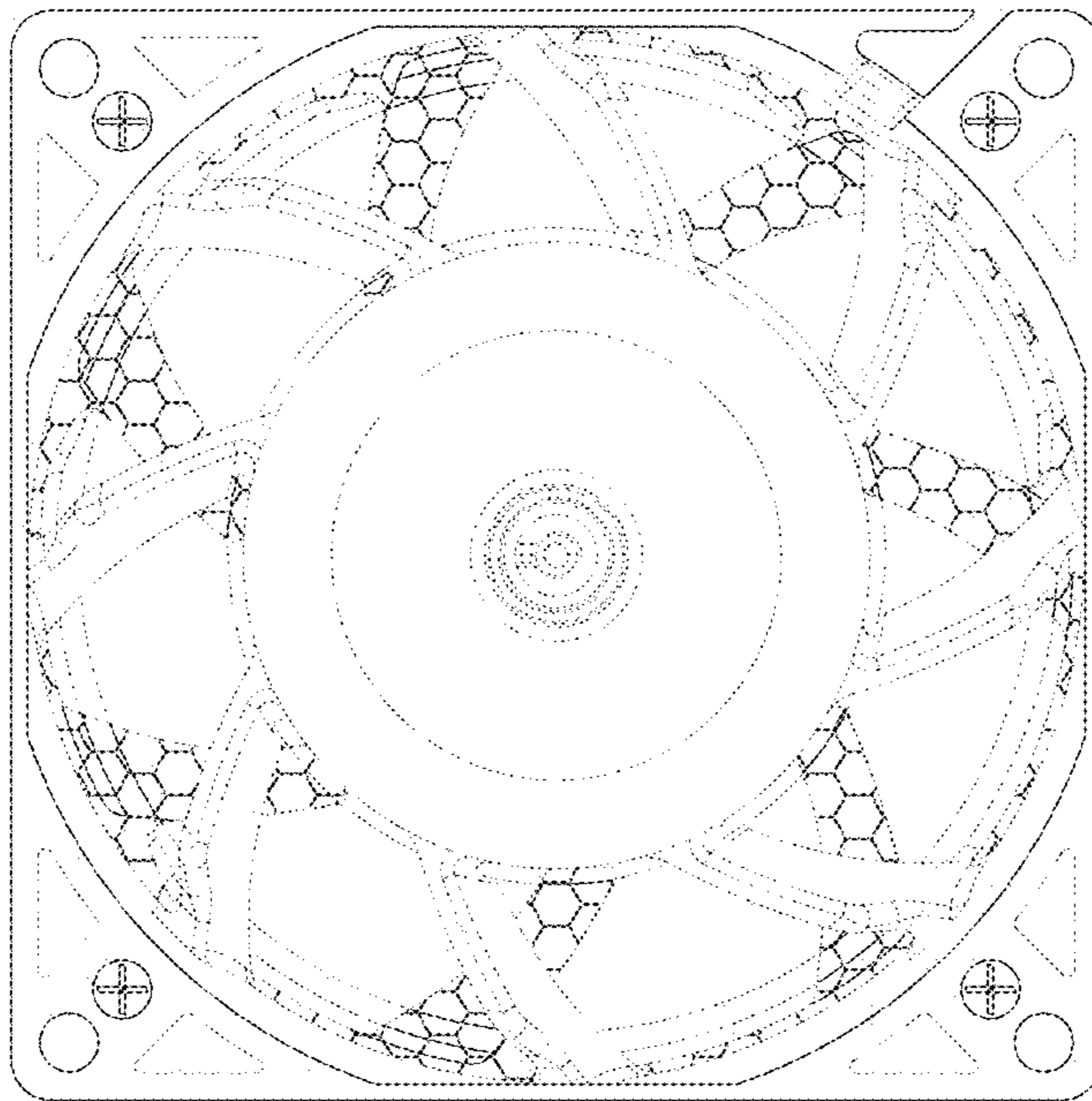


FIG. 16

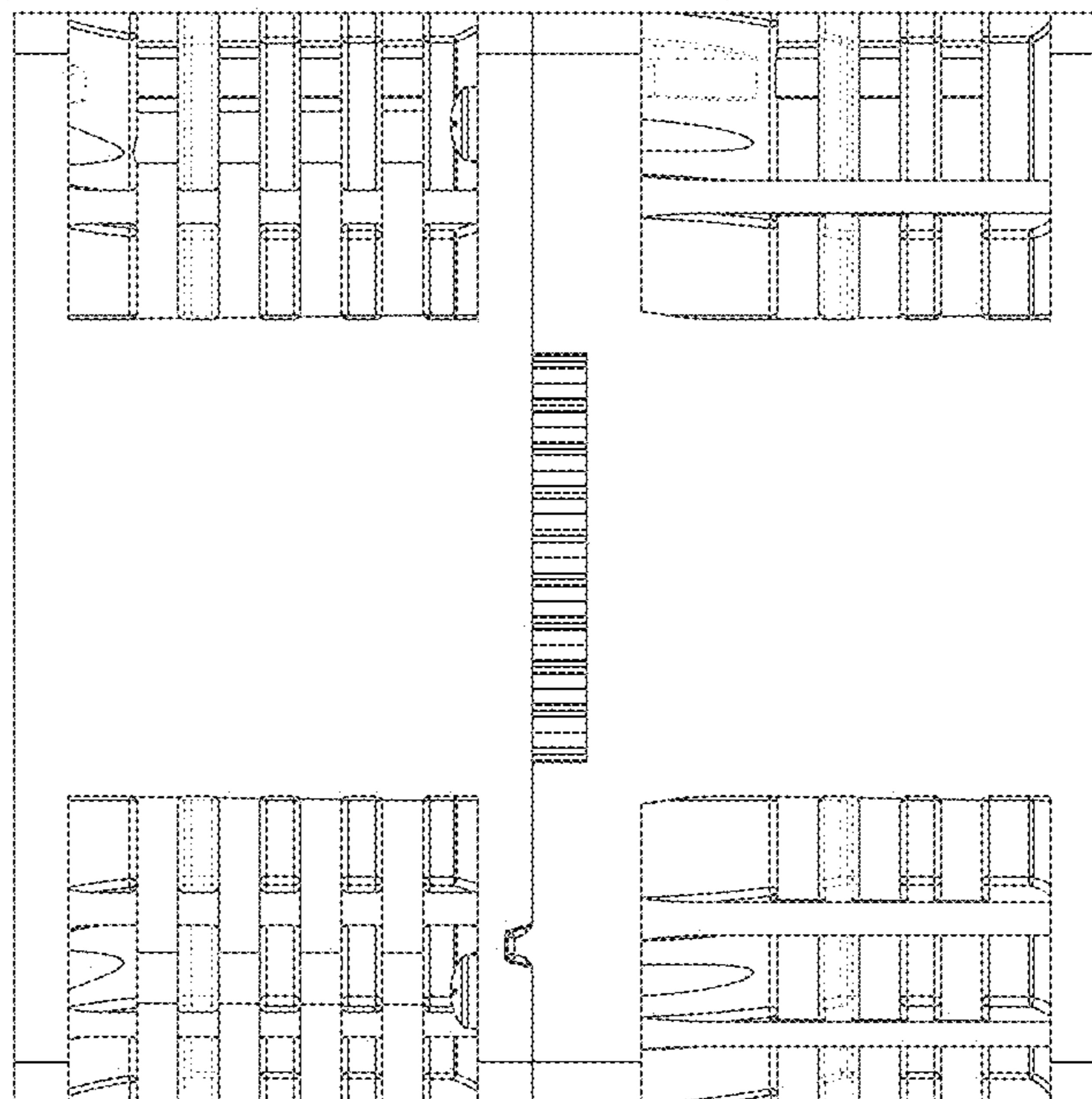


FIG. 17

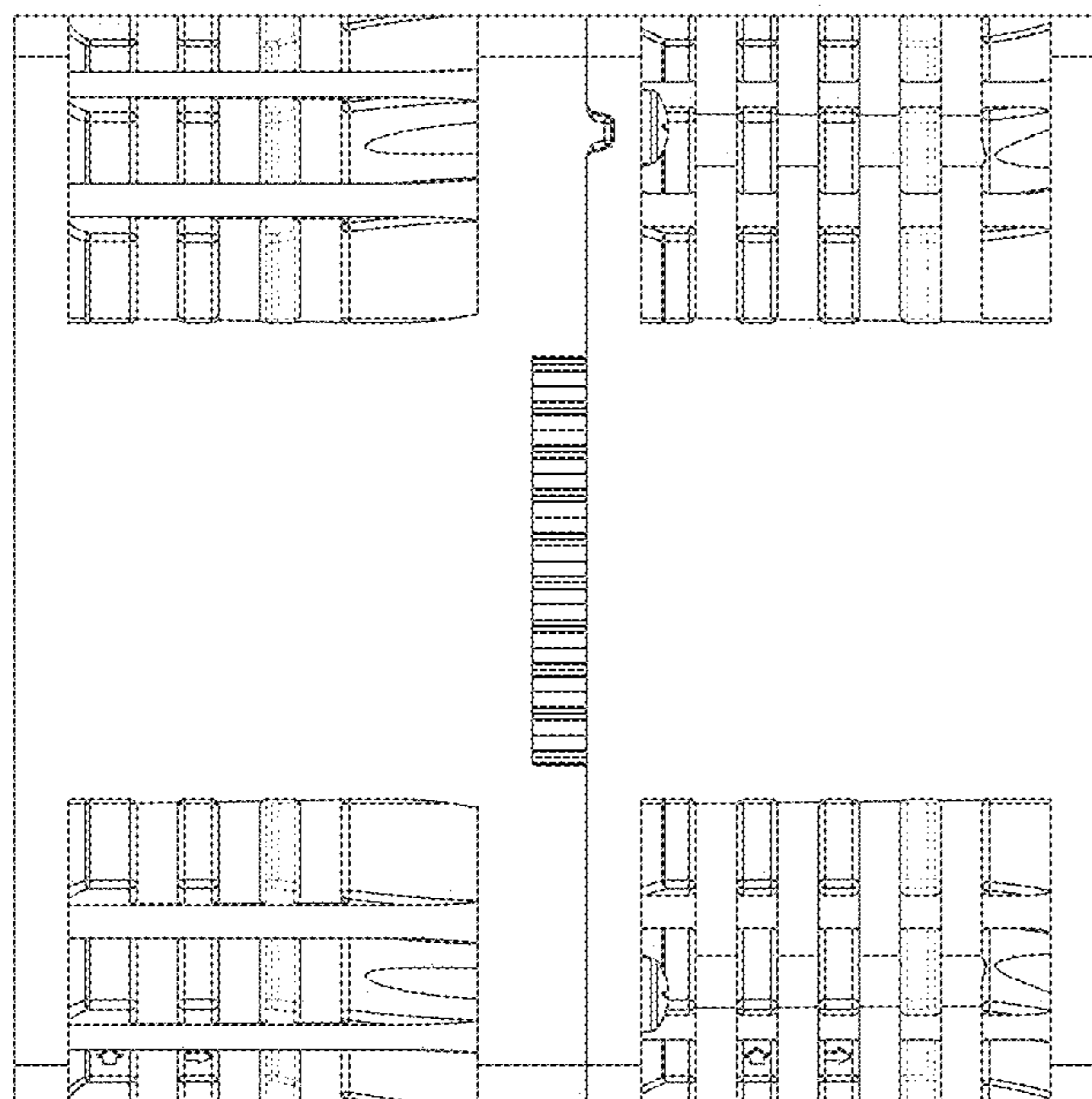


FIG. 18

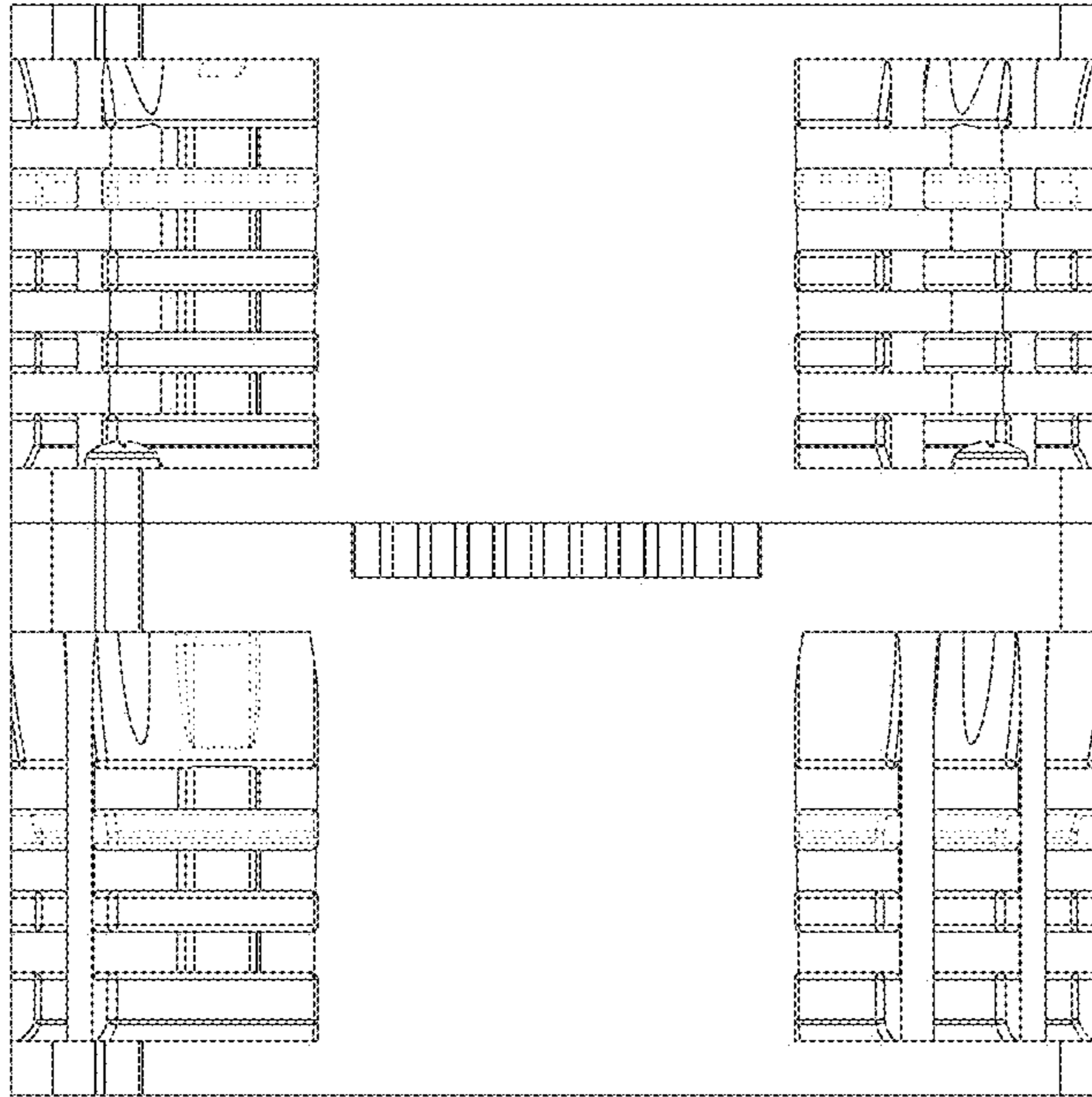


FIG. 19

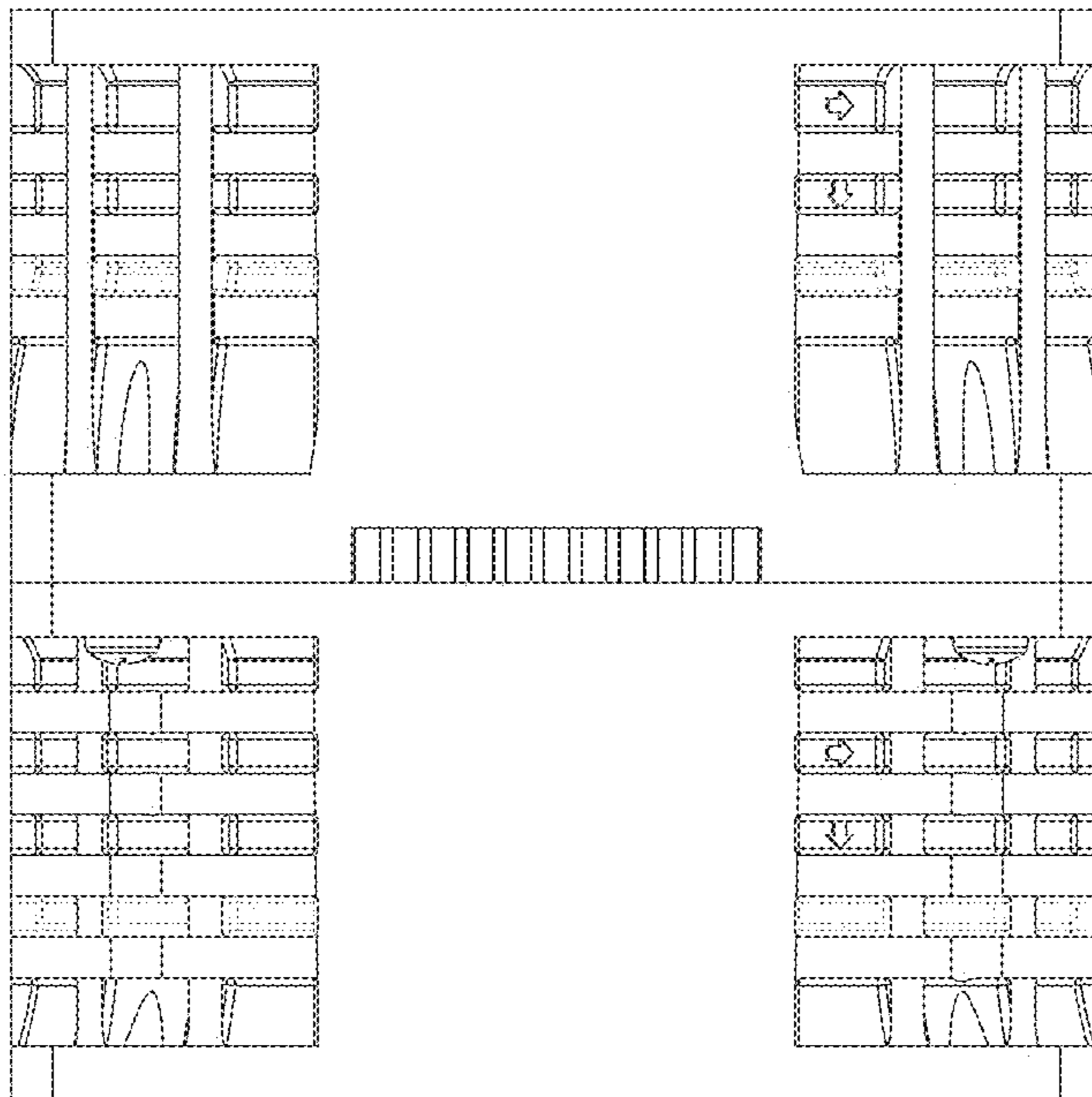


FIG. 20

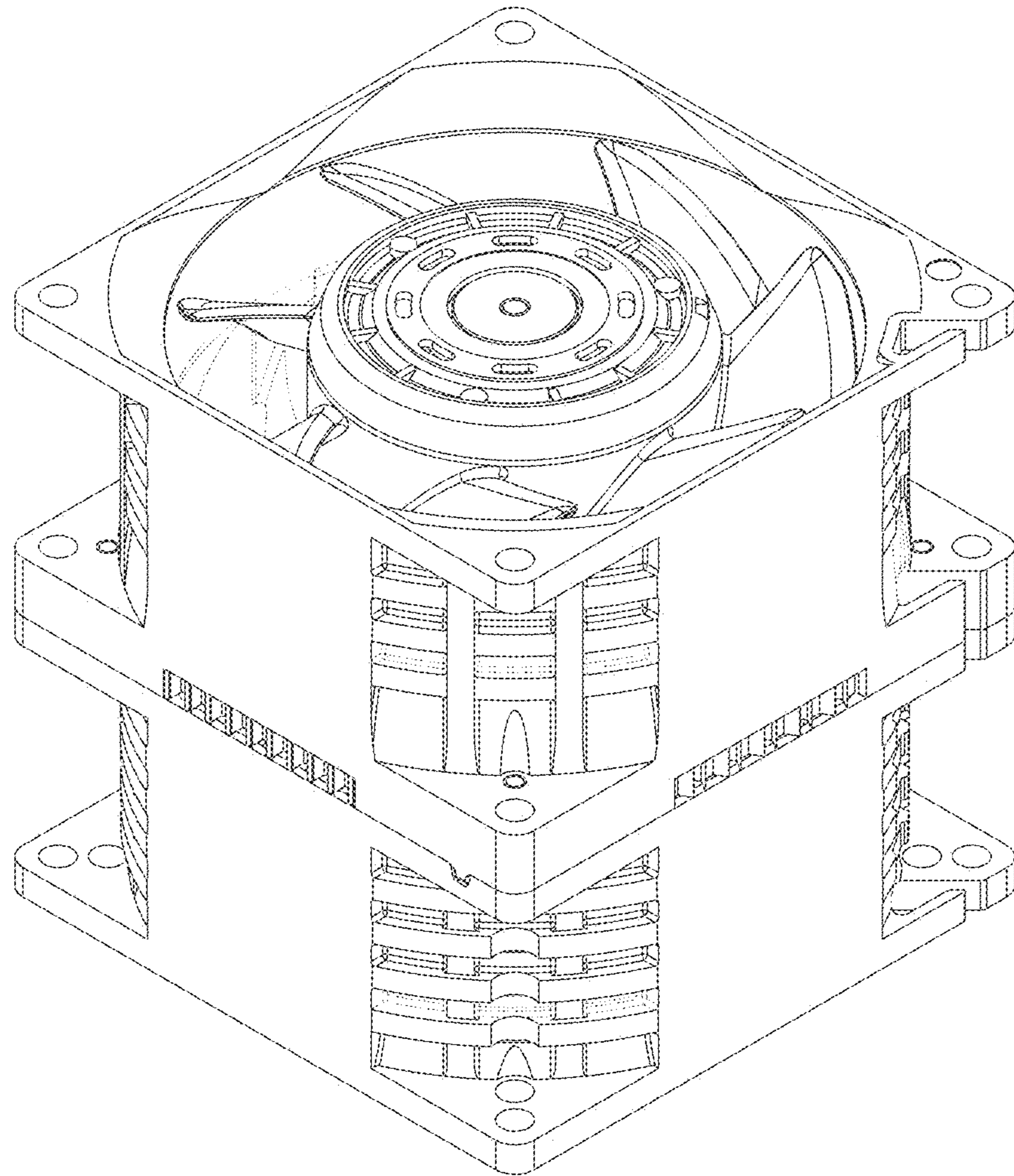


FIG. 21

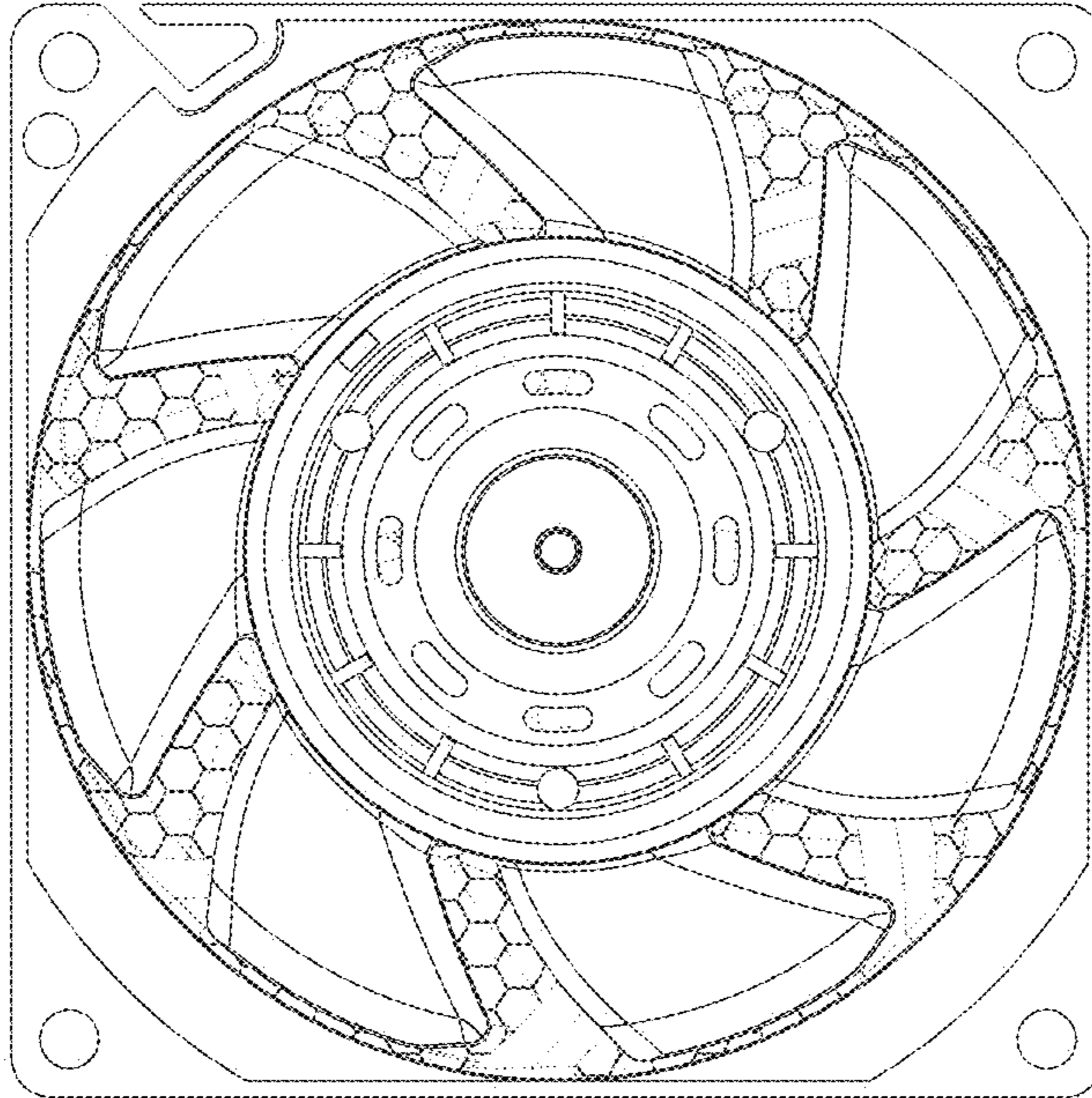


FIG. 22

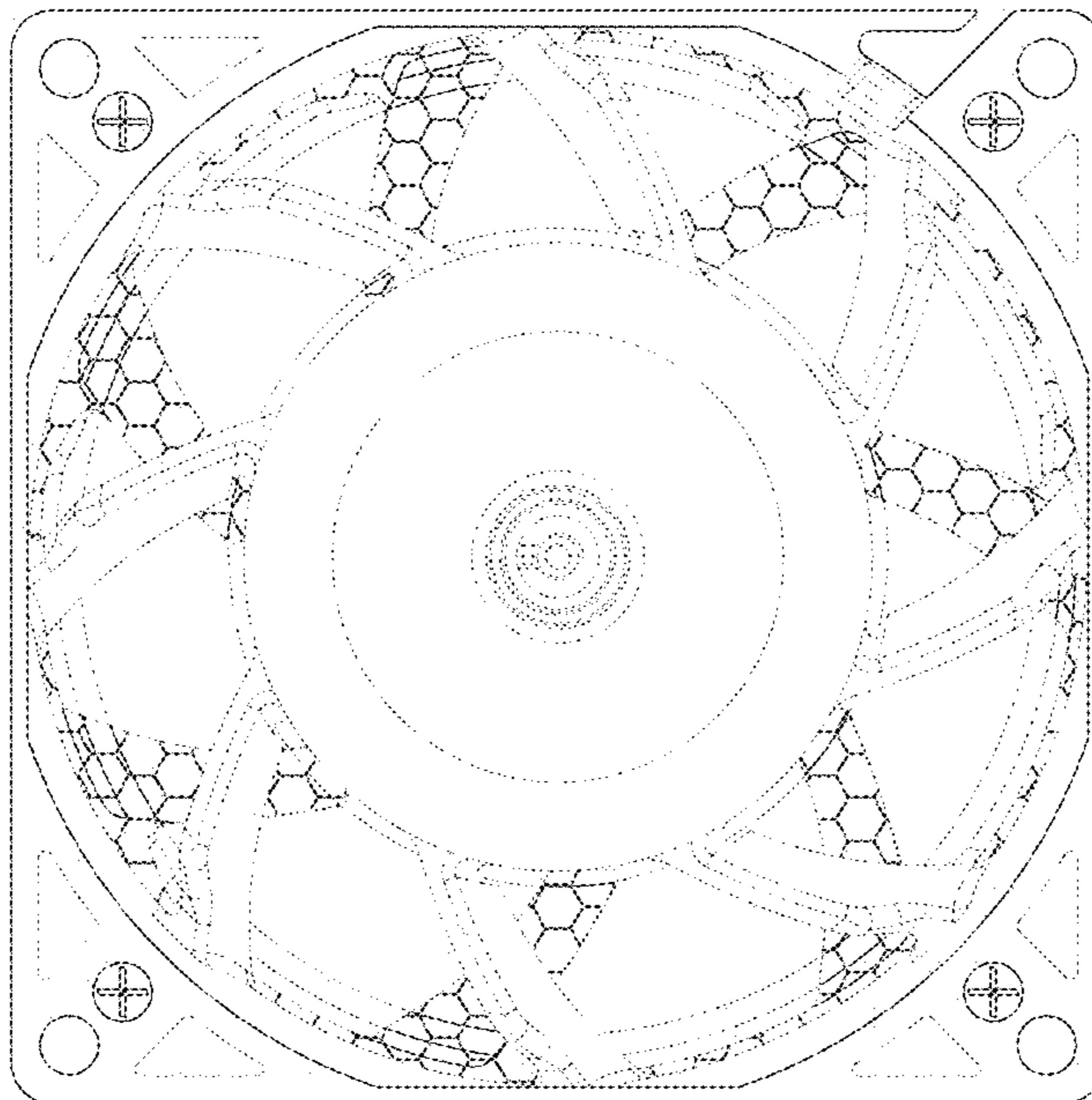


FIG. 23

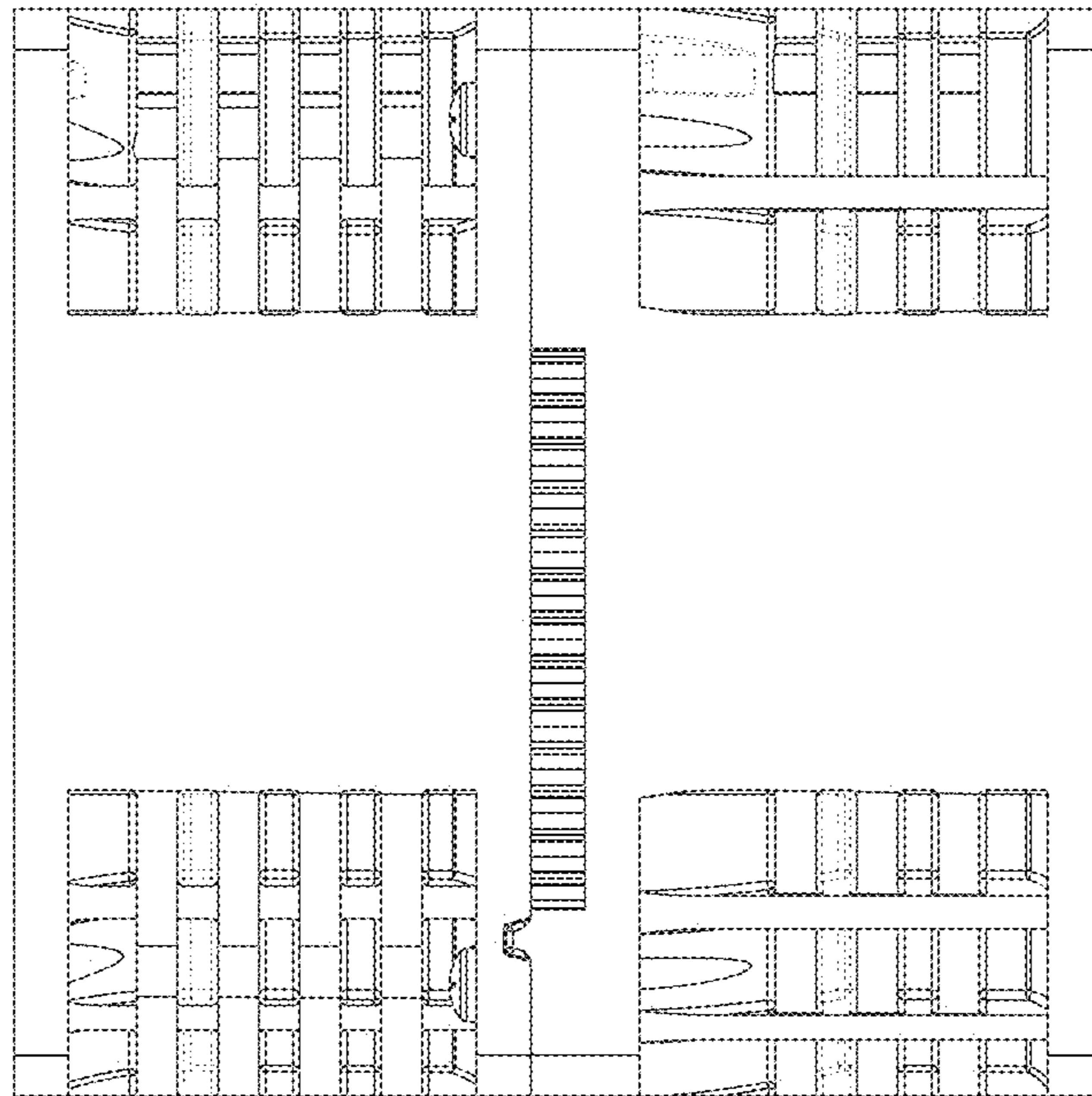


FIG. 24

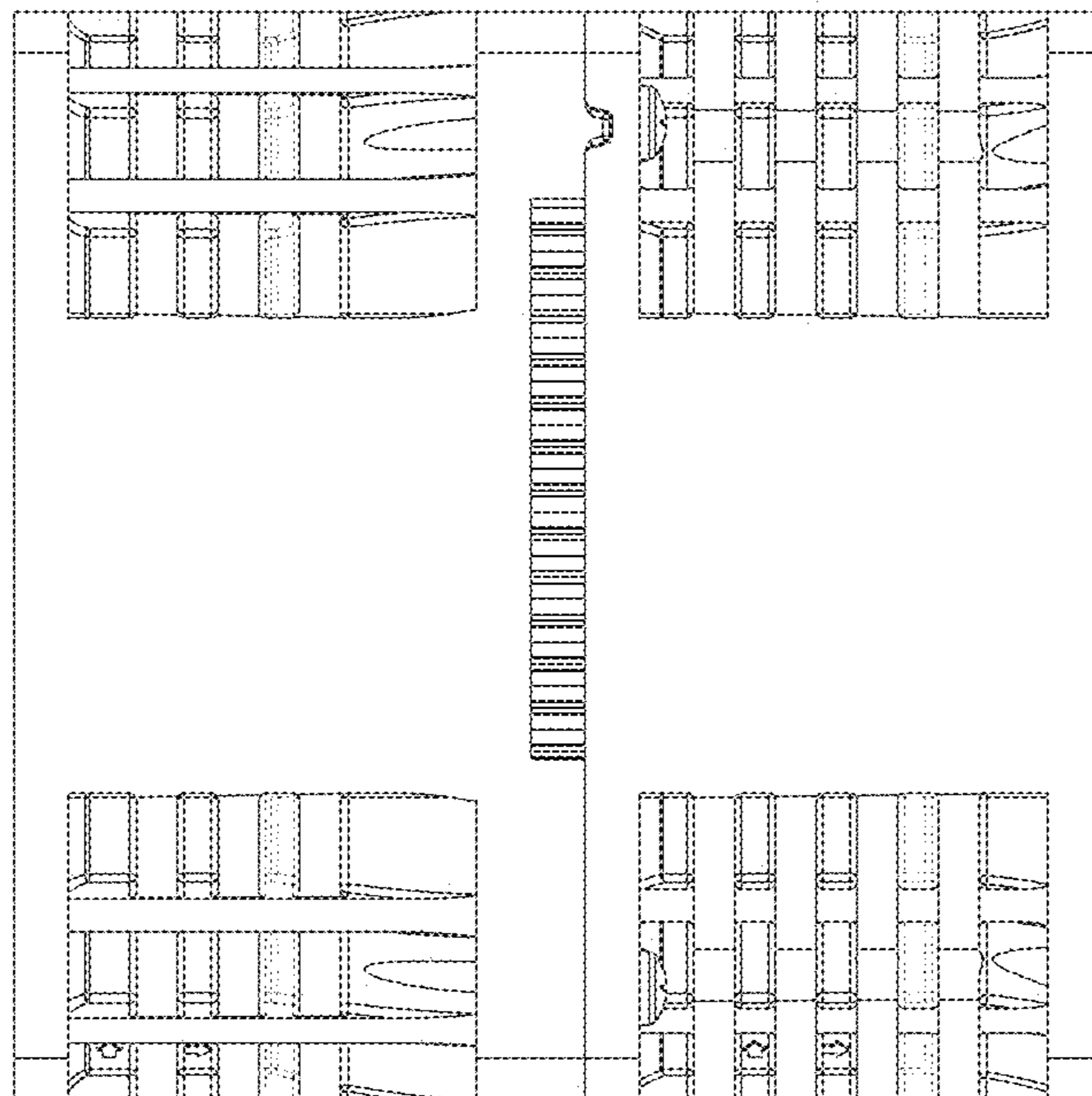


FIG. 25

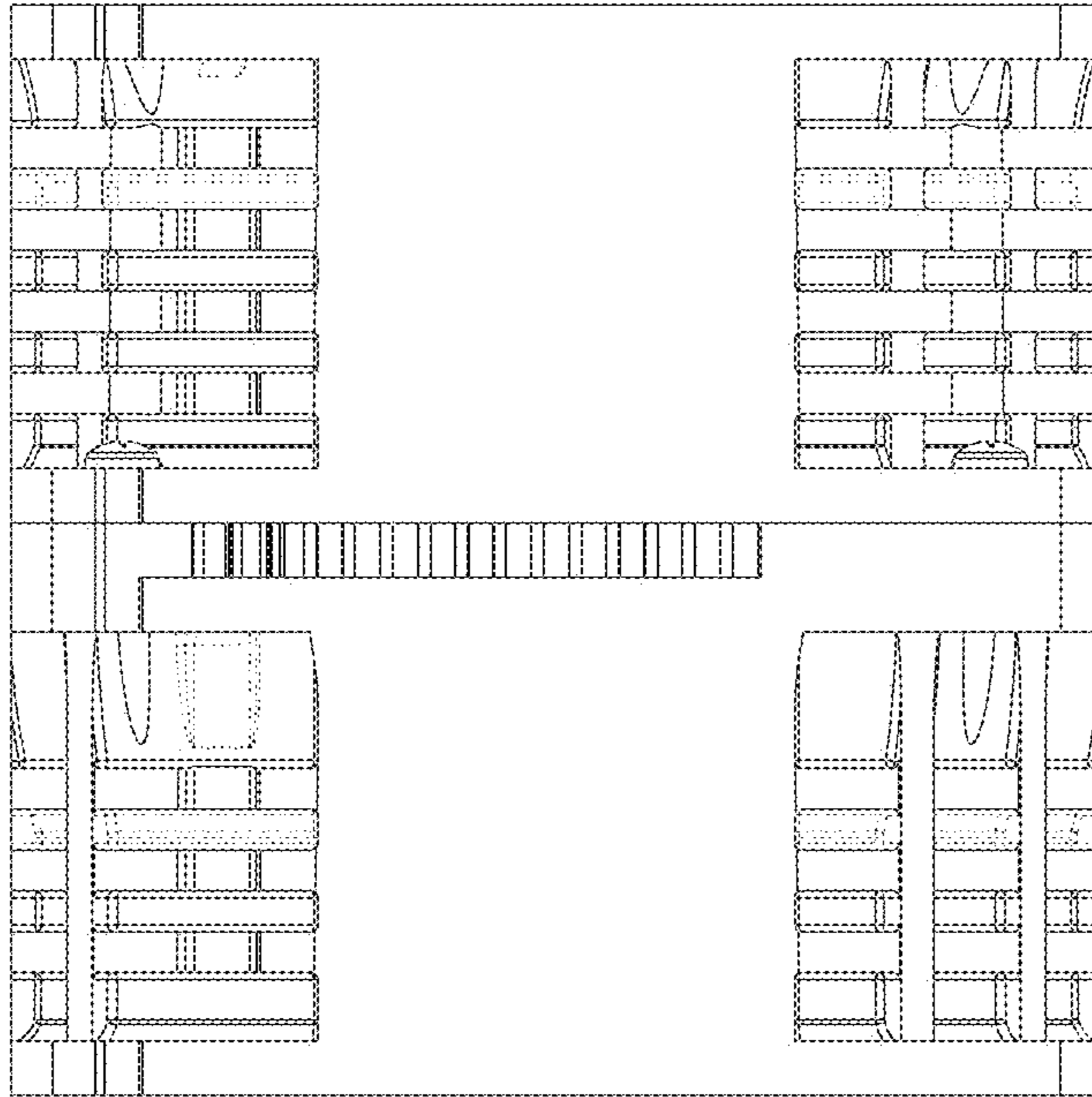


FIG. 26

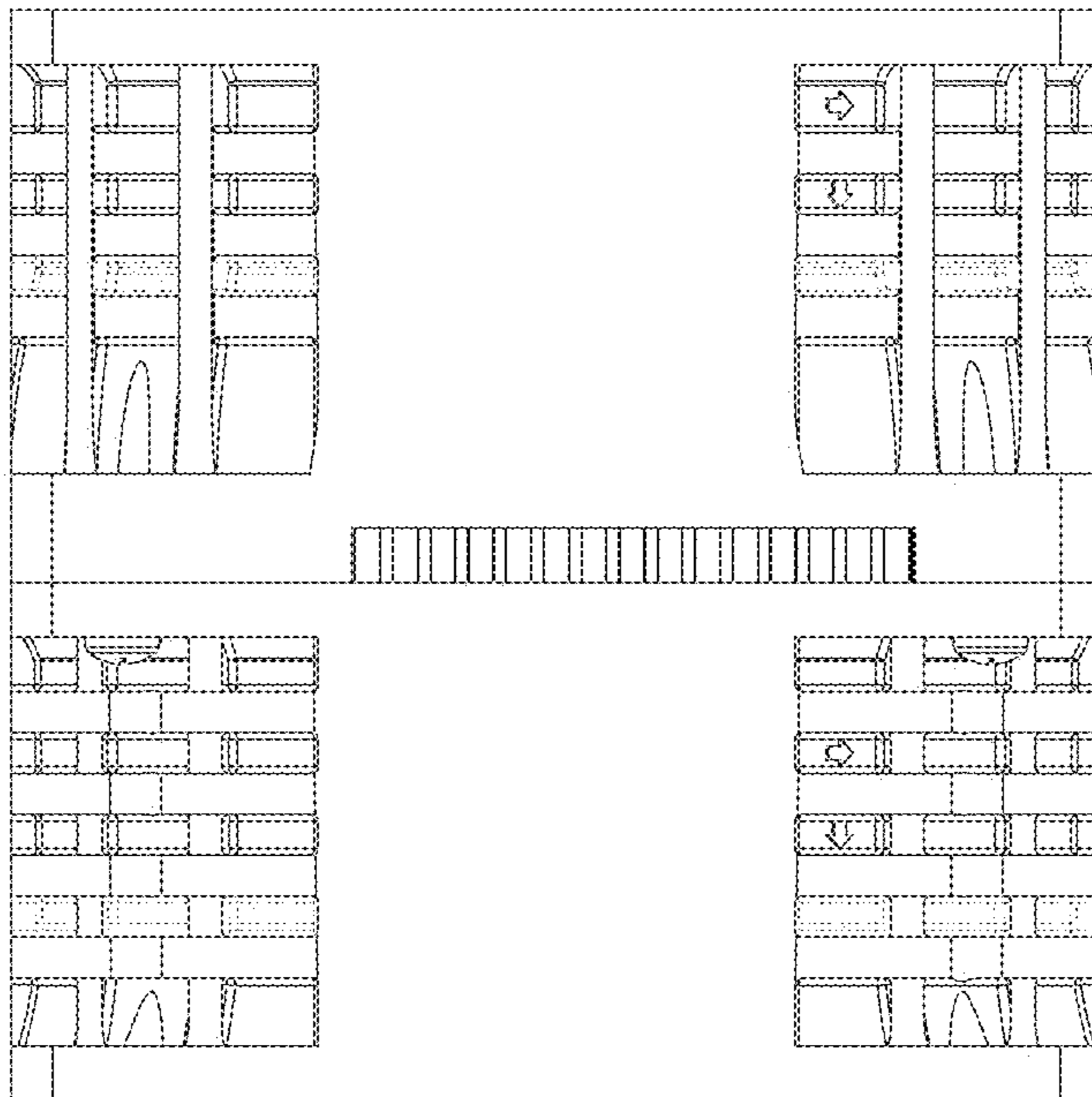


FIG. 27

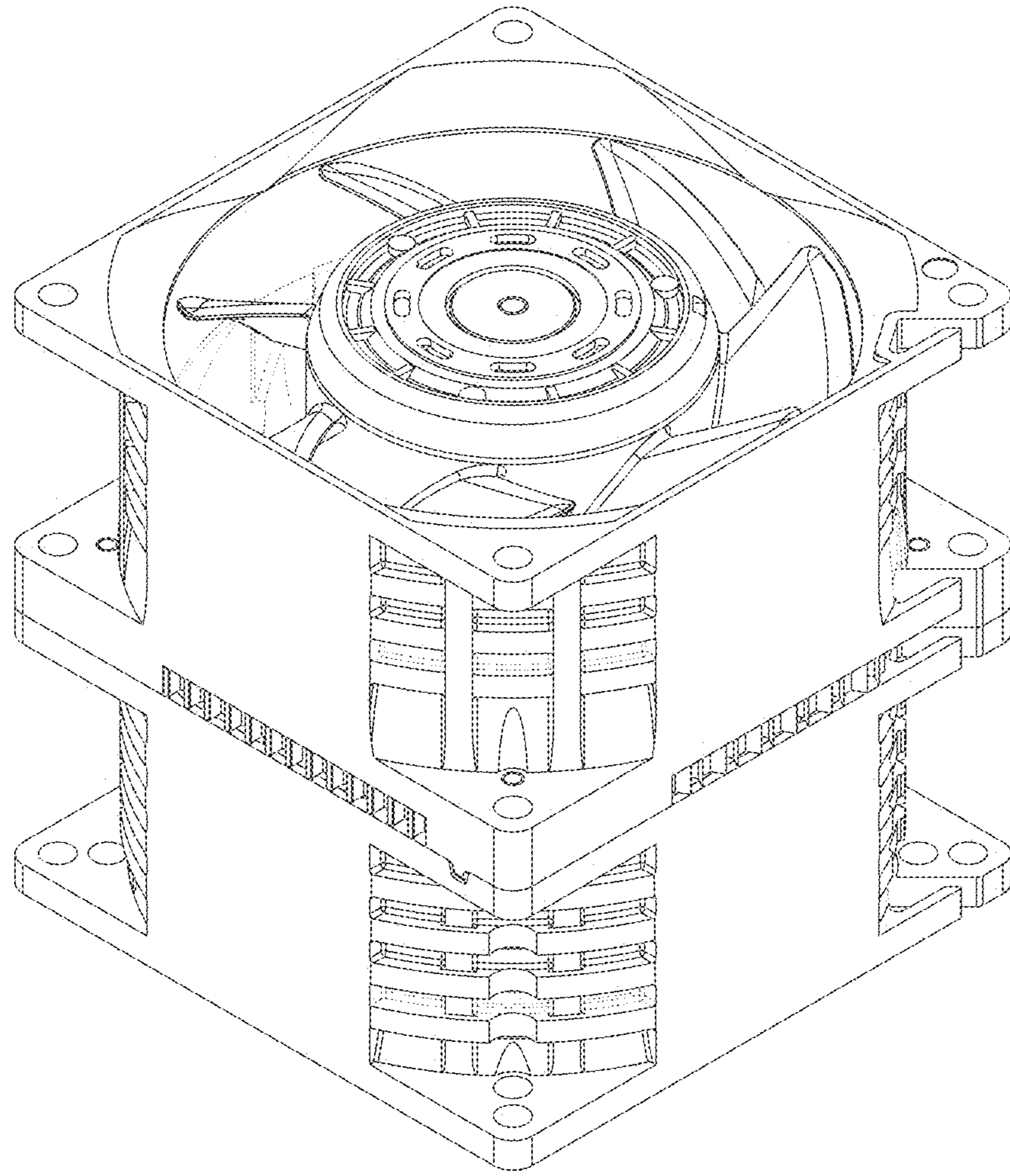


FIG. 28

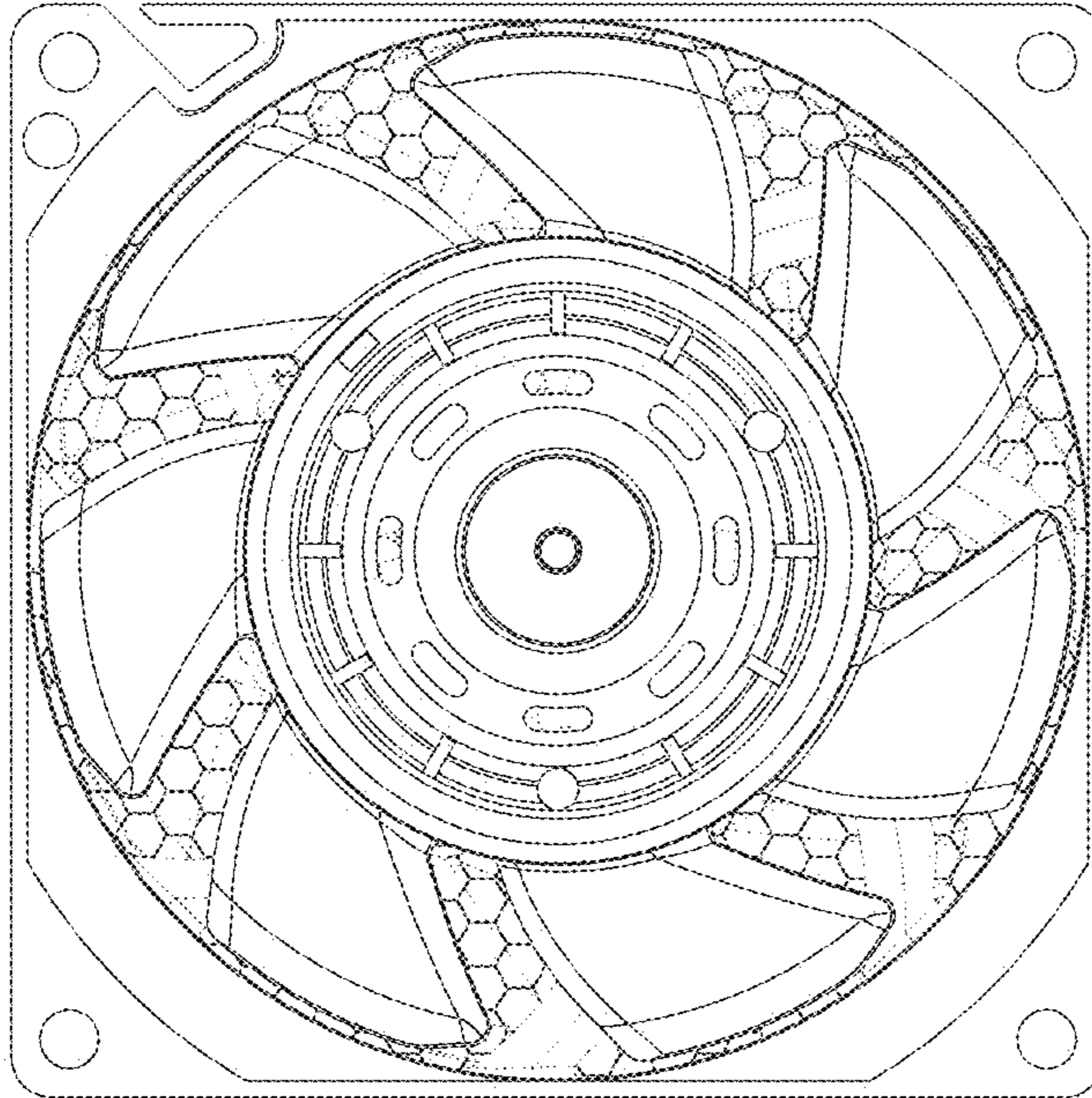


FIG. 29

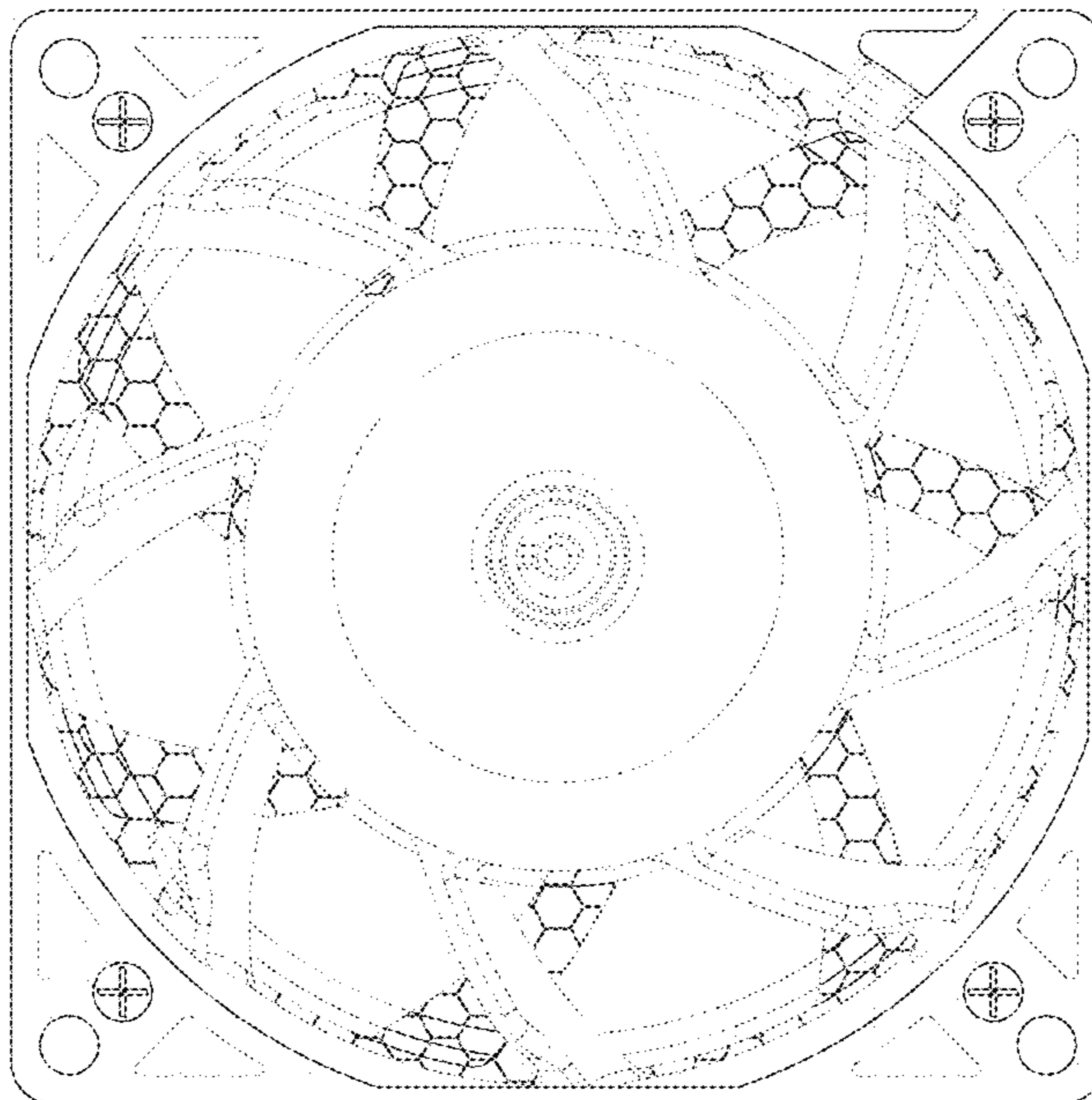


FIG. 30

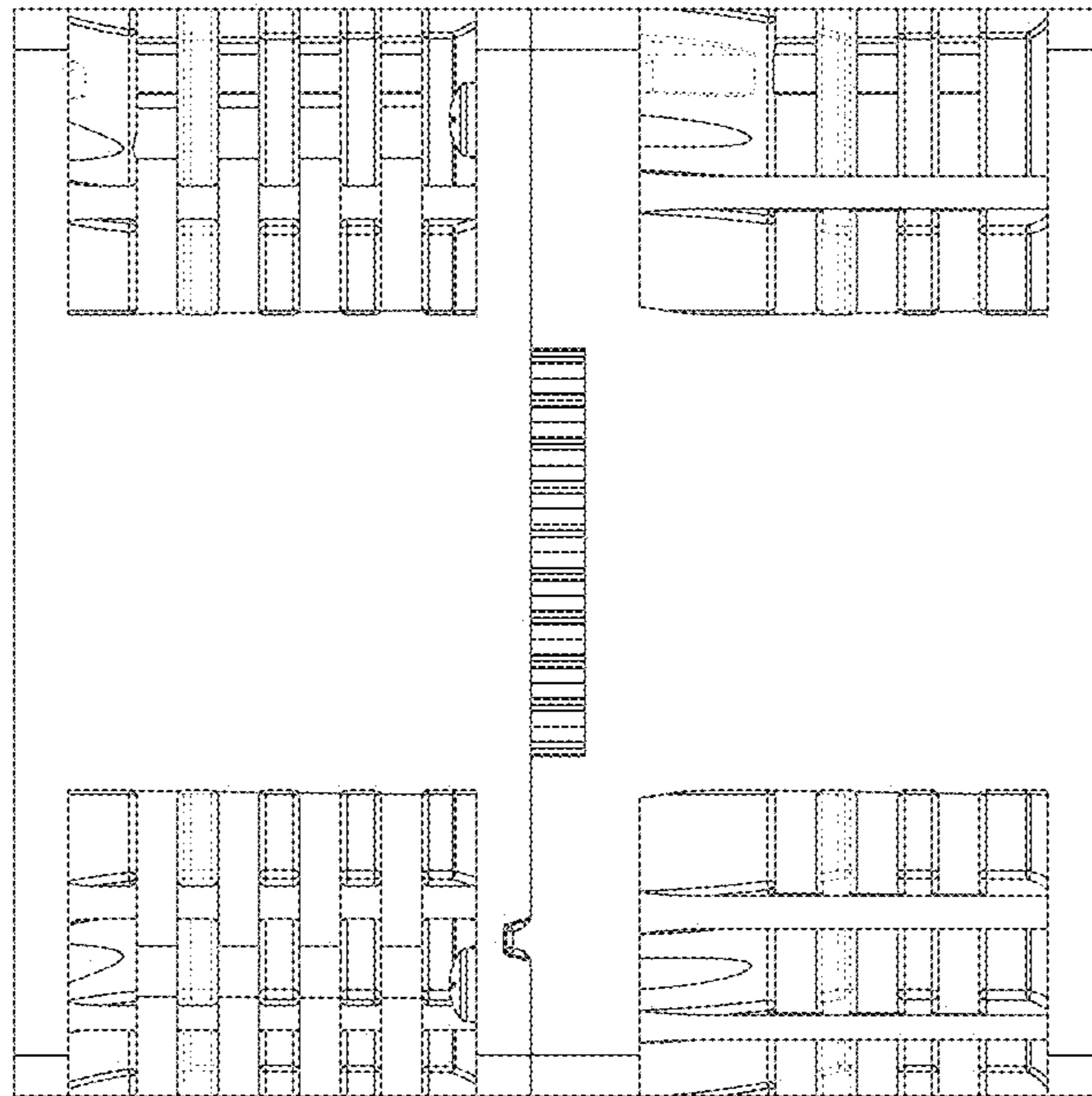


FIG. 31

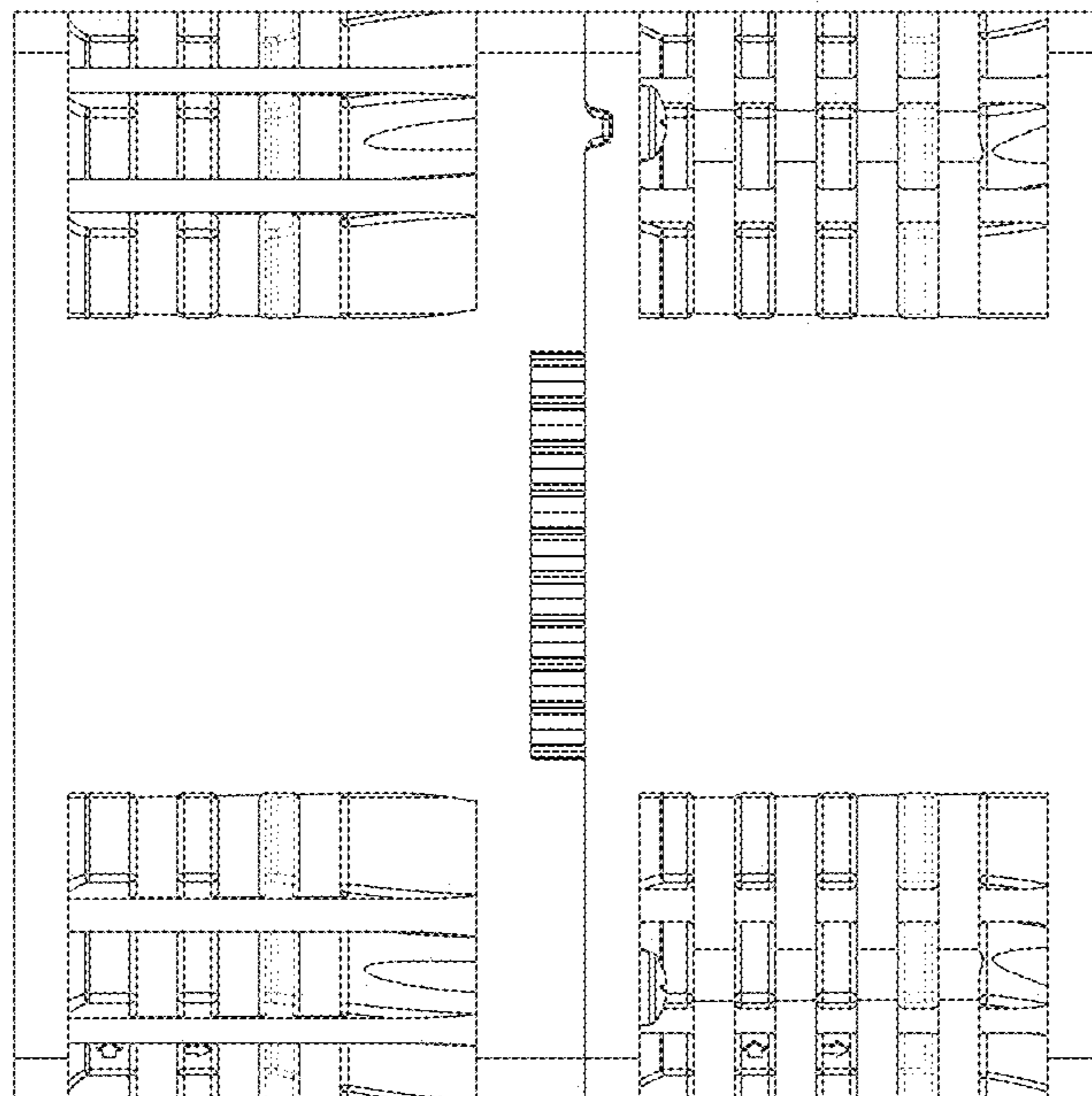


FIG. 32

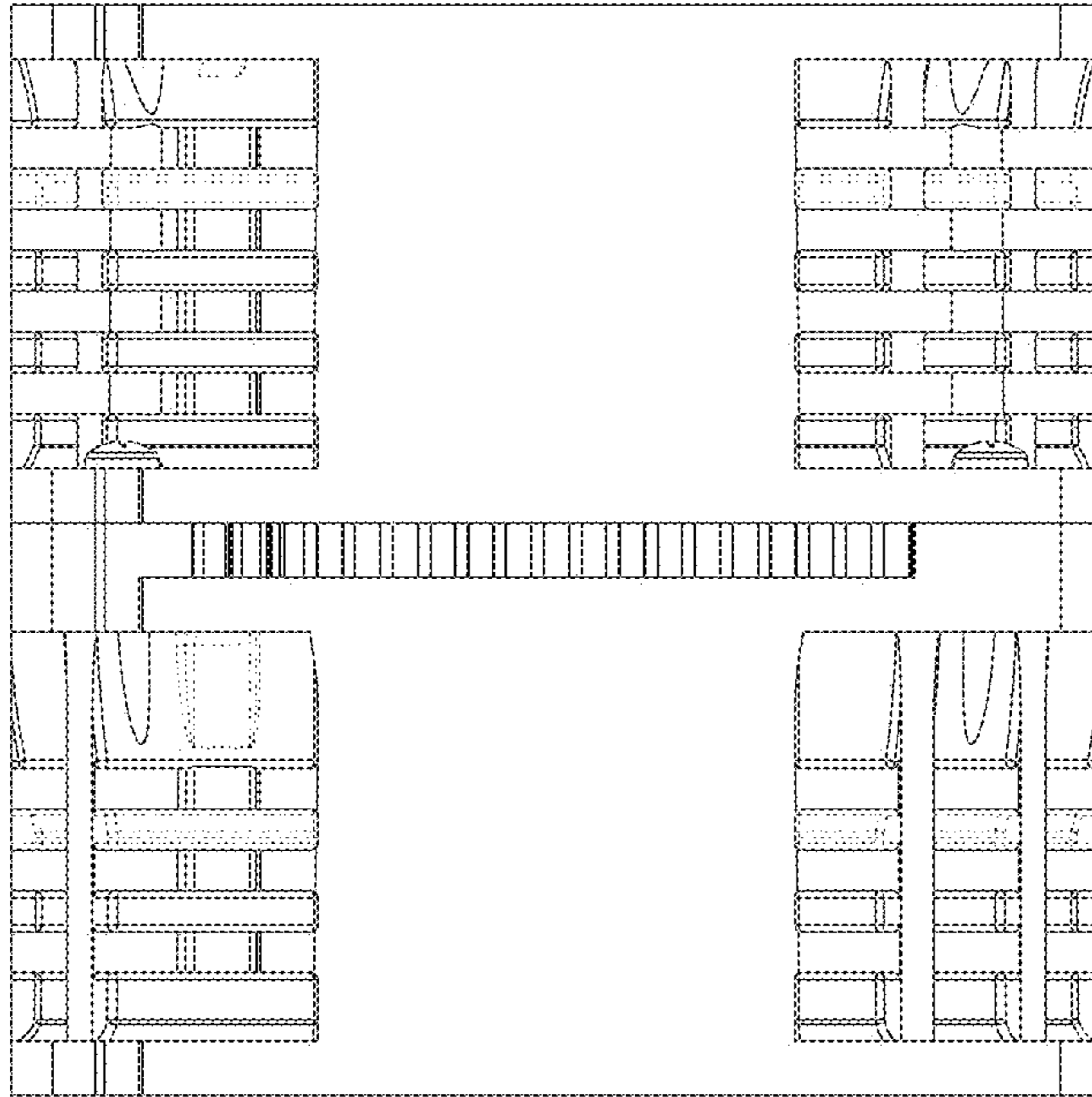


FIG. 33

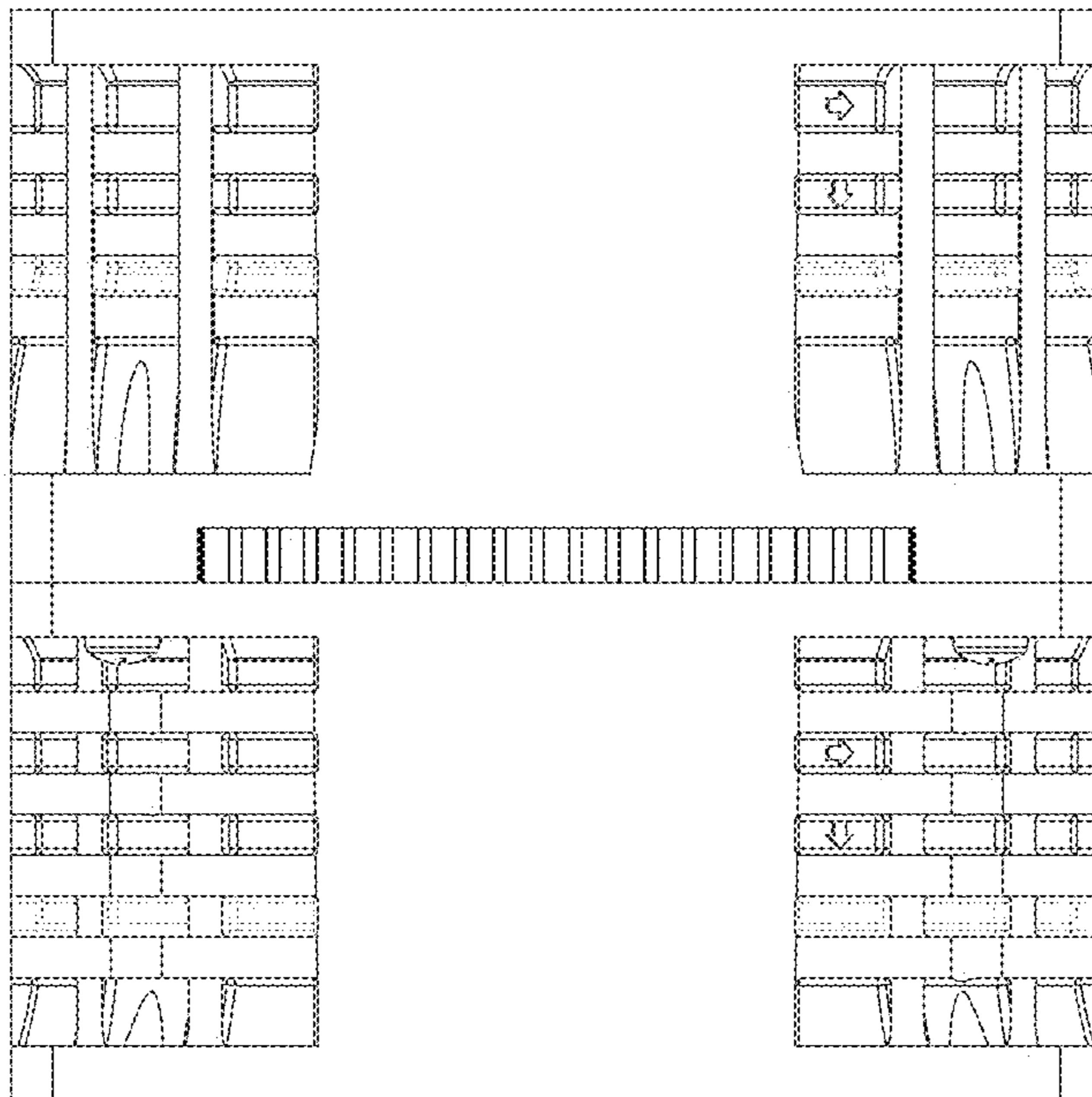


FIG. 34

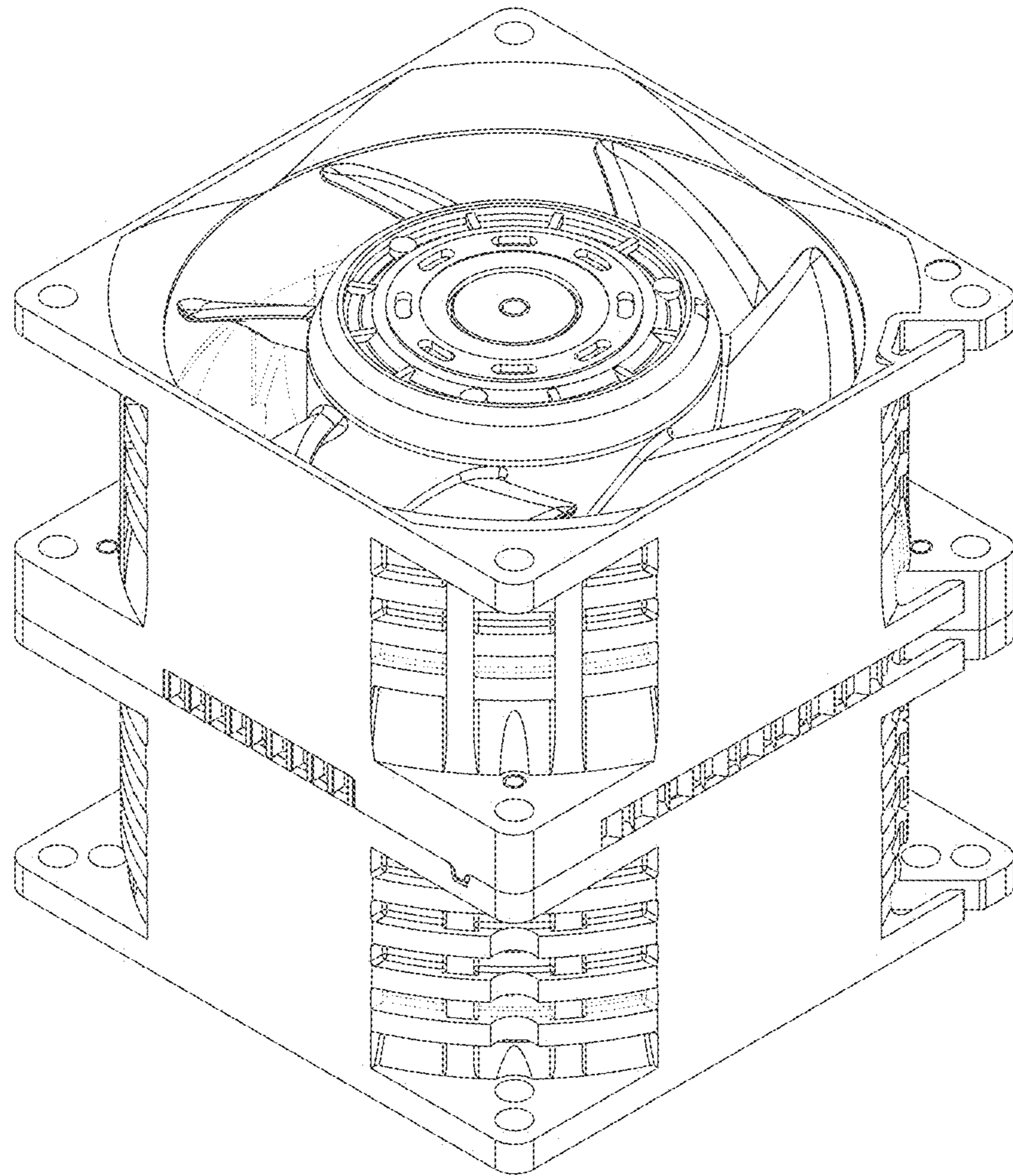


FIG. 35

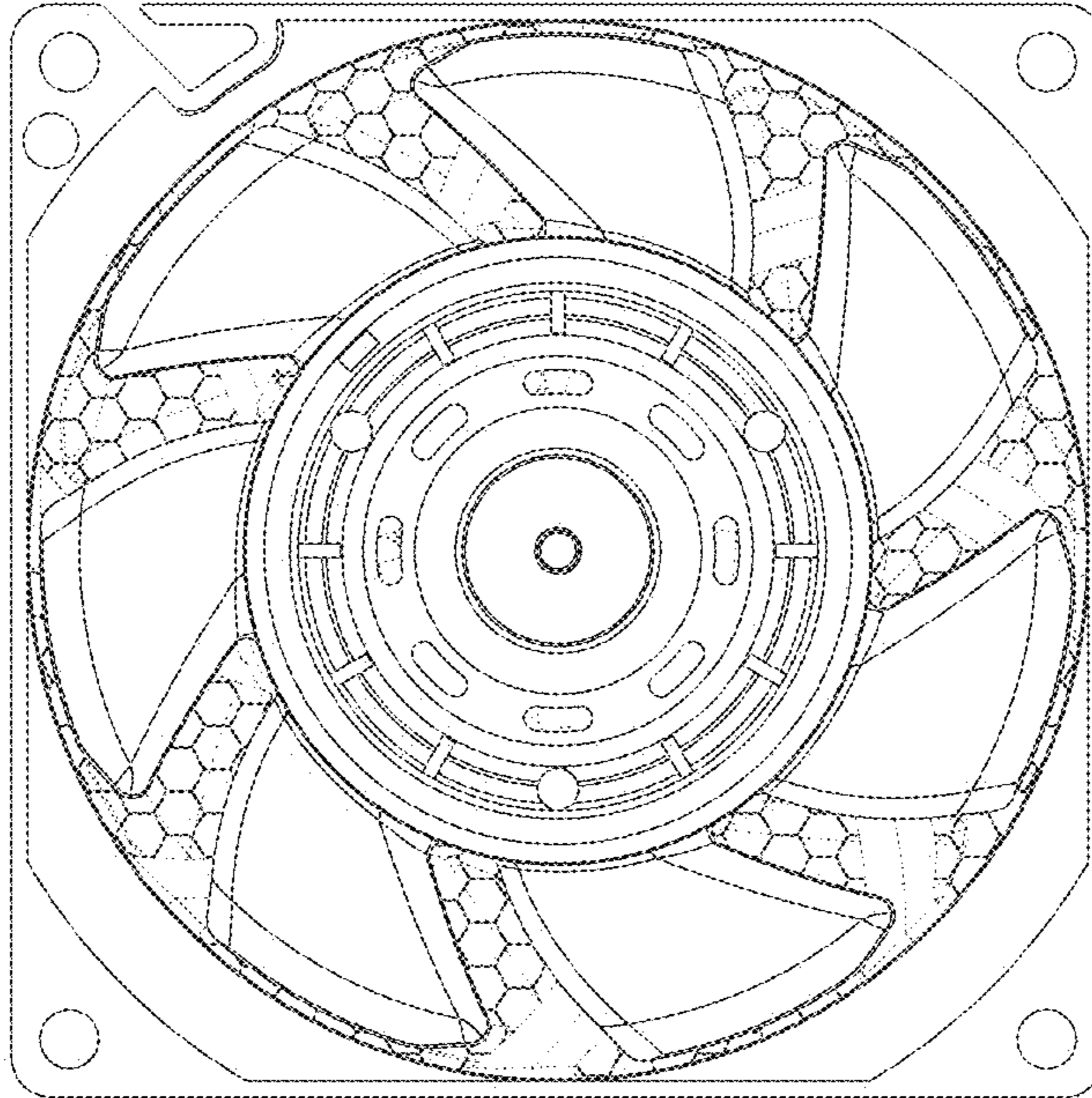


FIG. 36

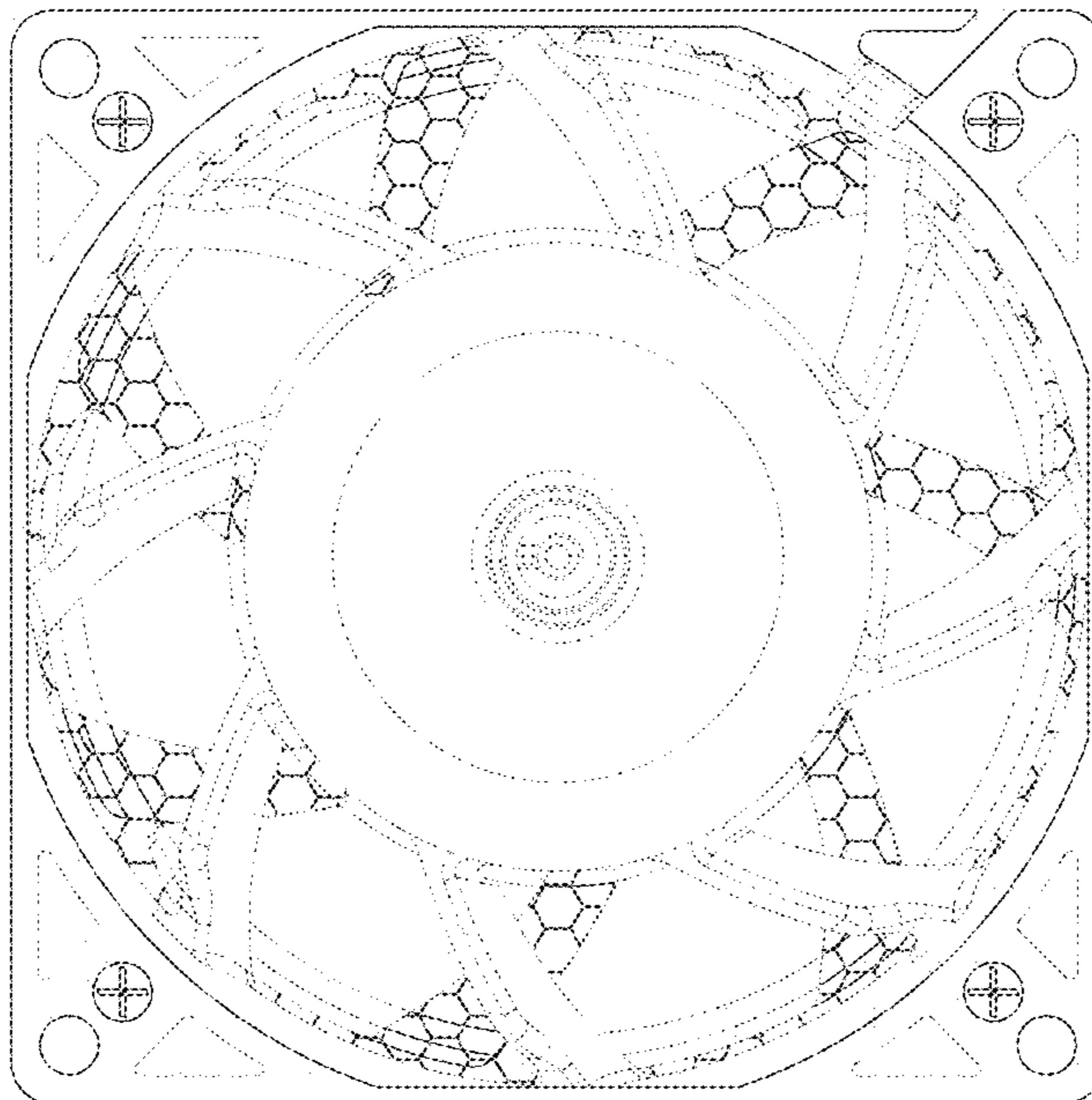


FIG. 37

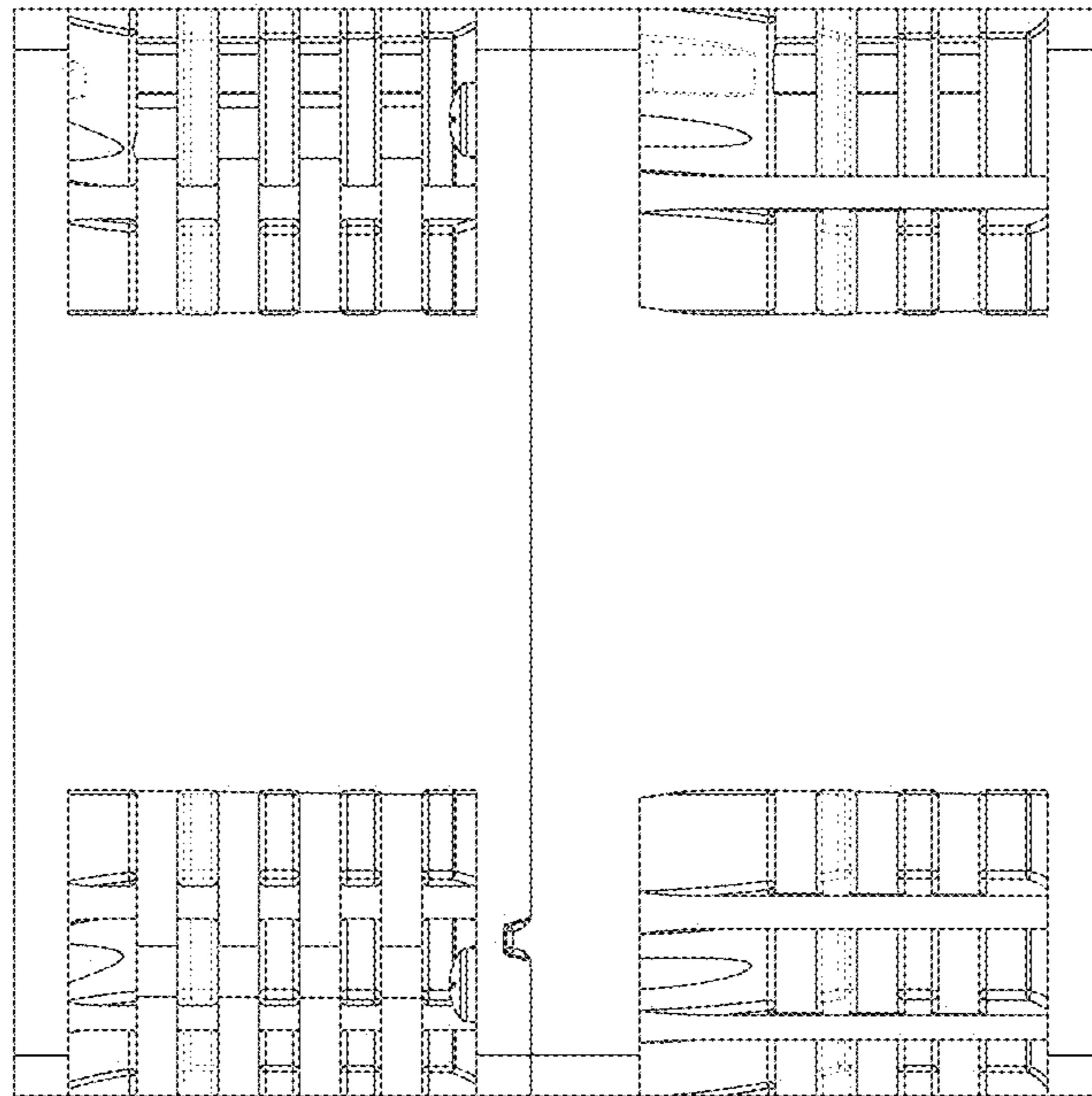


FIG. 38

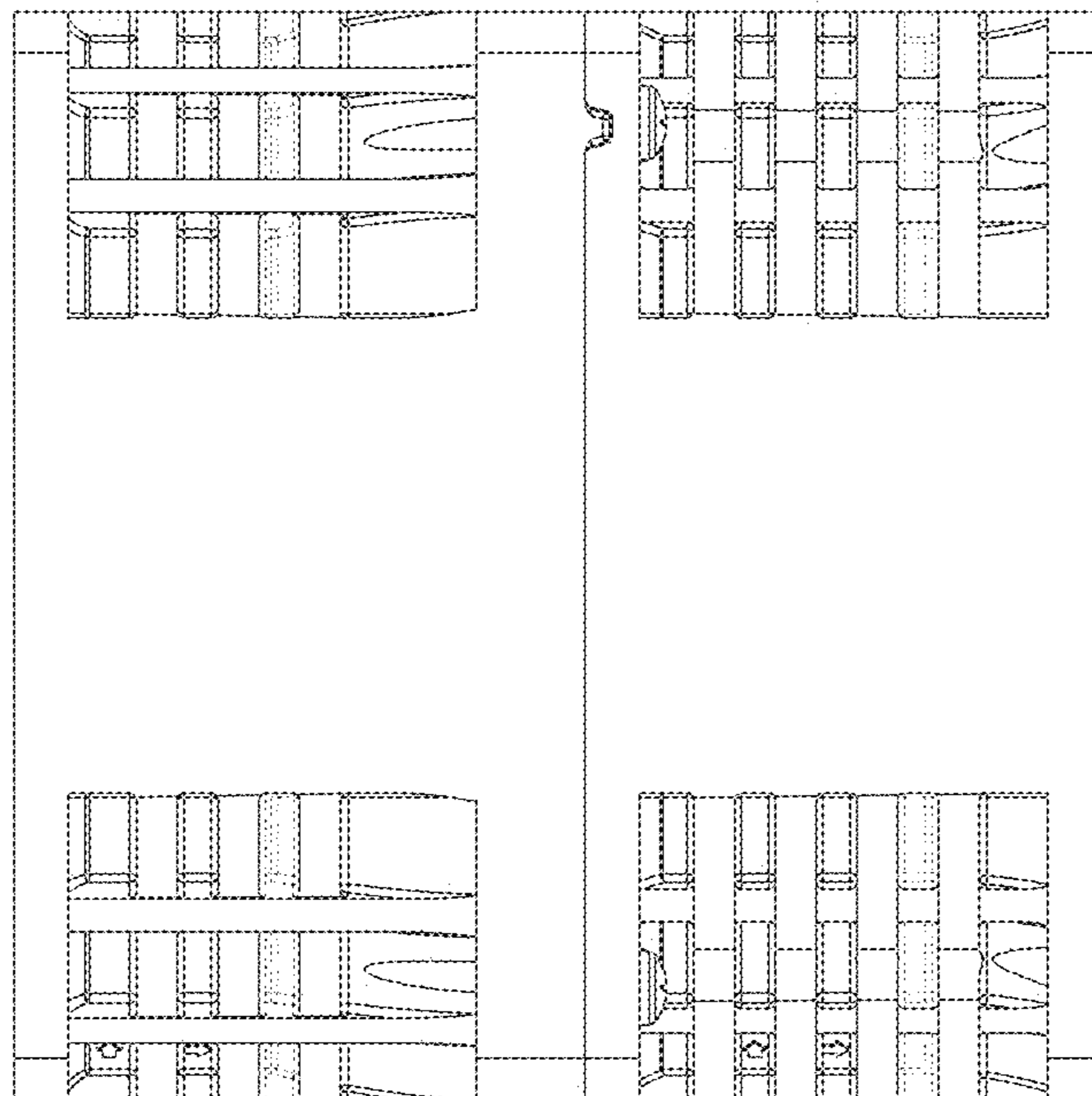


FIG. 39

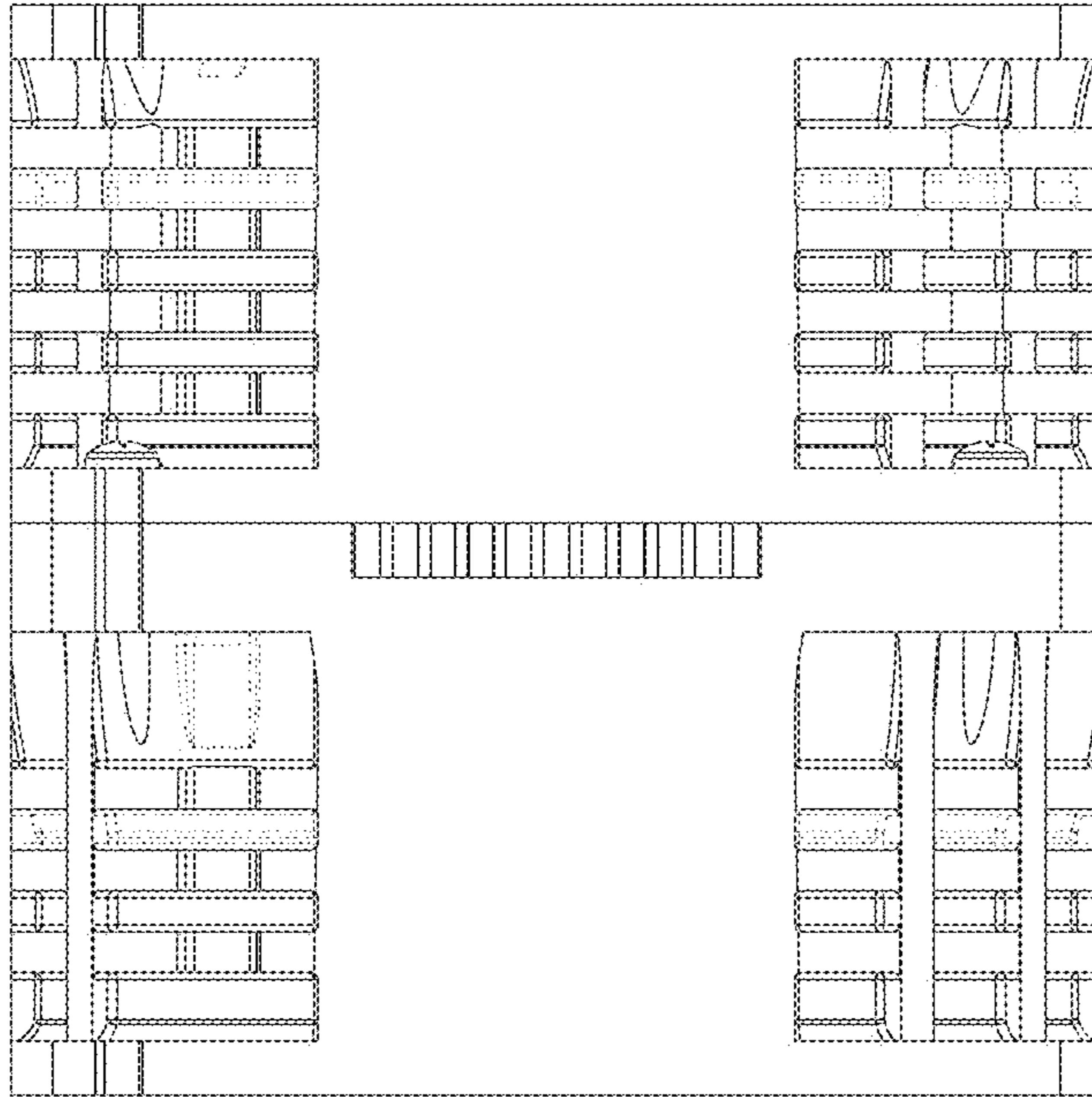


FIG. 40

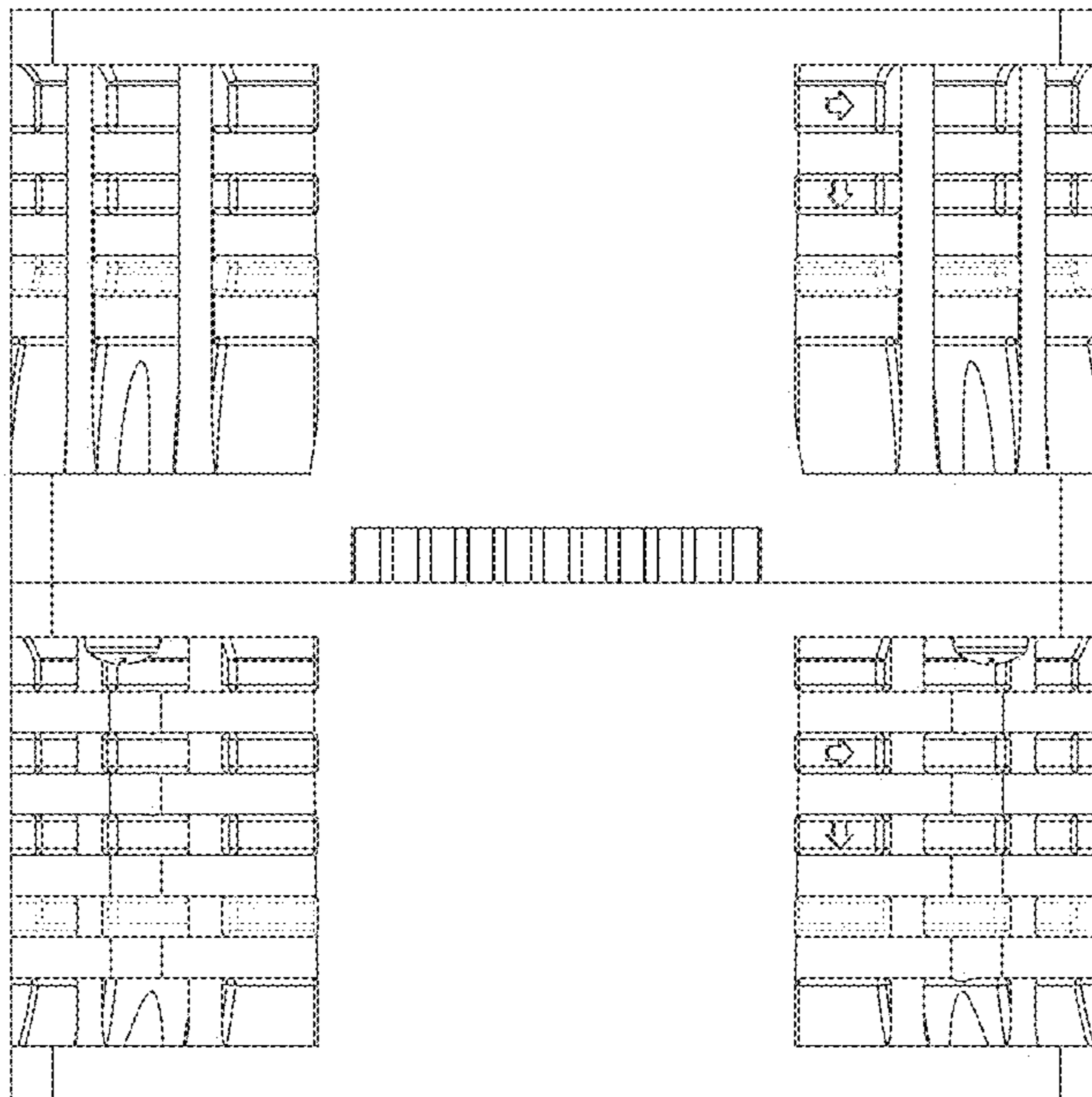


FIG. 41

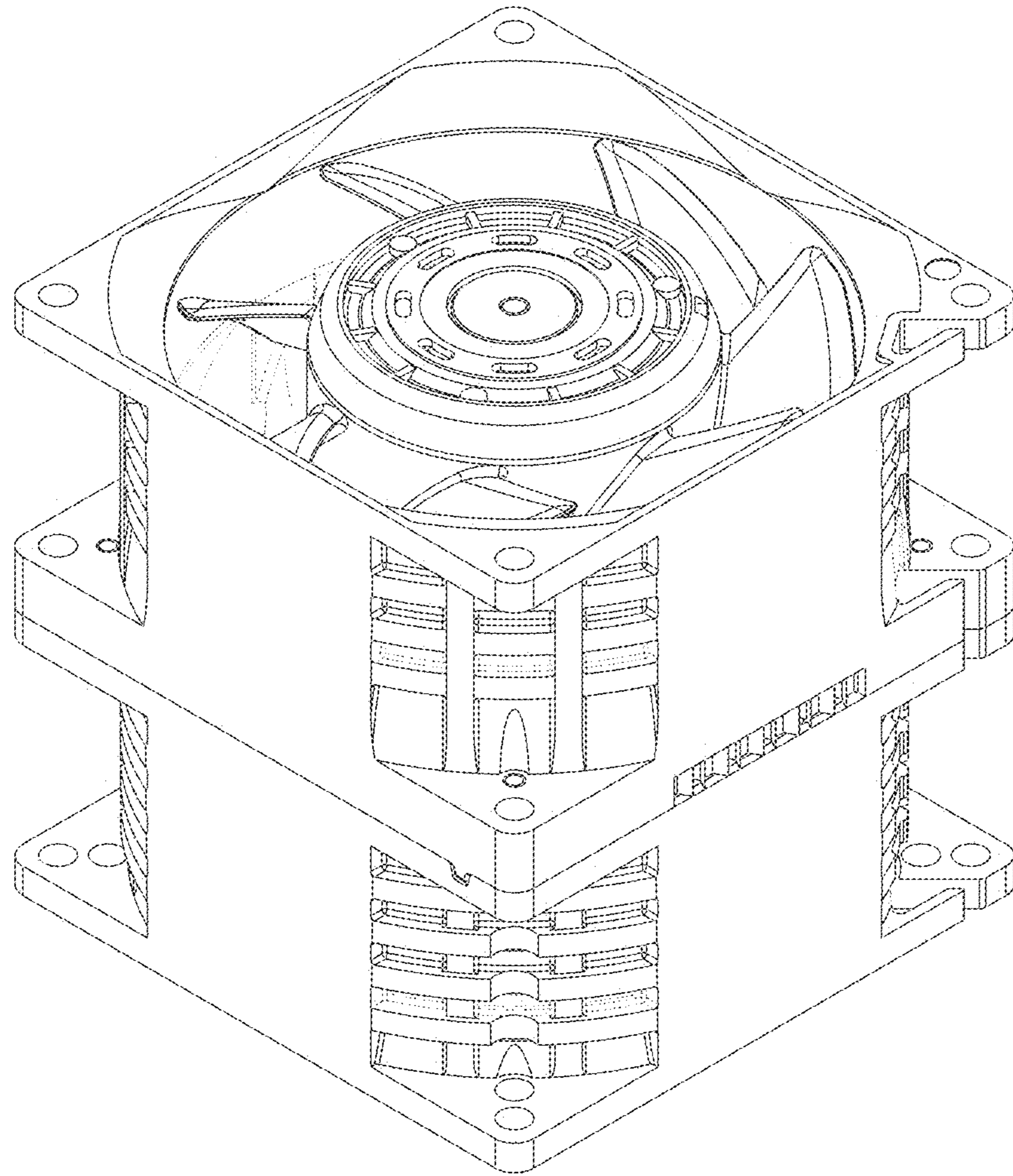


FIG. 42

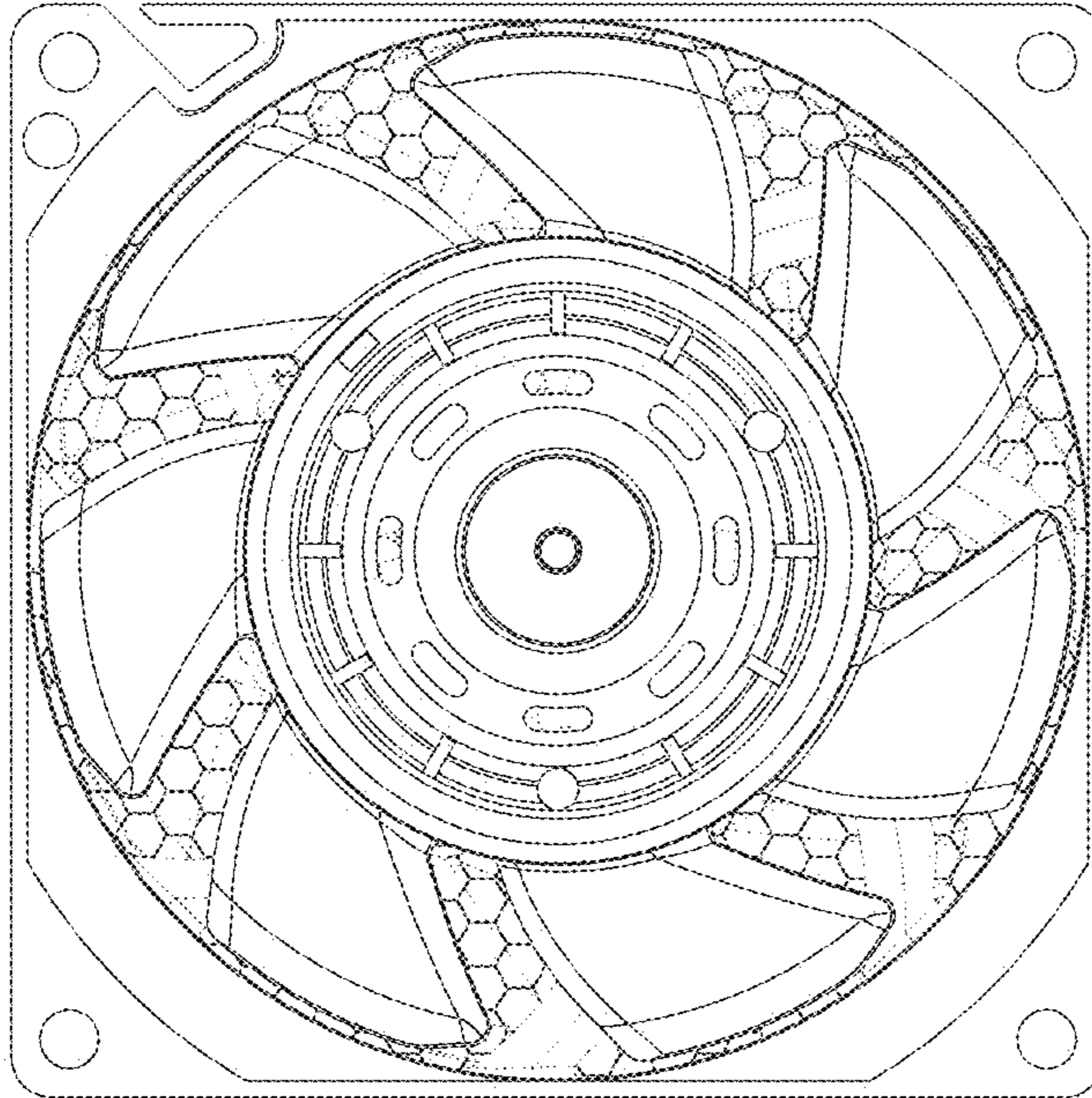


FIG. 43

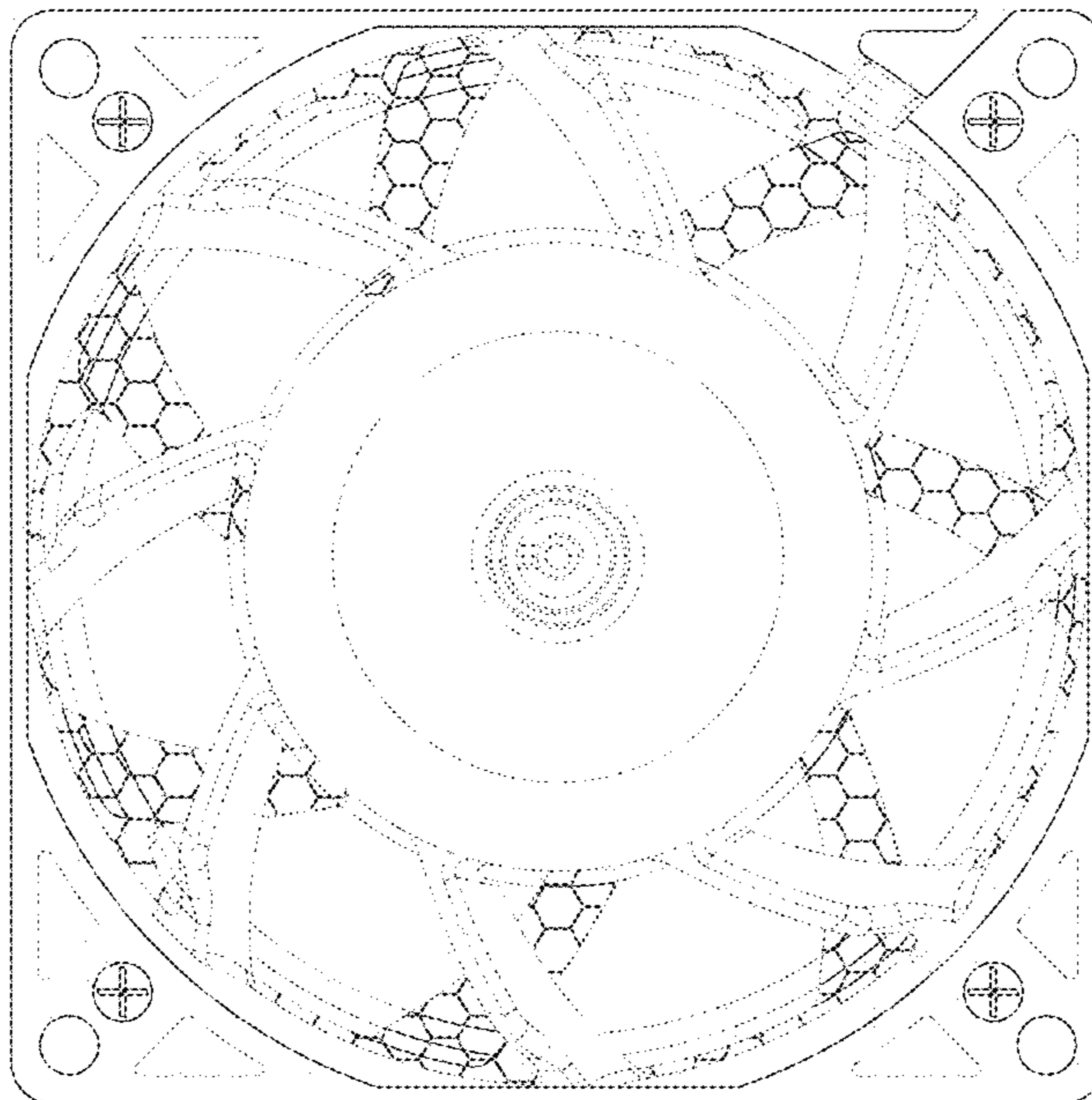


FIG. 44

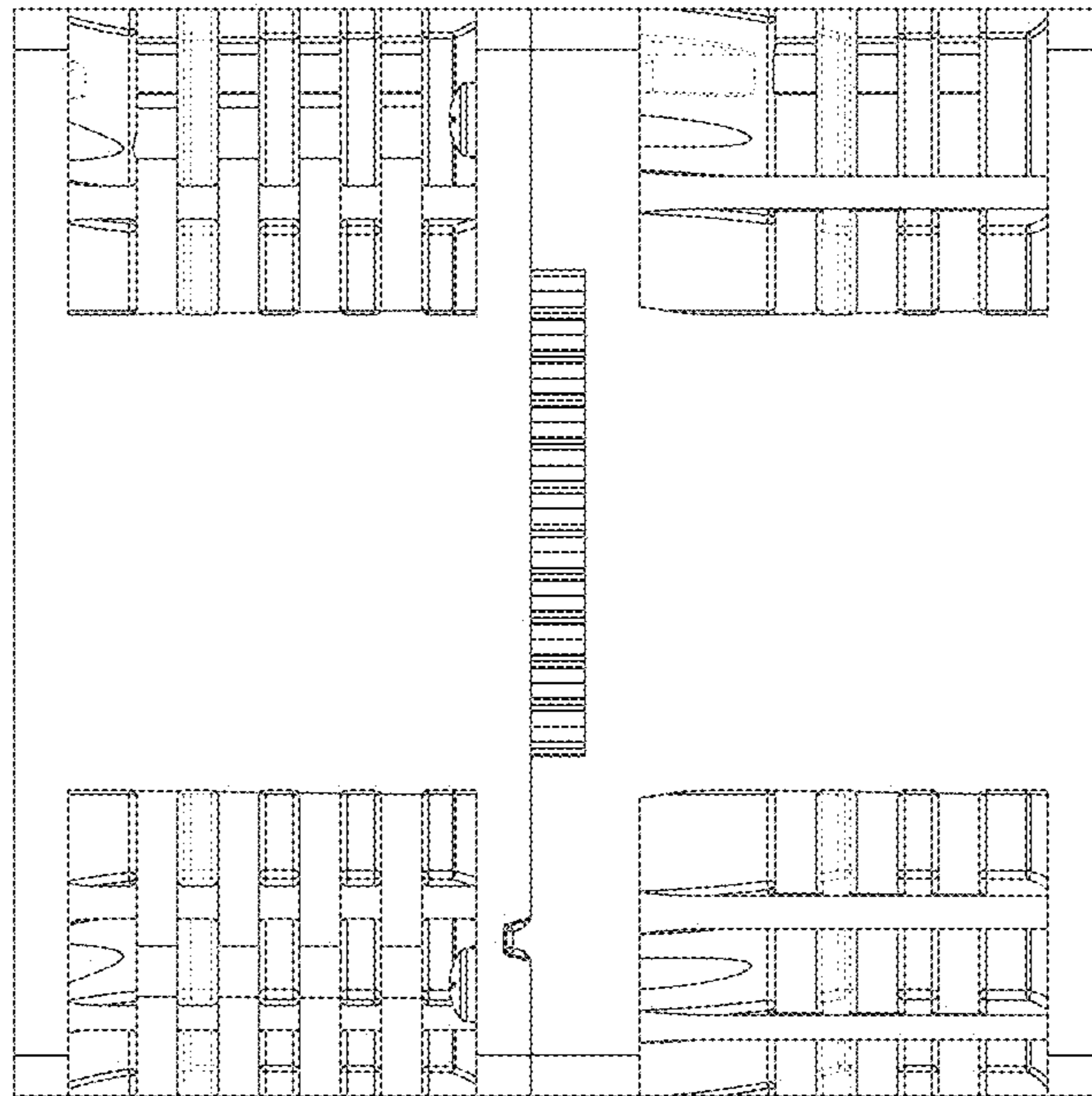


FIG. 45

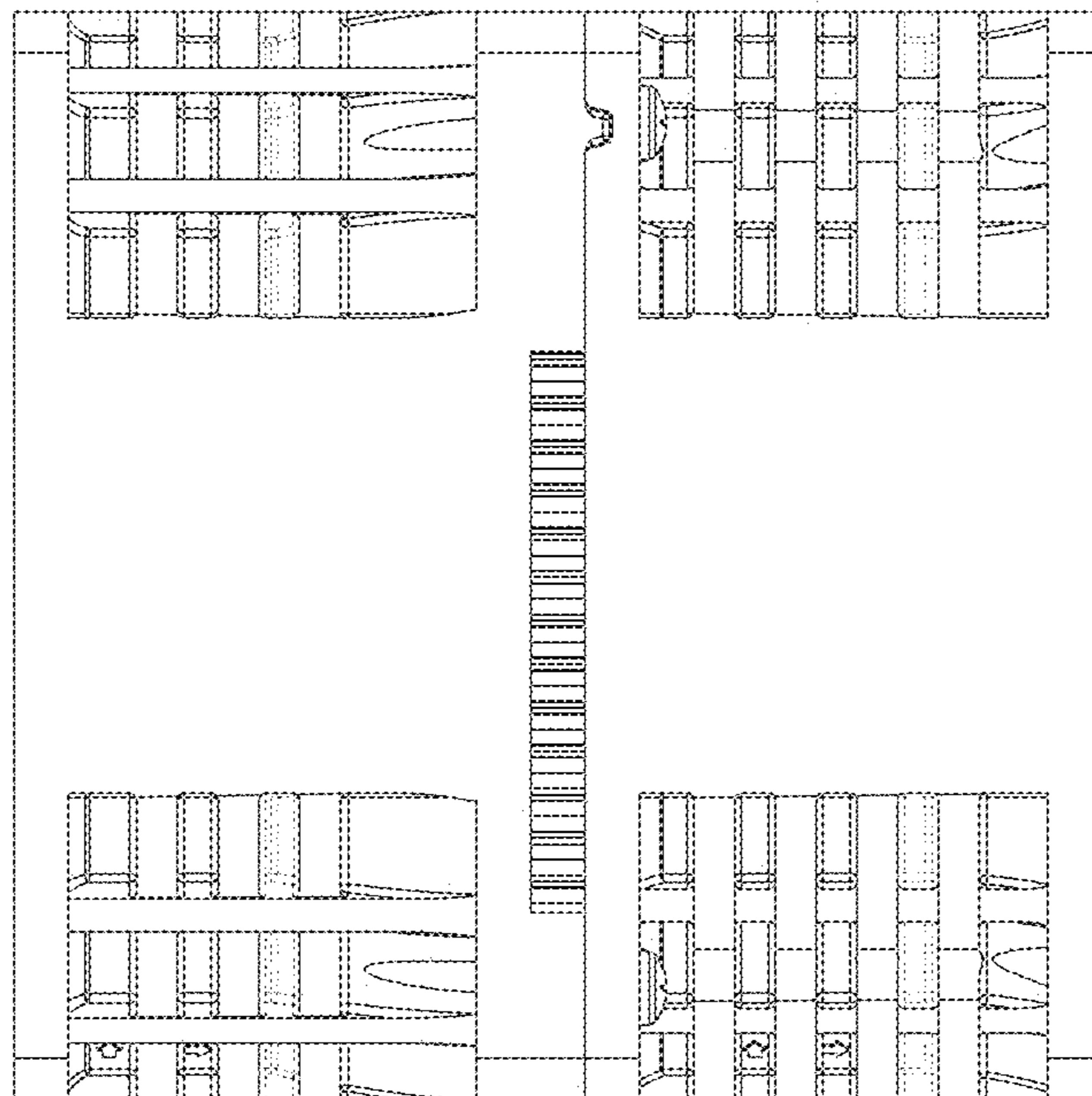


FIG. 46

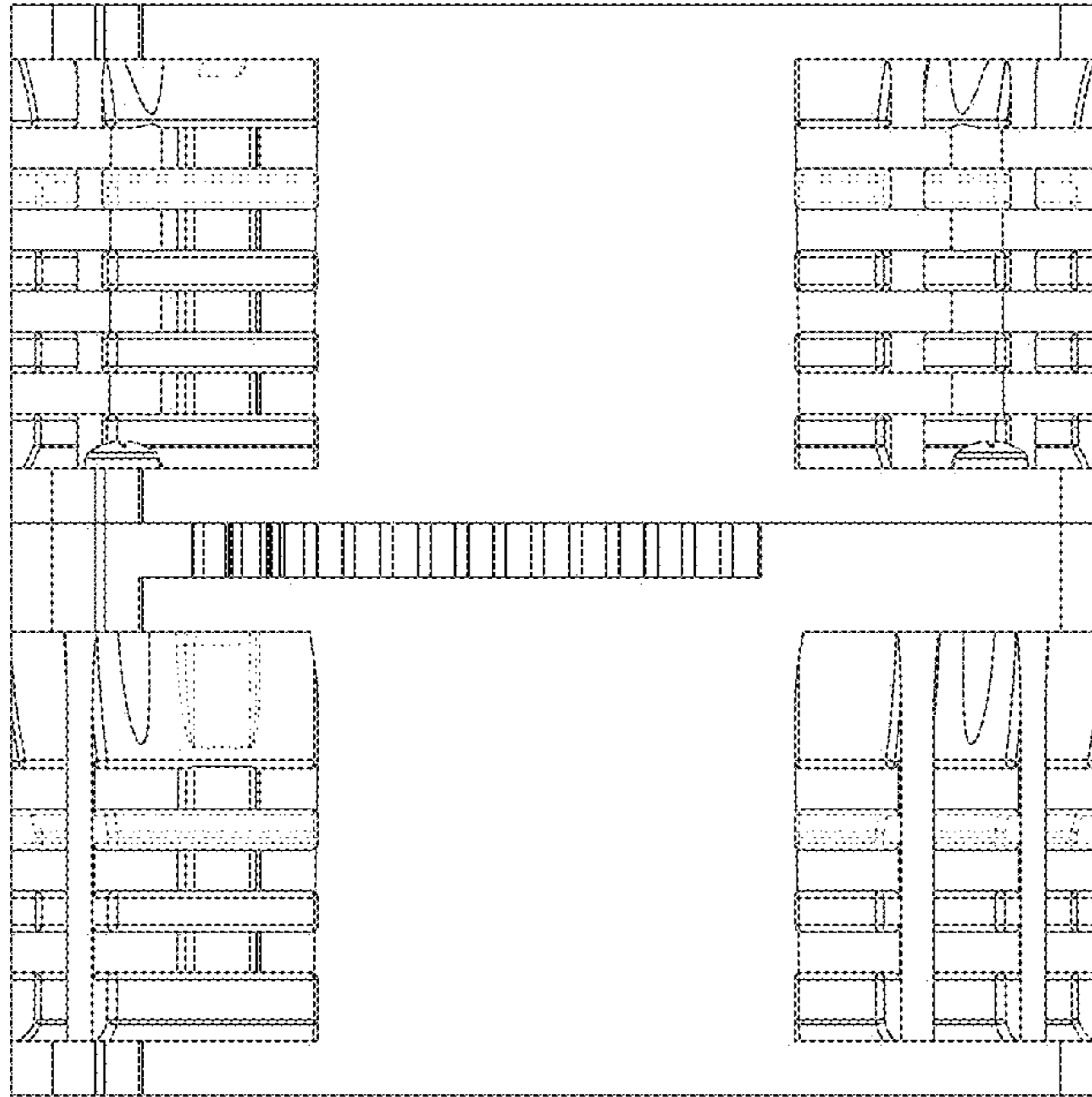


FIG. 47

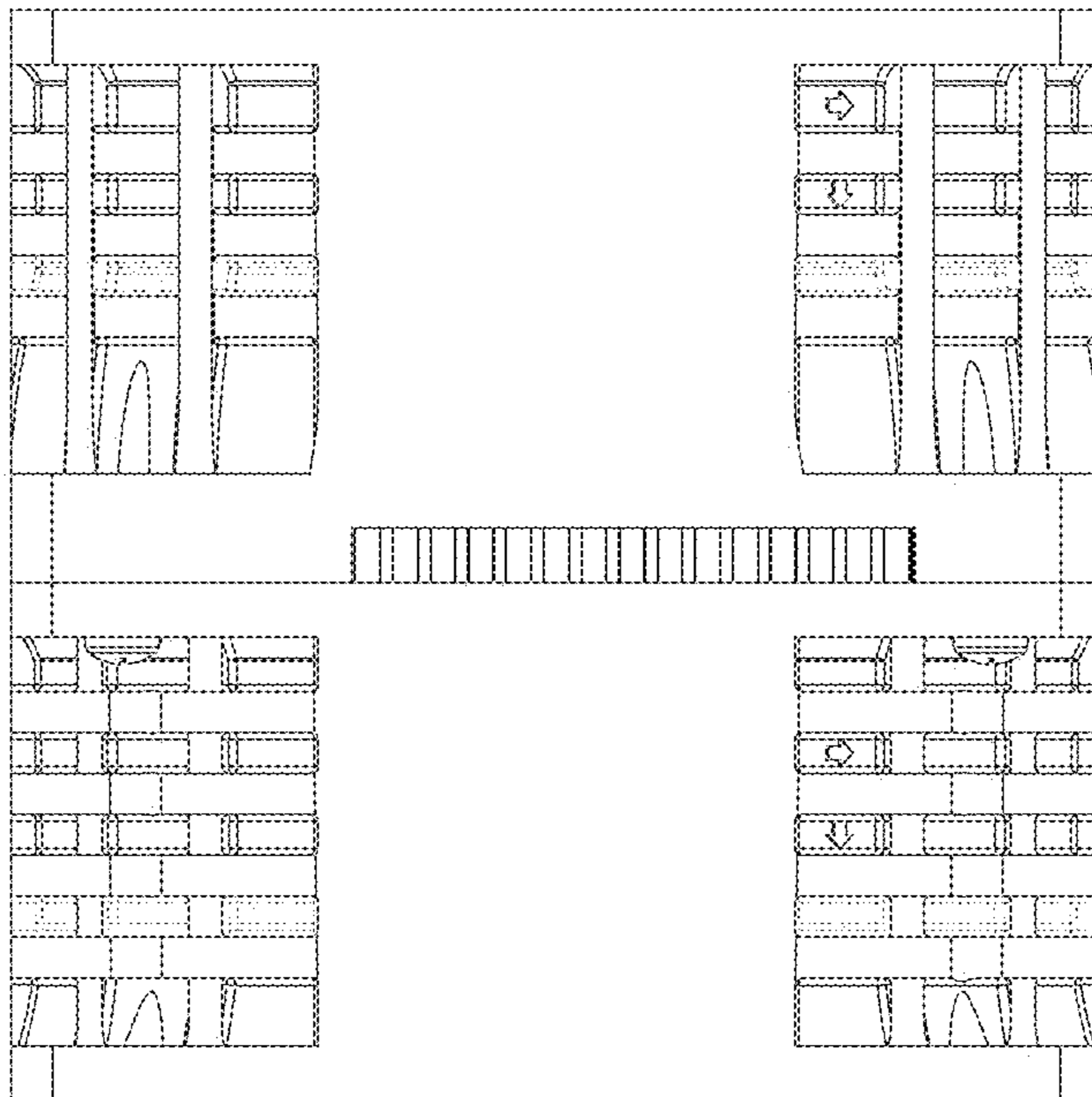


FIG. 48

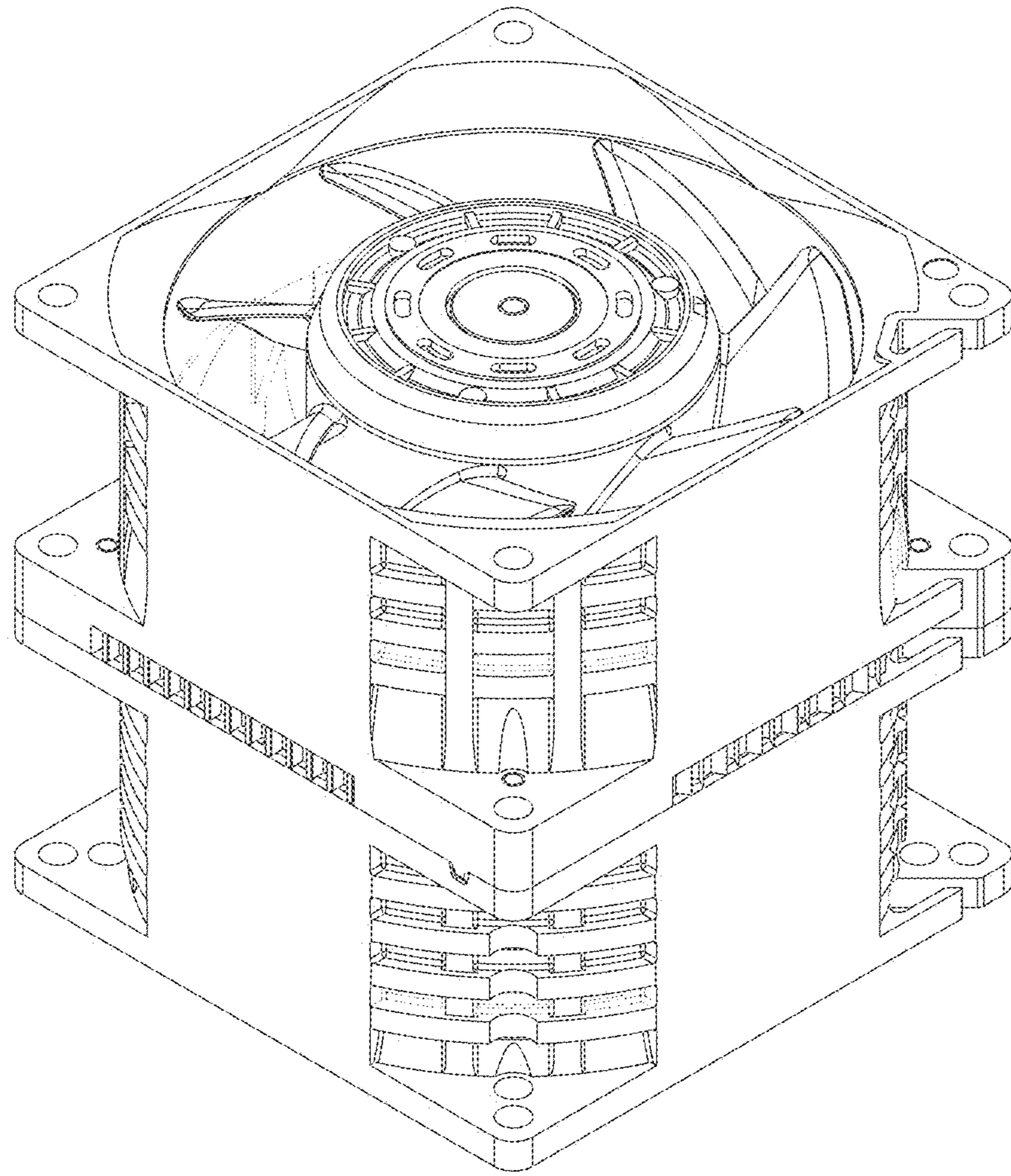


FIG. 49