



US00D938564S

(12) **United States Design Patent** (10) **Patent No.:** **US D938,564 S**  
**Martinez** (45) **Date of Patent:** **\*\* Dec. 14, 2021**

(54) **PORTABLE TOILET COVER**  
(71) Applicant: **Luis Martinez**, Vallejo, CA (US)  
(72) Inventor: **Luis Martinez**, Vallejo, CA (US)  
(\*\*) Term: **15 Years**  
(21) Appl. No.: **29/732,505**  
(22) Filed: **Apr. 24, 2020**  
(51) **LOC (13) Cl.** ..... **23-01**  
(52) **U.S. Cl.**  
USPC ..... **D23/311**  
(58) **Field of Classification Search**  
USPC ..... D23/308, 311  
CPC ..... A47K 13/00  
See application file for complete search history.

(56) **References Cited**  
**U.S. PATENT DOCUMENTS**  
D503,466 S \* 3/2005 Davis ..... D23/311  
D508,283 S \* 8/2005 Sutopo ..... D23/311  
D570,972 S \* 6/2008 Thalmann Gomez ..... D23/311  
D597,638 S \* 8/2009 Lebrun ..... D23/304  
D706,109 S \* 6/2014 McGarrity ..... A47K 13/10  
D8/307  
10,206,543 B2 2/2019 Ellinghuysen  
D867,560 S \* 11/2019 Goad ..... D23/311  
D893,000 S \* 8/2020 Moller ..... D23/311  
D893,688 S \* 8/2020 Lee ..... D23/311  
2011/0067171 A1 3/2011 Kouadio

**FOREIGN PATENT DOCUMENTS**  
CA 122197 \* 9/2007  
CN 1748623 A 3/2006  
CN 103243790 A 8/2013  
CN 203898178 U 10/2014

CN 204260654 U 4/2015  
EM 000790084-0001 \* 9/2007  
JP 2019004933 A 1/2019

**OTHER PUBLICATIONS**

Thetford 92415 Optional Floor Plate for Porta Potti Curve, first available Jun. 1, 2012 [online], [site visited Sep. 3, 2021]. Available from internet, URL:< <https://www.amazon.com/Thetford-92415-Optional-Floor-Plate/dp/B008FQRQBMwebsite>> (Year: 2012).  
Cover for portable toilet and portable toilet. Patent Translation [online]. Google Patents [retrieved on Oct. 2, 2019]. Retrieved from the Internet: <URL: <https://patents.google.com/patent/JP2019004933A/en?q=portable&q=toilet&q=seal&oq=portable+toilet+seal&page=3>>.

(Continued)

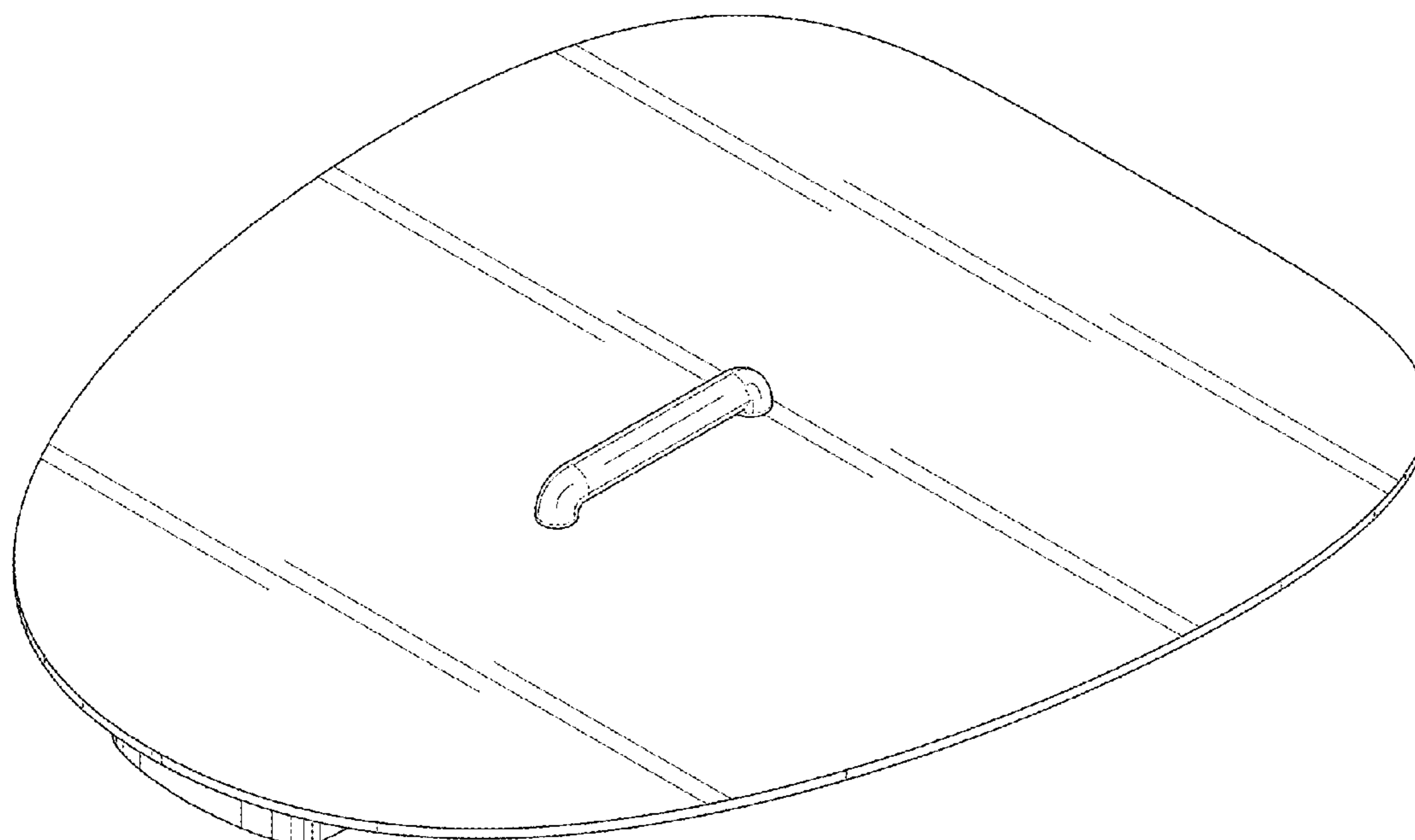
*Primary Examiner* — Barbara Fox  
*Assistant Examiner* — Jamaal Rasheed  
(74) *Attorney, Agent, or Firm* — Cramer Patent & Design, PLLC; Aaron R. Cramer

(57) **CLAIM**  
The ornamental design for a portable toilet cover, as shown and described.

**DESCRIPTION**

FIG. 1 is a perspective top front right view of a portable toilet cover, showing my new design;  
FIG. 2 is a perspective top rear left view thereof;  
FIG. 3 is a front elevation view thereof;  
FIG. 4 is a rear elevation view thereof;  
FIG. 5 is a right elevation view thereof;  
FIG. 6 is a left elevation view thereof;  
FIG. 7 is a top plan view thereof;  
FIG. 8 is a bottom plan view thereof; and,  
FIG. 9 is a bottom front left perspective view thereof.

**1 Claim, 7 Drawing Sheets**



(56)

**References Cited**

OTHER PUBLICATIONS

Inlet sealing structure device for sewage box of portable toilet. Patent Translation [online]. Google Patents [retrieved on Oct. 2, 2019]. Retrieved from the Internet: <URL: <https://patents.google.com/patent/CN203898178U/en?q=portable&q=toilet&q=seal&oq=portable+toilet+seal&page=1>>.

Portable sealed toilet. Patent Translation [online]. Google Patents [retrieved on Oct. 2, 2019]. Retrieved from the Internet: <URL: <https://patents.google.com/patent/CN1748623A/en?q=portable&q=toilet&q=seal&oq=portable+toilet+seal>>.

A kind of toilet cover assembly of portable toilet. Patent Translation [online]. Google Patents [retrieved on Oct. 2, 2019]. Retrieved from the Internet: <URL: <https://patents.google.com/patent/CN204260654U/en?q=portable&q=toilet&q=prevent&q=splash&q=cover&oq=portable+toilet+prevent+splash+cover&page=1>>.

Storage and transportation vehicle of mobile toilet. Patent Translation [online]. Google Patents [retrieved on Oct. 2, 2019]. Retrieved from the Internet: <URL: <https://patents.google.com/patent/CN103243790A/en?q=portable&q=toilet&q=transportation&q=splash&q=cover&oq=portable+toilet+transportation+splash+cover>>.

\* cited by examiner

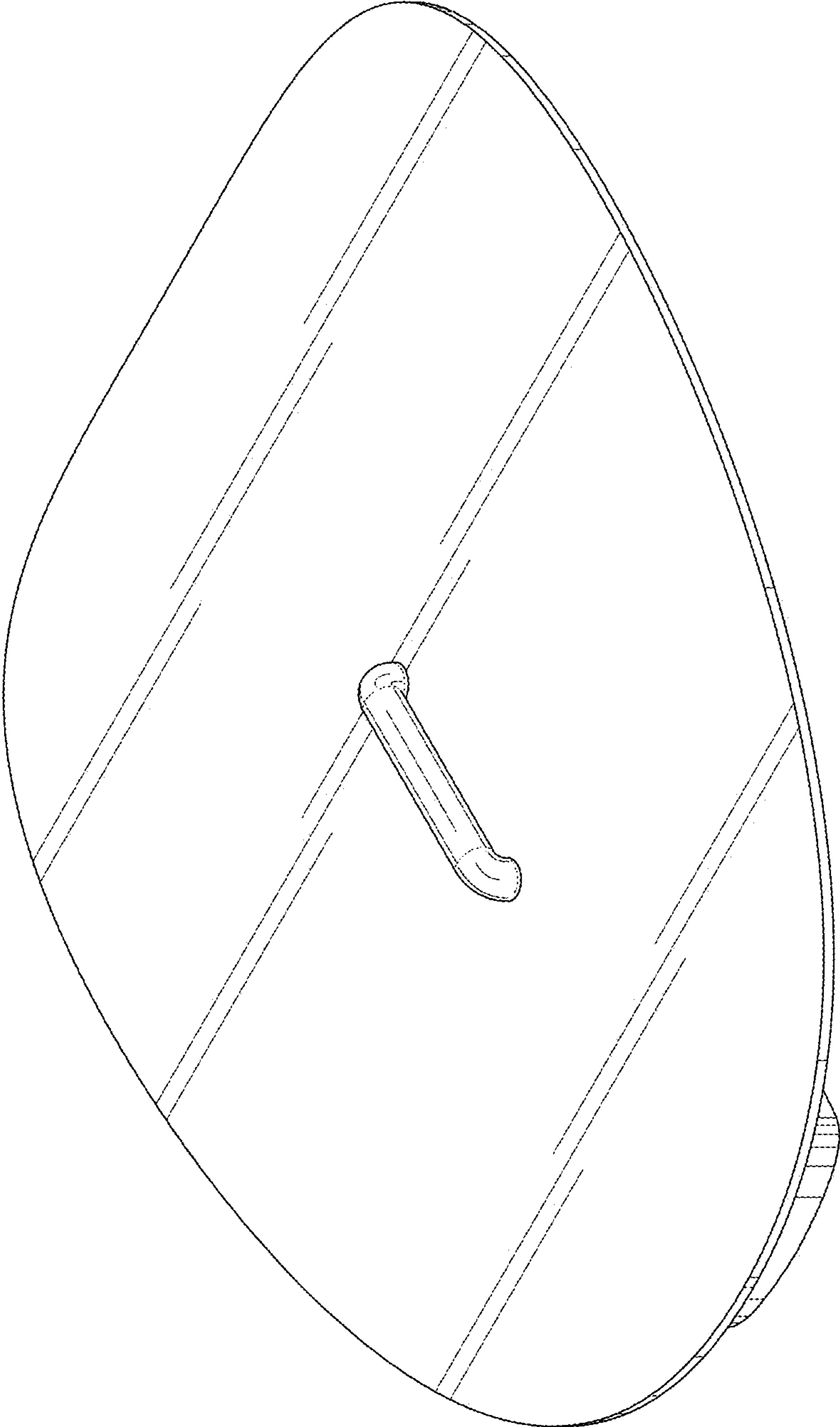


FIG. 1

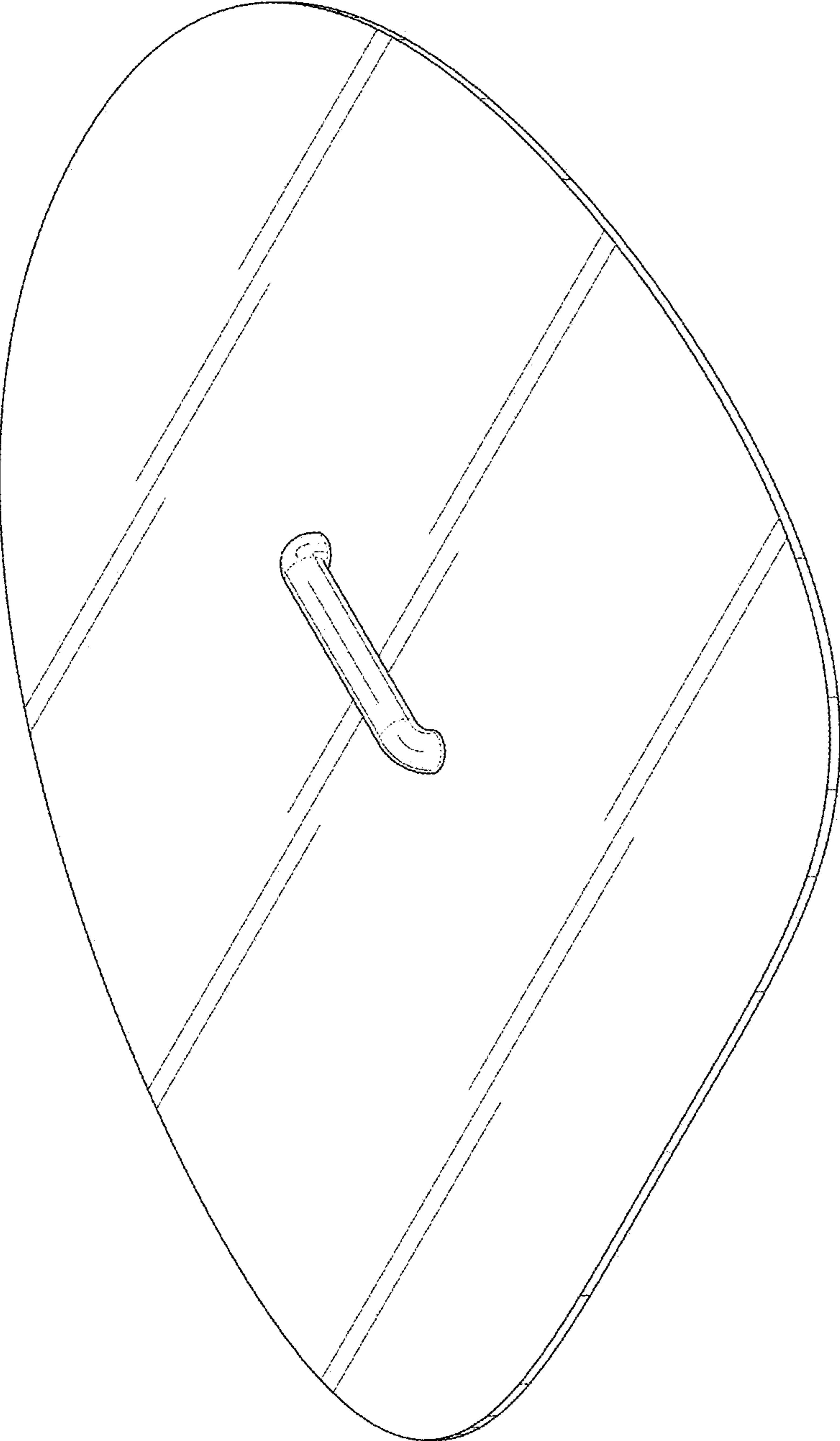


FIG. 2

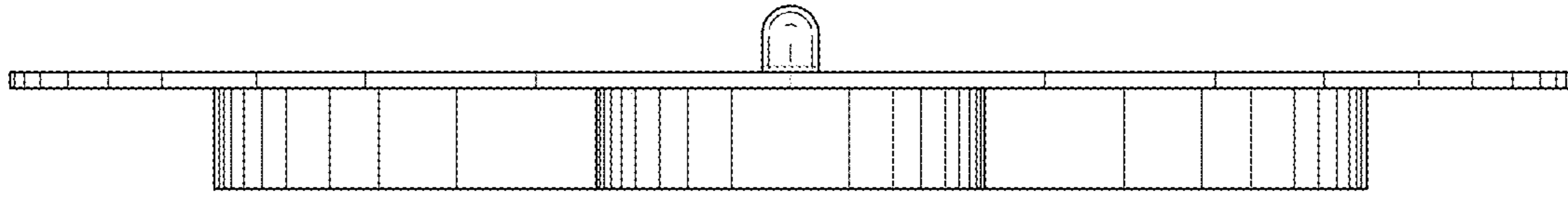


FIG. 3

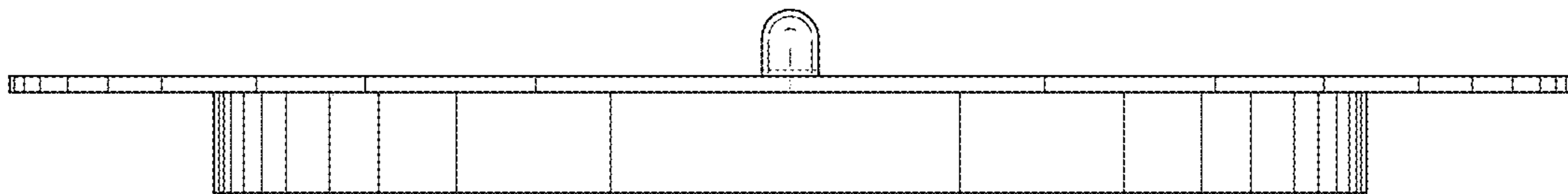


FIG. 4

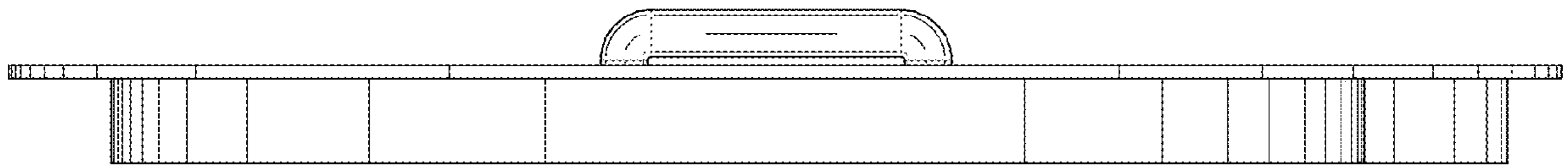


FIG. 5

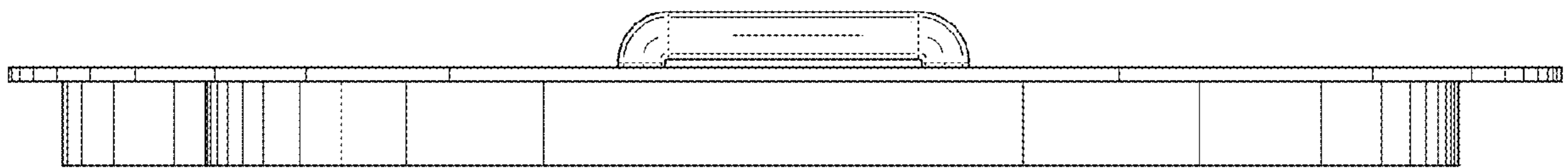


FIG. 6

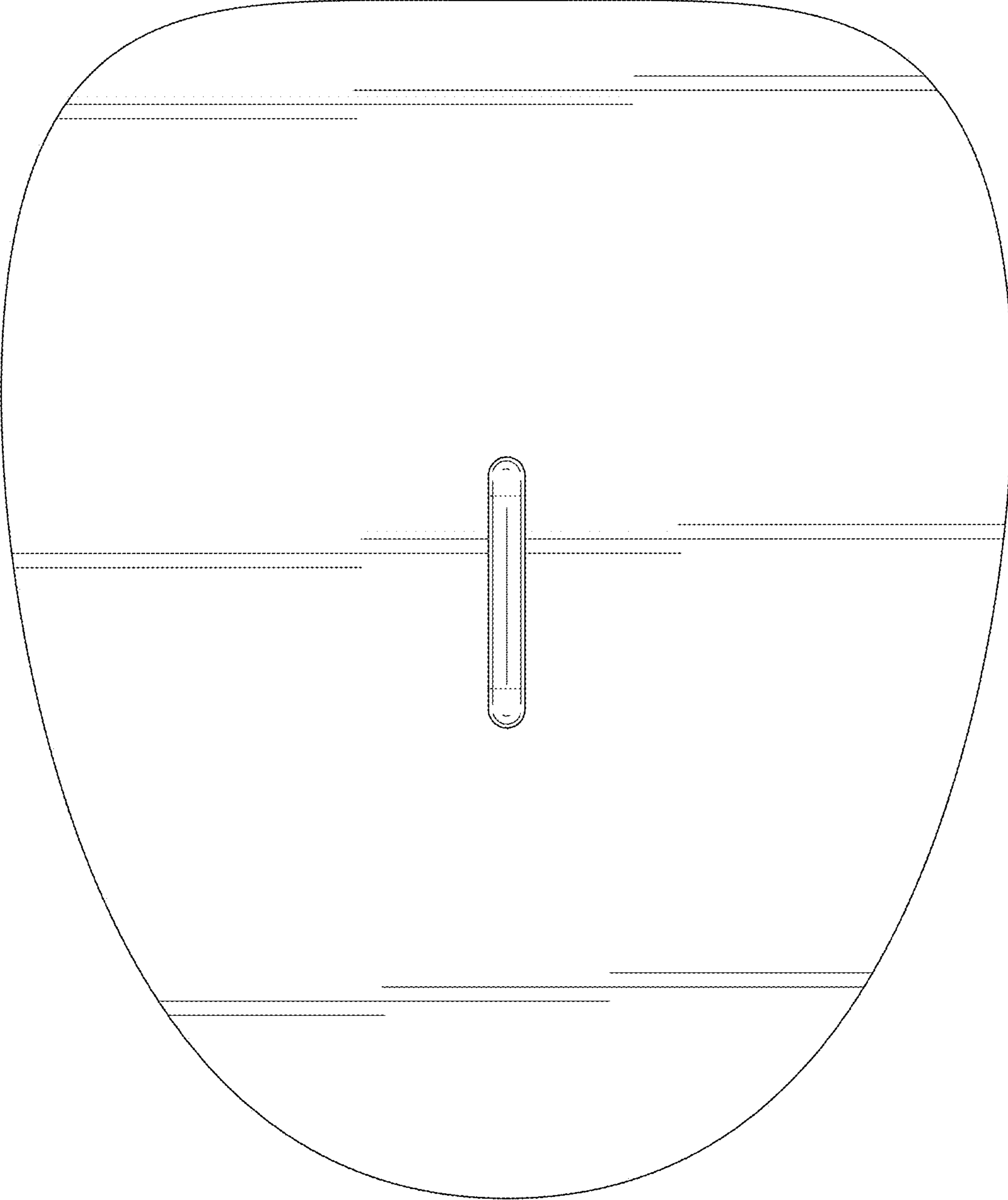


FIG. 7

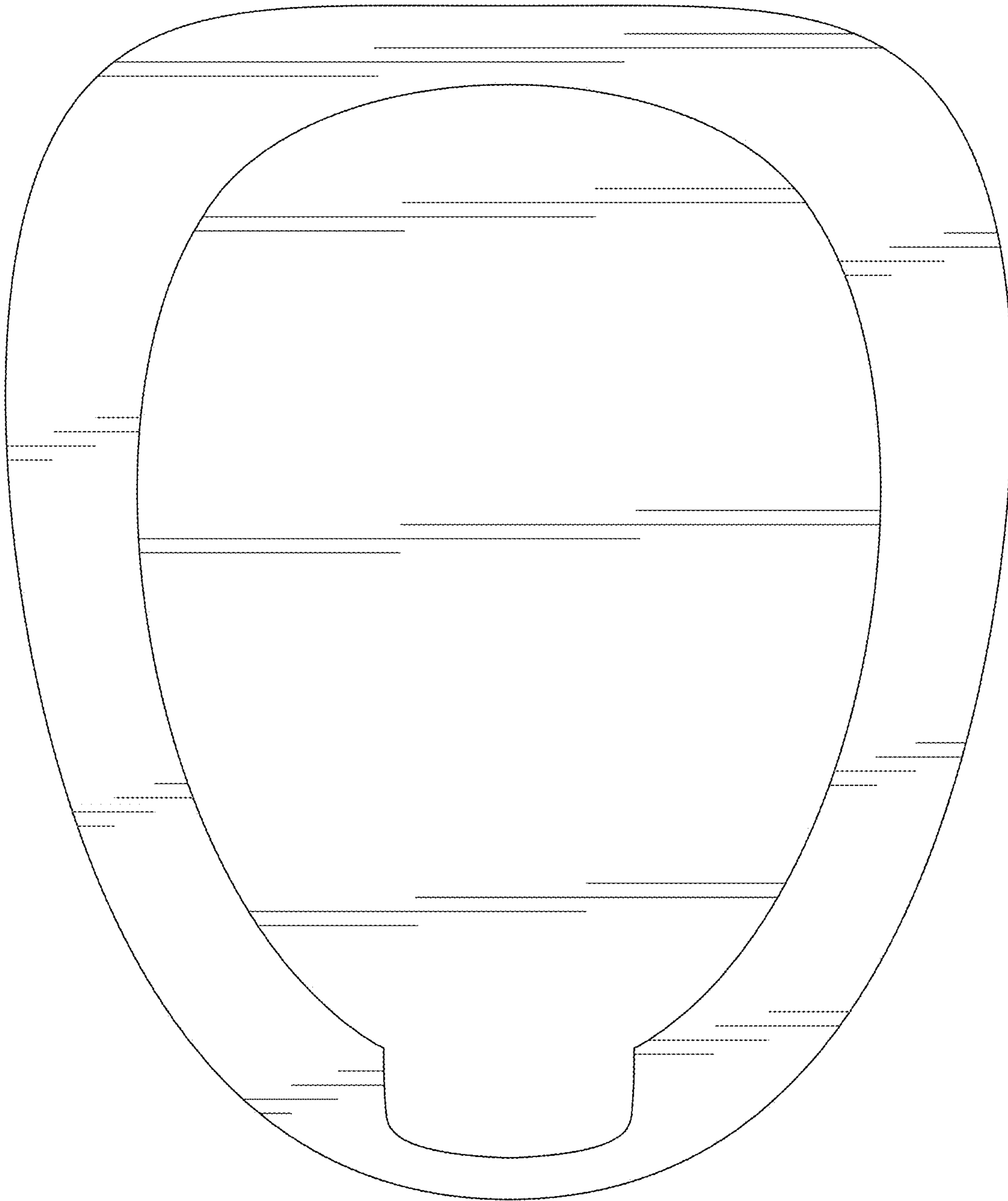


FIG. 8



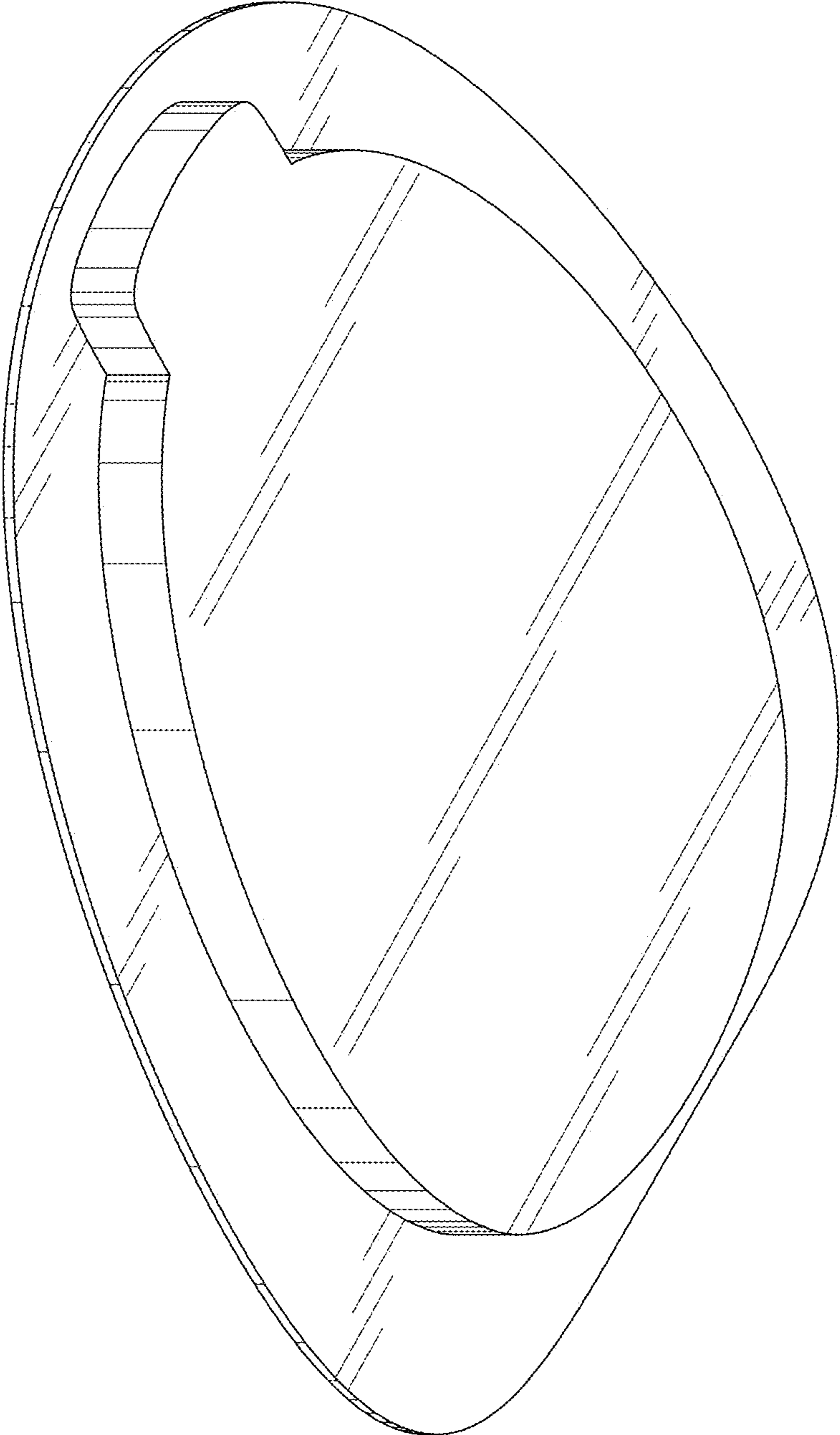


FIG. 9