



US00D938563S

(12) **United States Design Patent** (10) **Patent No.:** **US D938,563 S**
Booth et al. (45) **Date of Patent:** **** Dec. 14, 2021**

(54) **PLUMBING FIXTURE**

10,912,431 B2 * 2/2021 Grin A47K 13/12
2020/0015641 A1 * 1/2020 Grin E05D 3/14

(71) Applicant: **Kohler Co.**, Kohler, WI (US)

* cited by examiner

(72) Inventors: **Shawn J. Booth**, Sheboygan, WI (US);
Clayton C. Garrels, Kohler, WI (US);
Dongha Lee, Sheboygan, WI (US);
Gabriela Christina Burton-Rodriguez,
Charlotte, NC (US); **Carlos F. Uceda**,
Shanghai (CN); **Matthew R. Wegner**,
Sheboygan, WI (US); **Fabiana**
Antonella Valleta Betancourt,
Savannah, GA (US); **Yidan Zhang**,
Arcadia, CA (US)

Primary Examiner — Robert A Delehanty
(74) *Attorney, Agent, or Firm* — Lempia Summerfield
Katz LLC

(57) **CLAIM**

We claim the ornamental design for a plumbing fixture, as shown and described.

DESCRIPTION

(73) Assignee: **Kohler Co.**, Kohler, WI (US)

FIG. 1 is a perspective view of an embodiment of a toilet of the claimed design;
FIG. 2 is a front view of the claimed design shown in FIG. 1;
FIG. 3 is a rear view of the claimed design shown in FIG. 1;
FIG. 4 is a side view of the claimed design shown in FIG. 1;
FIG. 5 is another side view of the claimed design shown in FIG. 1;
FIG. 6 is a top view of the claimed design shown in FIG. 1; and,
FIG. 7 is a bottom view of the claimed design shown in FIG. 1.

(**) Term: **15 Years**

(21) Appl. No.: **29/721,335**

(22) Filed: **Jan. 20, 2020**

(51) **LOC (13) Cl.** **23-02**

(52) **U.S. Cl.**
USPC **D23/309**

(58) **Field of Classification Search**
USPC D23/295, 301, 309, 313
See application file for complete search history.

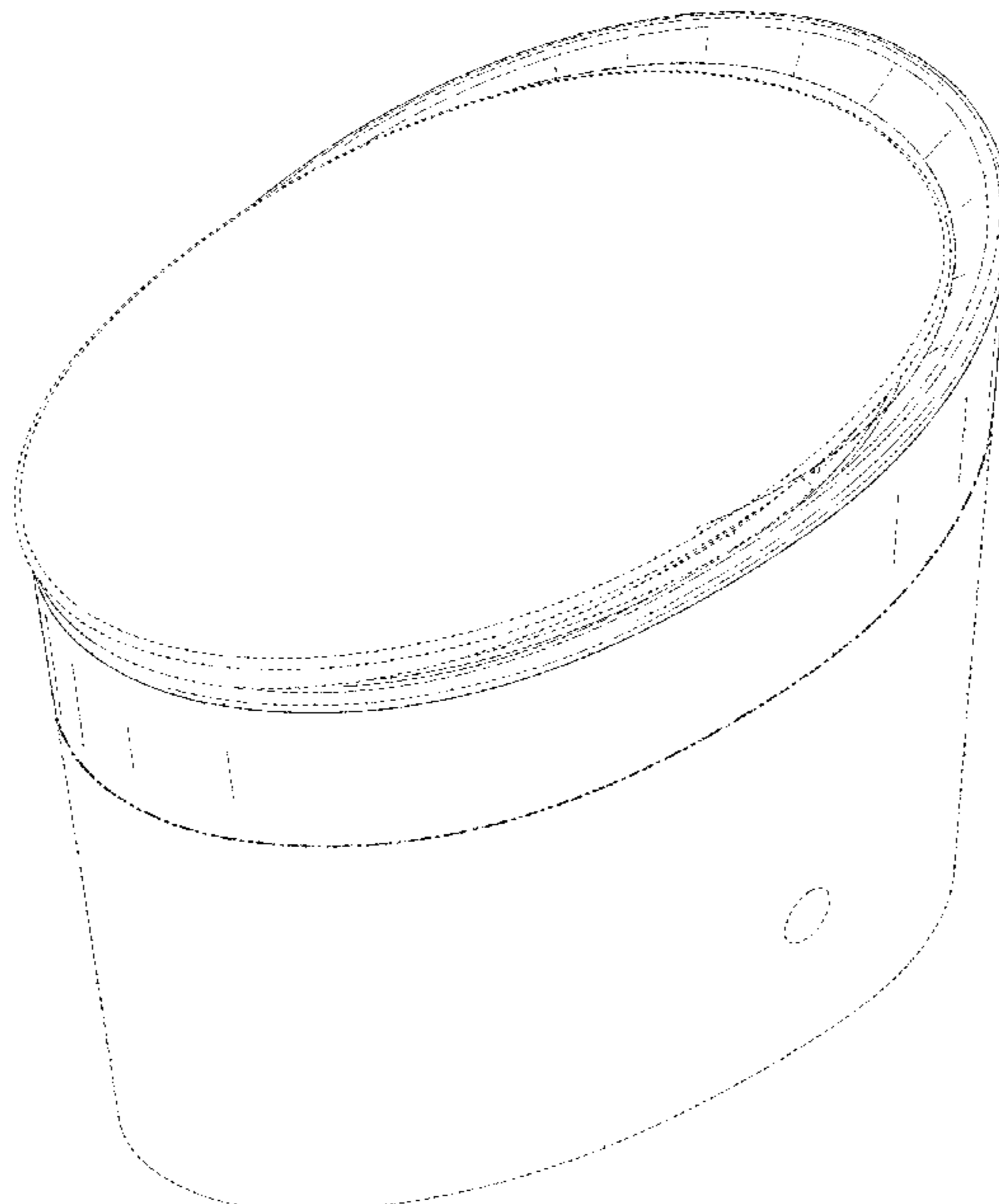
The ornamental design that is claimed is shown in the drawings as solid lines and surfaces having surface shading. The broken lines in the drawings are for illustrative purposes only and form no part of the claimed design. For example, broken lines formed by equal length dashes show unclaimed portions of the design. Broken lines formed of unequal length dashes (i.e., dash-dot) show boundaries between either claimed and unclaimed portions of the design or between unclaimed and unclaimed portions of the design. Oblique shade lines show a translucent or transparent material.

(56) **References Cited**

U.S. PATENT DOCUMENTS

D604,812 S * 11/2009 Kuang D23/295
D642,247 S * 7/2011 Jiang D23/295
D651,297 S * 12/2011 Jiang D23/309
D678,485 S * 3/2013 Bickerstaffe D23/301
D678,486 S * 3/2013 Bickerstaffe D23/301
10,244,905 B2 * 4/2019 Tsujita A47K 13/12

1 Claim, 7 Drawing Sheets



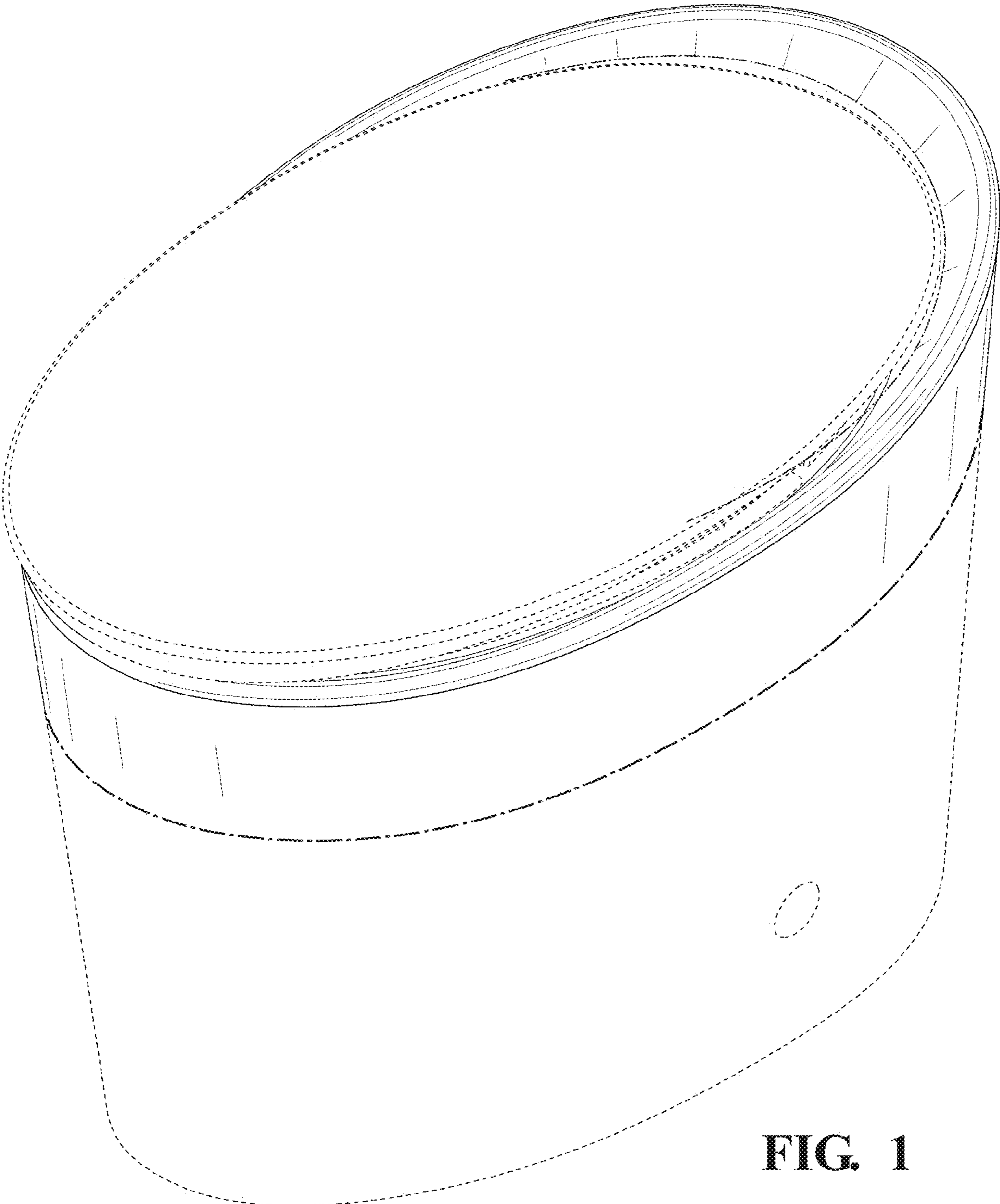


FIG. 1

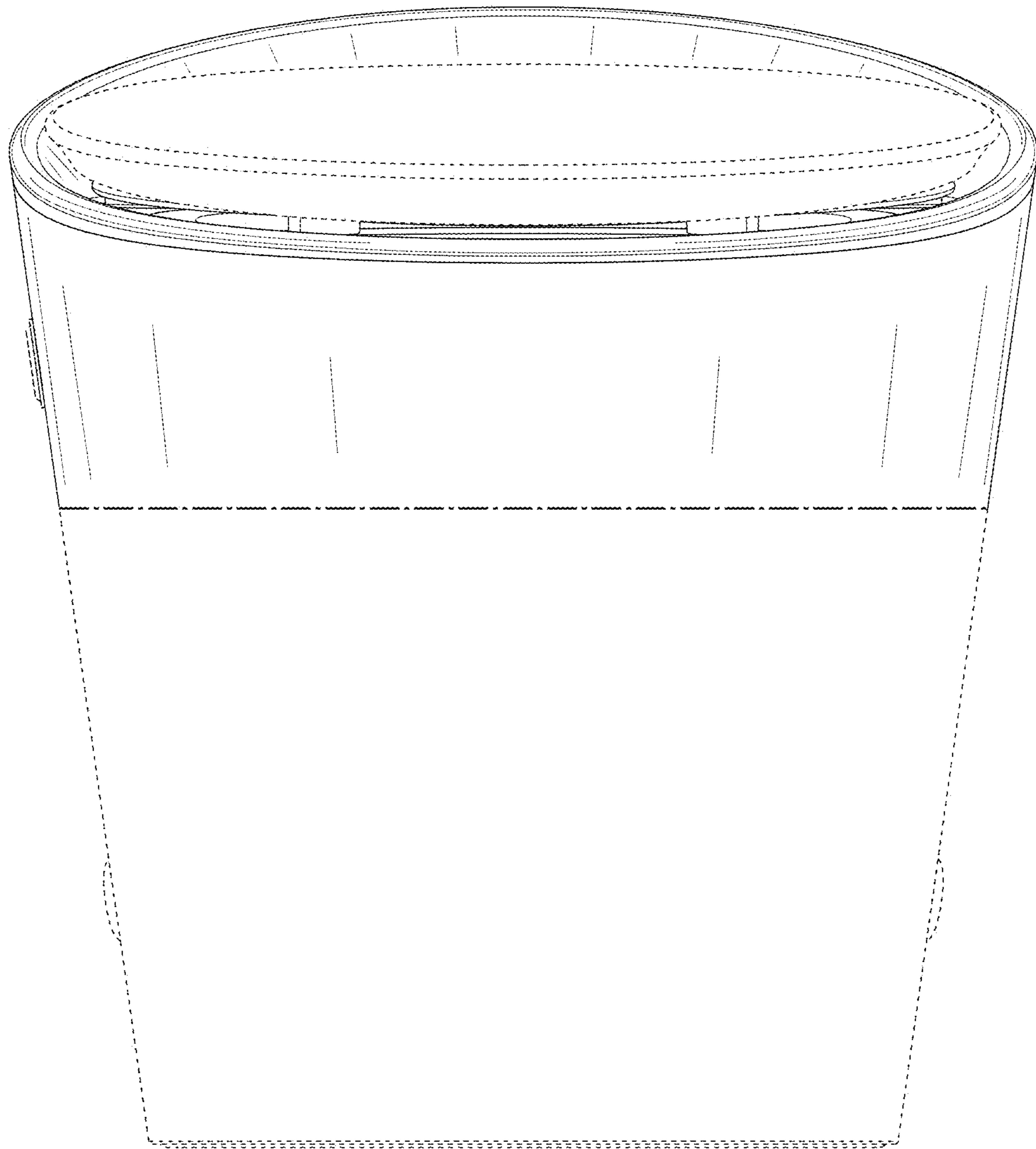


FIG. 2

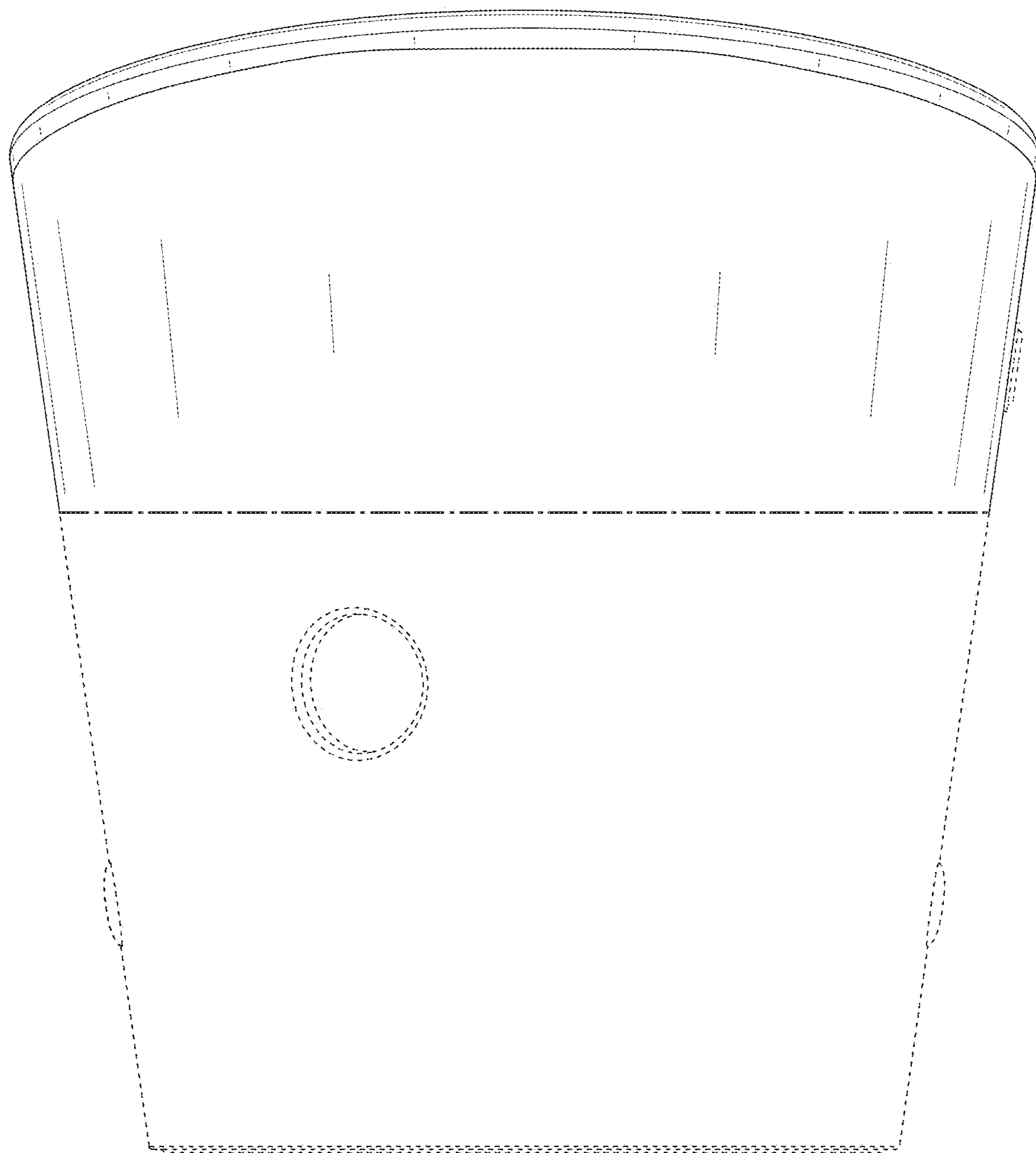


FIG. 3

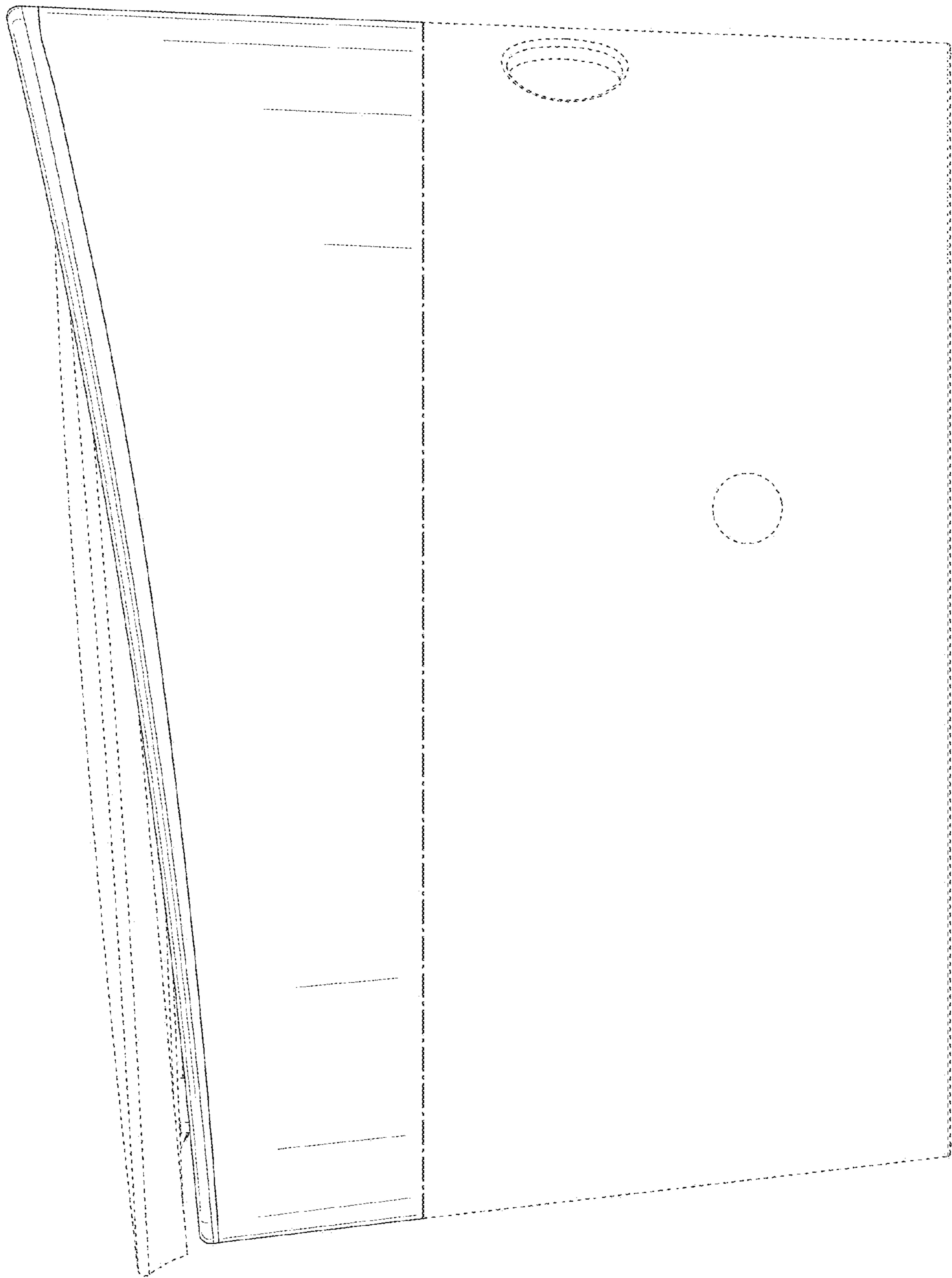


FIG. 4

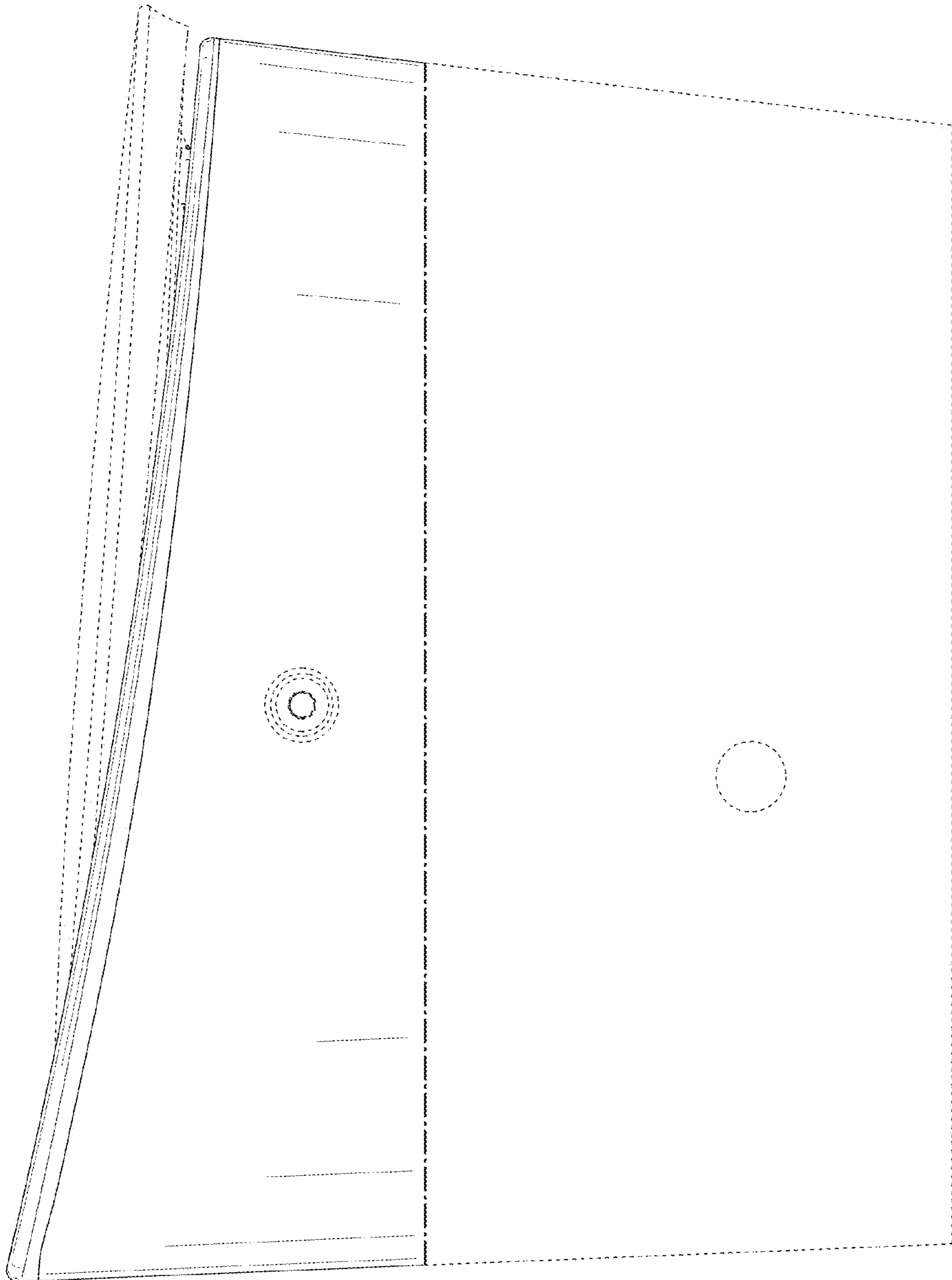


FIG. 5

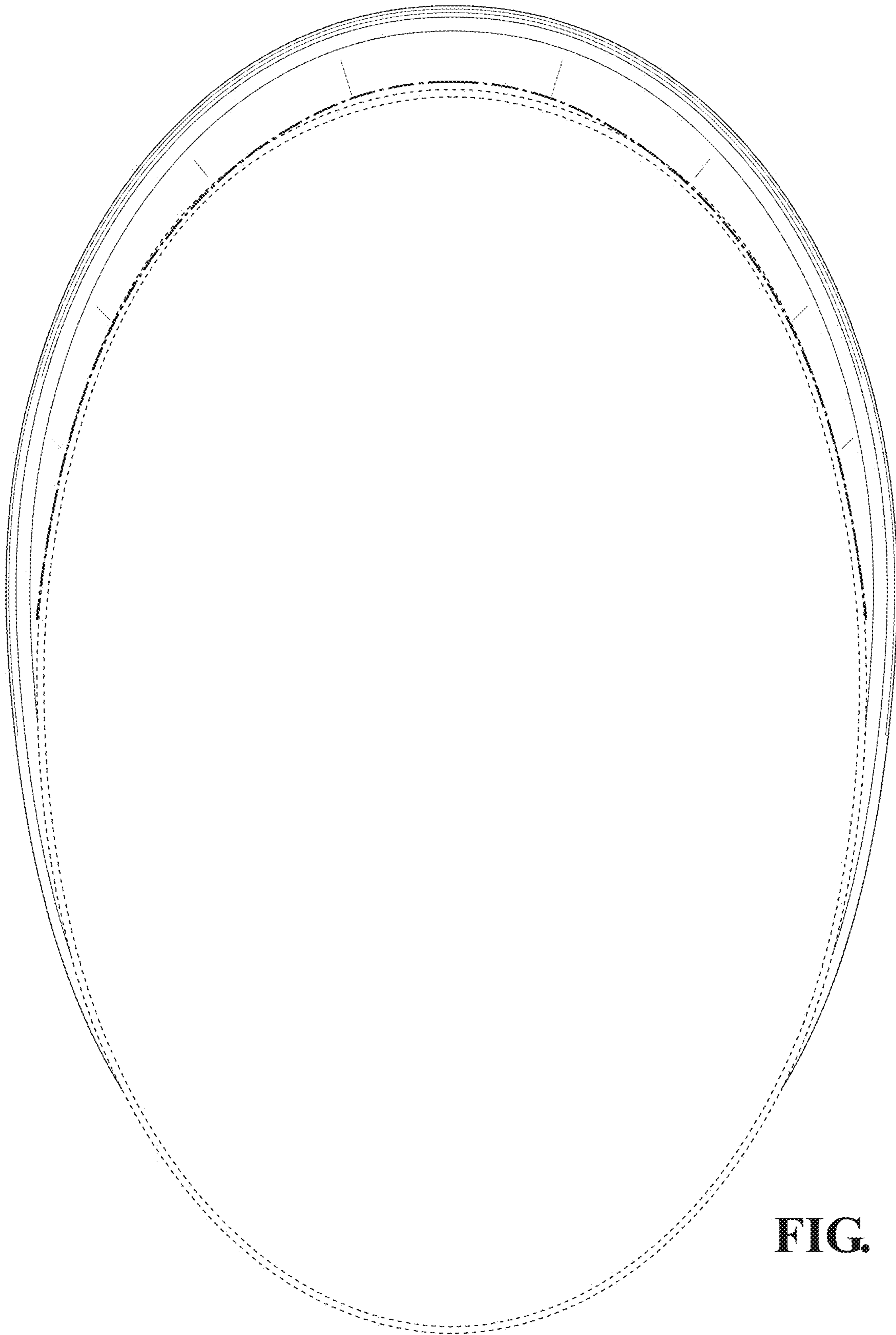


FIG. 6

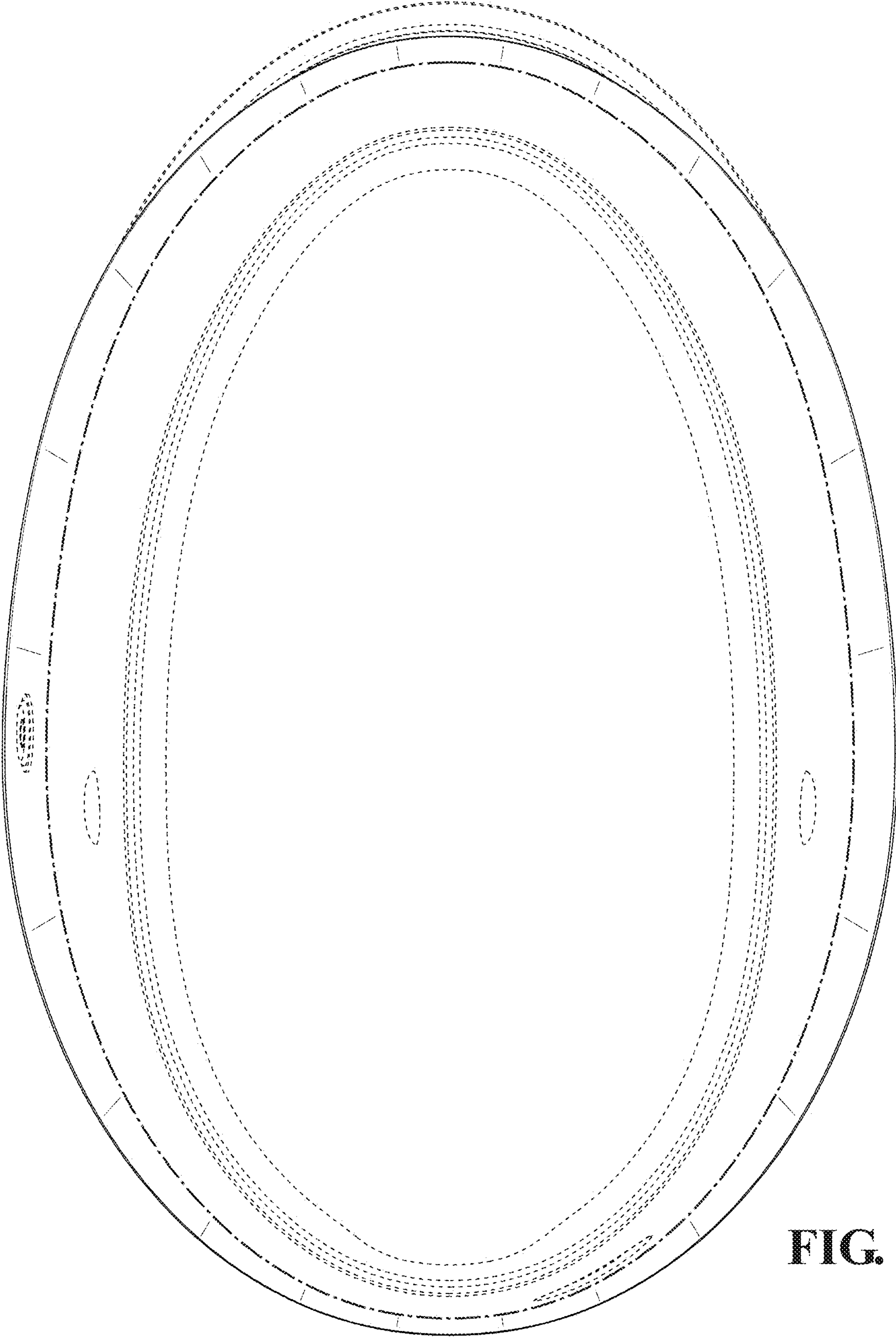


FIG. 7