



US00D938562S

(12) **United States Design Patent** (10) **Patent No.:** **US D938,562 S**
Guinn (45) **Date of Patent:** **** Dec. 14, 2021**

(54) **FLOOR REINFORCEMENT TOILET MOUNTING PLATE**

(71) Applicant: **Dale E. Guinn**, Cleveland, OK (US)

(72) Inventor: **Dale E. Guinn**, Cleveland, OK (US)

(**) Term: **15 Years**

(21) Appl. No.: **29/701,160**

(22) Filed: **Aug. 8, 2019**

(51) **LOC (13) Cl.** **23-02**

(52) **U.S. Cl.**
USPC **D23/309**

(58) **Field of Classification Search**
USPC D23/309, 259; D8/349, 354
CPC E03D 11/16
See application file for complete search history.

(56) **References Cited**

U.S. PATENT DOCUMENTS

- D52,059 S * 5/1918 Lukomski D23/309
- 1,533,444 A * 4/1925 Mohr E03D 11/16
4/252.1
- D255,481 S * 6/1980 Moore D23/309
- 5,335,849 A * 8/1994 Forbes E03D 11/16
285/12
- D421,645 S * 3/2000 Karnoski D23/309
- D452,555 S * 12/2001 Morris D23/309
- 6,378,141 B1 * 4/2002 Lew E03D 11/16
4/252.1
- 6,644,670 B2 * 11/2003 Etcheverry E03D 11/16
277/606
- 7,165,275 B2 * 1/2007 Clark E03D 11/16
4/252.1
- 10,119,262 B2 * 11/2018 Prior E03D 11/16

- 2013/0139307 A1 * 6/2013 Corbin E03D 11/16
4/252.1
- 2013/0305443 A1 * 11/2013 Baranj E03D 11/16
4/251.1
- 2018/0266093 A1 * 9/2018 Hines E03D 11/16

OTHER PUBLICATIONS

Closet Flange Floor Support: [* cited by examiner](https://www.ferguson.com/product/sioux-chief-closet-flange-floor-support-steel-s49011322/_/R-1598207?pid=!c12868958051!a120243846934!tpla-1271358557965!k!m!p!dc!ng!f!sid&gclid=EAlaIqobChMlgMijw7Oa8glVIM3ICh3VwQYOEaQYBSABEgL5DvD_BwE&gclidsrc=aw.ds(Year: 2021).*</p></div>
<div data-bbox=)

Primary Examiner — Robert A Delehanty

(74) *Attorney, Agent, or Firm* — Head, Johnson, Kachigian & Wilkinson, PC

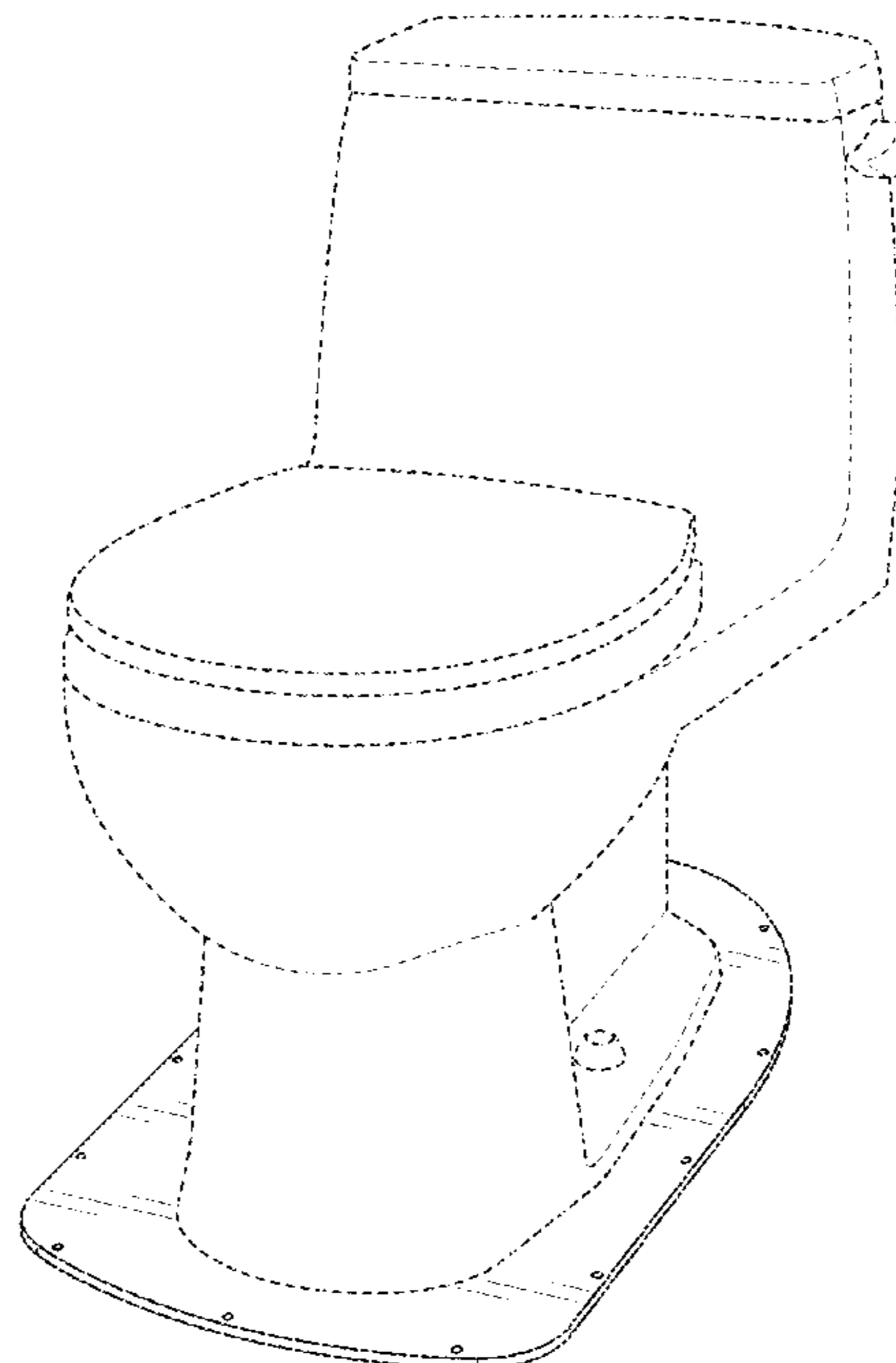
(57) **CLAIM**

The ornamental design for a floor reinforcement toilet mounting plate, as shown and described.

DESCRIPTION

FIG. 1 is a perspective view of the floor reinforcement toilet mounting plate in place under a toilet;
FIG. 2 is a front view of the floor reinforcement toilet mounting plate;
FIG. 3 is a back view thereof;
FIG. 4 is a right side view thereof;
FIG. 5 is a left side view thereof;
FIG. 6 is a top view thereof; and,
FIG. 7 is a bottom view thereof.
The broken lines illustrating the toilet show the environment in which the design may be used and form no part of the claimed design.

1 Claim, 5 Drawing Sheets



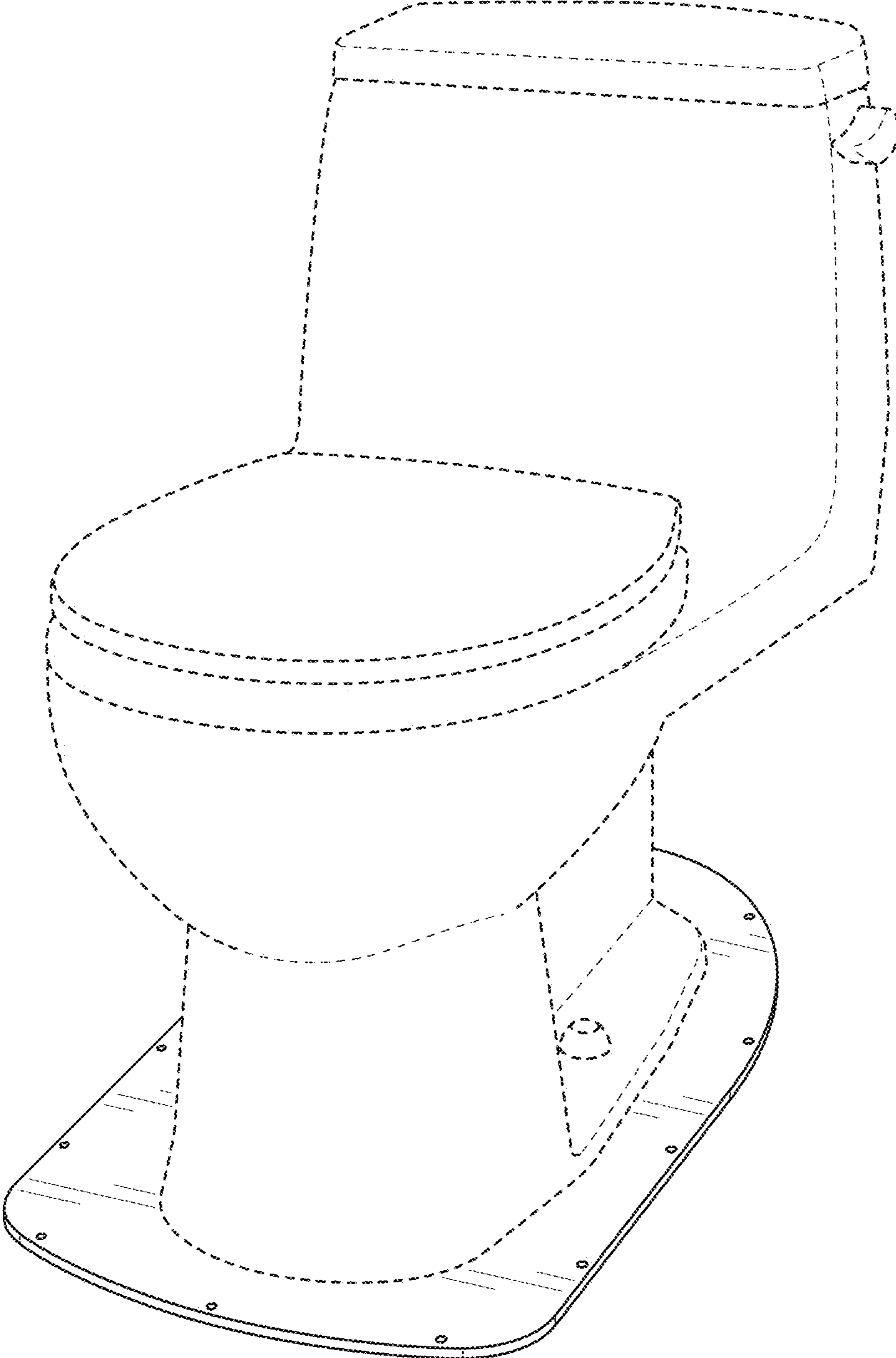


FIG. 1

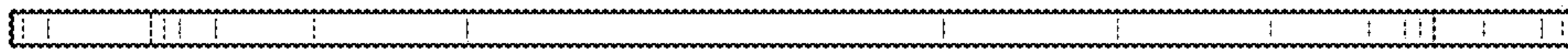


FIG. 2



FIG. 3



FIG. 4



FIG. 5

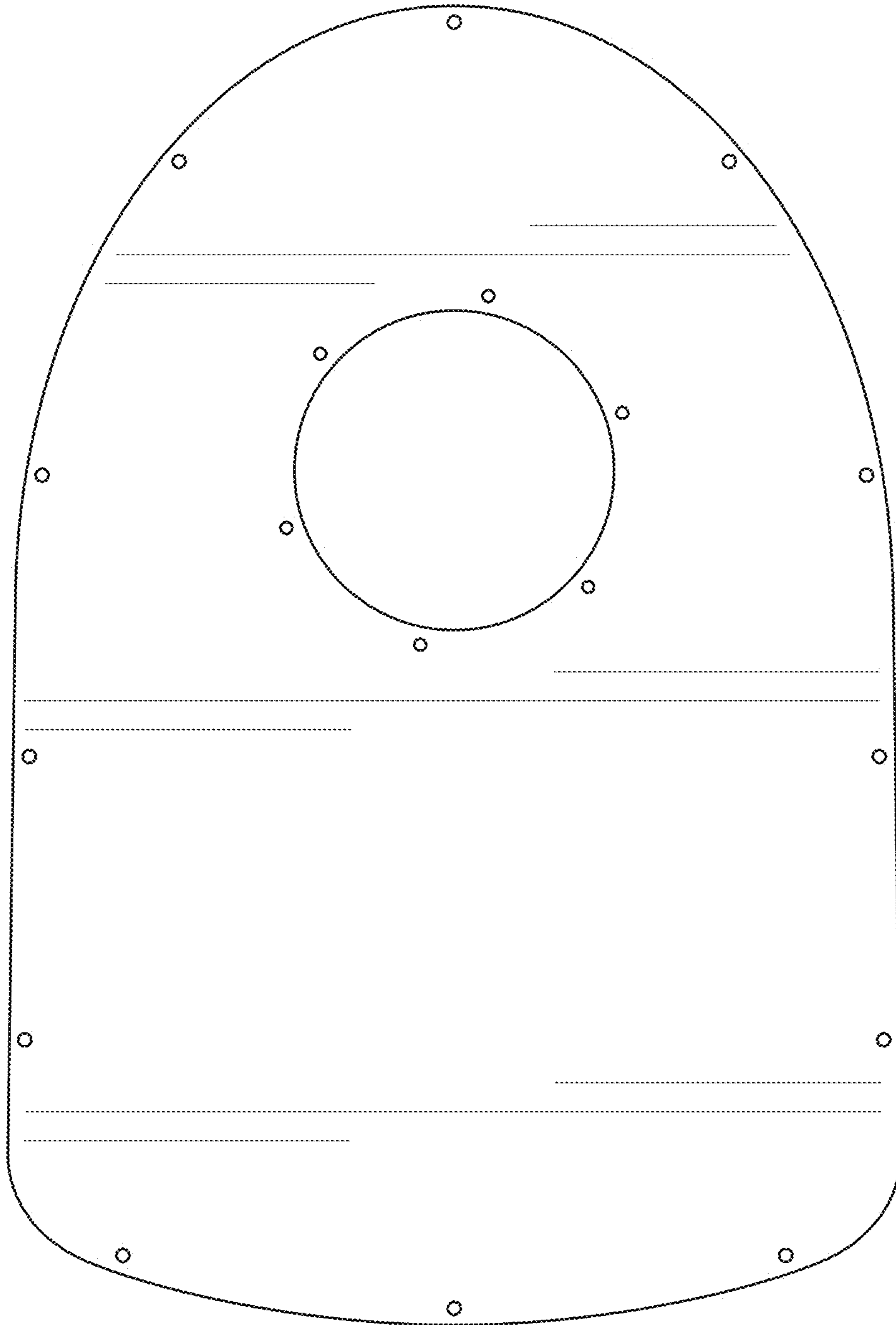


FIG. 6

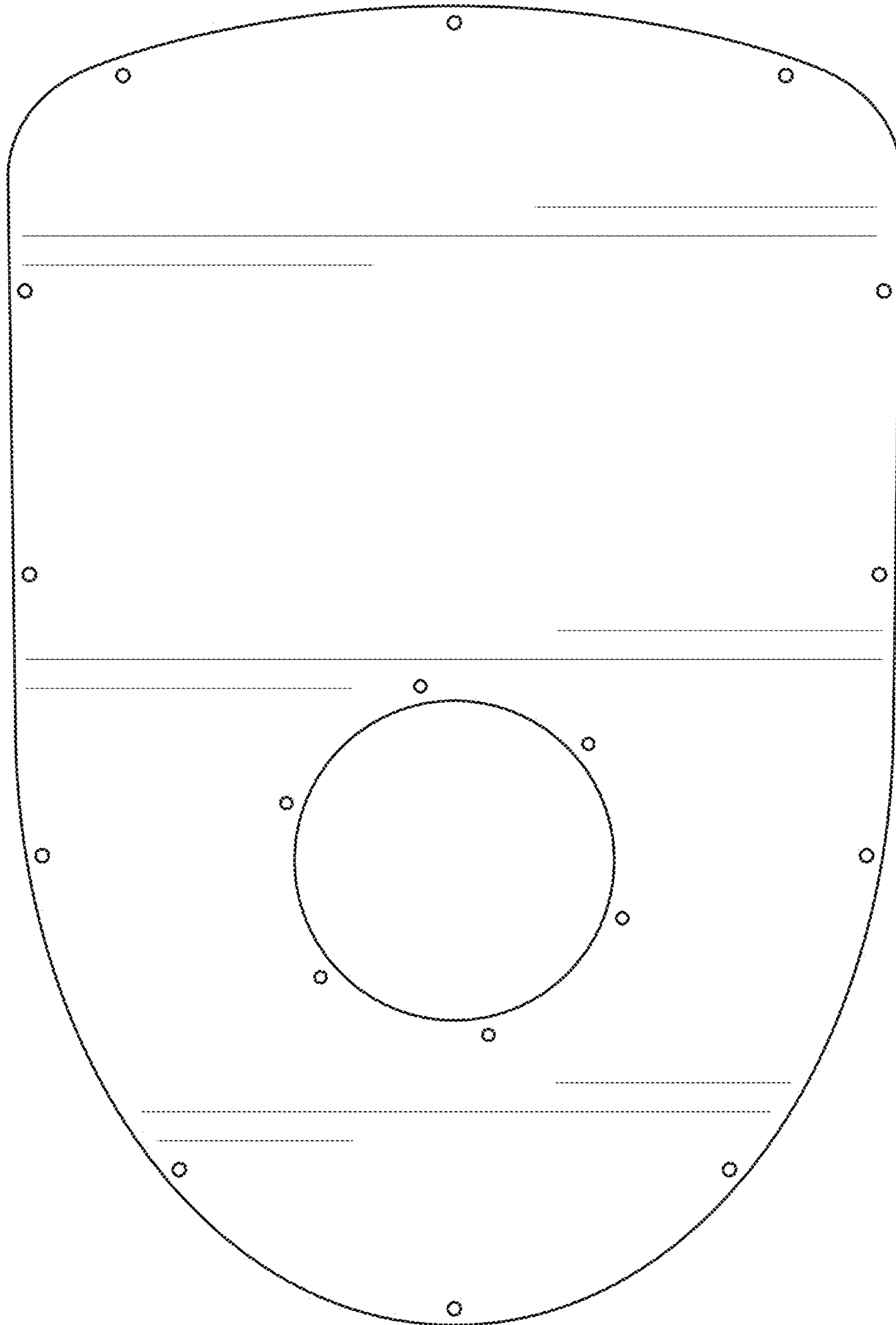


FIG. 7