



US00D938561S

(12) **United States Design Patent** (10) **Patent No.:** **US D938,561 S**  
**Bucher** (45) **Date of Patent:** **\*\* Dec. 14, 2021**

(54) **BATHTUB**  
(71) Applicant: **AS America, Inc.**, Piscataway, NJ (US)  
(72) Inventor: **Christophe Bucher**, Hillsborough, NJ (US)  
(73) Assignee: **AS America, Inc.**, Piscataway, NJ (US)  
(\*\*) Term: **15 Years**  
(21) Appl. No.: **29/733,883**  
(22) Filed: **May 7, 2020**

D716,918 S 11/2014 Kuch et al.  
D725,754 S 3/2015 Spangler  
D728,760 S 5/2015 Spangler  
D737,416 S 8/2015 Ahmes et al.  
D747,446 S 1/2016 Yoshioka  
D783,853 S 4/2017 Collins  
D804,621 S \* 12/2017 Brandli ..... D23/293.1  
D814,615 S 4/2018 Ziemann et al.  
D834,157 S 11/2018 L'Henaff et al.  
D866,721 S \* 11/2019 Bucher ..... D23/280.1

(Continued)

**Related U.S. Application Data**

(63) Continuation of application No. 29/623,669, filed on Oct. 26, 2017, now Pat. No. Des. 886,959.  
(51) **LOC (13) Cl.** ..... **23-02**  
(52) **U.S. Cl.**  
USPC ..... **D23/304**  
(58) **Field of Classification Search**  
USPC ... D23/277-279, 280.1, 280.2, 280.3, 280.4, D23/284, 293.1, 304-307  
CPC ..... A47K 3/006; A47K 3/02; A47K 3/022; E05C 9/16  
See application file for complete search history.

**References Cited**

**U.S. PATENT DOCUMENTS**

D101,447 S \* 10/1936 Dreyfuss ..... D23/280.1  
D335,701 S 5/1993 Zaccai et al.  
D527,083 S 8/2006 Lebrun et al.  
D560,768 S 1/2008 Smith  
D594,939 S \* 6/2009 Bates ..... D23/277  
D633,602 S \* 3/2011 Miura ..... D23/280.1  
D633,603 S 3/2011 Su  
D638,524 S \* 5/2011 Thomas ..... D23/280.1  
D697,182 S 1/2014 Lutz  
D698,905 S \* 2/2014 Ziemann ..... D23/293.1  
D705,404 S 5/2014 Anzellini

**OTHER PUBLICATIONS**

American Standard Townsend Freestanding Tub [Jul. 21, 2021] found online [Jul. 21, 2021]—<https://www.americanstandard.ca/bathroom/bathtubs/townsend-freestanding-tub-39351>.\*

(Continued)

*Primary Examiner* — John A Voytek  
(74) *Attorney, Agent, or Firm* — Tyler A. Stevenson; Anna-lisa L. Gallo

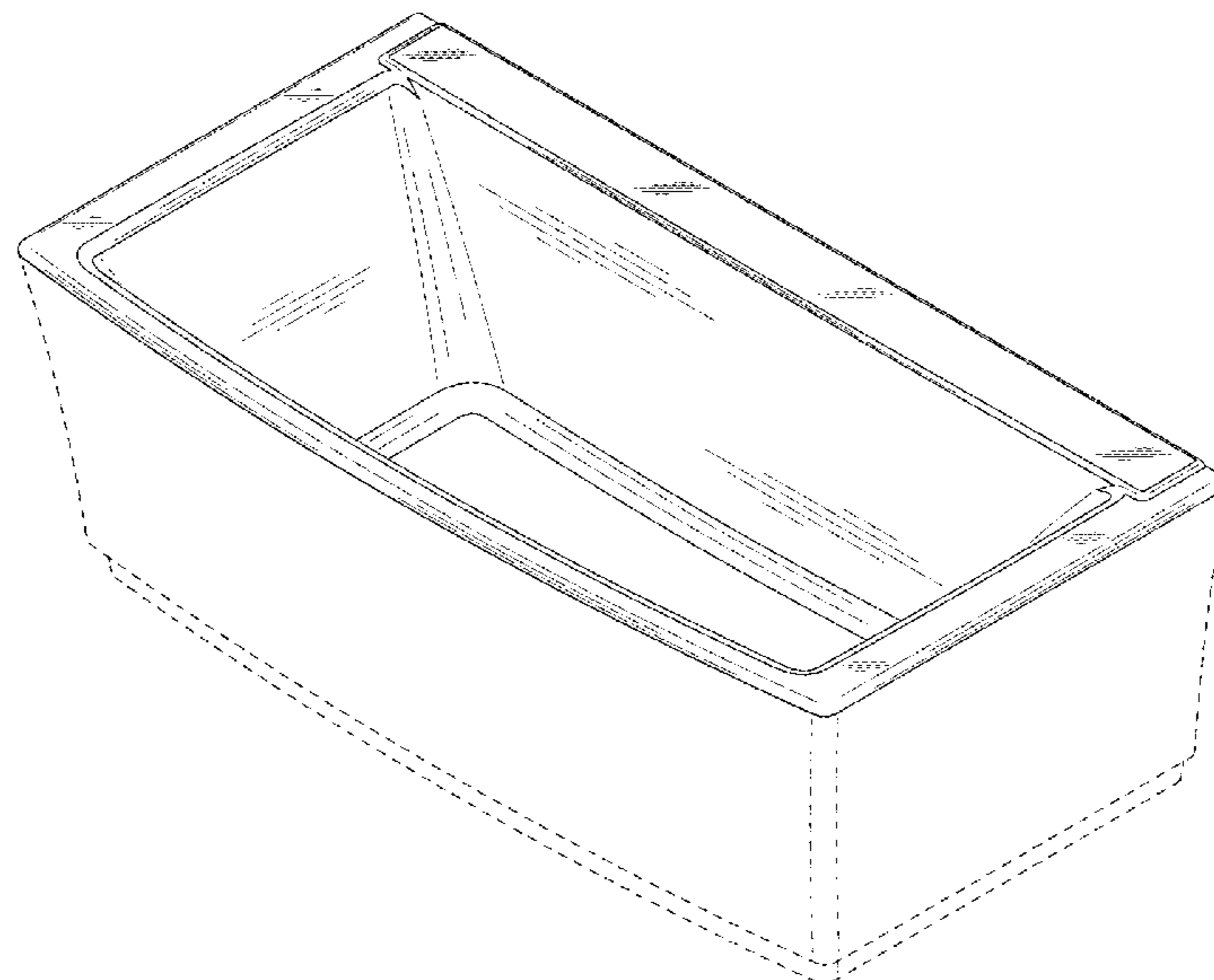
(57) **CLAIM**

The ornamental design for a bathtub, as shown and described.

**DESCRIPTION**

FIG. 1 is a front perspective view of a bathtub showing my new design;  
FIG. 2 is a front elevational view thereof;  
FIG. 3 is a rear elevational view thereof;  
FIG. 4 is a left-side elevational view thereof;  
FIG. 5 is a right-side elevational view thereof;  
FIG. 6 is a top plan view thereof; and,  
FIG. 7 is a bottom plan view thereof.  
The broken lines represent environmental structure, surface contour, and/or, if immediately adjacent the shaded areas, the bounds of the claimed design. The broken lines themselves form no part of the claimed design.

**1 Claim, 4 Drawing Sheets**



(56)

**References Cited**

## U.S. PATENT DOCUMENTS

D866,726 S \* 11/2019 Chen ..... D23/293.1  
D872,242 S \* 1/2020 Bucher ..... D23/277  
D885,534 S \* 5/2020 McMaster ..... D23/277  
D886,959 S \* 6/2020 Bucher ..... D23/277  
D892,988 S \* 8/2020 Dominguez ..... D23/279  
2011/0214230 A1\* 9/2011 Bates ..... A47K 3/02  
4/584  
2012/0029400 A1 2/2012 Moretto

## OTHER PUBLICATIONS

Lush Free Standing Bathtub (VA1045); [http://www.valleyacrylic.com/store/index.php?route=product/product&product\\_id=619&search=lush&description=true](http://www.valleyacrylic.com/store/index.php?route=product/product&product_id=619&search=lush&description=true), downloaded Oct. 5, 2017.

OMSA Professional Acrylic Bathtub Manufacturer; <http://en.chinaomsa.com/product.asp>, downloaded Oct. 5, 2017.

Fleurco Sonnet Acrylic bathtub; [http://designashower.com/uploads/tub/spec\\_pdf/30/Sonnet\\_BSO6039\\_Gen\\_Specs.pdf](http://designashower.com/uploads/tub/spec_pdf/30/Sonnet_BSO6039_Gen_Specs.pdf), downloaded Oct. 5, 2017.

Victoria + Albert Eldon bathtub; <https://vandabaths.com/us/americas/product/eldon/>, downloaded Oct. 5, 2017.

American Standard Tofino reference [Jan. 22, 2019] found online [Jan. 22, 2019]—<https://www.lowes.com/pd/American-Standard-Tofino-31-49-in-White-Acrylic-Rectangular-Center-Drain-Freestanding-Bathtub/50292489>.

\* cited by examiner

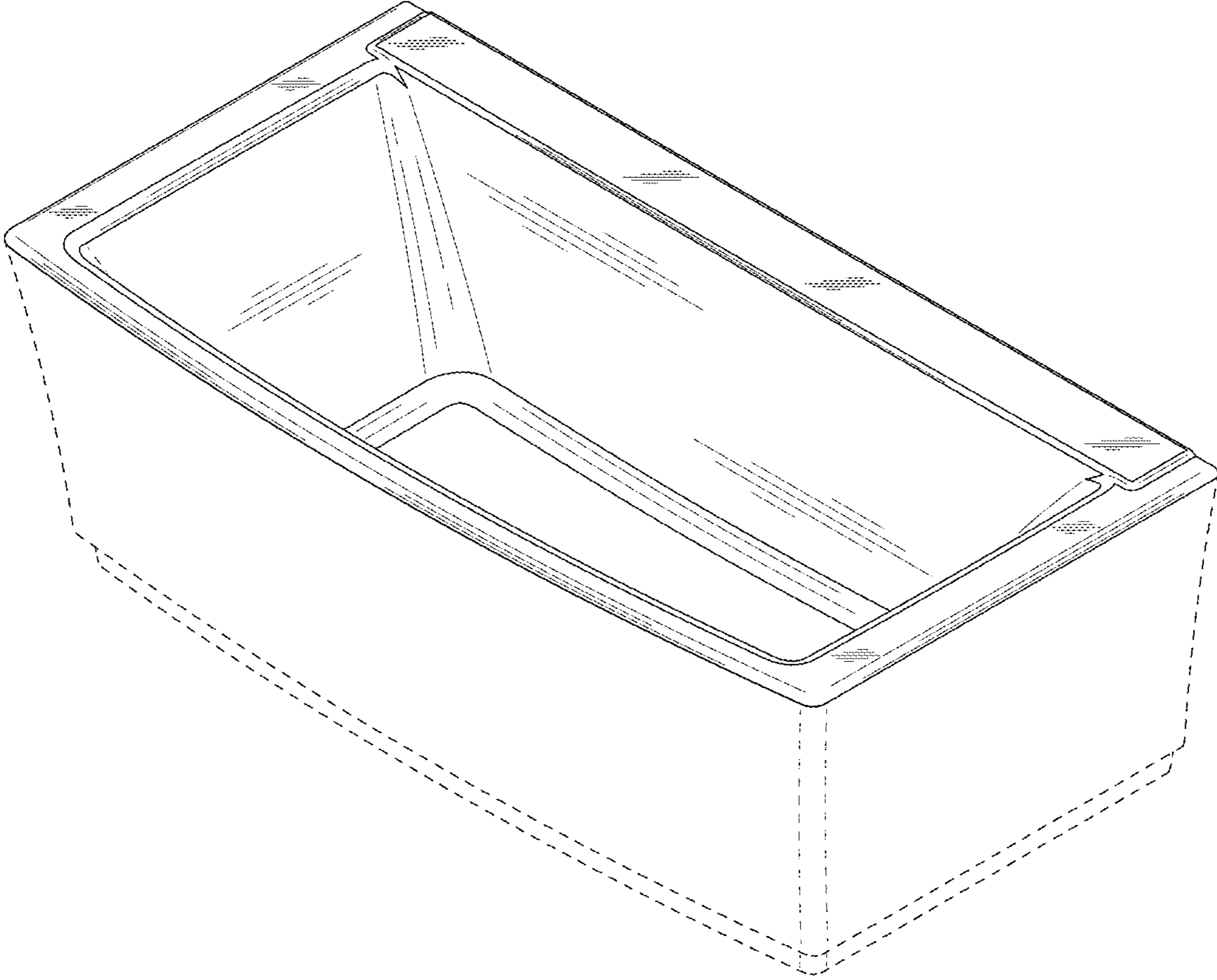


FIG. 1

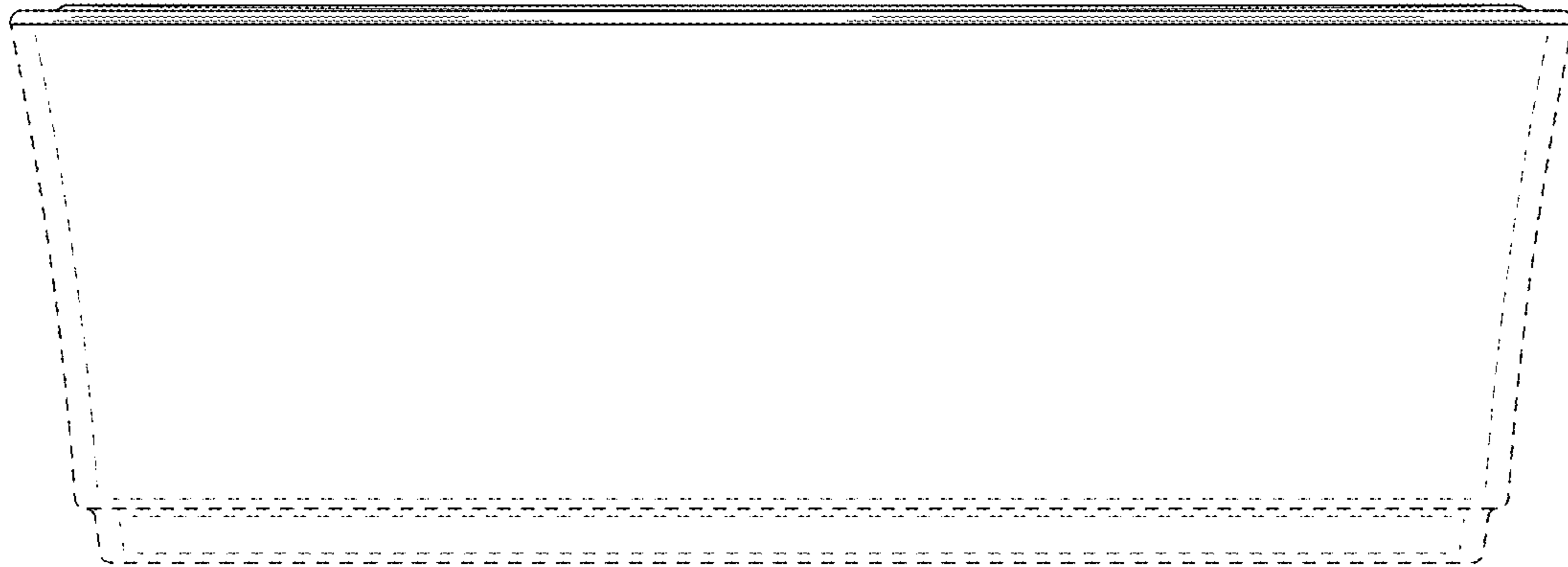


FIG. 2

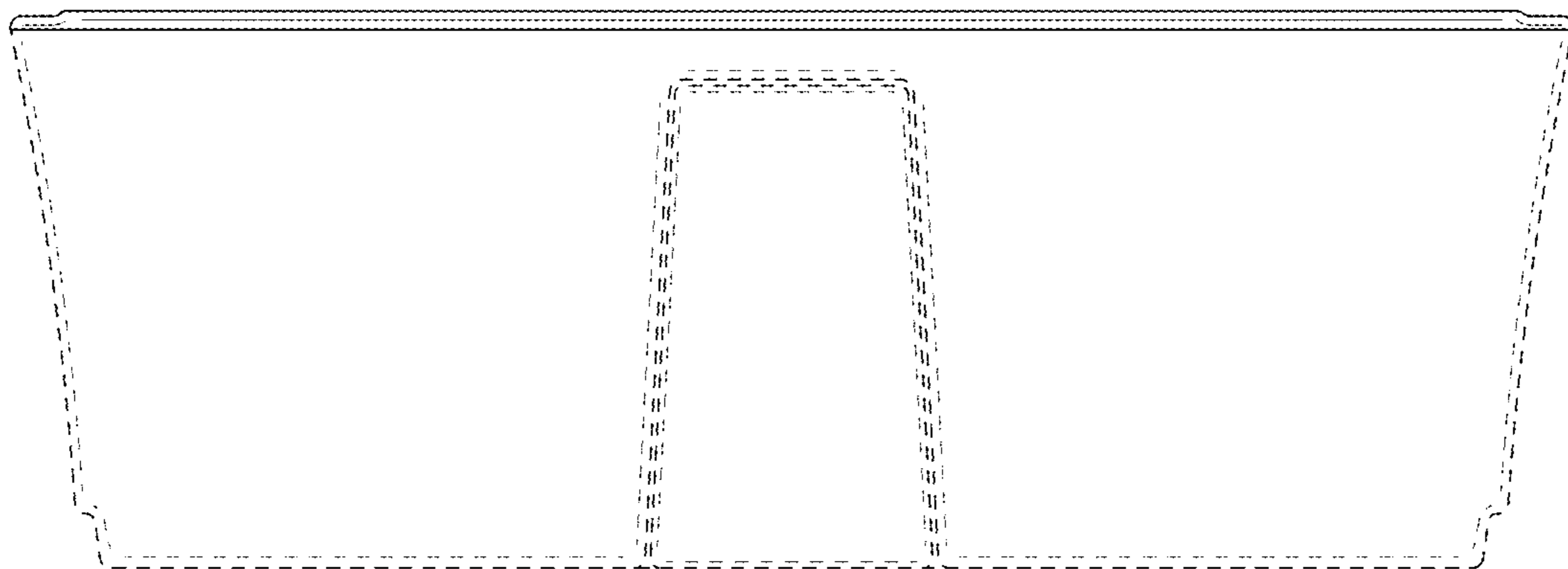


FIG. 3

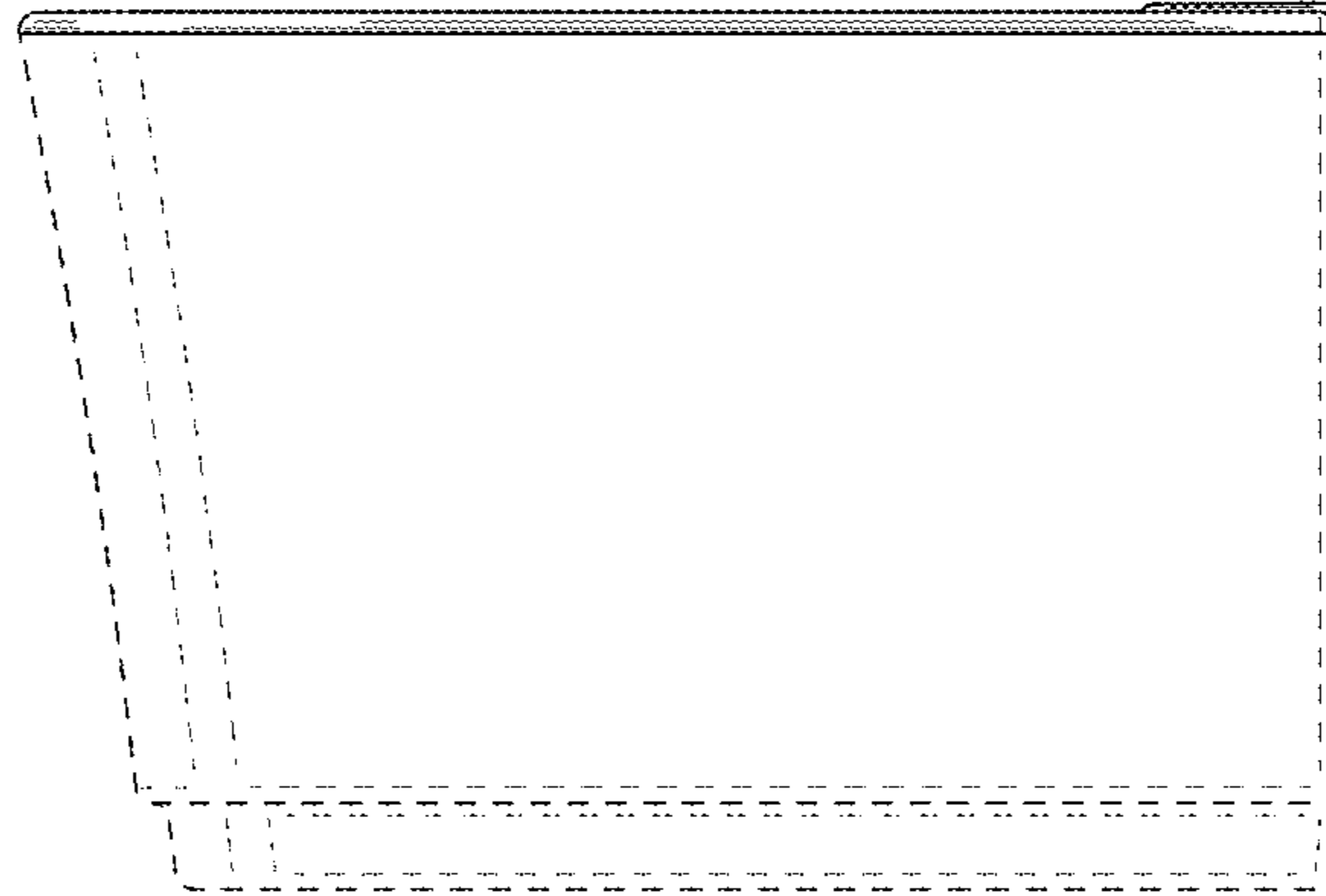


FIG. 4

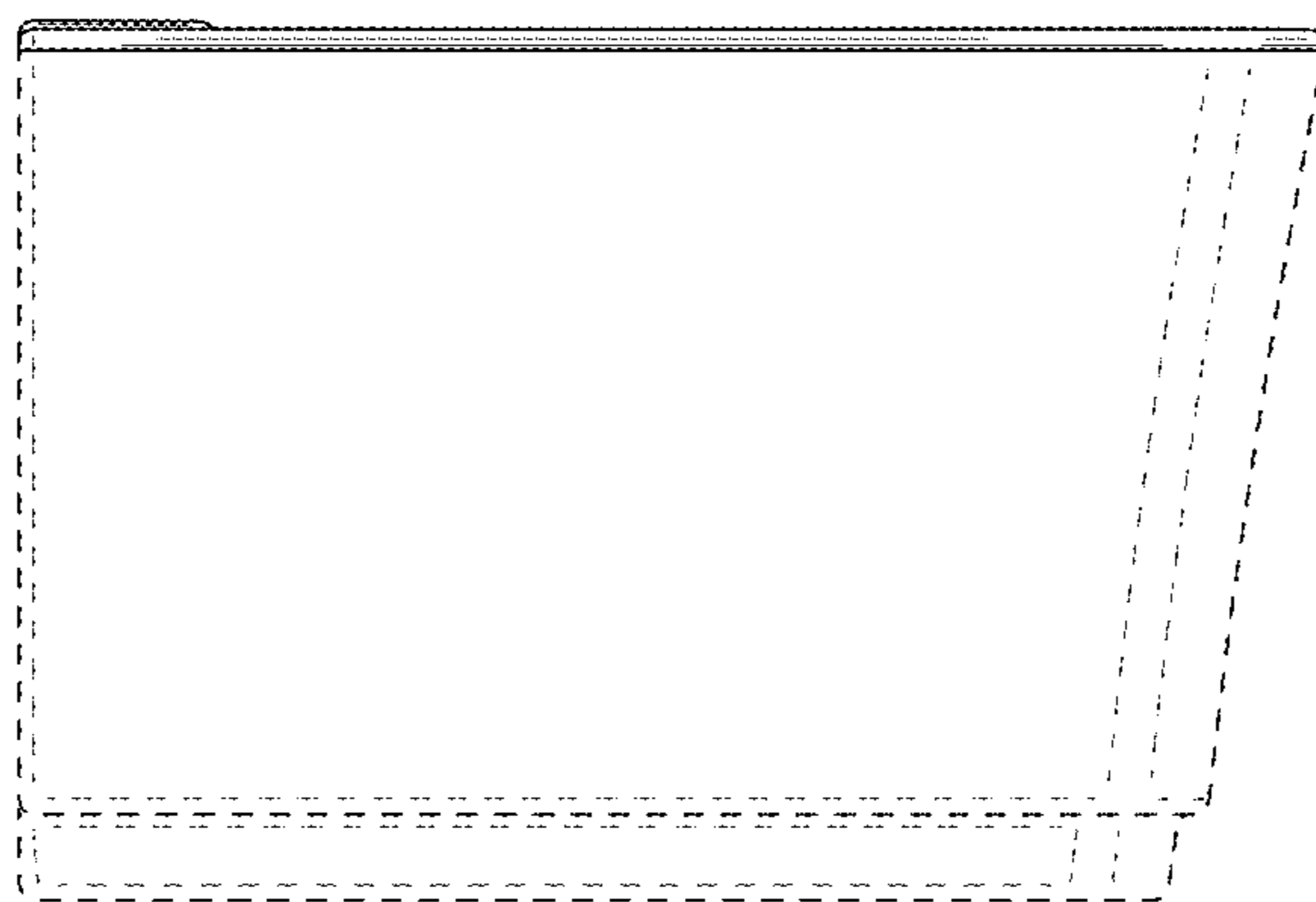


FIG. 5



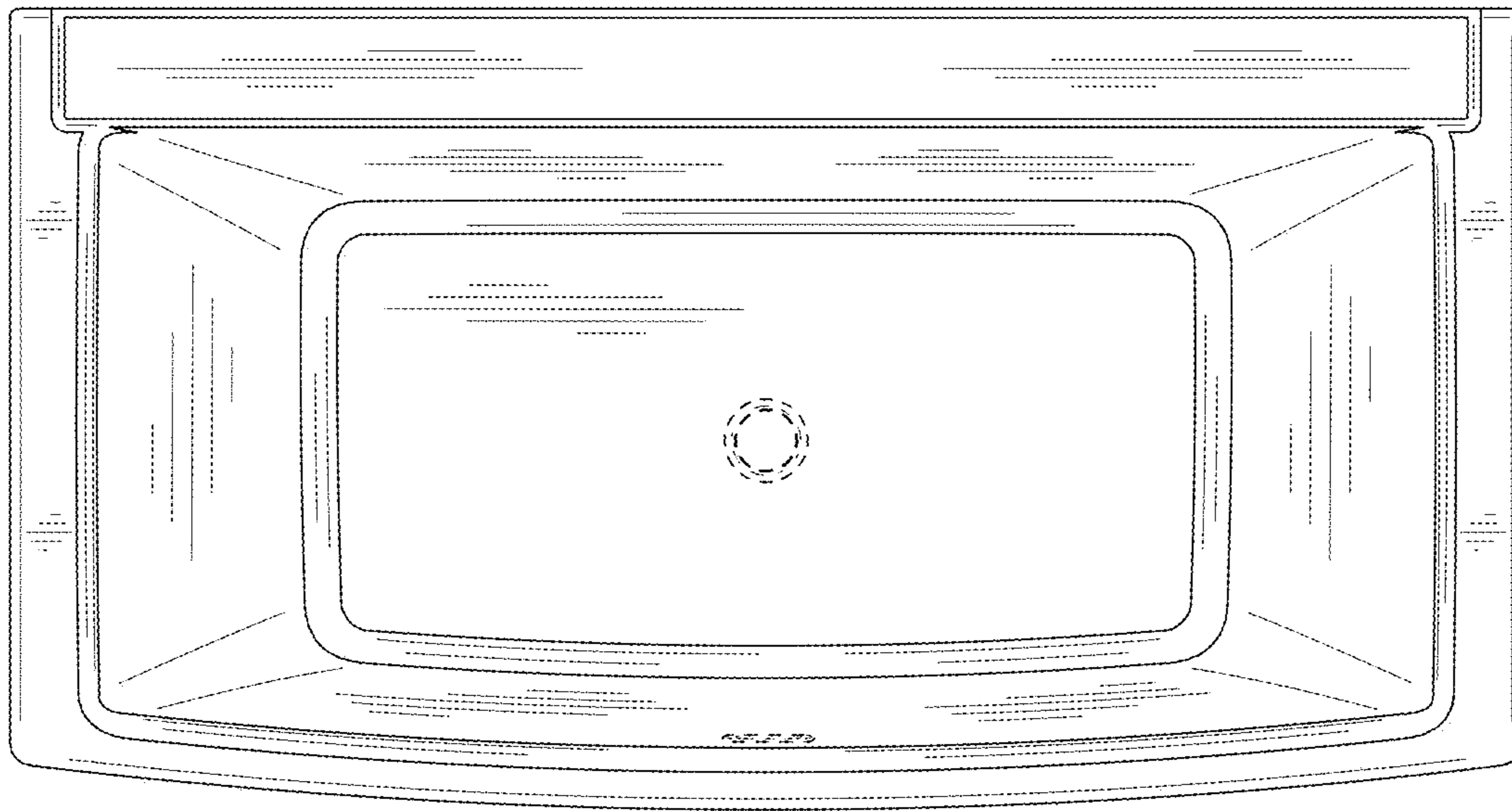


FIG. 6

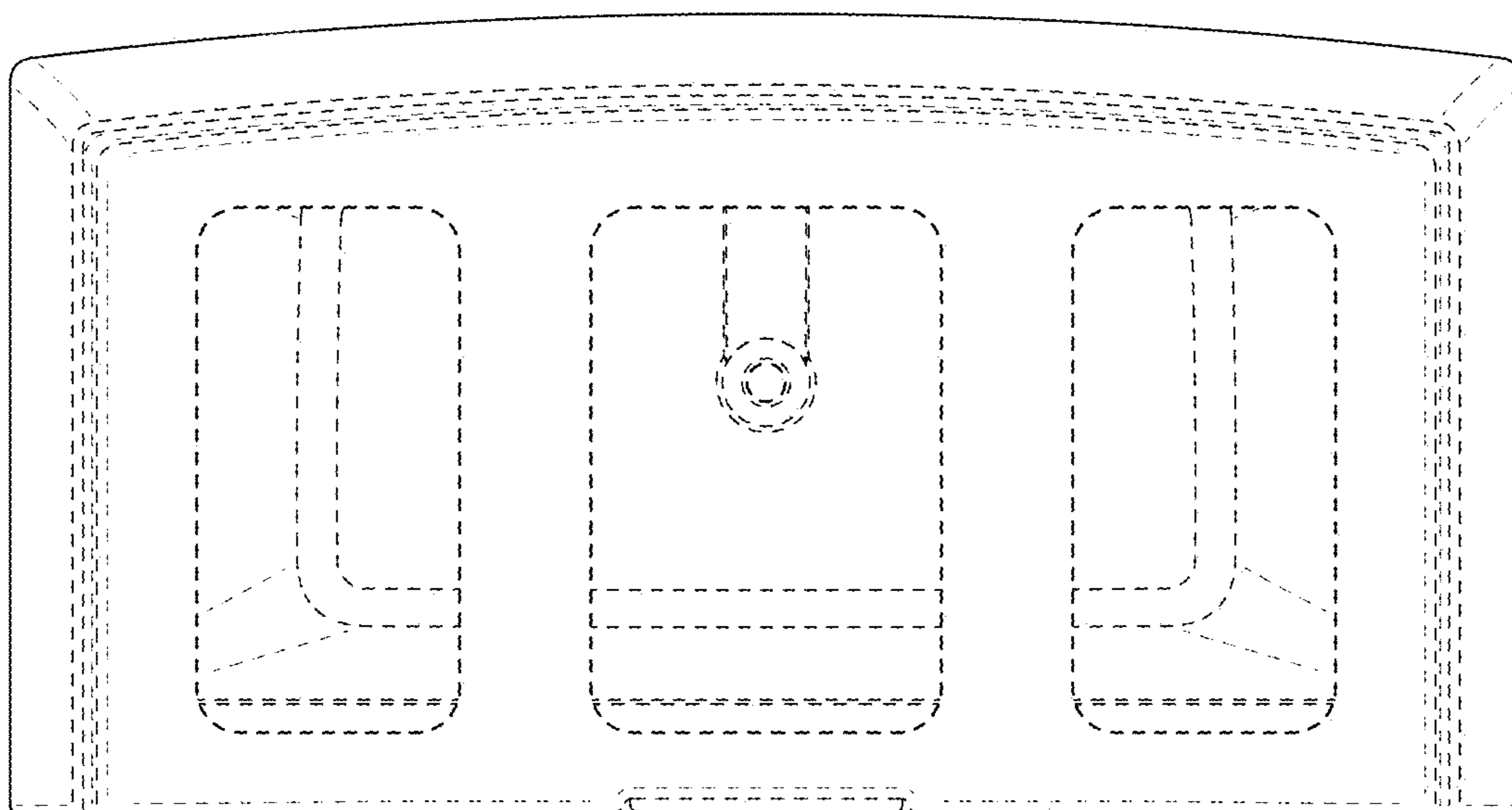


FIG. 7