



US00D938559S

(12) **United States Design Patent** (10) **Patent No.:** **US D938,559 S**
Flaig et al. (45) **Date of Patent:** **** Dec. 14, 2021**

(54) **SINK AND MIRROR ASSEMBLY**

FOREIGN PATENT DOCUMENTS

(71) Applicant: **Hansgrohe SE**, Schiltach (DE)

CN 301932045 5/2012
CN 302515418 7/2013

(72) Inventors: **Marco Flaig**, Stuttgart (DE); **Matthias Oesterle**, Winterbach (DE)

(Continued)

(73) Assignee: **Hansgrohe SE**, Schiltach (DE)

OTHER PUBLICATIONS

(**) Term: **15 Years**

DIY Sunrise Mirror [online], [site visited Jul. 29, 2020]. Available from internet, URL:<<https://www.woodshopdiaries.com/diy-sunrise-mirror-a-project-born-from-laziness/>> (Year: 2016).*

(21) Appl. No.: **29/704,457**

(Continued)

(22) Filed: **Sep. 5, 2019**

Primary Examiner — Cynthia Ramirez

Assistant Examiner — Xavier Marti-Santos

(30) **Foreign Application Priority Data**

(74) *Attorney, Agent, or Firm* — Lora J. Graentzdoerffer

Mar. 8, 2019 (EM) 006293734-0023

(51) **LOC (13) Cl.** **23-02**

(57) **CLAIM**

(52) **U.S. Cl.**

The ornamental design for a sink and mirror assembly, as shown and described.

USPC **D23/284**

(58) **Field of Classification Search**

DESCRIPTION

USPC D6/300, 301, 302, 303, 304, 307, 308,
D6/309, 310, 311, 312, 313, 314, 444,
D6/642, 633, 664.1, 671, 671.3, 655;
D23/284, 286, 287, 272-274, 303, 308;
D26/56; D19/1, 4, 5, 6; D5/9, 10, 63,
D5/64

FIG. 1 is a perspective view of a sink and mirror assembly showing our design;
FIG. 2 is a front elevation view;
FIG. 3 is a rear elevation view;
FIG. 4 is a right side elevation view;
FIG. 5 is a left side elevation view;
FIG. 6 is a top plan view;
FIG. 7 is a bottom plan view;
FIG. 8 is an enlarged detail section view of FIG. 1; and,
FIG. 9 is an enlarged detail section view of FIG. 2.

CPC E03C 2201/90; E03C 1/33; E03C 1/18;
E03C 1/32; A47B 2220/03; A47B 77/06;
A47B 67/005; A47B 67/02; A47G 1/16;
A47G 1/00; A47G 1/02; A47G 1/0616

See application file for complete search history.

The broken-line disclosures in the views represent portions of the sink and mirror assembly in which the claimed design is embodied, which form no part of the claimed design. The additional broken lines are demarcating the enlarged areas and form no part of the claimed design.

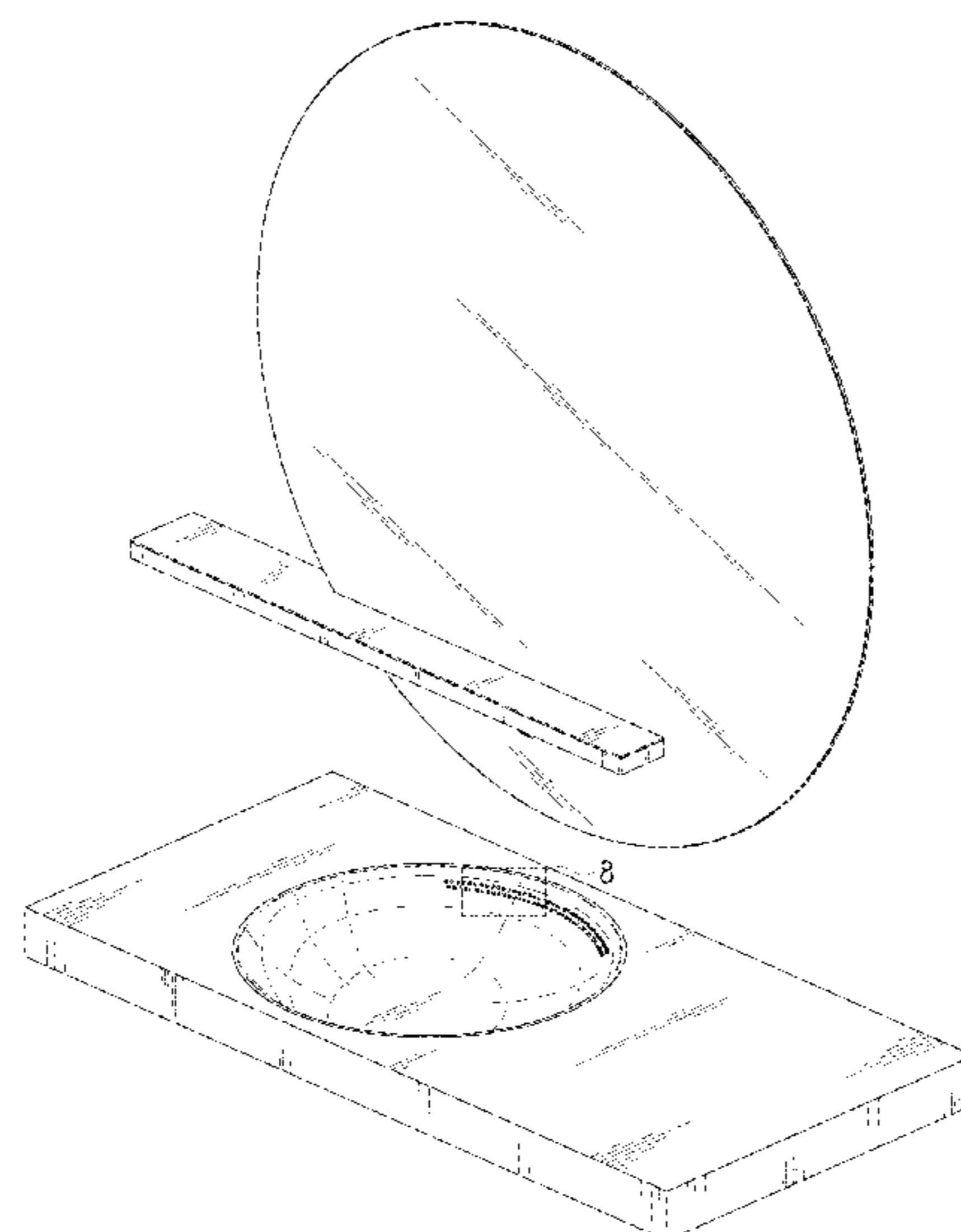
(56) **References Cited**

1 Claim, 9 Drawing Sheets

U.S. PATENT DOCUMENTS

D430,274 S * 8/2000 Marshall D23/284
D483,574 S * 12/2003 Wanek D6/309
D486,895 S * 2/2004 Brooks D23/308
D488,626 S * 4/2004 Kruger D6/309
D521,130 S * 5/2006 Mayer D23/293.1

(Continued)



(56)

References Cited

U.S. PATENT DOCUMENTS

D553,387 S	*	10/2007	Soressi	D6/662
D554,421 S	*	11/2007	Sheppard	D6/574
D566,974 S	*	4/2008	Lee	D6/300
D598,992 S		8/2009	Aso et al.	
D699,823 S	*	2/2014	Newson	D23/284
D724,710 S	*	3/2015	Clarke	D23/293.1
D727,478 S	*	4/2015	Mayer	D23/286
D743,515 S	*	11/2015	LeTourneau	D23/284
D867,553 S	*	11/2019	Kergoet	D23/284
D923,946 S	*	7/2021	Flaig	D6/309

FOREIGN PATENT DOCUMENTS

CN		302557320		9/2013
CN		304190169		6/2017
CN		304330584		10/2017
CN		305112718	*	10/2018
CN		304930823		12/2018

CN		305126191		4/2019
EM		004076461-0014	*	6/2017
EM		006584769-0001		7/2019

OTHER PUBLICATIONS

Kohler Bachata Undermount Stainless Steel Bathroom Sink with Luster [online], [site visited Jul. 29, 2020]. Available from internet, URL:<<https://www.homedepot.com/p/KOHLER-Bachata-Undermount-Stainless-Steel-Bathroom-Sink-in-Stainless-Steel-with-Luster-K-2609-SU-NA/206263427>> (Year: 2018).*

Anah Round Metal Mirror with Wood Shelf Combo [online], [site visited Jul. 28, 2020]. Available from internet, URL:<<https://www.overstock.com/Home-Garden/Anah-Round-Metal-Mirror-with-Wood-Shelf-Combo-Gunmetal/26890491/product.html>> (Year: 2019).*

TOTO Dartmouth 18³/₄"x13³/₄" Oval Undermount Bathroom Sink [online], [site visited Jul. 29, 2020]. Available from internet, URL:<<https://www.walmart.com/ip/TOTO-Dartmouth-18-3-4-x-13-3-4-Oval-Undermount-Bathroom-Sink-Cotton-White-LT641-01/21730400>> (Year: 2020).*

* cited by examiner

FIG. 1

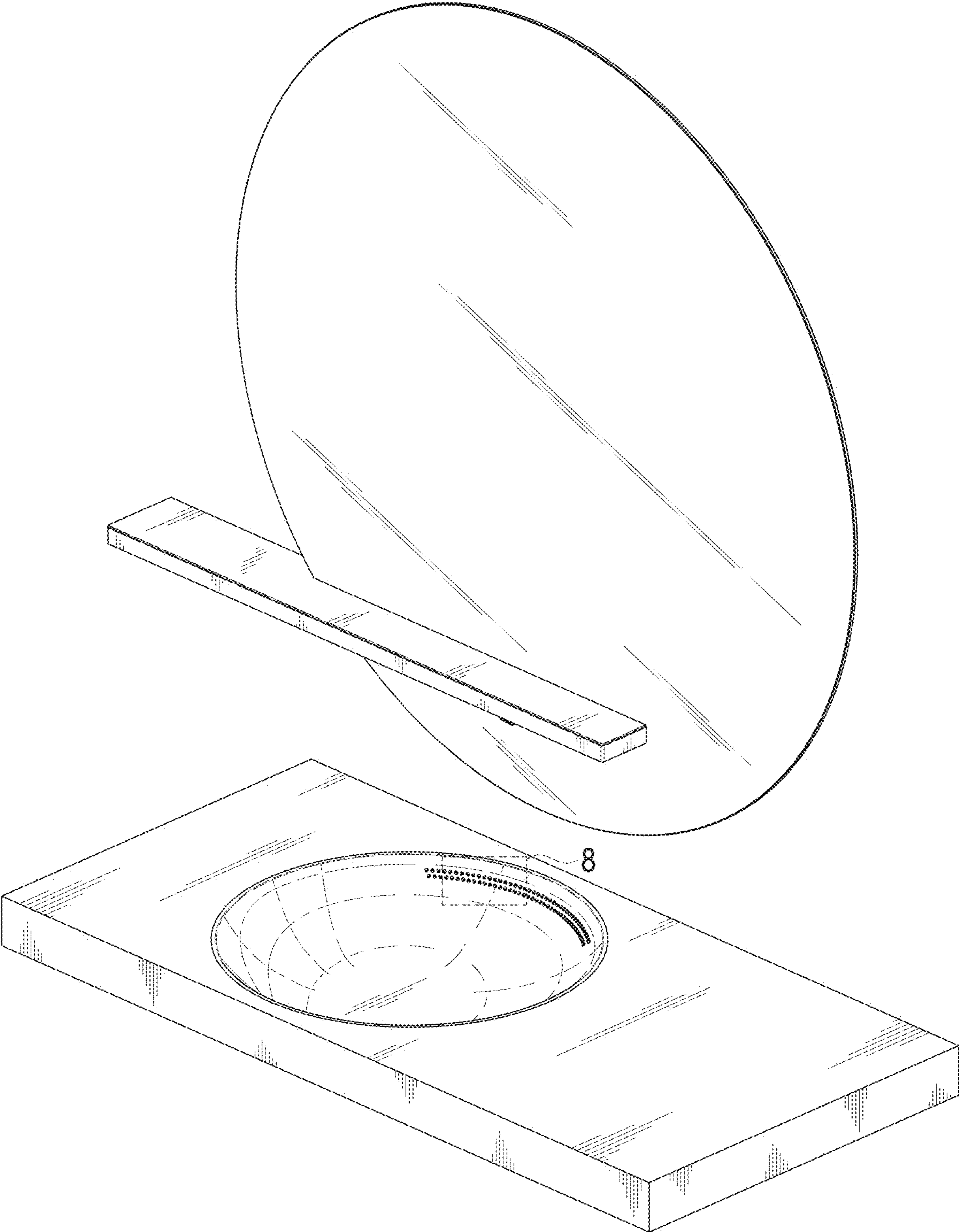


FIG. 2

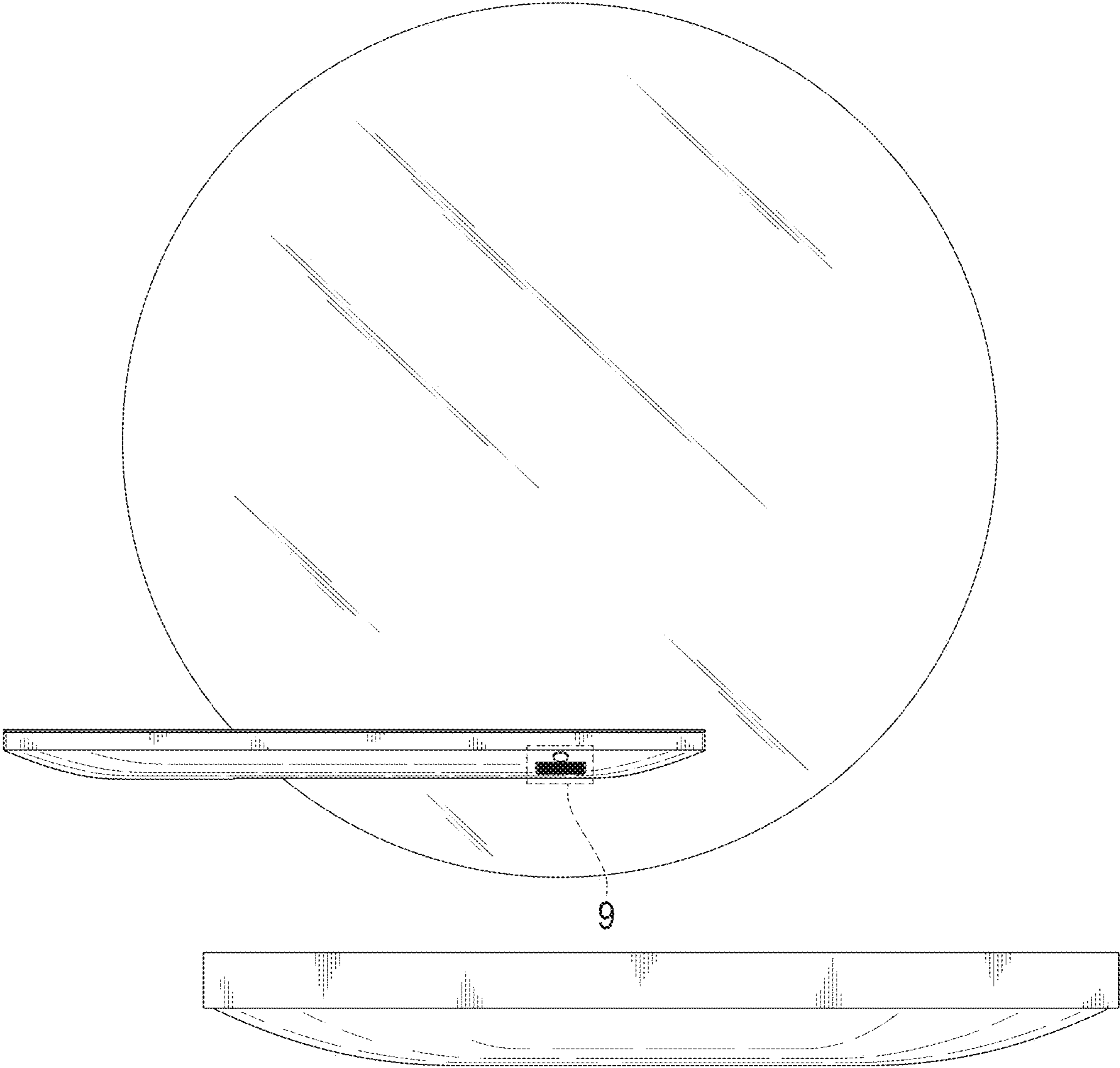


FIG. 3

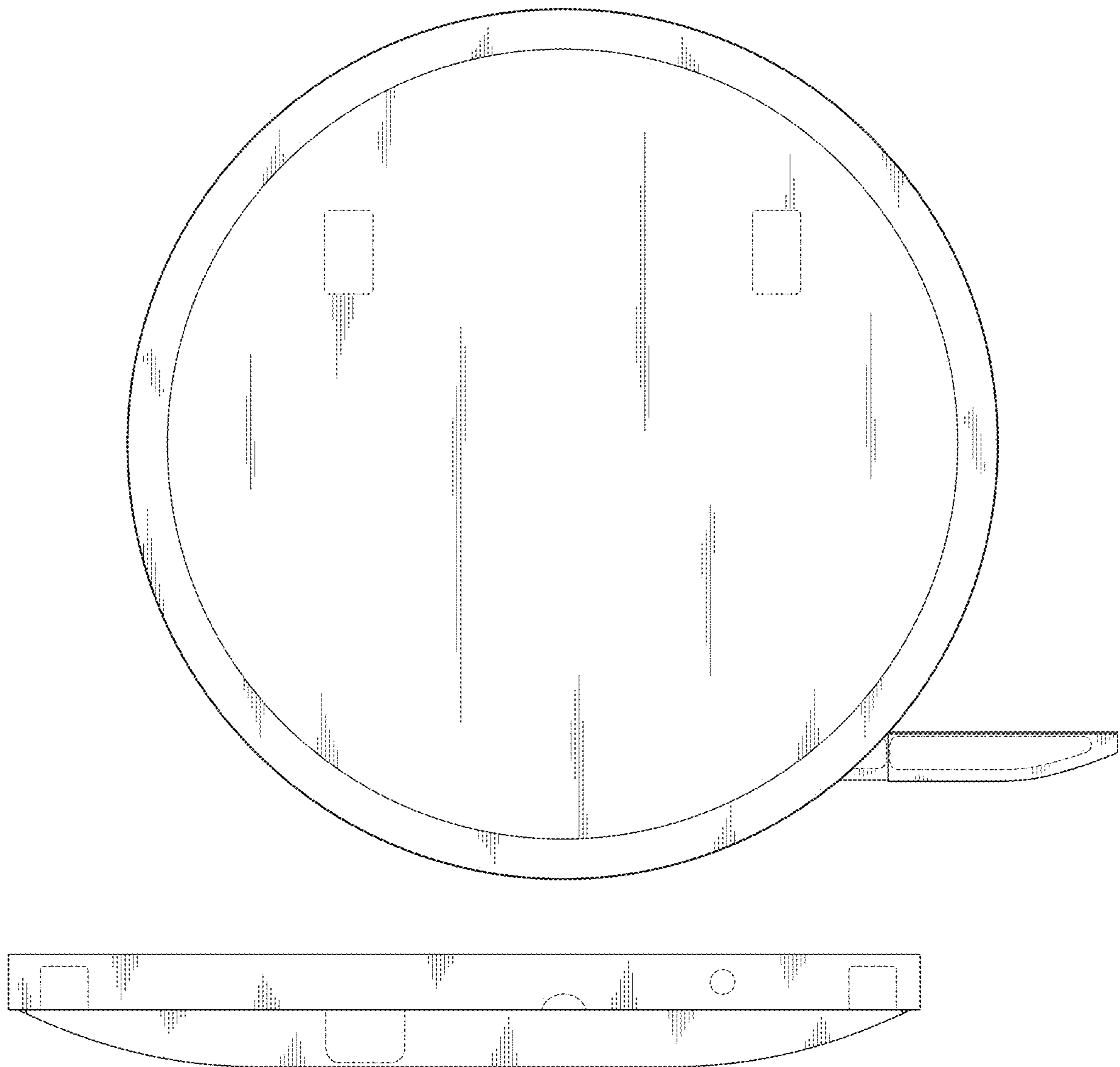


FIG. 4

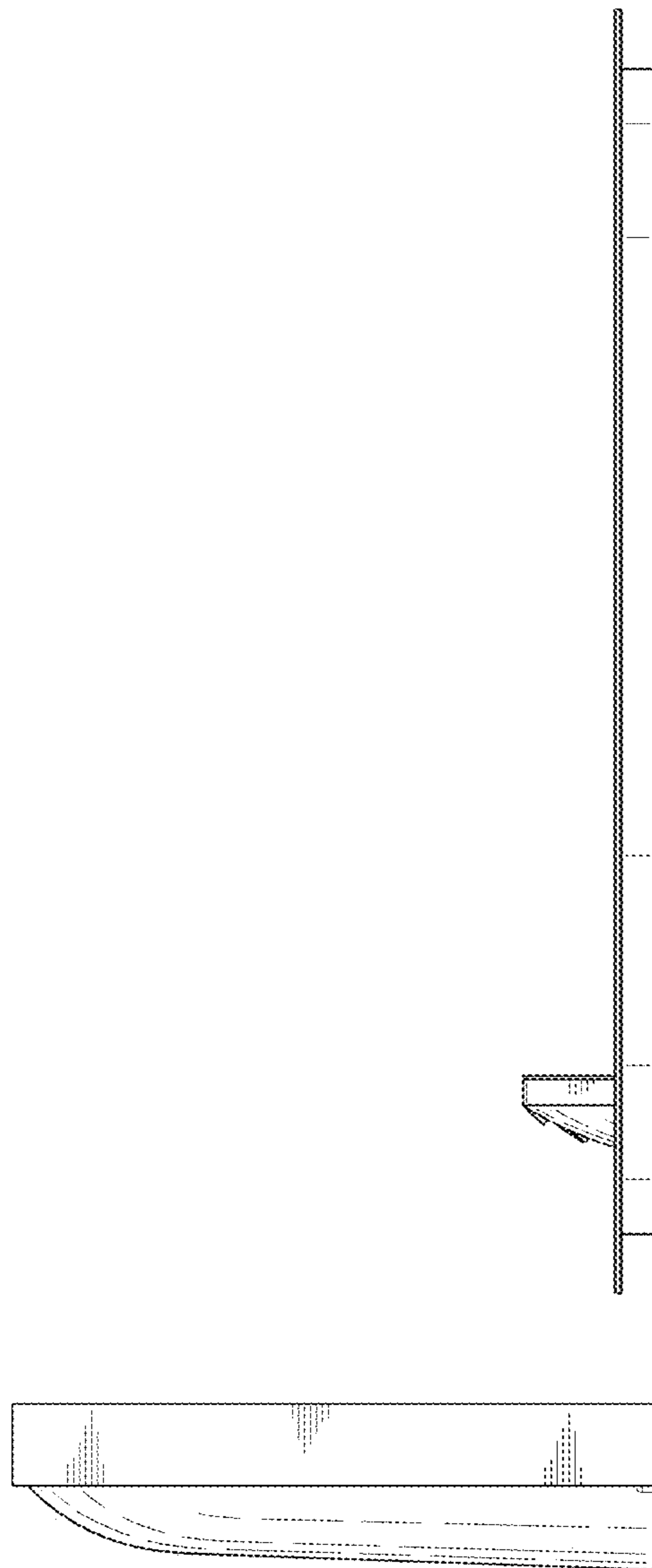


FIG. 5

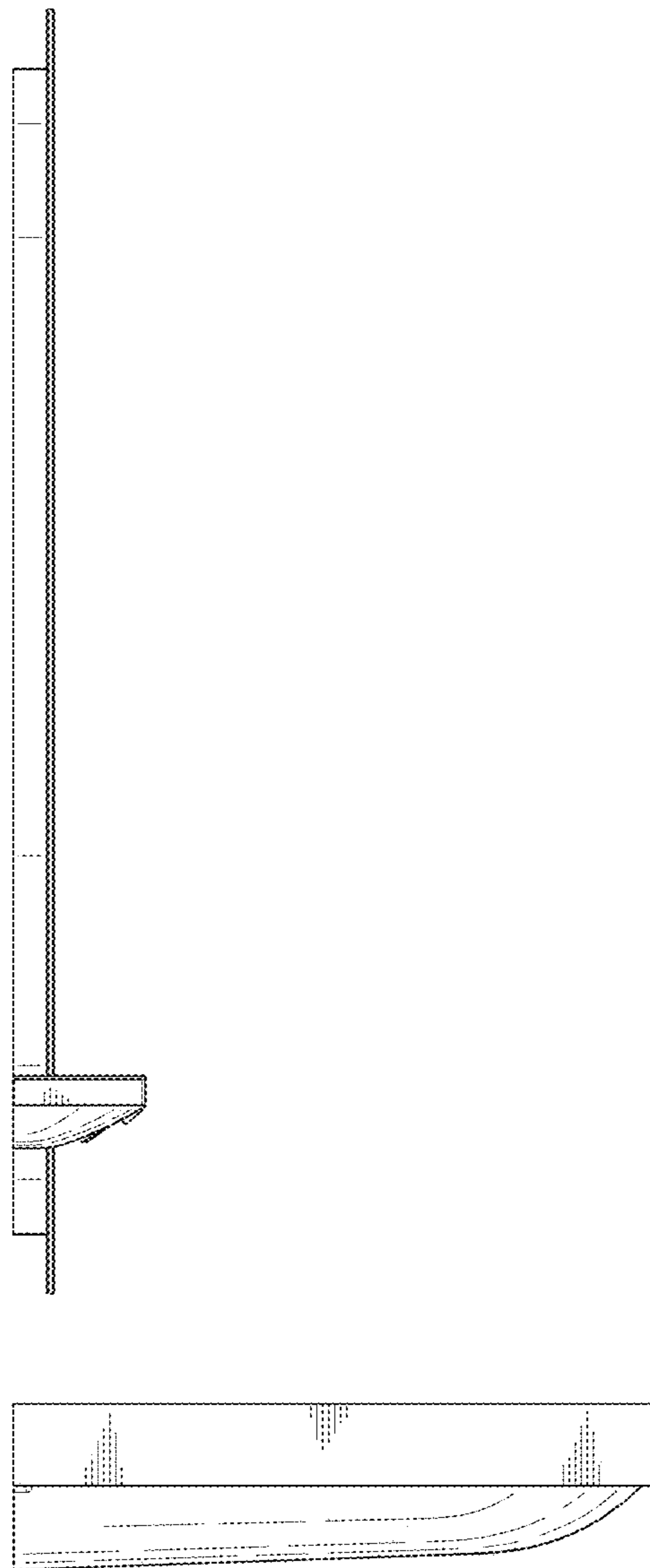


FIG. 6

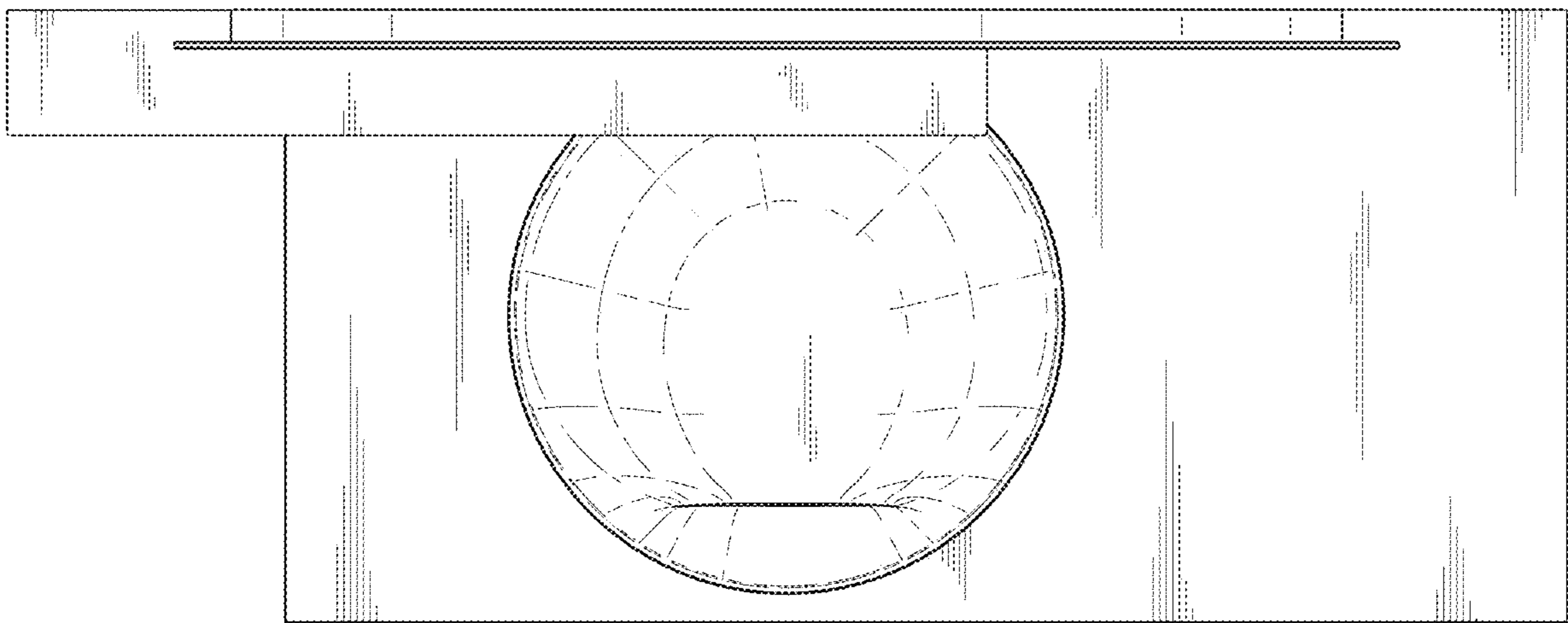


FIG. 7

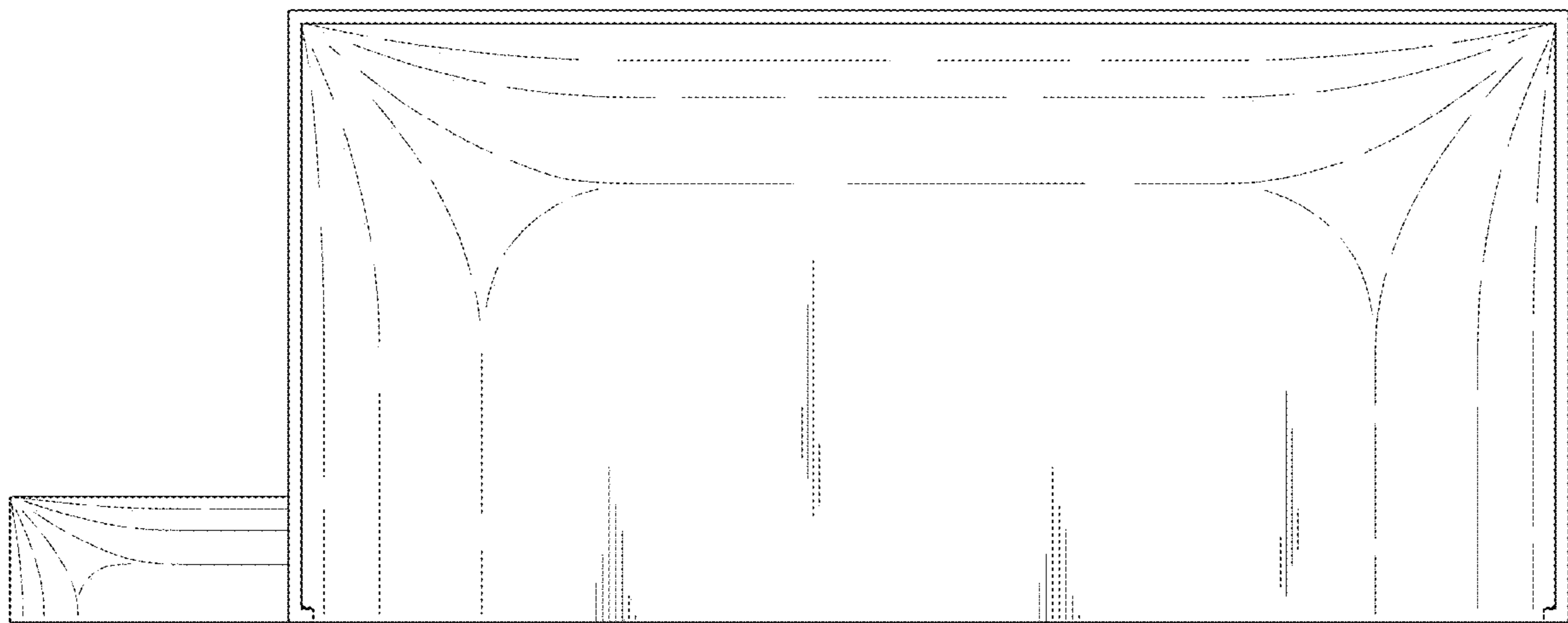


FIG. 8

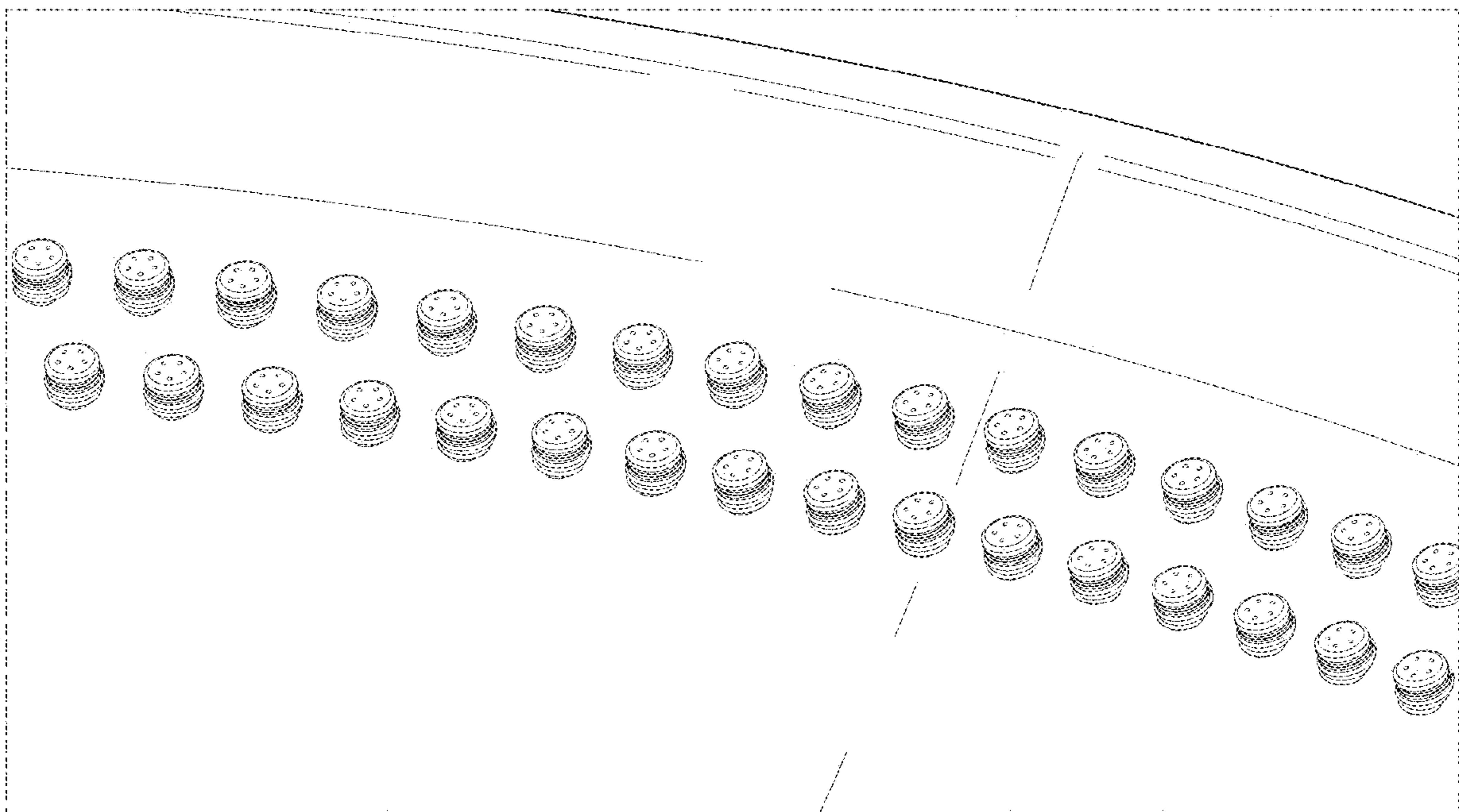


FIG. 9

