



US00D938557S

(12) **United States Design Patent** (10) **Patent No.:** **US D938,557 S**  
**Duncan et al.** (45) **Date of Patent:** **\*\* Dec. 14, 2021**

(54) **COUPLING**

(71) Applicant: **Aalberts integrated piping systems Americas, Inc.**, Matthews, NC (US)

(72) Inventors: **Patrick W. Duncan**, Marshville, NC (US); **Daniel Foster**, Troutman, NC (US); **Jorden Hardzinski**, Peachland, NC (US); **Julie Howell**, Indian Trail, NC (US); **Matthew Williams**, Charlotte, NC (US); **Phillip Yontz**, Rock Hill, SC (US)

(73) Assignee: **Aalberts integrated piping systems APAC Inc.**, Pintung (TW)

(\*\*) Term: **15 Years**

(21) Appl. No.: **29/747,366**

(22) Filed: **Aug. 21, 2020**

**Related U.S. Application Data**

(63) Continuation of application No. 16/852,989, filed on Apr. 20, 2020.

(51) **LOC (13) Cl.** ..... **23-01**

(52) **U.S. Cl.**  
USPC ..... **D23/262**

(58) **Field of Classification Search**  
USPC ..... D23/259, 262–265; D8/394–396;  
285/411  
See application file for complete search history.

(56) **References Cited**

**U.S. PATENT DOCUMENTS**

29,731 A 8/1860 Truss  
D142,057 S \* 8/1945 Baxter ..... D23/265  
3,251,615 A 5/1966 Short, III  
3,362,730 A 1/1968 Clair et al.  
3,423,111 A 1/1969 Elsner

4,311,248 A 1/1982 Westerlund et al.  
4,471,979 A 9/1984 Gibb et al.  
4,702,499 A 10/1987 Deraymond et al.  
5,207,459 A 5/1993 Glover  
5,375,888 A 12/1994 Ikeda  
5,904,325 A 5/1999 Hung  
6,095,197 A 8/2000 Kane  
6,170,884 B1 \* 1/2001 McLennan ..... F16L 17/04  
285/112

(Continued)

**FOREIGN PATENT DOCUMENTS**

AR 095474 A1 10/2015  
CN 2352801 Y 12/1999

(Continued)

**OTHER PUBLICATIONS**

“A New Pipeline Connection Technology—A Hoop Connection, Chinese Academic Journal Electronic”, vol. 164, Jun. 2000, 5 pages.

(Continued)

*Primary Examiner* — Amy C Wierenga

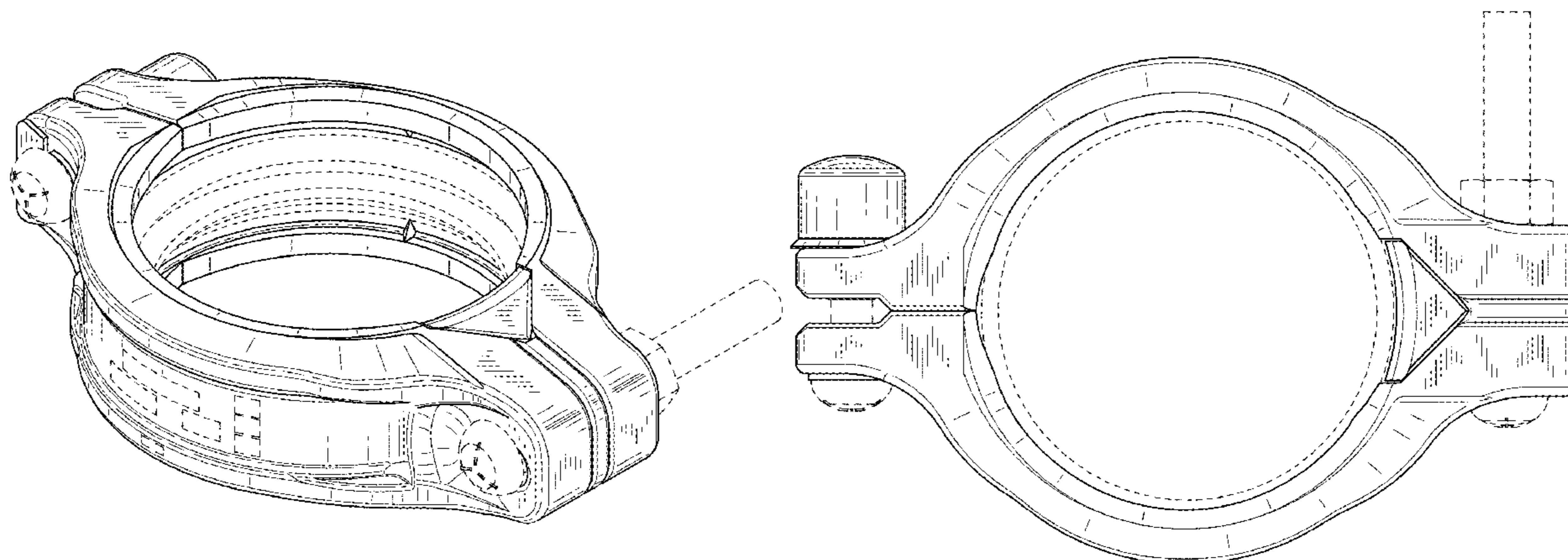
(57) **CLAIM**

The ornamental design for a coupling, as shown and described.

**DESCRIPTION**

FIG. 1 is a perspective view of a coupling;  
FIG. 2 is a front view thereof;  
FIG. 3 is a rear view thereof;  
FIG. 4 is a right side view thereof;  
FIG. 5 is a left side view thereof;  
FIG. 6 is top plan view thereof; and,  
FIG. 7 is a bottom plan view thereof.  
The broken lines shown in the drawings illustrate portions of the coupling that form no part of the claim.

**1 Claim, 5 Drawing Sheets**



(56)

References Cited

U.S. PATENT DOCUMENTS

6,227,577 B1 5/2001 Ikeda et al.  
 6,626,466 B1\* 9/2003 Dole ..... F16L 17/04  
 285/112  
 6,945,569 B1 9/2005 Diaz et al.  
 7,086,131 B2 8/2006 Gibb et al.  
 7,207,606 B2 4/2007 Owen et al.  
 7,296,451 B2 11/2007 Dole  
 D583,914 S\* 12/2008 Pierce ..... D23/262  
 7,510,033 B2 3/2009 Lutzhoeft et al.  
 7,516,636 B2\* 4/2009 Dole ..... B21D 17/04  
 72/105  
 7,665,773 B2 2/2010 Jones et al.  
 7,712,796 B2 5/2010 Gibb et al.  
 D629,072 S\* 12/2010 Madara ..... D23/262  
 D629,074 S\* 12/2010 Shah ..... D23/262  
 7,921,536 B2 4/2011 Dole  
 7,950,701 B2 5/2011 Dole et al.  
 8,177,263 B2 5/2012 Dole et al.  
 8,282,136 B2 10/2012 Vandal et al.  
 8,312,616 B2 11/2012 Dole et al.  
 8,424,918 B2\* 4/2013 Gibb ..... F16L 21/065  
 285/112  
 8,517,430 B2 8/2013 Dole et al.  
 8,550,502 B2 10/2013 Vandal et al.  
 8,615,865 B2 12/2013 Vandal et al.  
 8,621,741 B2 1/2014 Hagiya  
 8,646,165 B2 2/2014 Gibb et al.  
 8,646,814 B2\* 2/2014 Lippka ..... F16L 17/04  
 285/421  
 8,733,799 B2 5/2014 Gibb et al.  
 RE45,304 E 12/2014 Dole et al.  
 8,905,440 B2 12/2014 Hagiya  
 8,979,138 B2 3/2015 Dole et al.  
 9,239,123 B2 1/2016 Vandal et al.  
 9,297,482 B2 3/2016 Vandal et al.  
 9,500,307 B2 11/2016 Beagen, Jr.  
 9,534,715 B2 1/2017 Beagen, Jr.  
 9,726,310 B2 8/2017 Gibb et al.  
 9,746,119 B2 8/2017 Hagiya  
 9,770,796 B2 9/2017 Hagiya  
 D819,435 S\* 6/2018 Bancroft ..... D8/396  
 D820,074 S\* 6/2018 Huettemann ..... D8/394  
 10,036,493 B2 7/2018 Vandal et al.  
 10,047,885 B2 8/2018 Vandal et al.  
 10,458,579 B2 10/2019 Bowman et al.  
 10,627,025 B2 4/2020 Bowman et al.  
 11,060,639 B2\* 7/2021 Cuvo ..... F16L 23/024  
 2002/0014772 A1 2/2002 Amedure et al.  
 2002/0050363 A1 5/2002 Hagiya  
 2005/0242585 A1\* 11/2005 Dole ..... F16L 23/08  
 285/367  
 2007/0040336 A1\* 2/2007 Sun ..... F16L 21/065  
 277/608  
 2011/0146049 A1 6/2011 Hagiya  
 2011/0154646 A1 6/2011 Hagiya  
 2014/0096361 A1 4/2014 Hagiya  
 2015/0300549 A1 10/2015 Cheng-Sheng et al.  
 2015/0345679 A1 12/2015 Hagiya  
 2016/0040816 A1 2/2016 Cheng-Sheng et al.  
 2017/0328500 A1 11/2017 Bowman et al.

FOREIGN PATENT DOCUMENTS

CN 2374723 Y 4/2000  
 CN 2556454 Y 6/2003  
 CN 2597805 Y 1/2004  
 CN 1701196 A 11/2005  
 CN 1813150 A 8/2006  
 CN 1860323 A 11/2006  
 CN 1932363 A 3/2007  
 CN 201521732 U 7/2010  
 EP 0352018 A1 1/1990  
 EP 0398471 A1 11/1990  
 EP 0794379 A1 9/1997

EP 0926414 A2 6/1999  
 EP 2971924 A1 1/2016  
 GB 2189000 A 10/1987  
 GB 2229245 A 9/1990  
 GB 2355293 A 4/2001  
 JP 59-42389 U 3/1984  
 JP 62-30084 A 2/1987  
 JP 2003-42360 A 2/2003  
 TW 013650 9/1973  
 TW 069339 8/1985  
 TW 075044 2/1986  
 TW 093483 11/1987  
 TW 177610 1/1992  
 TW 233749 11/1994  
 TW 263044 11/1995  
 TW 302063 U 4/1997  
 TW 359735 B 6/1999  
 TW 360356 U 6/1999  
 TW 375232 U 11/1999  
 TW 383828 U 3/2000  
 TW 420269 U 1/2001  
 TW 453414 U 9/2001  
 TW 461945 B 11/2001  
 TW 463021 B 11/2001  
 TW 509302 U 11/2002  
 TW 521136 B 2/2003  
 TW 576136 U 2/2004  
 TW M245346 U 10/2004  
 TW 1227310 B 2/2005  
 TW 200600711 A 1/2006  
 TW 200606365 A 2/2006  
 TW 200606366 A 2/2006  
 TW 200607947 A 3/2006  
 TW 200607948 A 3/2006  
 TW 200712366 A 4/2007  
 TW M376675 U 3/2010  
 TW 201111671 A 4/2011  
 WO 2014/151076 A1 9/2014

OTHER PUBLICATIONS

File History of Reexam U.S. Appl. No. 90/012,060, filed Dec. 16, 2011 (now U.S. Pat. No. 7,950,701 C1, granted Sep. 4, 2012), 274 pages.  
 “File History of U.S. Appl. No. 13/415,086”, Dec. 30, 2014, 406 pages.  
 IPR2016-00276 (U.S. Pat. No. 8,733,799) *Tyco Fire Products LP v. Victaulic Co.*, 268 pages.  
 IPR2016-00278 (U.S. Pat. No. 8,646,165), *Tyco Fire Products LP v. Victaulic Co.*, 368 pages.  
 IPR2016-00279 (U.S. Pat. No. 8,646,165) *Tyco Fire Products LP v. Victaulic Co.*, 360 pages.  
 Pipeline Connection Sealing Device, Chinese Academic Journal Electronic, Sep. 2000, 2 pages.  
 Shurjoint Piping Products, 2006 General Catalog, 2006, 9 pages.  
 Shurjoint Piping Products General Catalog, 2005, 3 pages.  
 Shurjoint Product Catalog, 2018, 5 pages.  
 Tyco Fire Building Products, Grinnell Mechanical Products, 2008, 11 pages.  
 Tyco Fire Building Products, Grinnell 2007—Grooved Fire Protection Installation Manual, IH-1000FP, Aug. 2007, 11 pages.  
 Victaulic Brochure, 5 pages.  
 Victaulic Product Catalog (English Translation), 10 pages.  
 Victaulic, “Couplings and Fittings for JIS Pipe”, JIS Steel Pipe Grooved Couplings and Fittings, Jun. 17, 2002, 4 pages.  
 Victaulic, “Gasket Selection Guide”, Revised Jun. 2001, 3 pages.  
 Victaulic, “IPS Carbon Steel Pipe Grooved Couplings”, Jun. 4, 1999, 2 pages.  
 Victaulic, “Plain End Piping System for High Density Polyethylene Pipe”, IPS High Density Poly. Pipe—Plain End Pipin G System, Jan. 19, 1997, 1 page.  
 Victaulic, “Style 005 Firelock Rigid Coupling”, IPS Carbon Steel Pipe Fire Protection Products, Oct. 2, 1999, 2 pages.  
 Victaulic, “Style 22 Vic-Ring® Coupling”, Vic-Ring—Applied Ring System, Feb. 16, 2005, 2 pages.

(56)

**References Cited**

OTHER PUBLICATIONS

Victaulic, "Style 44 Vic-Ring® Coupling", Vic-Ring—Applied Ring System, May 16, 2005, 3 pages.

Victaulic, "Style 995 Coupling for HDPE Pipe", IPS High Density Poly. Pipe—Plain End Piping System, Feb. 19, 2001, 2 pages.

Victaulic Co. v., "Andrei Iancu 2017-2424, 2017-2426", Nov. 29, 2018, 11 pages.

Victaulic, "Anatomy of a Grooved Pipe Joint", Apr. 1, 2005, 4 pages.

Victaulic, "Coupling for Copper Tubing Style 606", CTS Copper Tubing—Grooved Couplings, Feb. 22, 2006, 4 pages.

Victaulic, "Roll Grooved Pipe Technical Data", Grooved Piping System—Design Data, Aug. 26, 2009, 4 pages.

\* cited by examiner

FIG. 1

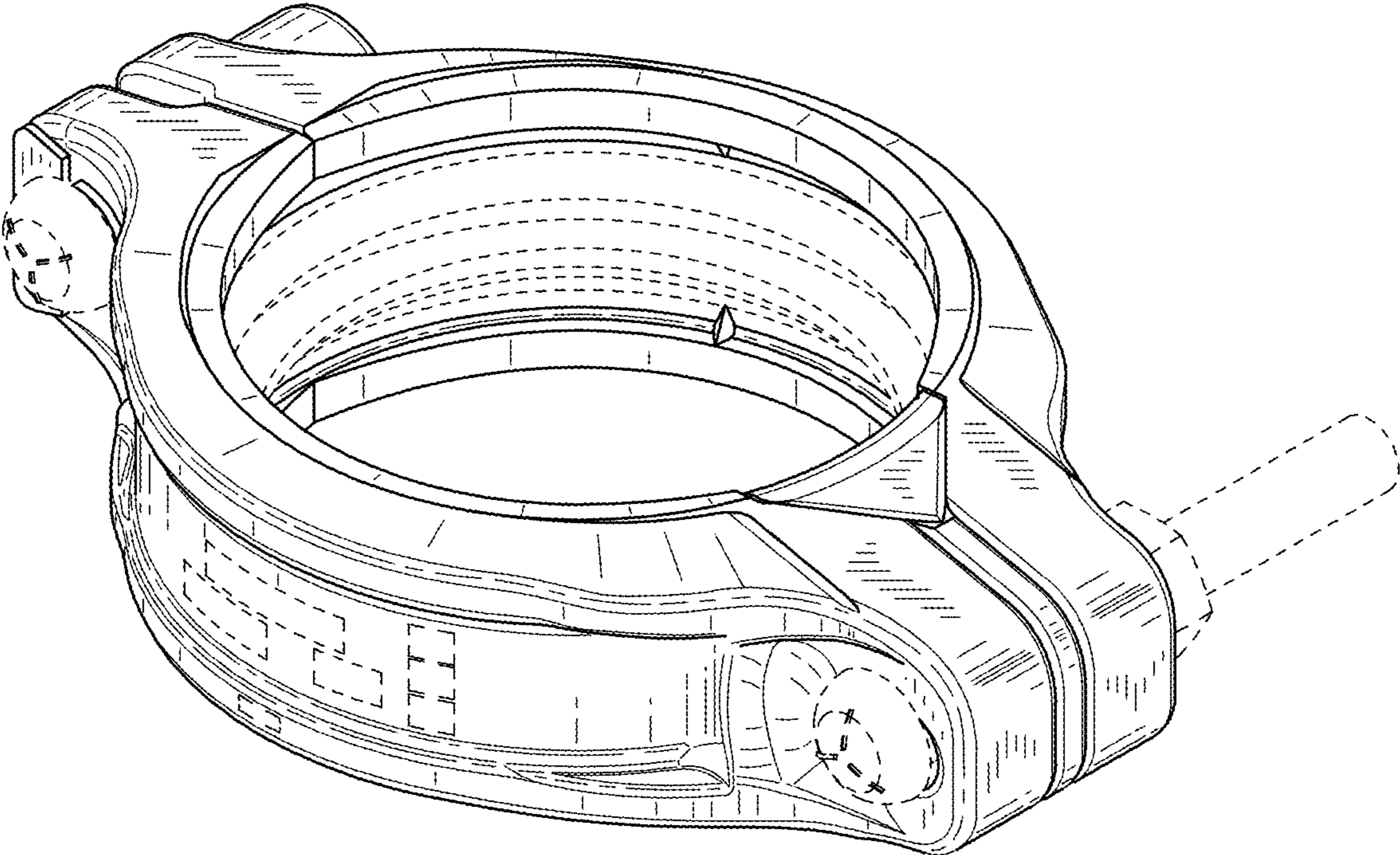


FIG. 2

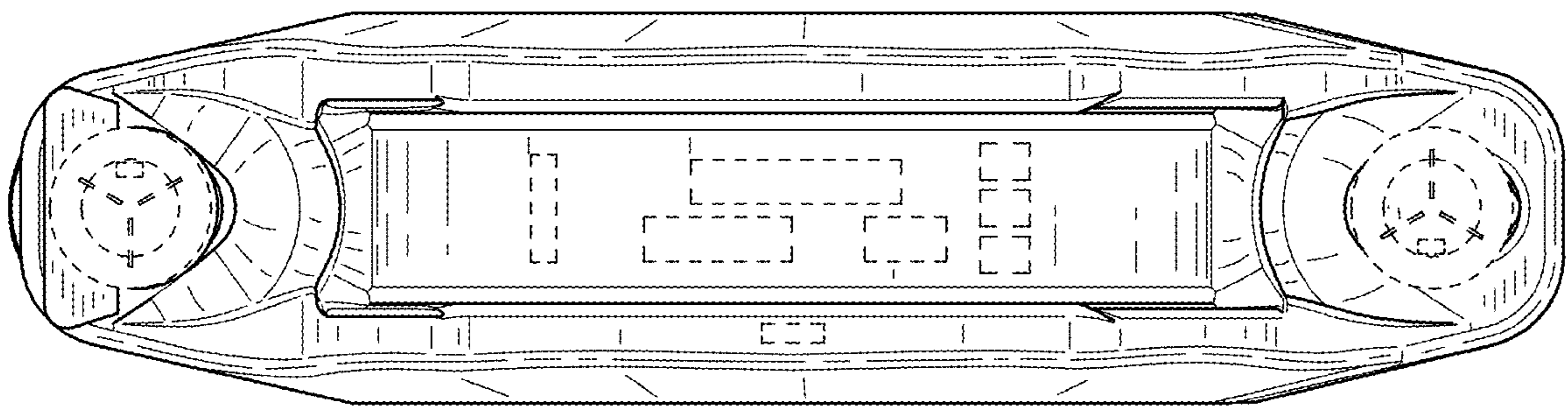


FIG. 3

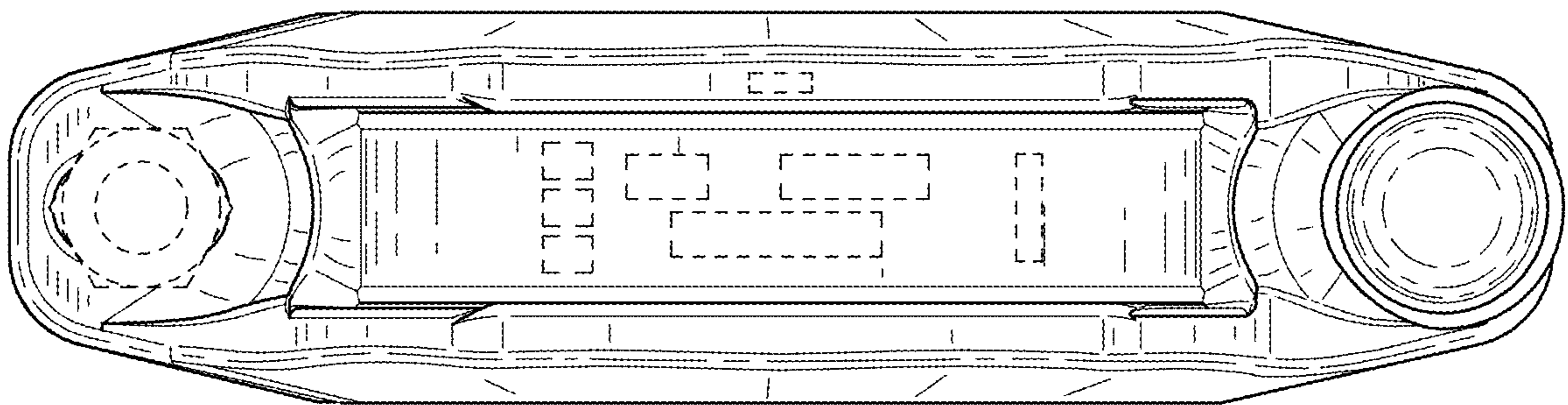


FIG. 4

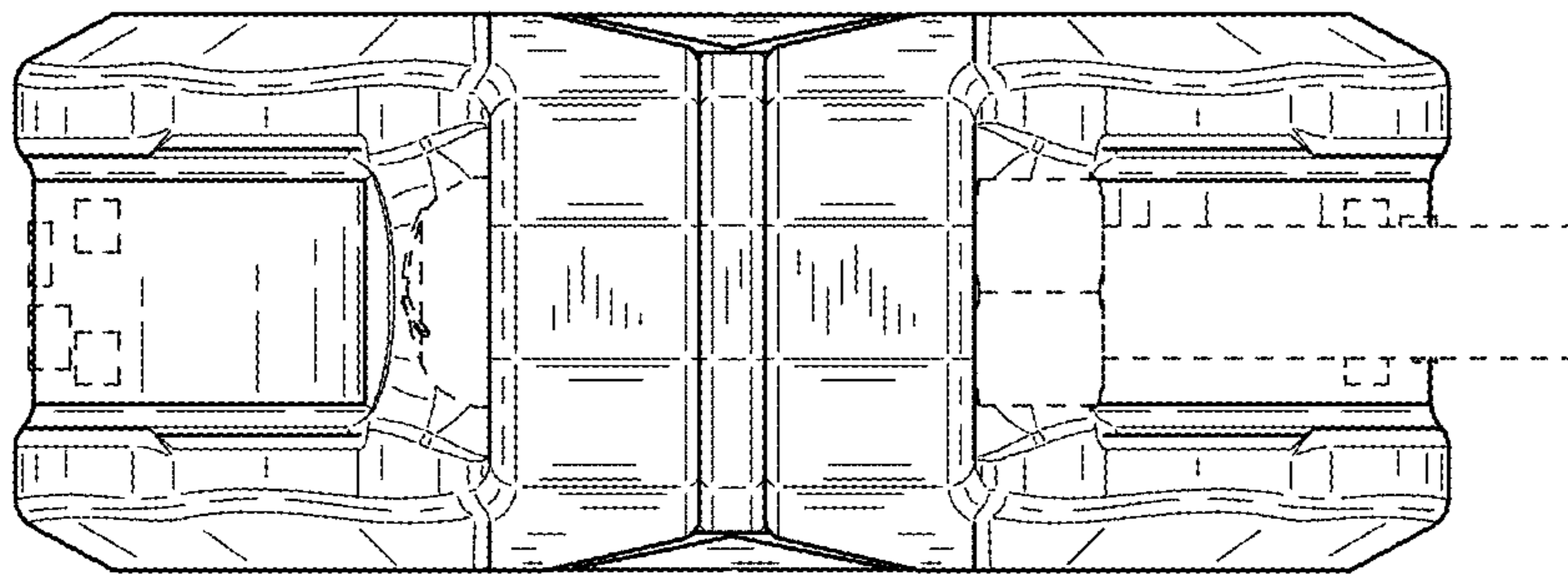


FIG. 5

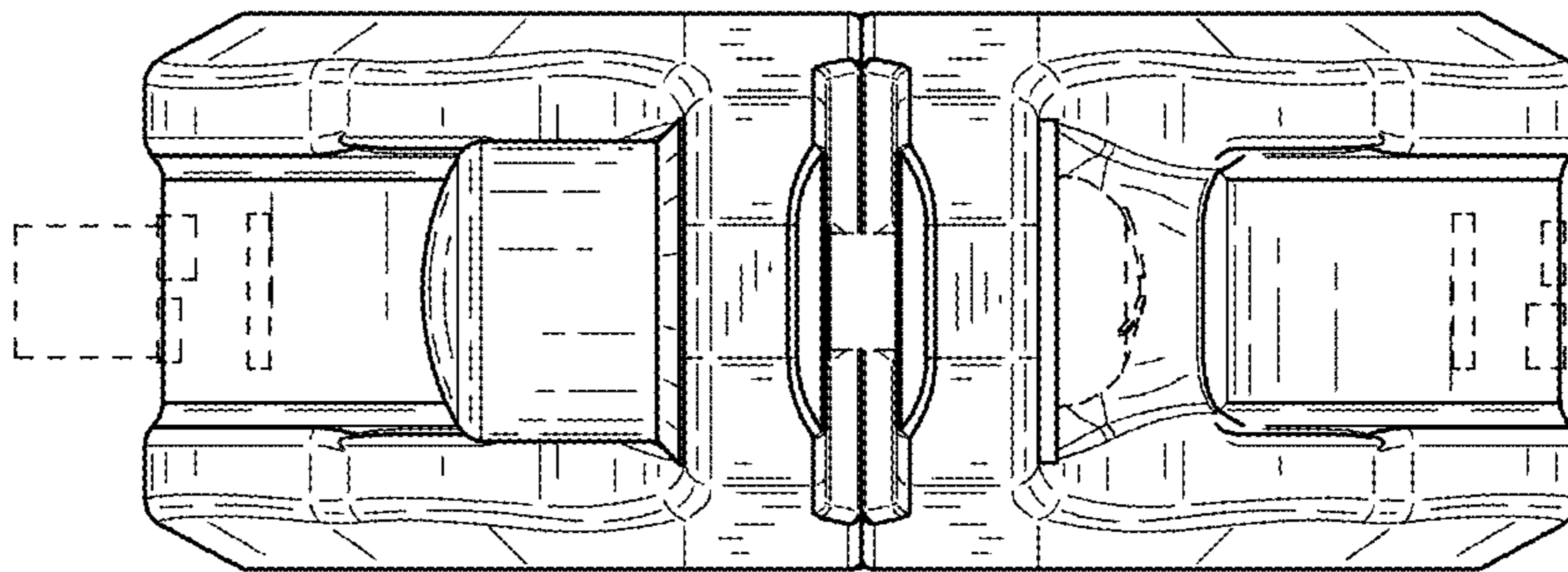


FIG. 6

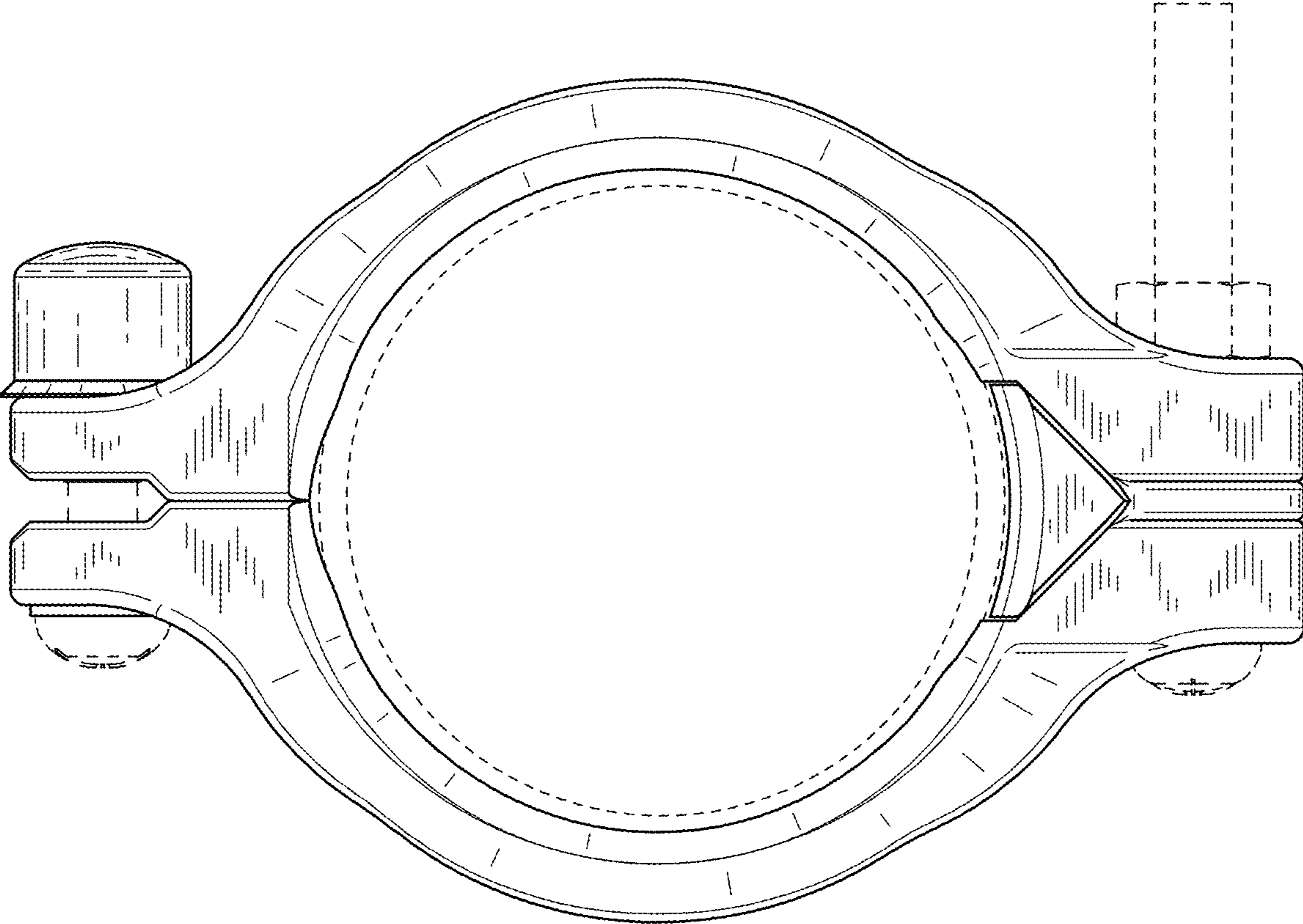


FIG. 7

