



US00D938555S

(12) **United States Design Patent** (10) **Patent No.:** **US D938,555 S**  
**Burns** (45) **Date of Patent:** **\*\* Dec. 14, 2021**

- (54) **FAUCET**
- (71) Applicant: **Reliance Worldwide Corporation,**  
Atlanta, GA (US)
- (72) Inventor: **William J. Burns,** Dandenong (AU)
- (73) Assignee: **RELIANCE WORLDWIDE**  
**CORPORATION,** Atlanta, GA (US)

1,878,288 A	9/1932	Mohr
1,878,569 A	9/1932	Zolleis
1,939,911 A	12/1933	McCune
2,172,073 A	9/1939	Smith
2,210,375 A	8/1940	Mueller
2,887,295 A	5/1959	Bredtschneider
2,997,054 A	8/1961	Woodford

(Continued)

**FOREIGN PATENT DOCUMENTS**

- (\*\*) Term: **15 Years**
- (21) Appl. No.: **29/778,490**
- (22) Filed: **Apr. 13, 2021**

CN	204277132 U	4/2015
WO	WO-2015/125386 A1	8/2015

**OTHER PUBLICATIONS**

International Preliminary Report on Patentability on PCT Appl. Ser. No. PCT/US2018/065661 dated Jun. 25, 2020 (7 pages).

(Continued)

*Primary Examiner* — Robert A Delehanty  
(74) *Attorney, Agent, or Firm* — Foley & Lardner LLP

- Related U.S. Application Data**
- (60) Continuation of application No. 29/453,683, filed on Oct. 1, 2020, now Pat. No. Des. 918,347, which is a division of application No. 29/710,473, filed on Oct. 23, 2019, now Pat. No. Des. 900,975, which is a continuation of application No. 15/843,186, filed on Dec. 15, 2017, now Pat. No. 10,816,120.
- (51) **LOC (13) Cl.** ..... **23-01**
- (52) **U.S. Cl.**  
USPC ..... **D23/255**
- (58) **Field of Classification Search**  
USPC ..... D23/238–243, 249, 255, 257, 245, 233  
CPC . Y10T 137/9464; E03C 1/0404; E03C 1/021;  
F16K 1/041; F16K 1/06; F16K 1/02;  
F16K 1/48; F16K 1/482; F16K 1/485;  
F16K 11/487; F16K 27/02; F16K 1/08;  
F16K 1/10; B21K 1/20; B21K 1/241  
See application file for complete search history.

(57) **CLAIM**

I claim the ornamental design for a faucet, as shown and described.

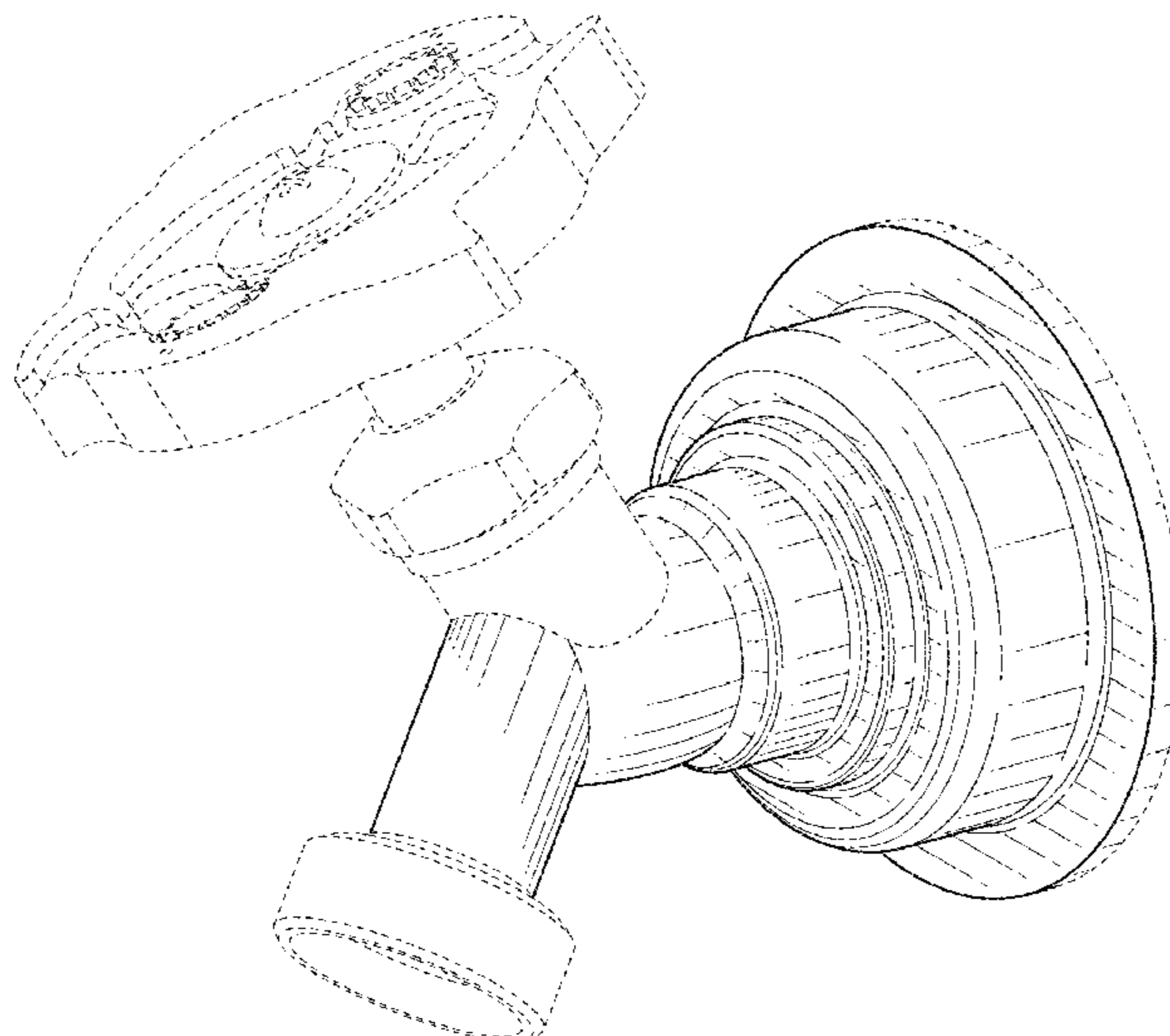
**DESCRIPTION**

FIG. 1 is a perspective view of the claimed design;  
FIG. 2 is a front view thereof;  
FIG. 3 is a rear view thereof;  
FIG. 4 is a right side view thereof;  
FIG. 5 is a left side view thereof;  
FIG. 6 is a bottom view thereof; and,  
FIG. 7 is a top view thereof.

The ornamental design that is claimed is shown in solid lines in the figures. Broken lines of equal or substantially equal length dashes in the drawings are for illustrative purposes only and form no part of the claimed design. Broken lines formed by equal length dashes show unclaimed portions of the design.

- (56) **References Cited**  
**U.S. PATENT DOCUMENTS**  
1,115,696 A 11/1914 Linbarger  
1,214,220 A 1/1917 Regar  
D52,919 S 1/1919 Mittinger  
1,482,484 A 2/1924 Roberts

**1 Claim, 4 Drawing Sheets**



(56)

References Cited

U.S. PATENT DOCUMENTS

D205,438 S 8/1966 Hansen  
 3,414,001 A 12/1968 Woodford  
 D223,647 S 5/1972 Cornelius  
 3,711,063 A 1/1973 Gibbs et al.  
 4,244,556 A 1/1981 Miller  
 4,314,580 A 2/1982 Steinwand  
 4,440,316 A 4/1984 Christine  
 4,523,740 A 6/1985 Paitchell  
 4,722,558 A 2/1988 Badoureaux  
 4,860,784 A 8/1989 Petersen et al.  
 5,174,611 A 12/1992 Byrd et al.  
 5,480,122 A 1/1996 Barker  
 5,482,329 A 1/1996 McCall et al.  
 D371,956 S 7/1996 Steffes  
 5,551,735 A 9/1996 Takayanagi et al.  
 5,588,681 A 12/1996 Parks  
 5,590,679 A 1/1997 Almasy et al.  
 5,632,303 A 5/1997 Almasy et al.  
 6,065,491 A 5/2000 Rider  
 6,216,722 B1 4/2001 Solomon  
 6,378,910 B1 4/2002 Maiman  
 6,382,592 B1 5/2002 Kim  
 6,502,364 B2 1/2003 Richardson  
 D513,310 S 12/2005 Kulig  
 7,409,964 B2 8/2008 Hoepfner, III  
 7,530,606 B1 5/2009 Yang  
 7,730,901 B2 6/2010 Ball  
 7,942,161 B2 5/2011 Crompton  
 8,272,396 B2 9/2012 Brienza  
 8,469,337 B1 6/2013 Hoepfner, III  
 8,491,012 B2 7/2013 Lequere  
 D697,587 S 1/2014 Nissen et al.  
 D700,682 S 3/2014 Bayyouk et al.  
 D748,228 S 1/2016 Bayyouk et al.  
 9,228,681 B2 1/2016 Kluss  
 D756,747 S 5/2016 Wu et al.  
 D787,029 S 5/2017 Bayyouk et al.  
 D820,393 S 6/2018 Tickle  
 10,072,783 B2 9/2018 Gledhill et al.  
 D830,122 S 10/2018 Seiders et al.  
 D835,754 S 12/2018 Caleffi  
 10,214,883 B2 2/2019 Chapla  
 D861,834 S 10/2019 Foster et al.  
 D873,967 S 1/2020 Ozburn  
 D879,250 S 3/2020 Glaser  
 D880,661 S 4/2020 Foster et al.  
 D884,125 S 5/2020 Morefield et al.  
 D887,813 S 6/2020 Burns et al.  
 10,794,521 B2 \* 10/2020 Burns ..... F16K 1/04  
 2002/0167164 A1 11/2002 Thomas et al.  
 2003/0057701 A1 3/2003 Koo

2004/0021120 A1 2/2004 Turnau, III et al.  
 2008/0149873 A1 6/2008 Cimberio et al.  
 2010/0072744 A1 3/2010 Xie  
 2010/0171308 A1 7/2010 Sanzone et al.  
 2011/0025054 A1 2/2011 Kluss  
 2011/0140417 A1 6/2011 Kluss et al.  
 2012/0074695 A1 3/2012 Salehi-Bakhtiari  
 2014/0062078 A1 3/2014 Weissmann  
 2014/0182709 A1 7/2014 Janousek  
 2015/0345683 A1 12/2015 Crompton et al.  
 2016/0033065 A1 2/2016 Graham et al.  
 2017/0307119 A1 10/2017 Taniguchi  
 2017/0321827 A1 11/2017 Lee et al.  
 2018/0266604 A1 9/2018 Yang  
 2018/0291597 A1 10/2018 Hunt  
 2019/0024352 A1 1/2019 Ozburn  
 2019/0186642 A1 6/2019 Burns  
 2021/0003240 A1 1/2021 Kanizo

OTHER PUBLICATIONS

International Search Report and Written Opinion for Appl. Ser. No. PCT/US2018/065661 dated Mar. 22, 2019 (10 pages).  
 Non-Final Office Action on U.S. Appl. No. 15/843,186 dated Mar. 4, 2020 (16 pages).  
 Non-Final Office Action on U.S. Appl. No. 15/843,186 dated May 16, 2019 (24 pages).  
 Non-Final Office Action on U.S. Appl. No. 16/663,123 dated Feb. 10, 2020 (21 pages).  
 Notice of Allowance on U.S. Appl. No. 15/843,186 dated Dec. 4, 2019 (9 pages).  
 Notice of Allowance on U.S. Appl. No. 15/843,186 dated Jul. 2, 2020 (8 pages).  
 Notice of Allowance on U.S. Appl. No. 16/663,123 dated Jul. 1, 2020 (2 pages).  
 Notice of Allowance on U.S. Appl. No. 16/663,123 dated Jun. 17, 2020 (10 pages).  
 U.S. Notice of Allowance on U.S. Appl. No. 15/843,186 dated Sep. 14, 2020 (2 pages).  
 U.S. Notice of Allowance on U.S. Appl. No. 29/710,473 dated Aug. 26, 2020 (6 pages).  
 U.S. Notice of Allowance on U.S. Appl. No. 29/753,683 dated Jan. 8, 2021 (9 pages).  
 U.S. Office Action on U.S. Appl. No. 29/710,473 dated Jun. 12, 2020 (7 pages).  
 U.S. Office Action on U.S. Appl. No. 17/078,411 dated Aug. 31, 2021.  
 First Official Action dated Sep. 8, 2021 issued in CL Application No. 1573-2020, 18 pages.

\* cited by examiner

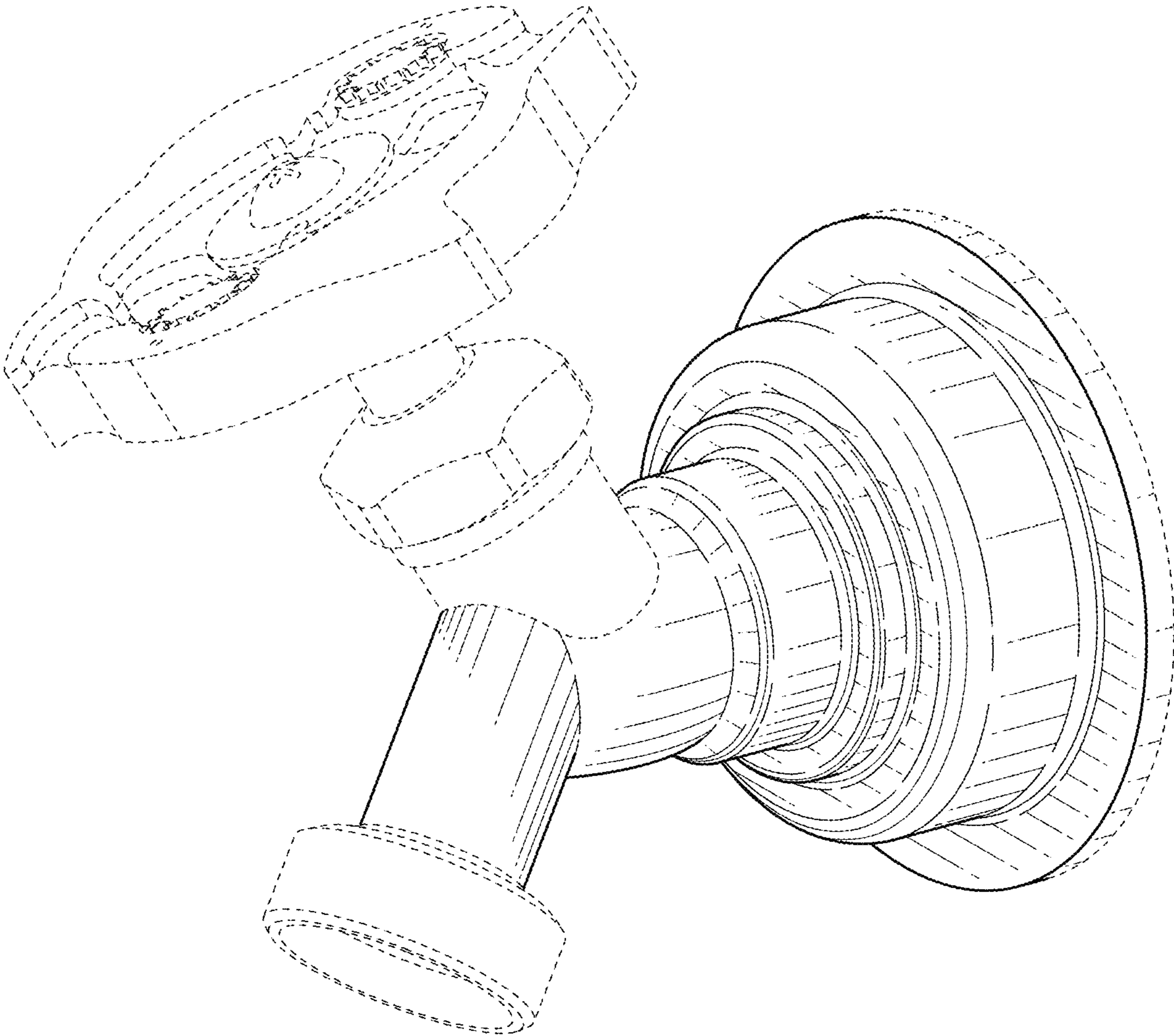


FIG. 1

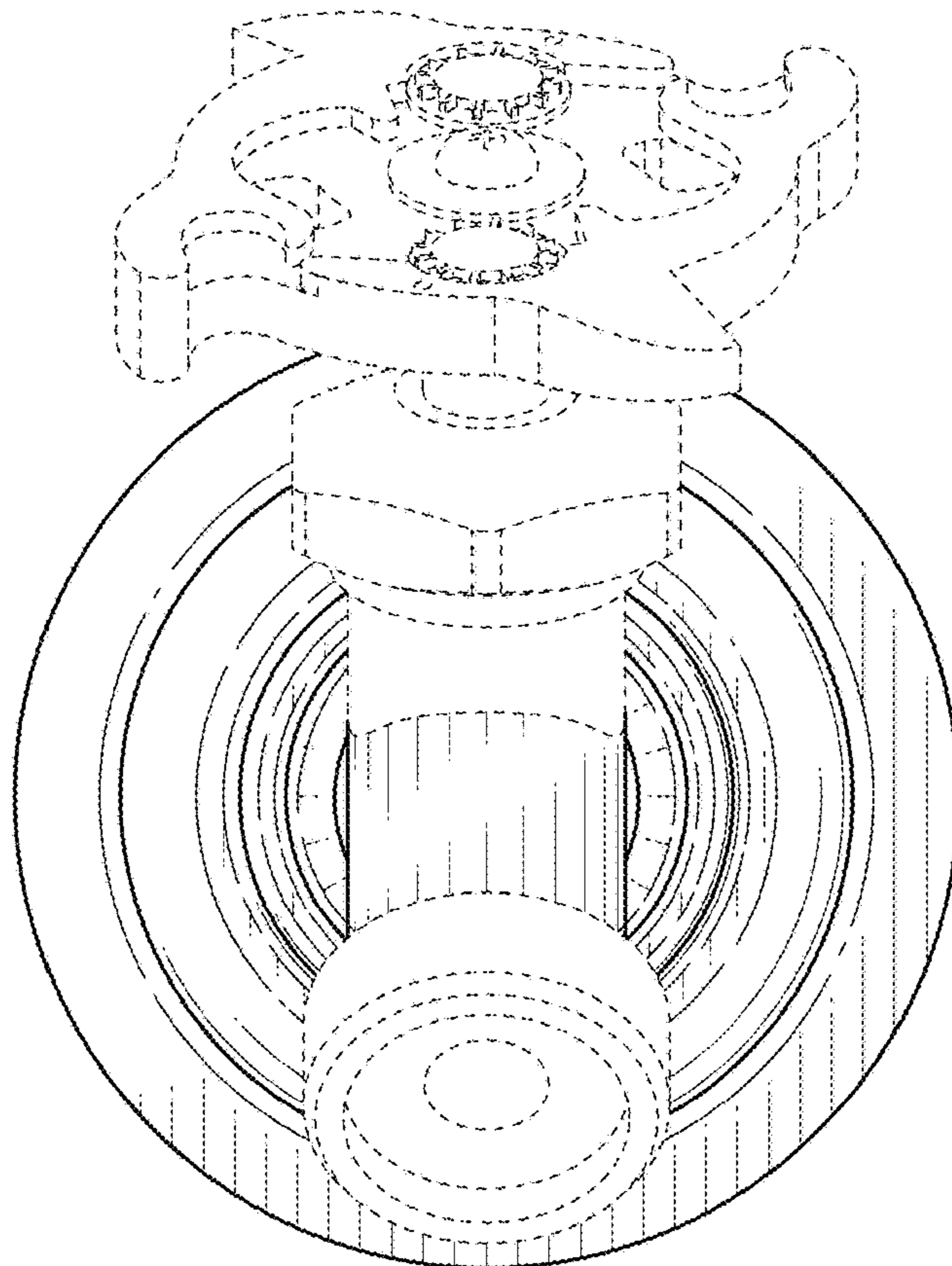


FIG. 2

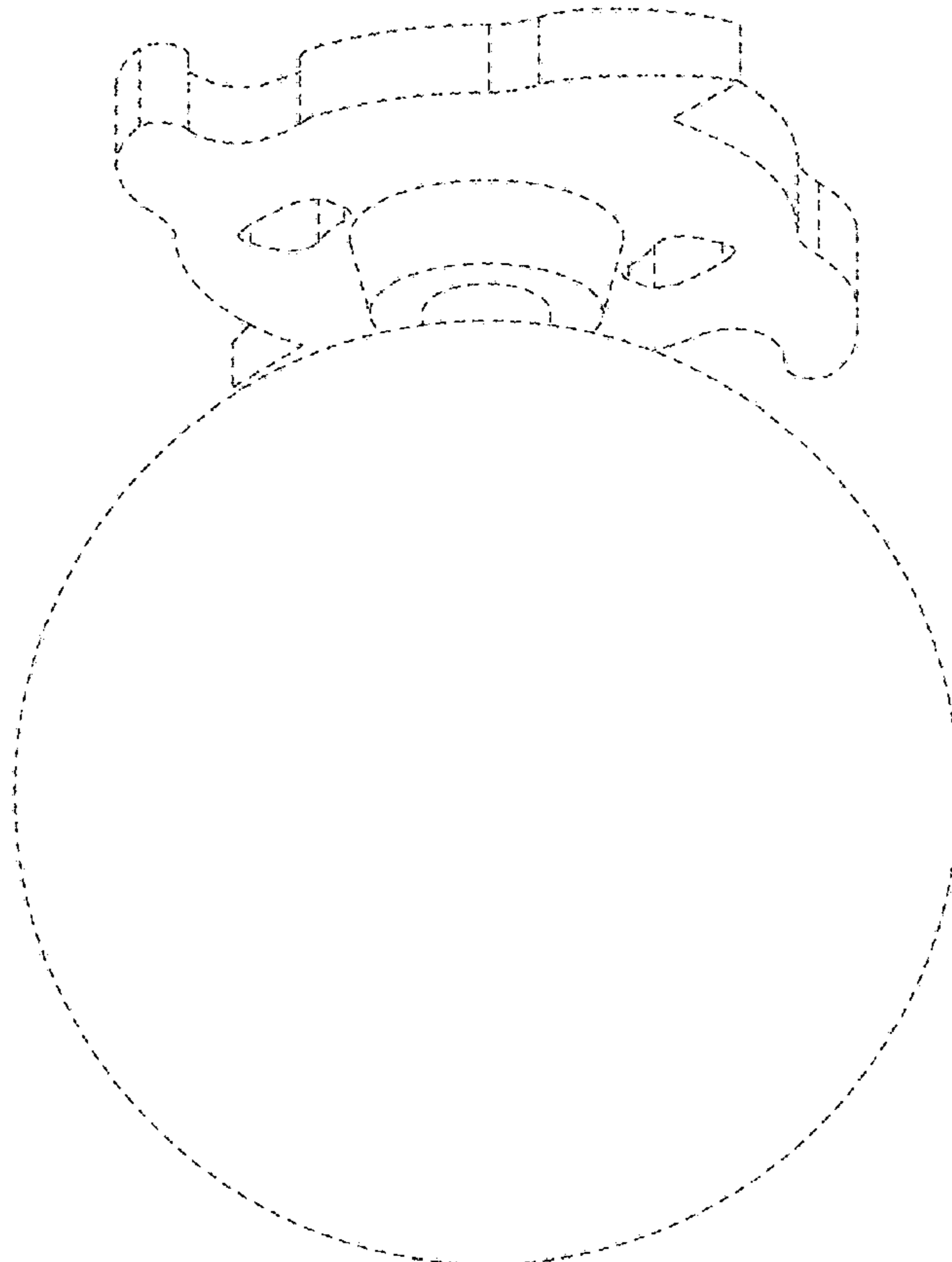


FIG. 3

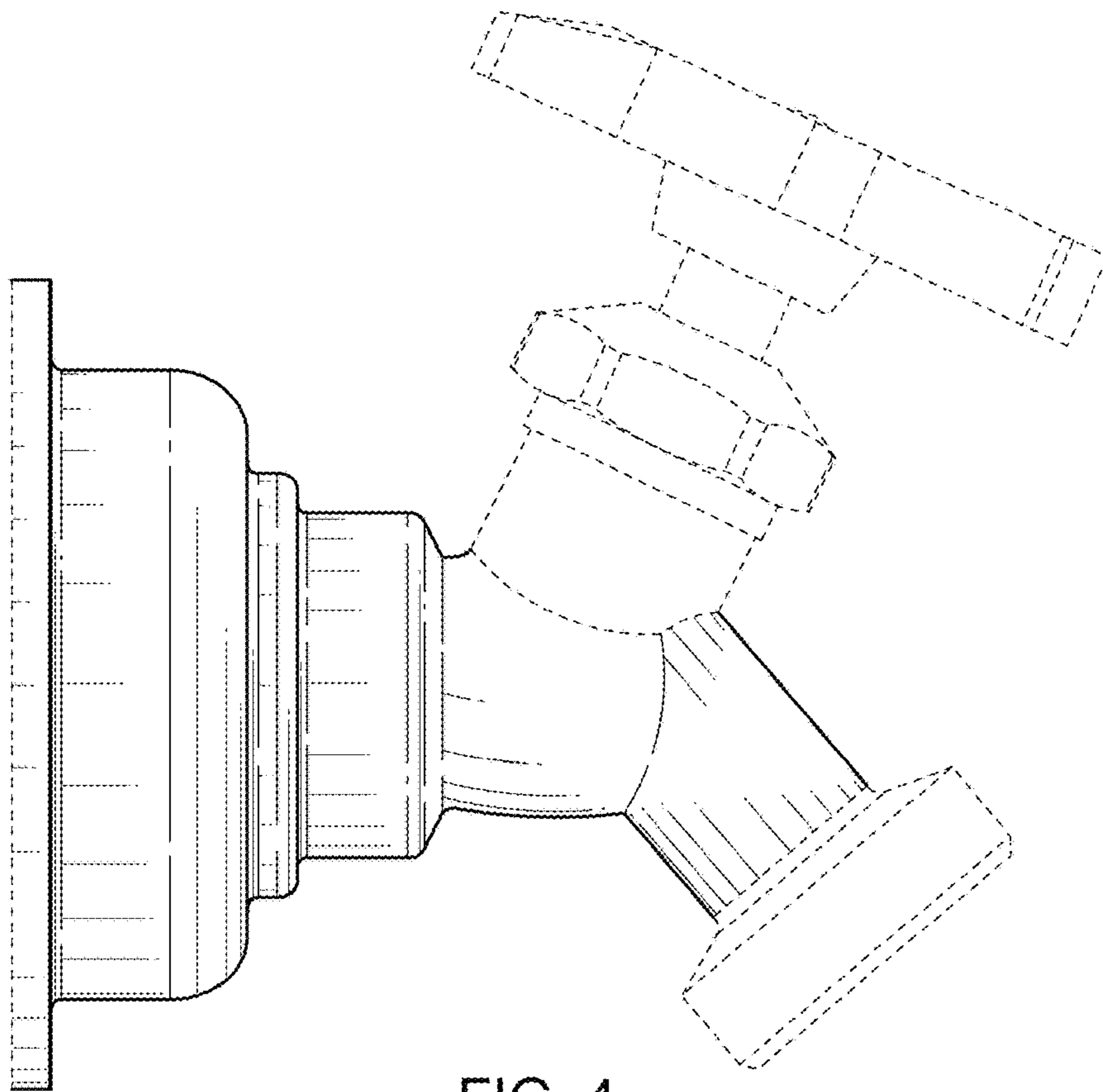


FIG. 4

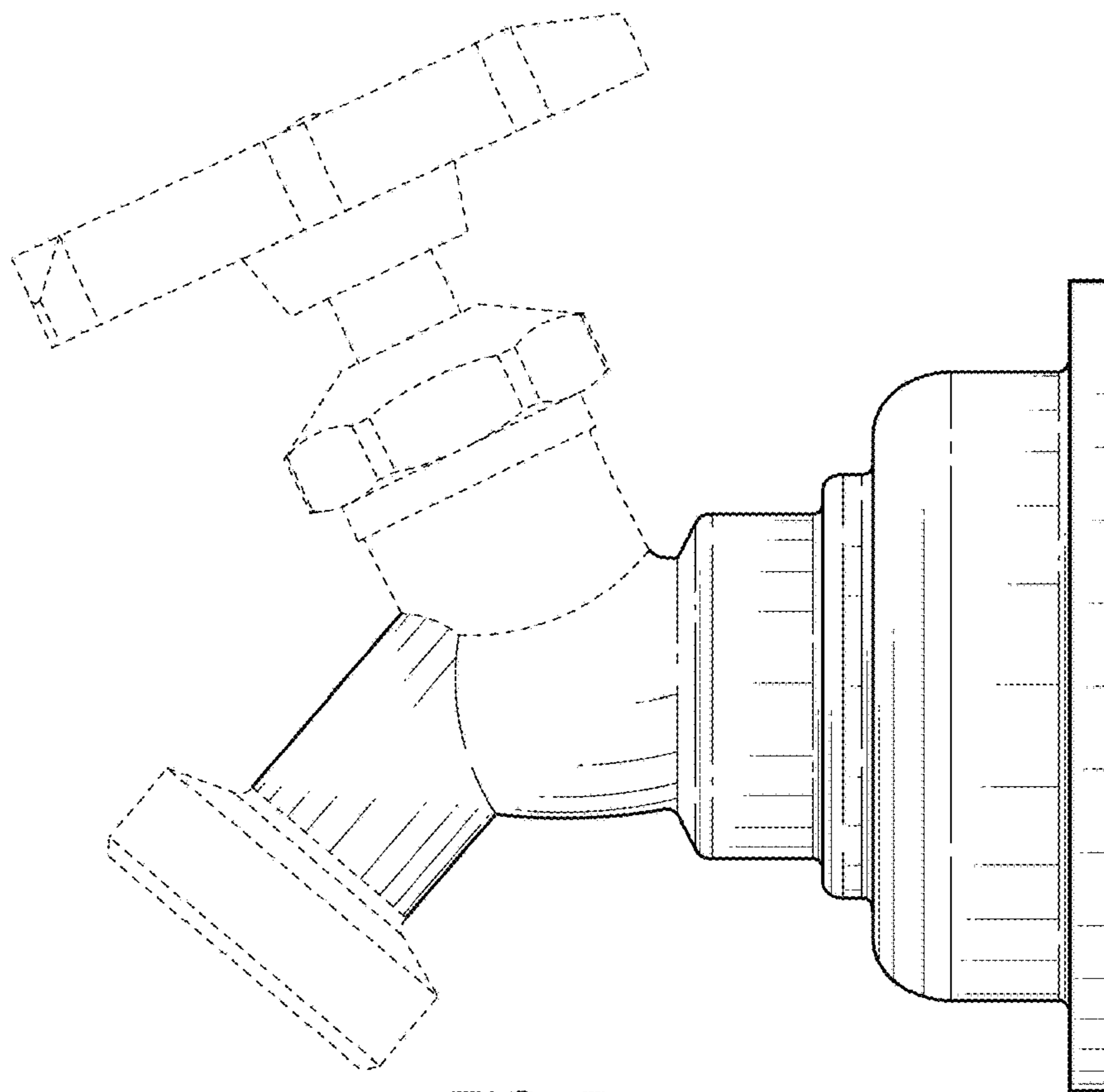


FIG. 5

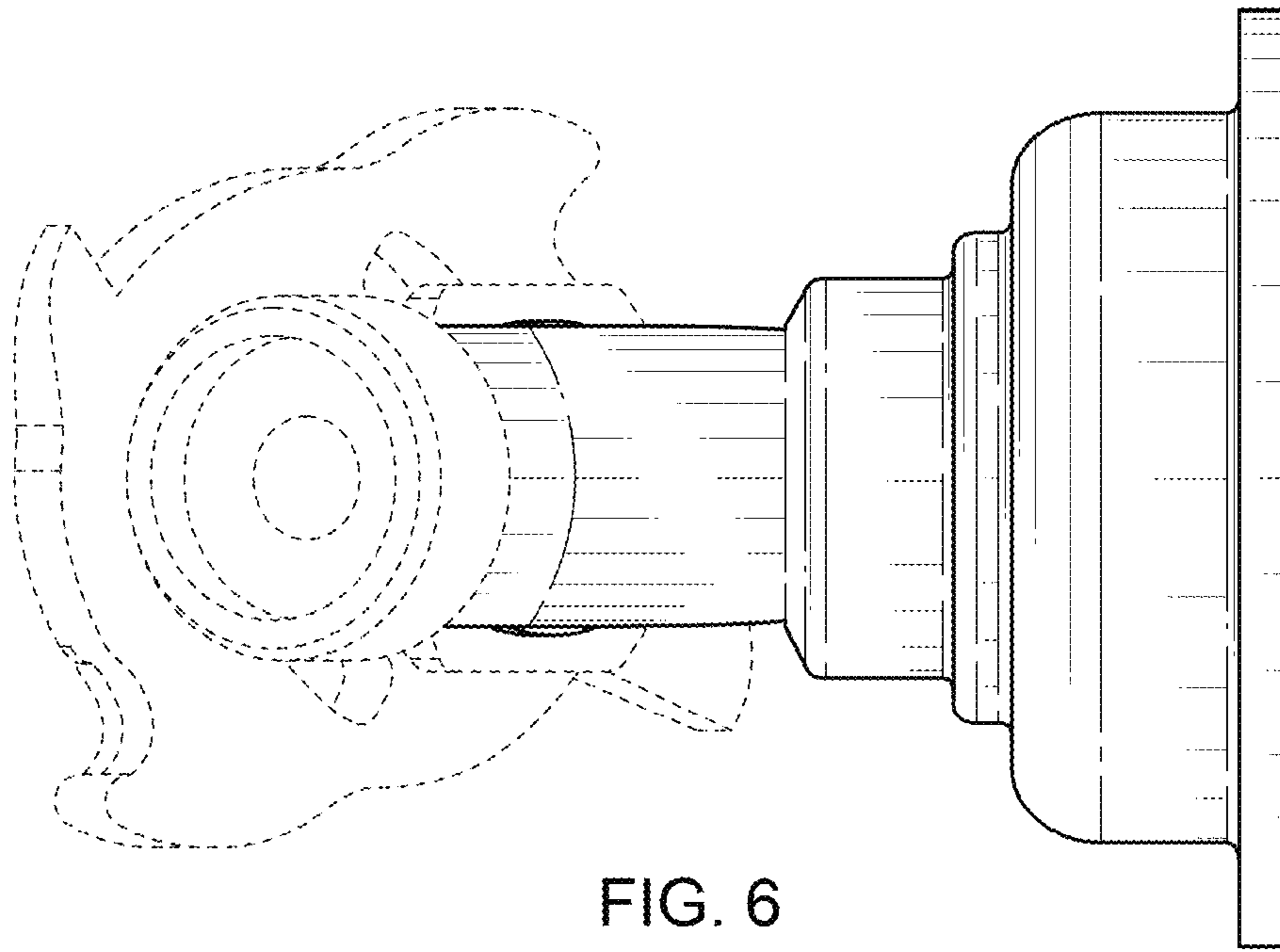


FIG. 6

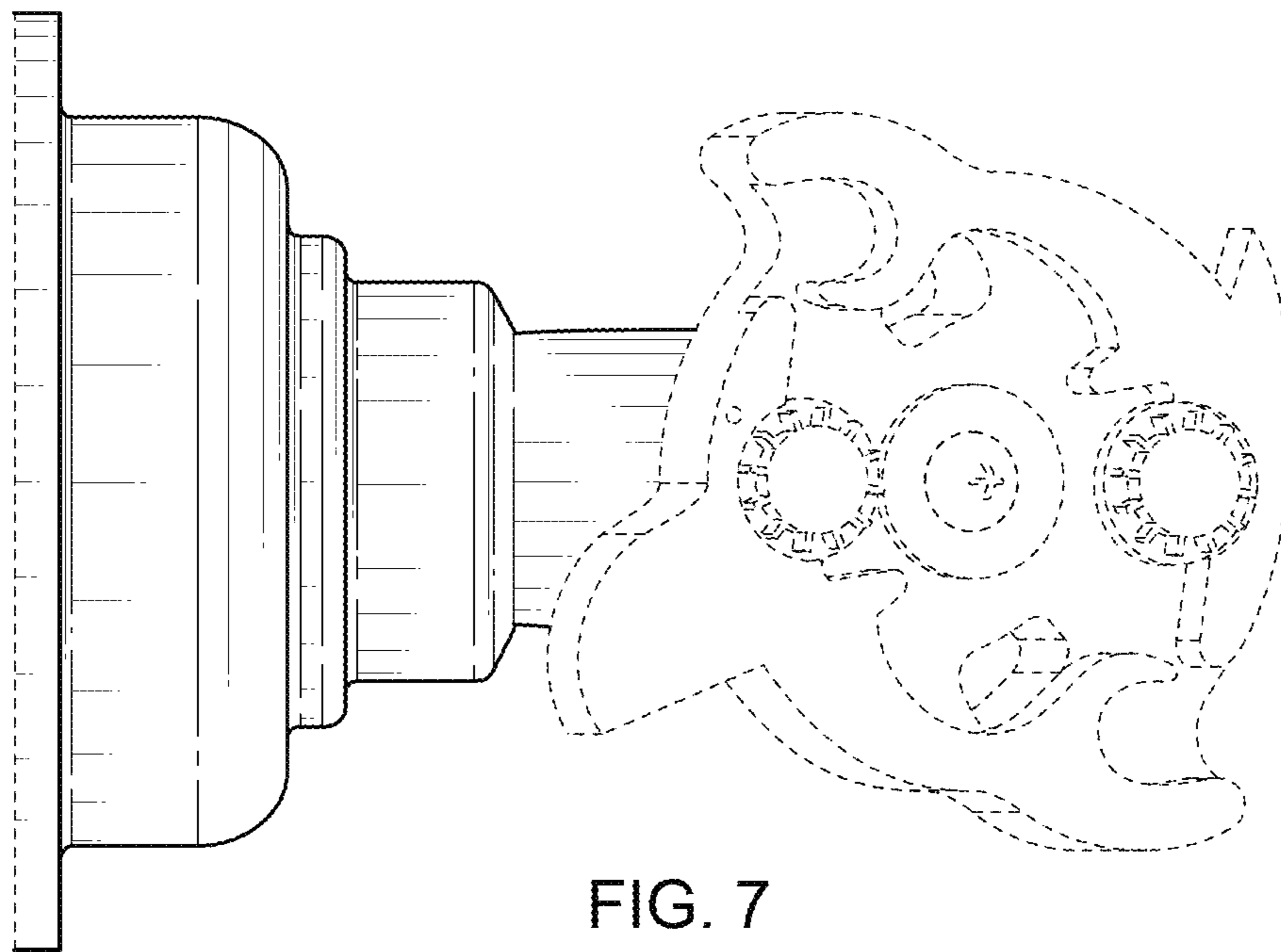


FIG. 7