



US00D938552S

(12) **United States Design Patent** (10) **Patent No.:** **US D938,552 S**
Moult et al. (45) **Date of Patent:** **** Dec. 14, 2021**

(54) **TAP**
(71) Applicant: **Zip Heaters (Australia) Pty Limited,**
Condell Park (AU)
(72) Inventors: **Kevin Moult,** South Maroota (AU);
David Mansueto, Balmain (AU)
(73) Assignee: **Zip Heaters (Australia) Pty Limited,**
Condell Park (AU)

(**) Term: **15 Years**

(21) Appl. No.: **29/721,152**

(22) Filed: **Jan. 17, 2020**

(30) **Foreign Application Priority Data**

Jul. 18, 2019 (AU) 201914045

(51) **LOC (13) Cl.** **23-01**

(52) **U.S. Cl.**
USPC **D23/238**

(58) **Field of Classification Search**
USPC D23/238-244, 252, 254-255, 257;
D8/307-308
CPC F16K 31/602; F16K 31/605; F16K 31/607;
E03C 1/0412
See application file for complete search history.

(56) **References Cited**

U.S. PATENT DOCUMENTS

D636,061 S *	4/2011	Kulig	D23/238
D636,062 S *	4/2011	Rubin	D23/238
D644,300 S *	8/2011	Yokoyama	D23/238
D662,183 S *	6/2012	Sieger	D23/238
D684,243 S *	6/2013	Lord	D23/238
D750,203 S *	2/2016	Flowers	D23/238
D771,224 S *	11/2016	Flowers	D23/238
D809,104 S *	1/2018	Schoenherr	D23/238
D809,628 S *	2/2018	Schoenherr	D23/238
D811,529 S *	2/2018	Schoenherr	D23/238

D811,532 S *	2/2018	Schoenherr	D23/238
D828,502 S *	9/2018	Schoenherr	D23/238
D828,505 S *	9/2018	Schoenherr	D23/238
D846,701 S *	4/2019	Liu	D23/238
D862,649 S *	10/2019	Meyers	D23/238
D862,650 S *	10/2019	Meyers	D23/238
D873,964 S *	1/2020	Soulier	D23/238
D900,968 S *	11/2020	Garland	D23/238
D908,193 S *	1/2021	Rockwell	D23/238

(Continued)

FOREIGN PATENT DOCUMENTS

CN	302761664	*	8/2013
CN	304934736	*	8/2018
CN	305782271	*	12/2019

OTHER PUBLICATIONS

Grohe 31453DC1 Concetto Single-Handle Pull-Out Kitchen Faucet, first available Aug. 5, 2015[online], [site visited May 4, 2021]. Available from internet, URL:<<https://www.amazon.com/31453DC1-Concetto-Single-Handle-Pull-Out-Kitchen/dp/B013SJRI9A>> (Year: 2015).*

Primary Examiner — Barbara Fox
Assistant Examiner — Jamaal Rasheed
(74) *Attorney, Agent, or Firm* — Cook Alex Ltd.

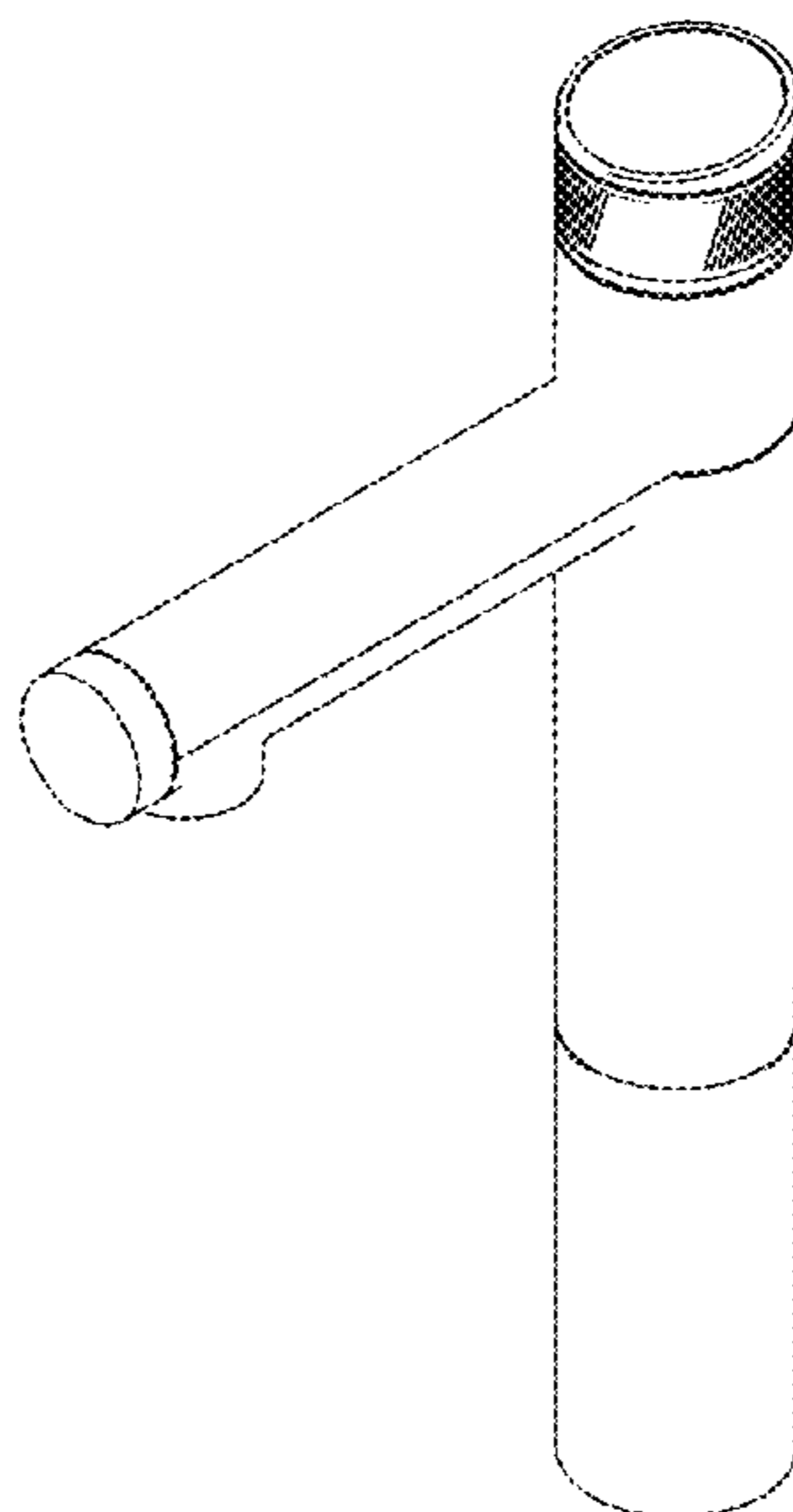
(57) **CLAIM**

What is claimed is the ornamental design for a tap, as shown and described.

DESCRIPTION

FIG. 1 is an isometric view of a tap showing a new design; FIG. 2 is a front view thereof; FIG. 3 is a rear view thereof; FIG. 4 is a right-side elevation view thereof; the left side elevation view being a mirror image thereof; FIG. 5 is a top view thereof; and, FIG. 6 is an enlarged isometric view thereof.

1 Claim, 5 Drawing Sheets



(56)

References Cited

U.S. PATENT DOCUMENTS

D914,142 S * 3/2021 Zhu D23/238
D914,845 S * 3/2021 Garland D23/238

* cited by examiner

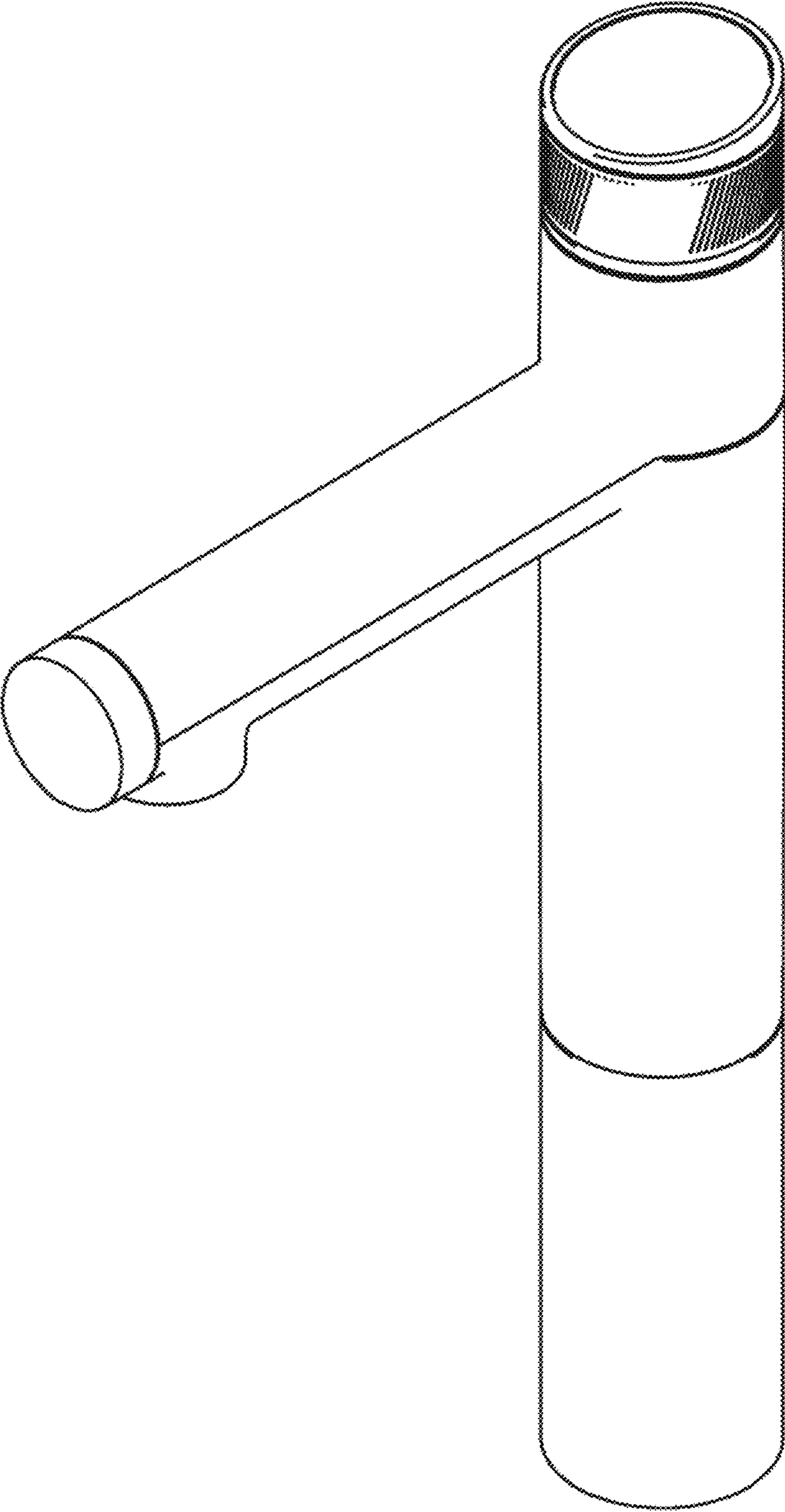


FIG. 1

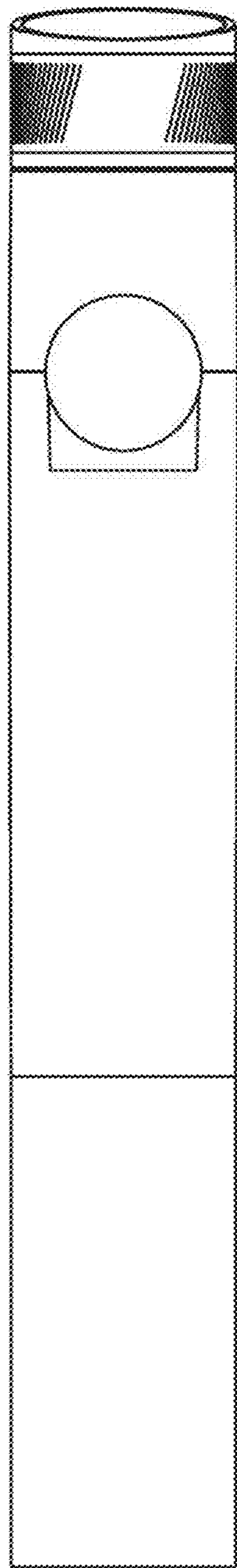


FIG. 2

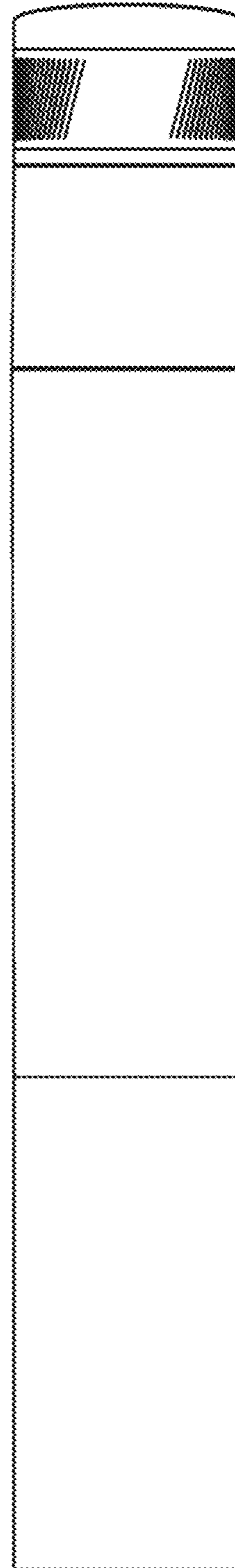


FIG. 3

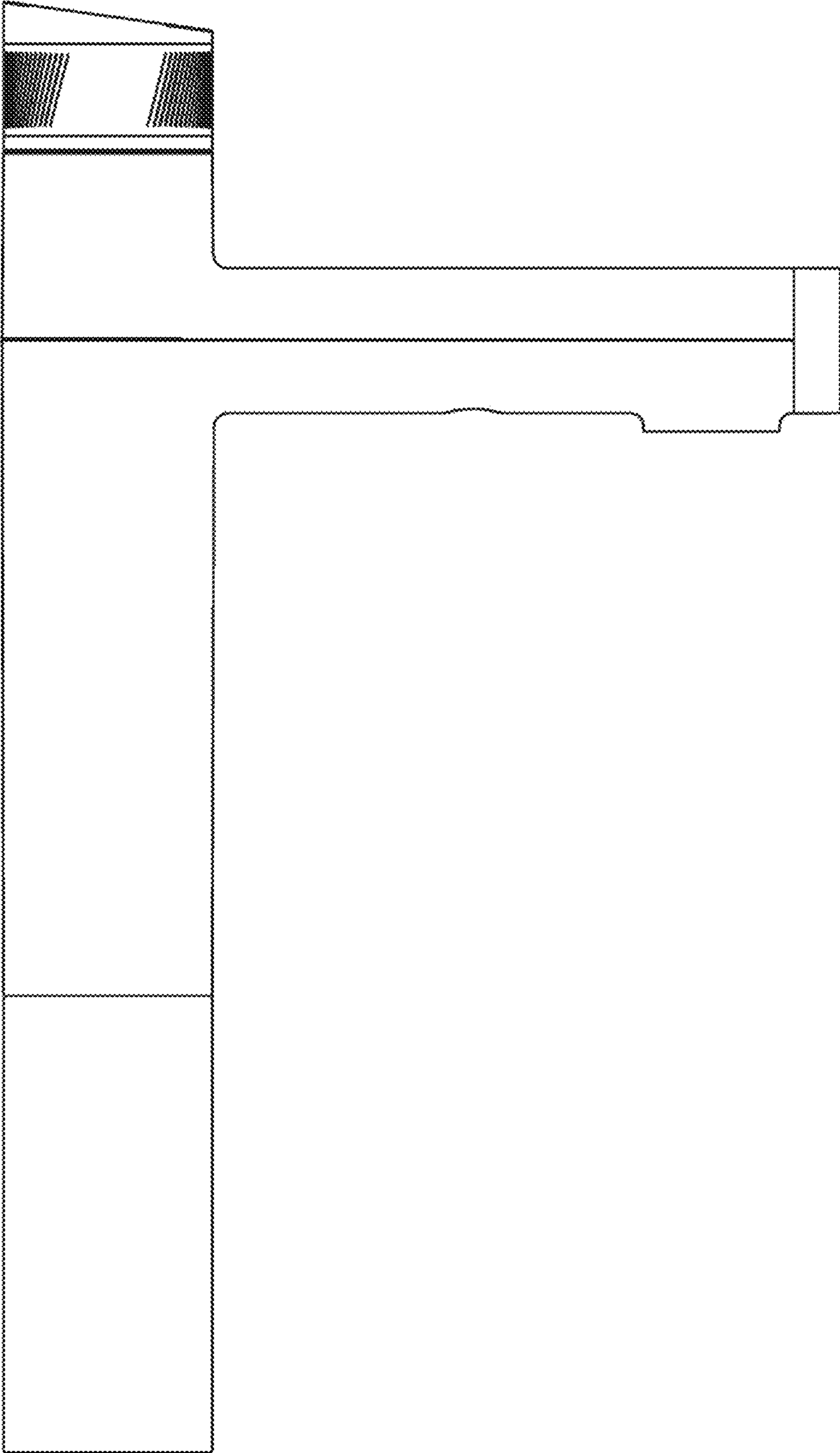


FIG. 4

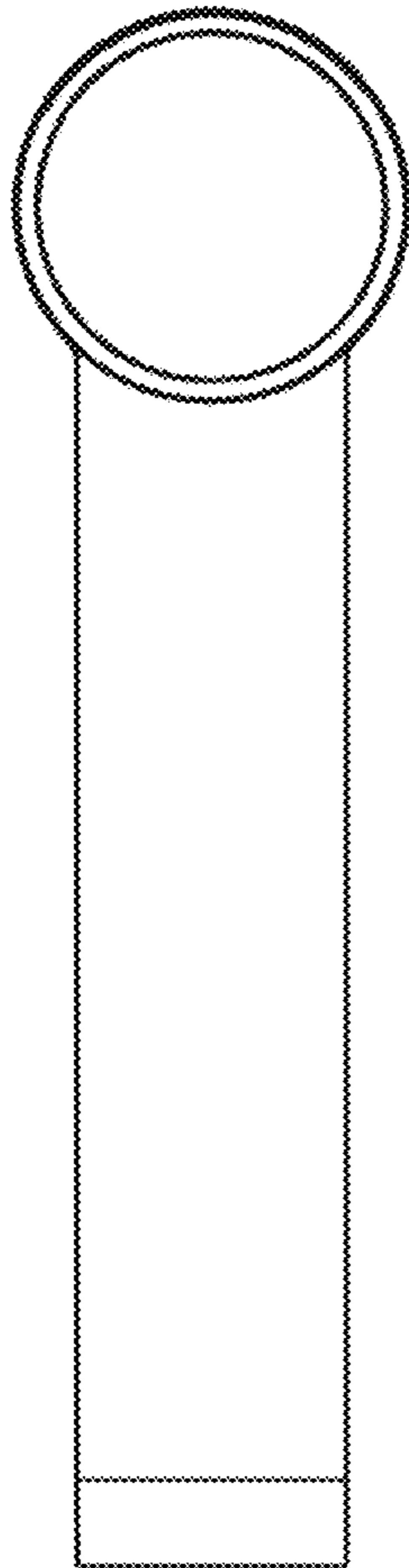


FIG. 5

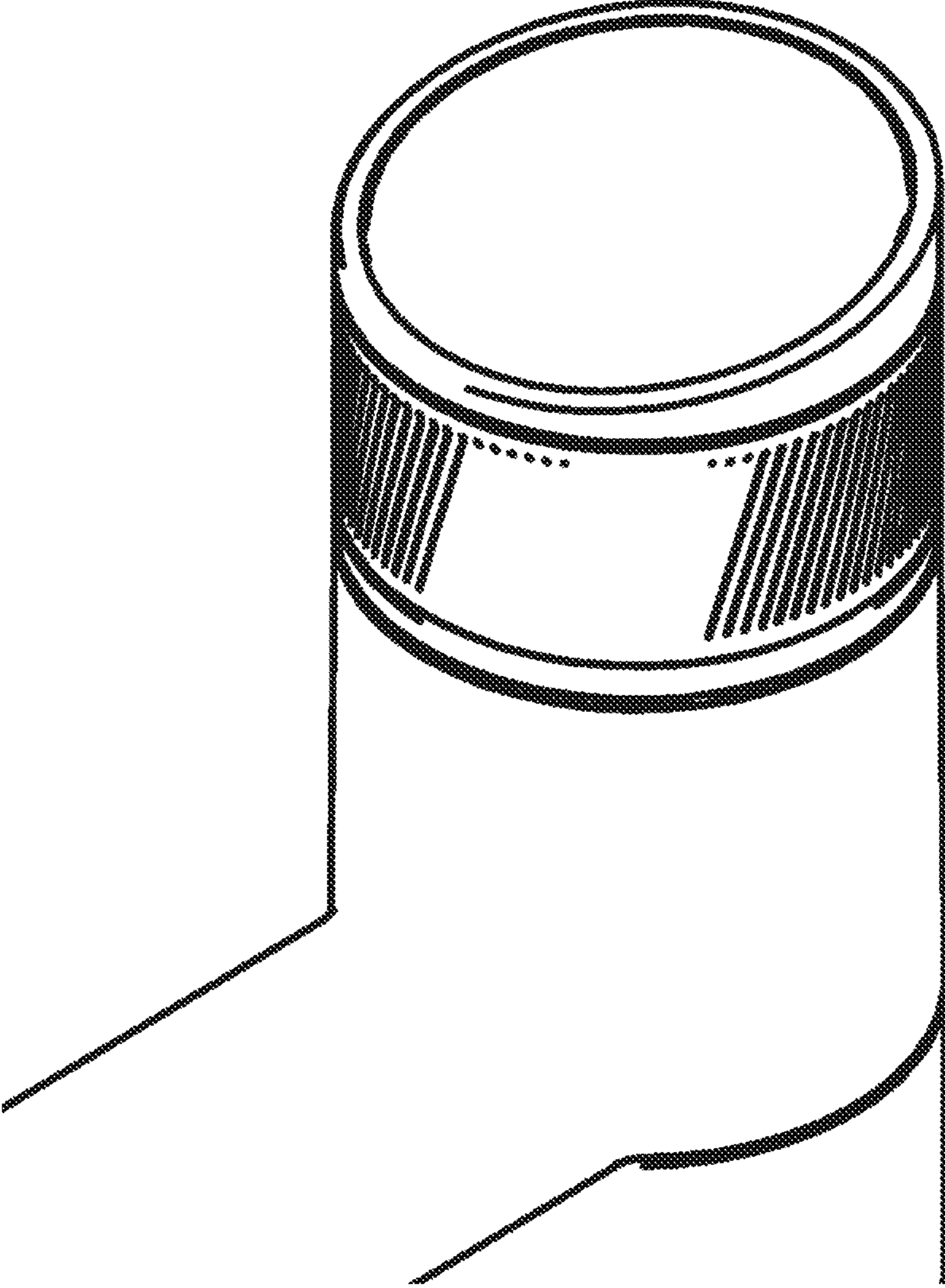


FIG. 6