



US00D938551S

(12) **United States Design Patent** (10) **Patent No.:** **US D938,551 S**
Lu (45) **Date of Patent:** **** Dec. 14, 2021**

(54) **CURVED WATER SHOWER WAND**

(71) Applicant: **Qijun Lu, Yuyao (CN)**

(72) Inventor: **Qijun Lu, Yuyao (CN)**

(**) Term: **15 Years**

(21) Appl. No.: **29/735,300**

(22) Filed: **May 20, 2020**

(51) **LOC (13) Cl.** **23-01**

(52) **U.S. Cl.**
USPC **D23/226**

(58) **Field of Classification Search**
USPC D23/213, 214, 215, 222, 223, 224, 226,
D23/229, 230

CPC A61H 9/0021; A61H 33/00; B05B 1/00;
B05B 1/14; B05B 1/185; B05B 1/08;
B05B 1/02; B05B 1/26; B05B 12/002;
B05B 1/18; B05B 9/01

See application file for complete search history.

(56) **References Cited**

U.S. PATENT DOCUMENTS

D425,603 S *	5/2000	Guo	D23/213
D472,605 S *	4/2003	Nien	D23/223
D479,302 S *	9/2003	Chen	D23/213
D498,288 S *	11/2004	Chen	D23/223
D555,766 S *	11/2007	Chen	D23/223
D582,003 S *	12/2008	Dorris	D23/213
D608,858 S *	1/2010	Baltz	D23/226
D612,452 S *	3/2010	Nugent	D23/226
D636,058 S *	4/2011	Hung	D23/223
D653,306 S *	1/2012	Chen	D23/226
D713,503 S *	9/2014	Mammen	D23/226
D747,441 S *	1/2016	Naslund	D23/223
D760,349 S *	6/2016	Chen	D23/223
D807,990 S *	1/2018	Naslund	D23/223
D881,357 S *	4/2020	Krueger	D23/266
D926,932 S *	8/2021	Chen	D23/226

OTHER PUBLICATIONS

Black+Decker BON-013 Lightweight Snake Wand with 9-Pattern Spray Head, Jun. 12, 2017, Amazon.com, Sep. 18, 2021, URL: <https://www.amazon.com/dp/B01M72EB75> (Year: 2017).*
Orbit 58603 Hose-End 36-Inch 9-Pattern Front Trigger Wand, May 7, 2013, Amazon.com, Sep. 18, 2021, URL: <https://www.amazon.com/dp/B004RUJ3L6> (Year: 2013).*
Orbit SunMate Hose-End 56098 33-Inch Shower Wand with Shut-off, Jun. 7, 2017, Amazon.com, Sep. 18, 2021, URL: <https://www.amazon.com/dp/B004Q48RW4> (Year: 2017).*

* cited by examiner

Primary Examiner — Jack Reickel

Assistant Examiner — Keith J Wilson

(74) *Attorney, Agent, or Firm* — IPro, PLLC

(57) **CLAIM**

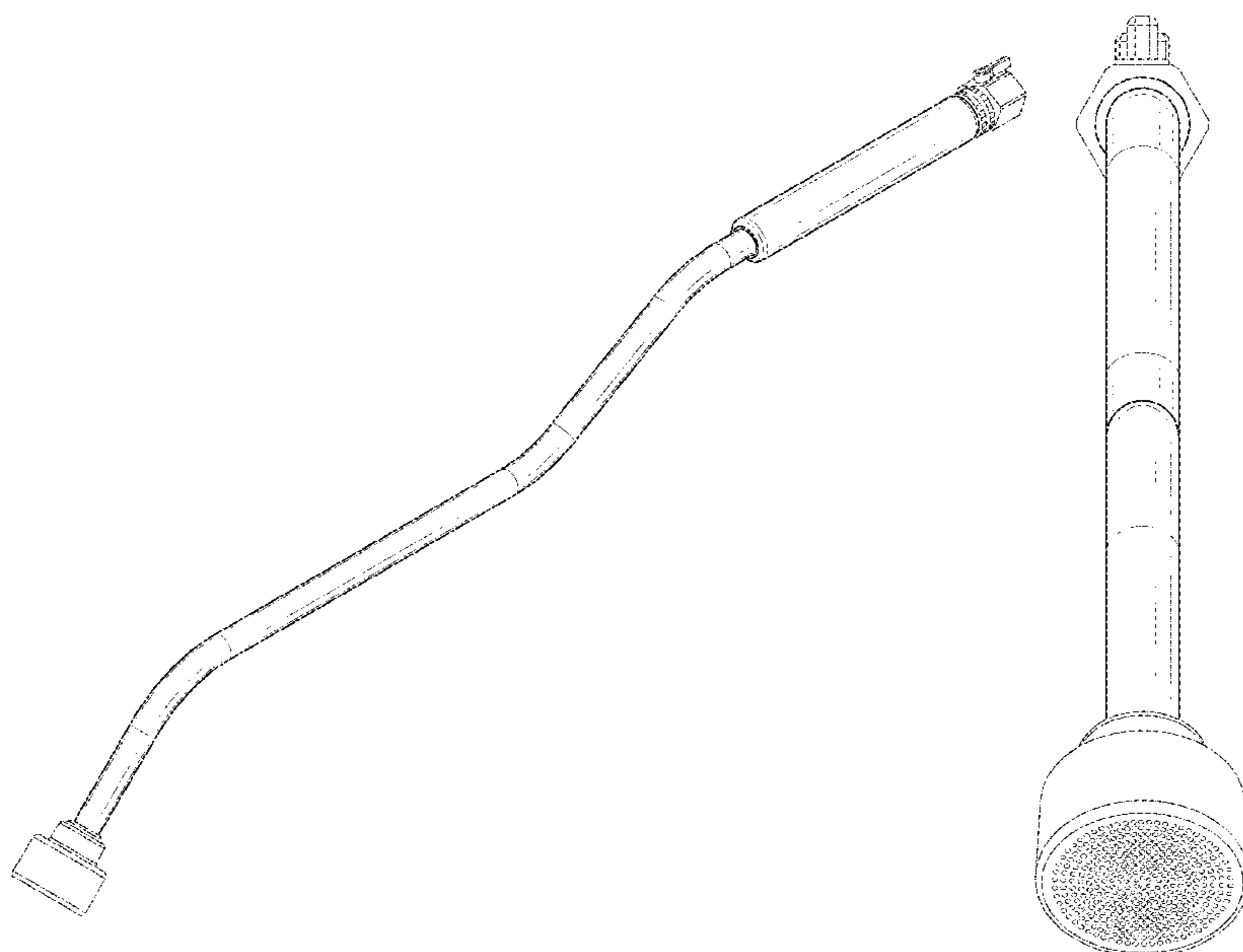
The ornamental design for a curved water shower wand, as shown and described.

DESCRIPTION

FIG. 1 is a perspective view of a curved water shower wand embodying the new design;
FIG. 2 is a front view thereof;
FIG. 3 is a back view thereof;
FIG. 4 is a side view thereof;
FIG. 5 is another side view thereof;
FIG. 6 is a top view thereof; and,
FIG. 7 is a bottom view thereof.

In the drawings, the broken line showing of the curved water shower wand is included for the purposed of illustrating portions of the article and forms no part of the claimed design.

1 Claim, 7 Drawing Sheets



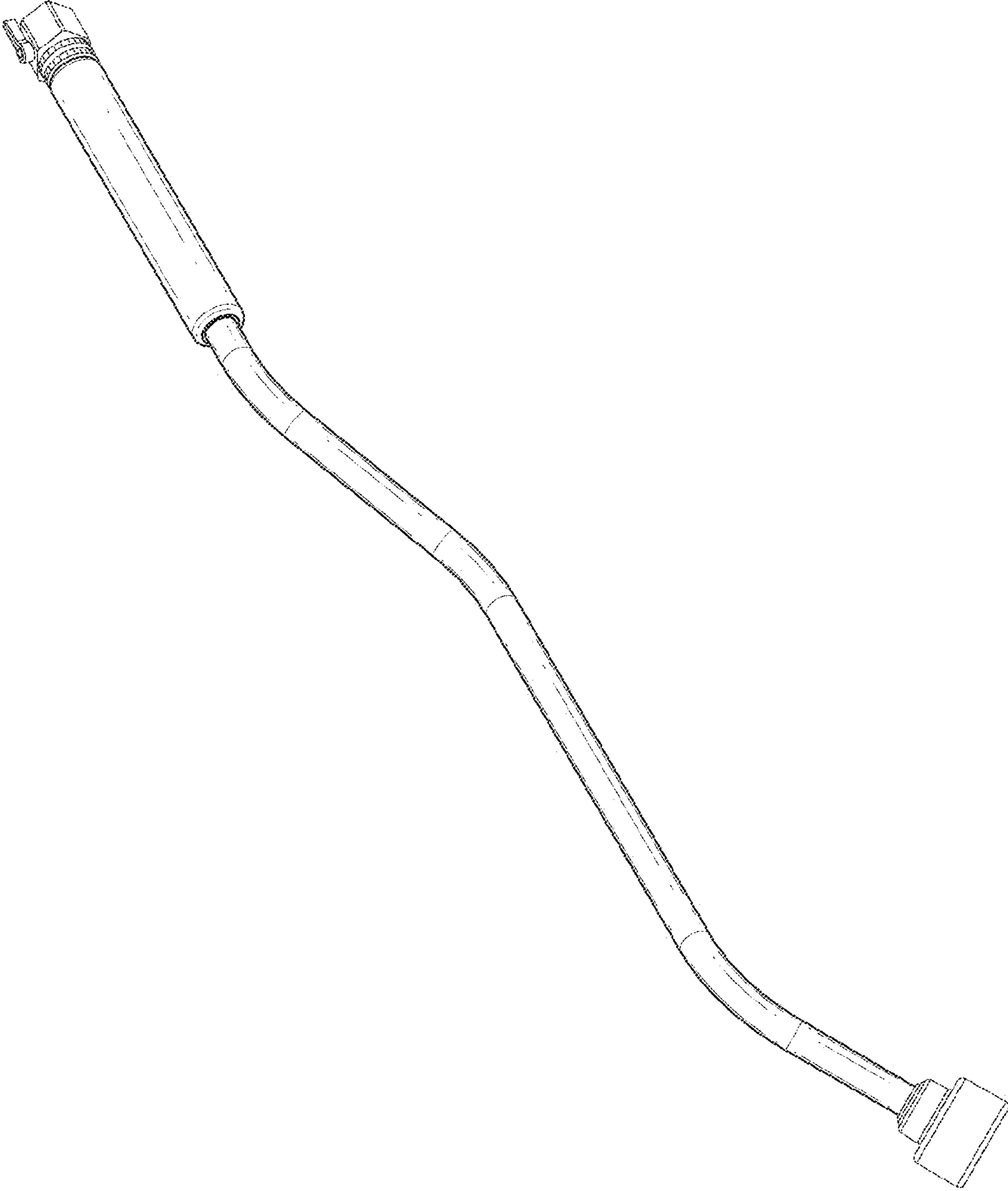


FIG. 1

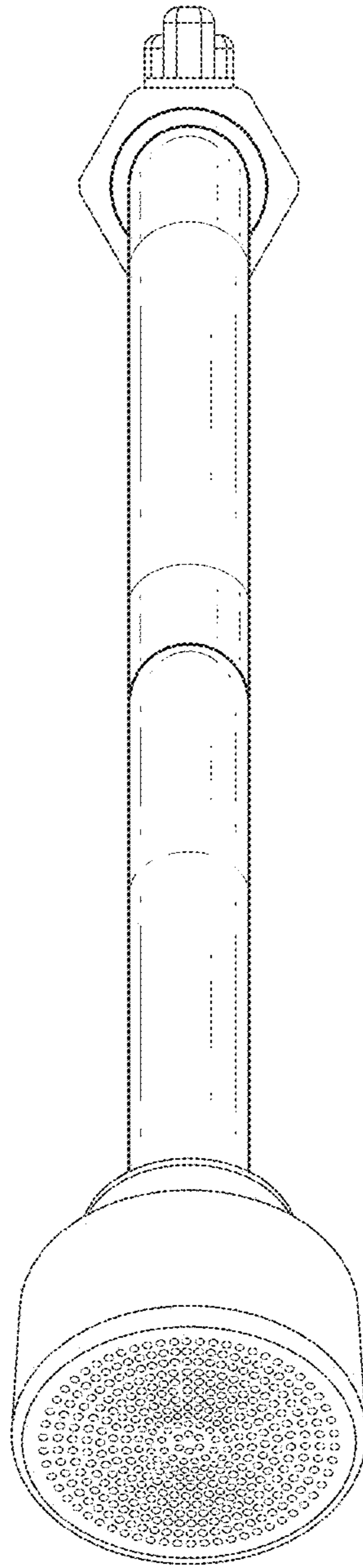


FIG. 2

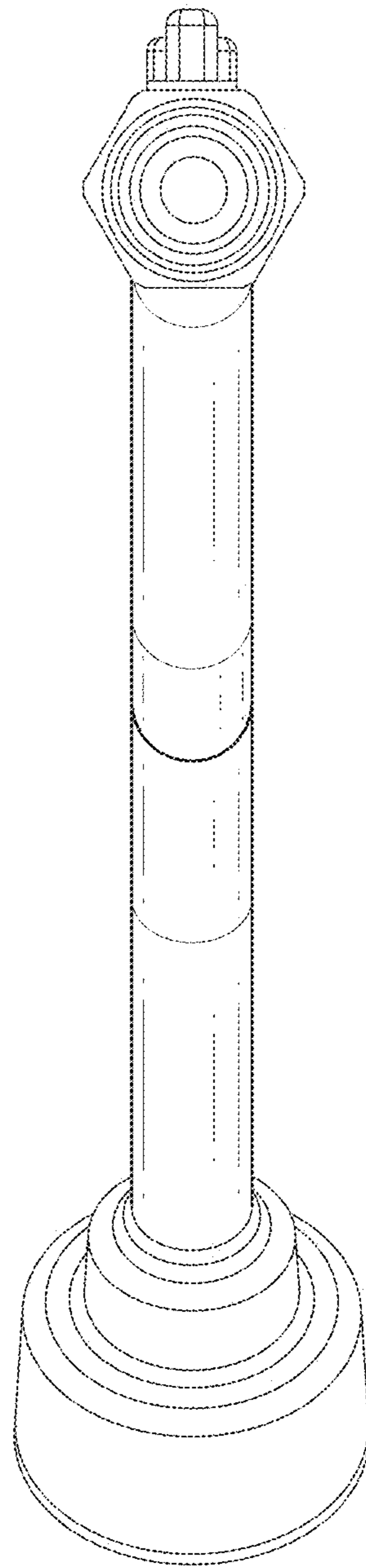


FIG. 3

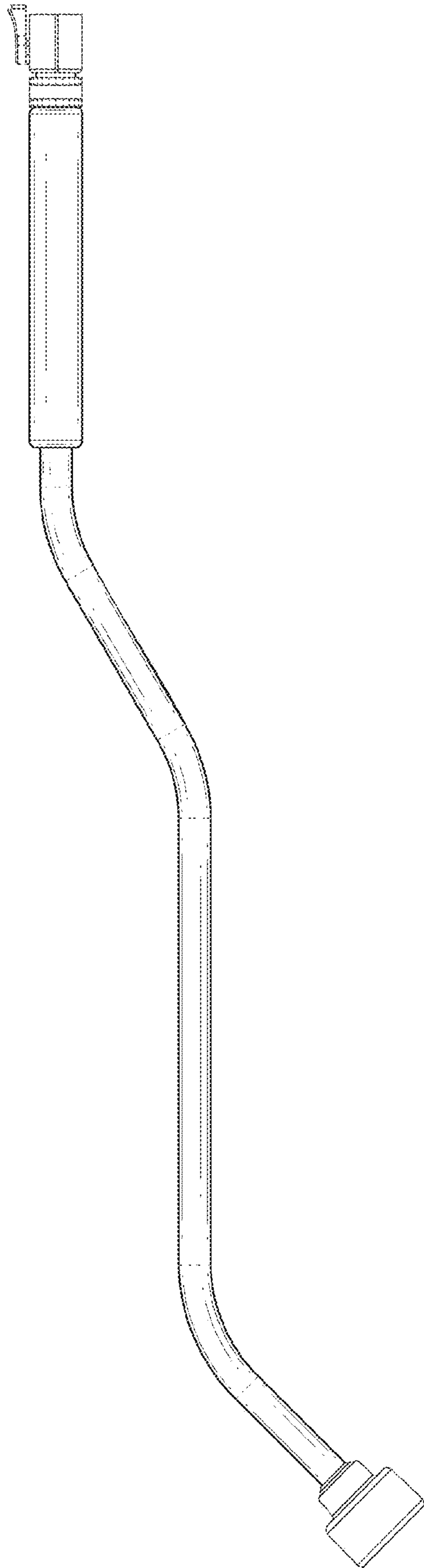


FIG. 4

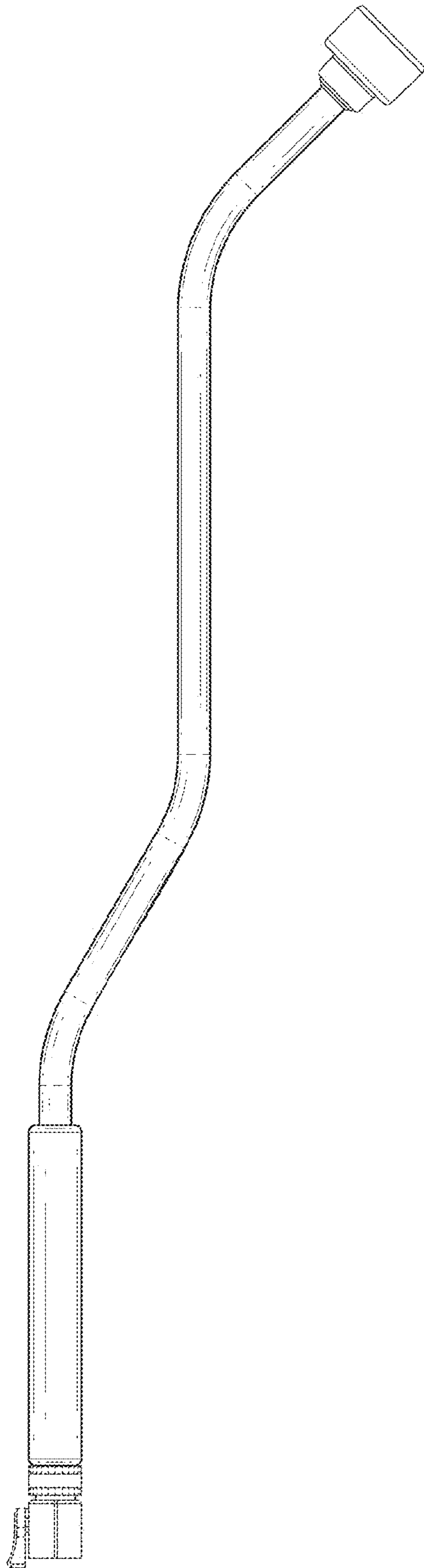


FIG. 5

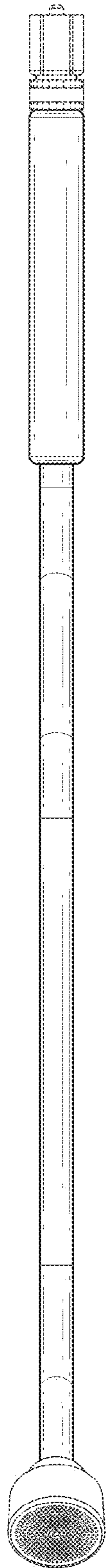


FIG. 6

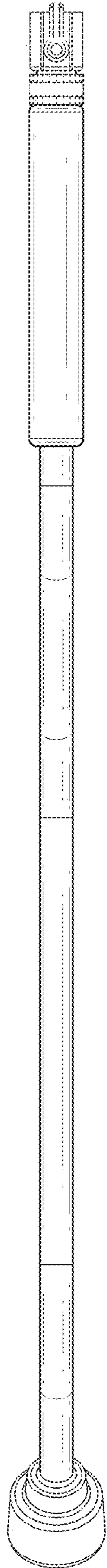


FIG. 7