



US00D938550S

(12) **United States Design Patent**
Downey

(10) **Patent No.:** **US D938,550 S**

(45) **Date of Patent:** **** Dec. 14, 2021**

(54) **SHOWERHEAD**

(71) Applicant: **Spectrum Brands, Inc.**, Middleton, WI (US)

(72) Inventor: **David Downey**, Mission Viejo, CA (US)

(73) Assignee: **Spectrum Brands, Inc.**, Middleton, WI (US)

(**) Term: **15 Years**

(21) Appl. No.: **29/732,124**

(22) Filed: **Apr. 21, 2020**

(51) **LOC (13) Cl.** **23-01**

(52) **U.S. Cl.**
USPC **D23/213**

(58) **Field of Classification Search**
USPC D23/213, 214, 215, 223, 224, 226, 229
CPC A61H 9/0021; A61H 33/00; B05B 1/00;
B05B 1/14; B05B 1/185; B05B 1/08;
B05B 1/02; B05B 1/26; B05B 12/002;
B05B 1/18; B05B 9/01

See application file for complete search history.

(56) **References Cited**

U.S. PATENT DOCUMENTS

D599,881 S *	9/2009	Wang	D23/213
D637,267 S *	5/2011	Suzuki	D23/213
D735,295 S *	7/2015	McKeone	D23/213
D861,129 S *	9/2019	Logar	D23/213
D864,350 S *	10/2019	Logar	D23/213
D913,419 S *	3/2021	Ladwig	D23/223
D913,422 S *	3/2021	Ladwig	D23/223
11,000,860 B2 *	5/2021	Wu	B05B 1/18
D922,522 S *	6/2021	Lin	D23/213
2021/0086205 A1 *	3/2021	Downey	A47K 3/28
2021/0129162 A1 *	5/2021	Quinn	B05B 1/34
2021/0187520 A1 *	6/2021	Hofman	B05B 1/18

OTHER PUBLICATIONS

https://www.amazon.com/Replacement-Nozzles-HammerHead-Showers-Silicone/dp/B085RHK9XM/ref=sr_1_113?dchild=1&keywords=shower+head+nozzle&qid=1611967375&sr=8-113 (Year: 2020).*

Shower Head Rainfall Luxury, Nov. 1, 2015, Amazon.com, Jul. 26, 2015, URL: <https://www.amazon.com/dp/B016C84YKU> (Year: 2015).*

Rainshower Shower Showers Replacement Shower Head, Jul. 11, 2019, Amazon.com, Jul. 26, 2021, URL: https://www.amazon.com/dp/B07V4L9T6P/ref=sbl_dpx_B07NVVQ71R_0 (Year: 2019).*

6 Sprays High Pressure Powerful Rain Shower Head, Jul. 20, 2020, Amazon.com, Jul. 26, 2021, URL: <https://www.amazon.com/Pressure-Showerhead-Adjustable-Joint%EF%BC%8CFUNTAPHANTA-Experience/dp/B08D97PD9H> (Year: 2020).*

(Continued)

Primary Examiner — Jack Reickel

Assistant Examiner — Keith J Wilson

(74) *Attorney, Agent, or Firm* — Banner & Witcoff, Ltd.

(57) **CLAIM**

The ornamental design for a showerhead, as shown and described.

DESCRIPTION

FIG. 1 is a front perspective view of a showerhead showing my new design;

FIG. 2 is a front view thereof;

FIG. 3 is a right side view thereof;

FIG. 4 is a left side view thereof;

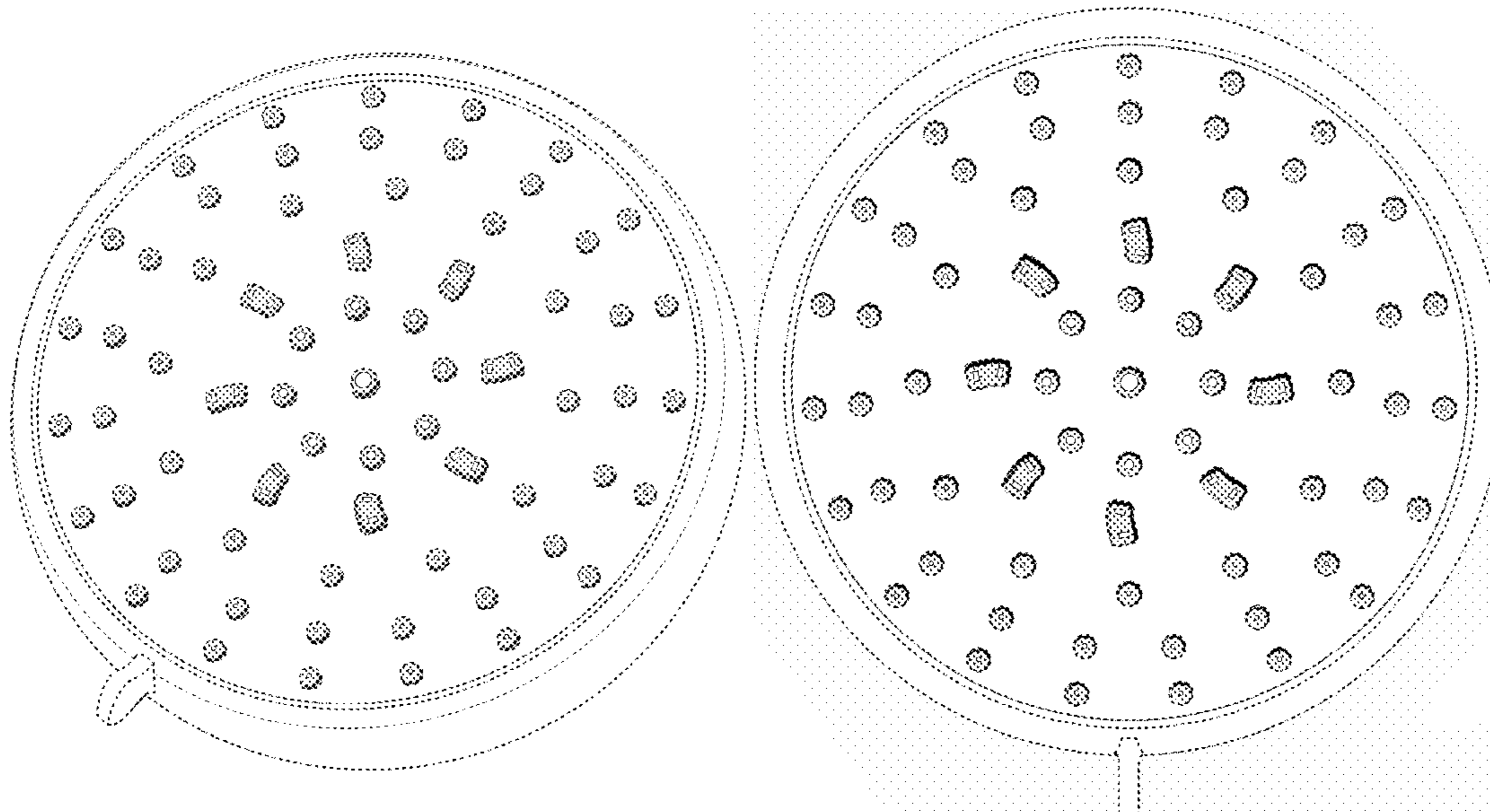
FIG. 5 is a top view thereof;

FIG. 6 is a bottom view thereof; and,

FIG. 7 is a front view of the showerhead of FIGS. 1-6 shown with a disclaimed handle as environment.

The broken lines and unshaded regions represent portions of the showerhead which form no part of the claimed design.

1 Claim, 6 Drawing Sheets



(56)

References Cited

OTHER PUBLICATIONS

Kohler K-72424-BN Awaken B90 Multifunction Showerhead, May 7, 2013, Amazon.com, Jul. 26, 2021.URL: https://www.amazon.com/dp/B00CP71LX6/ref=sbl_dp_x_B08D97PD9H_0 (Year: 2013).*

Proflo PFSH309GBN Proflo PFSH309G 1.8 GPM Single Function Shower Head, Jan. 15, 2020, Amazon.com, Jul. 26, 2021.URL: <https://www.amazon.com/PROFLO-PFSH309GBN-PFSH309G-Single-Function/dp/B083W64519> (Year: 2020).*

* cited by examiner

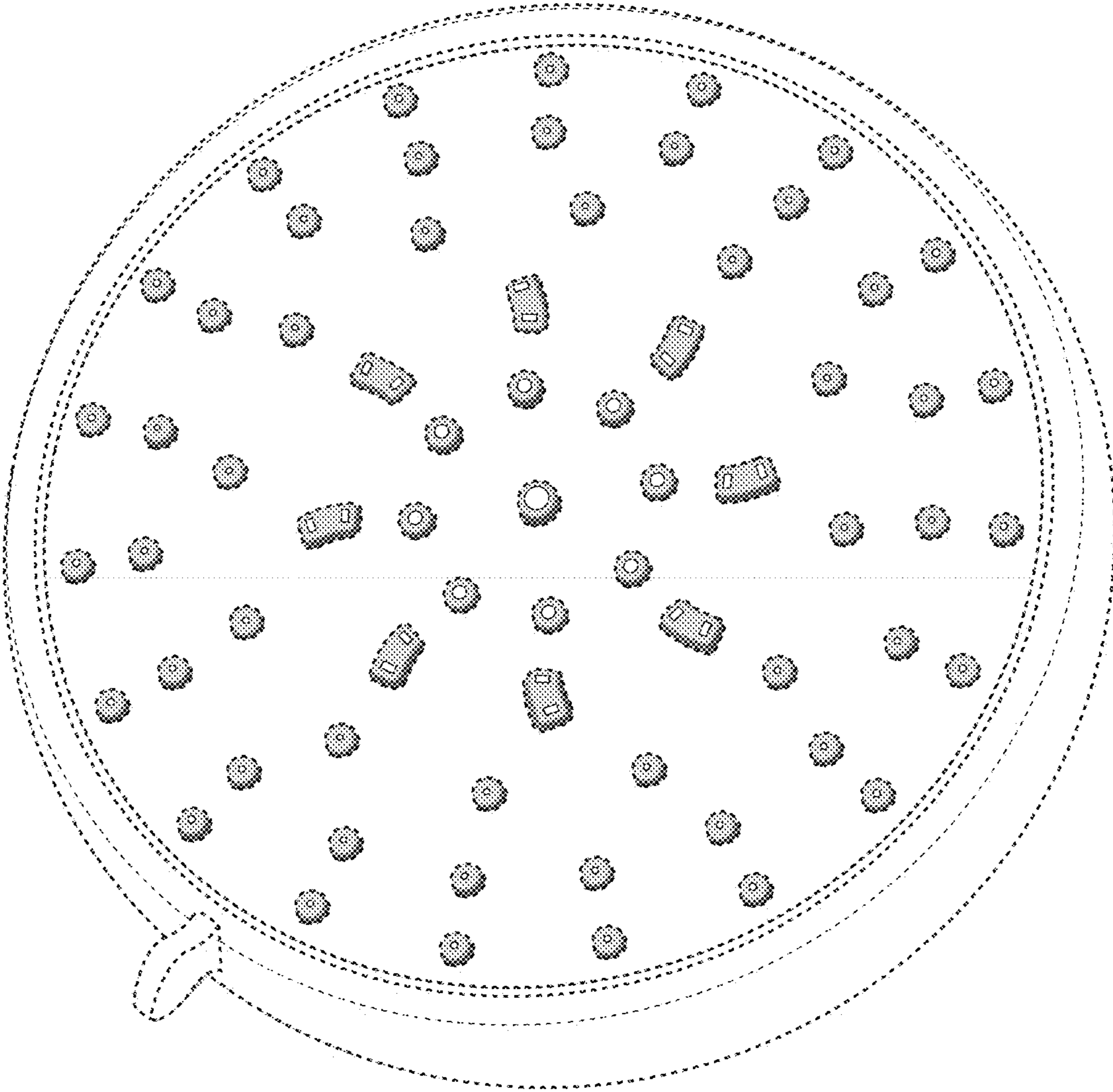


FIG. 1

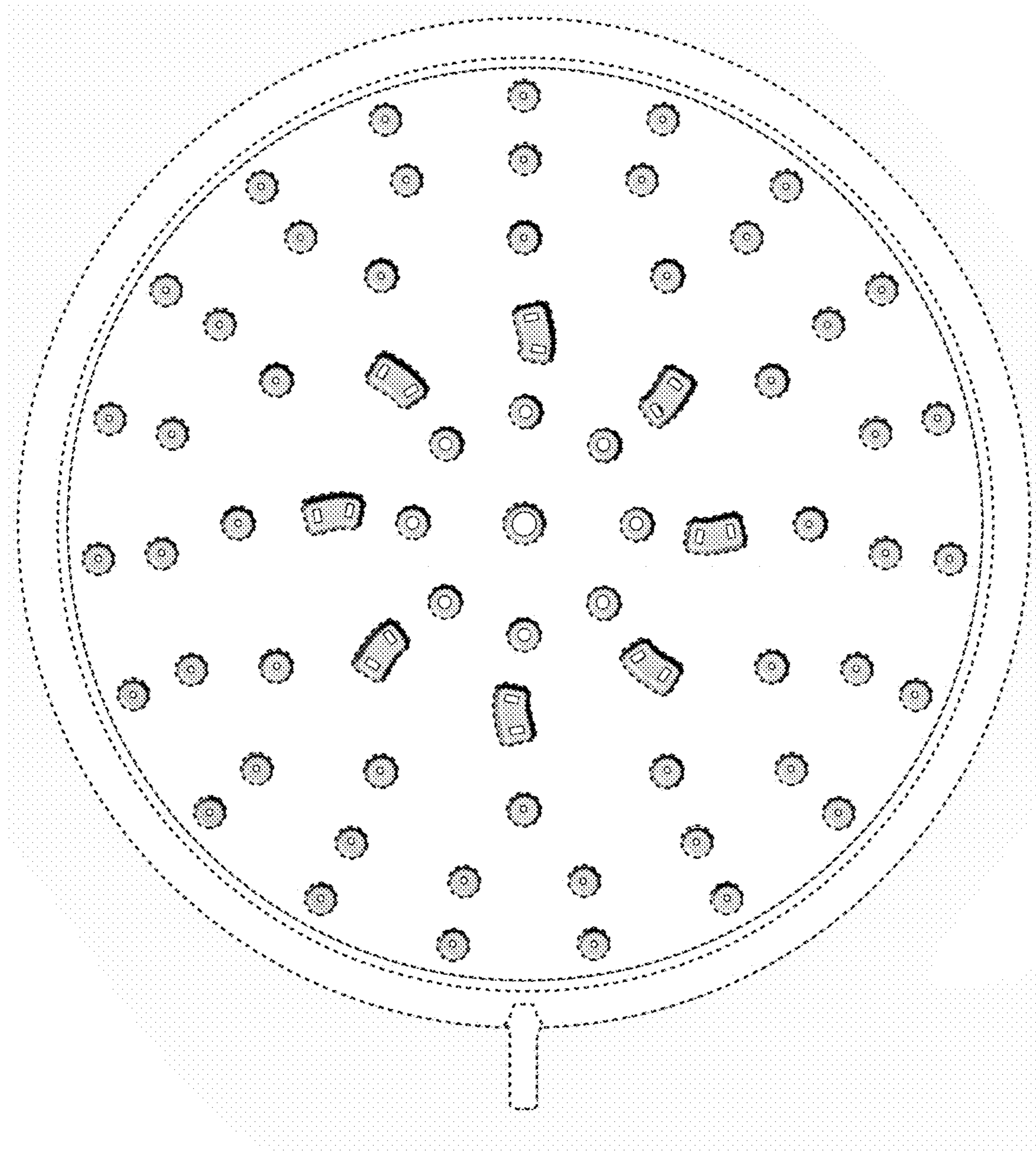


FIG. 2

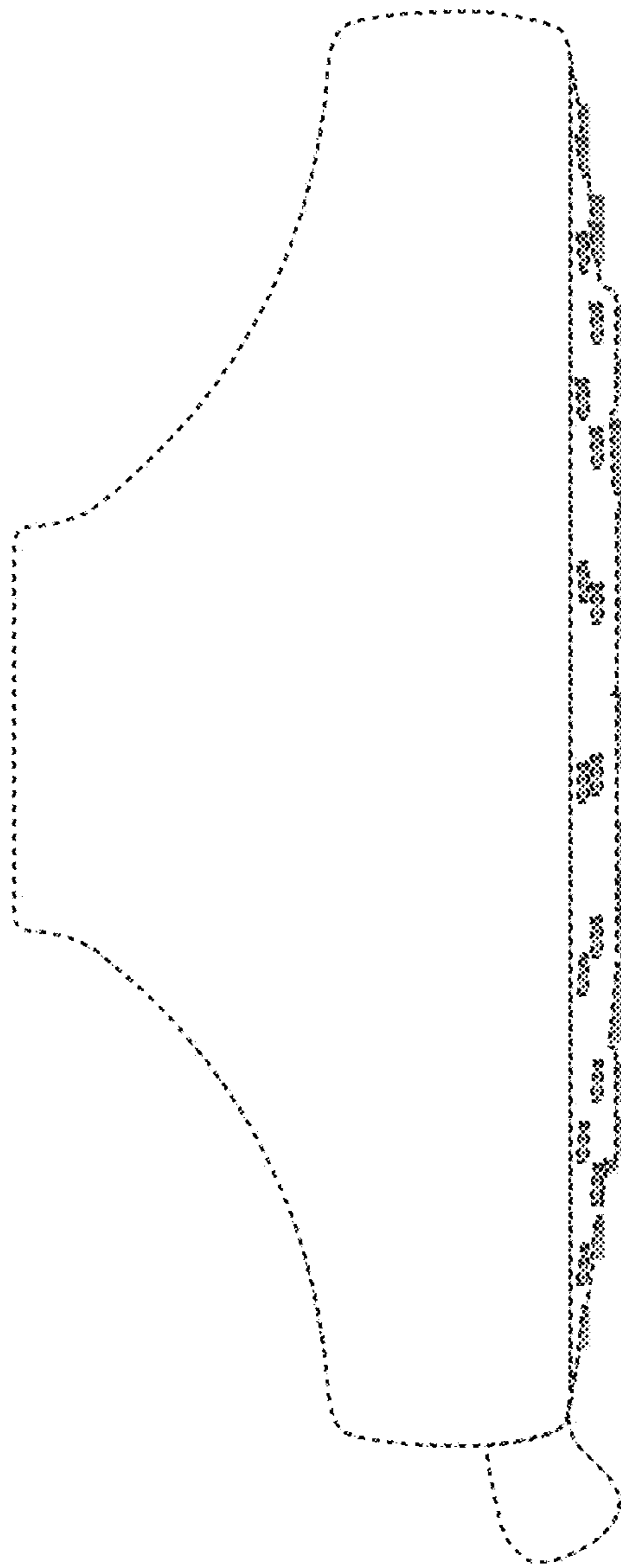


FIG. 3

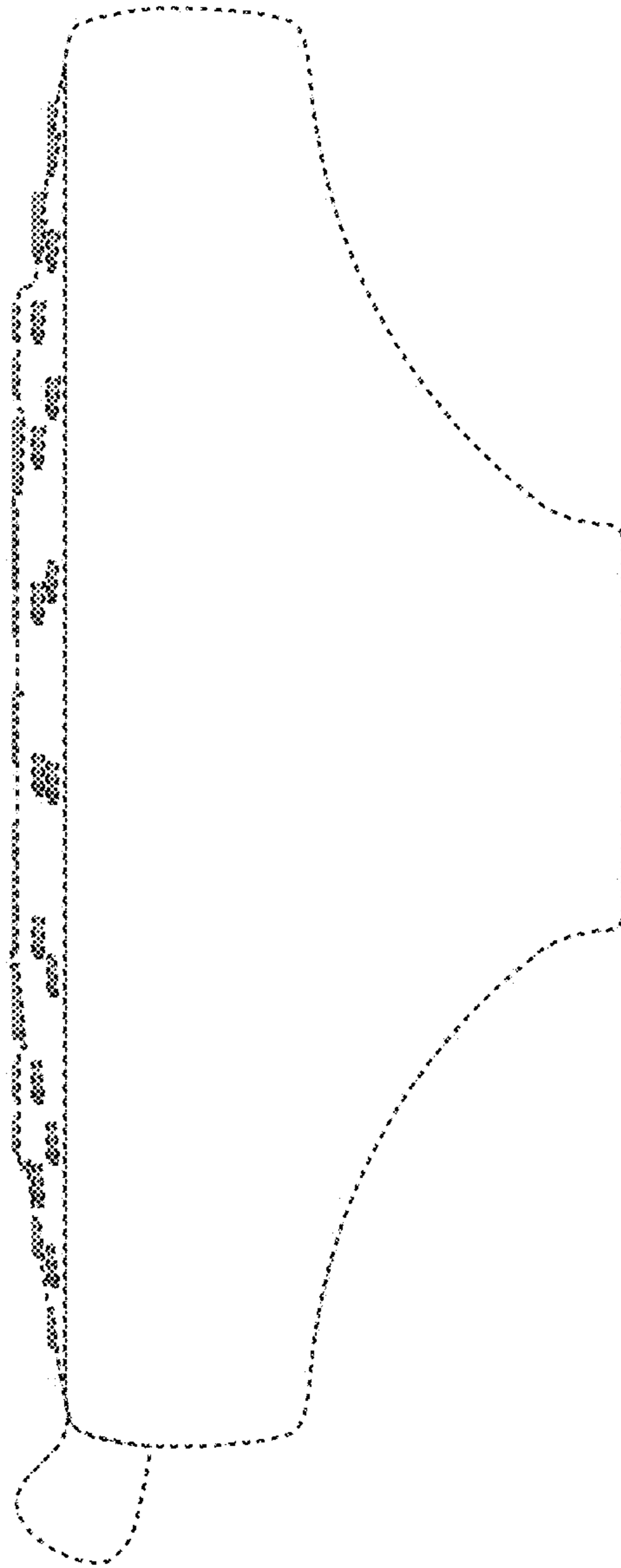


FIG. 4

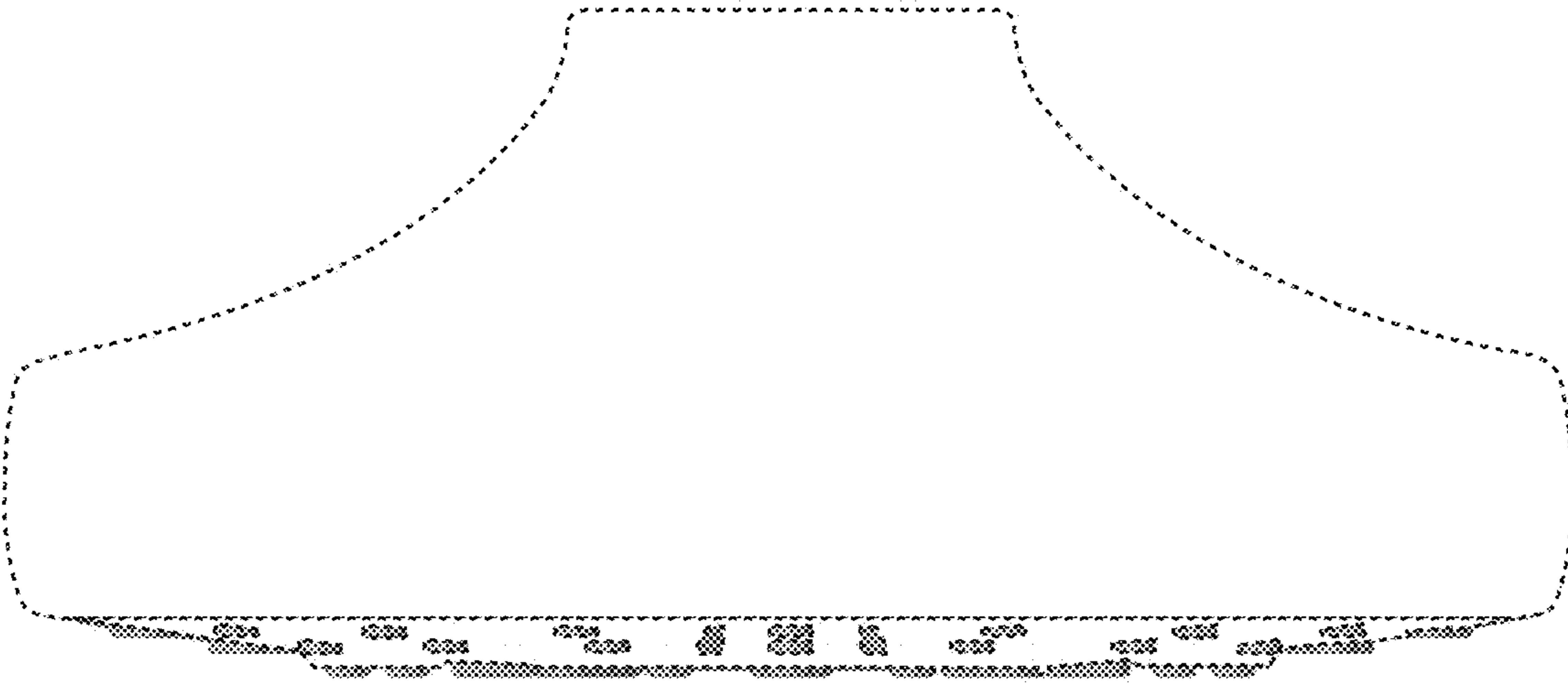


FIG. 5

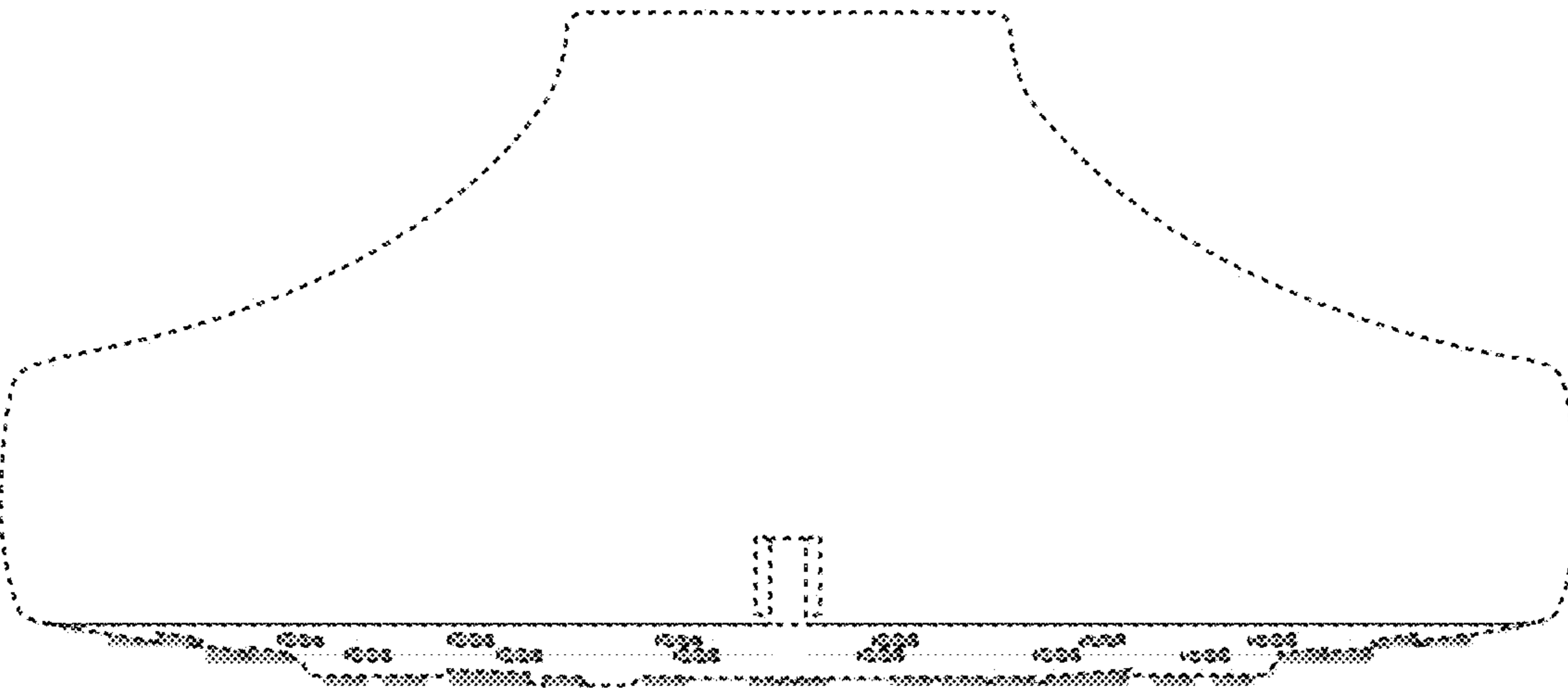


FIG. 6

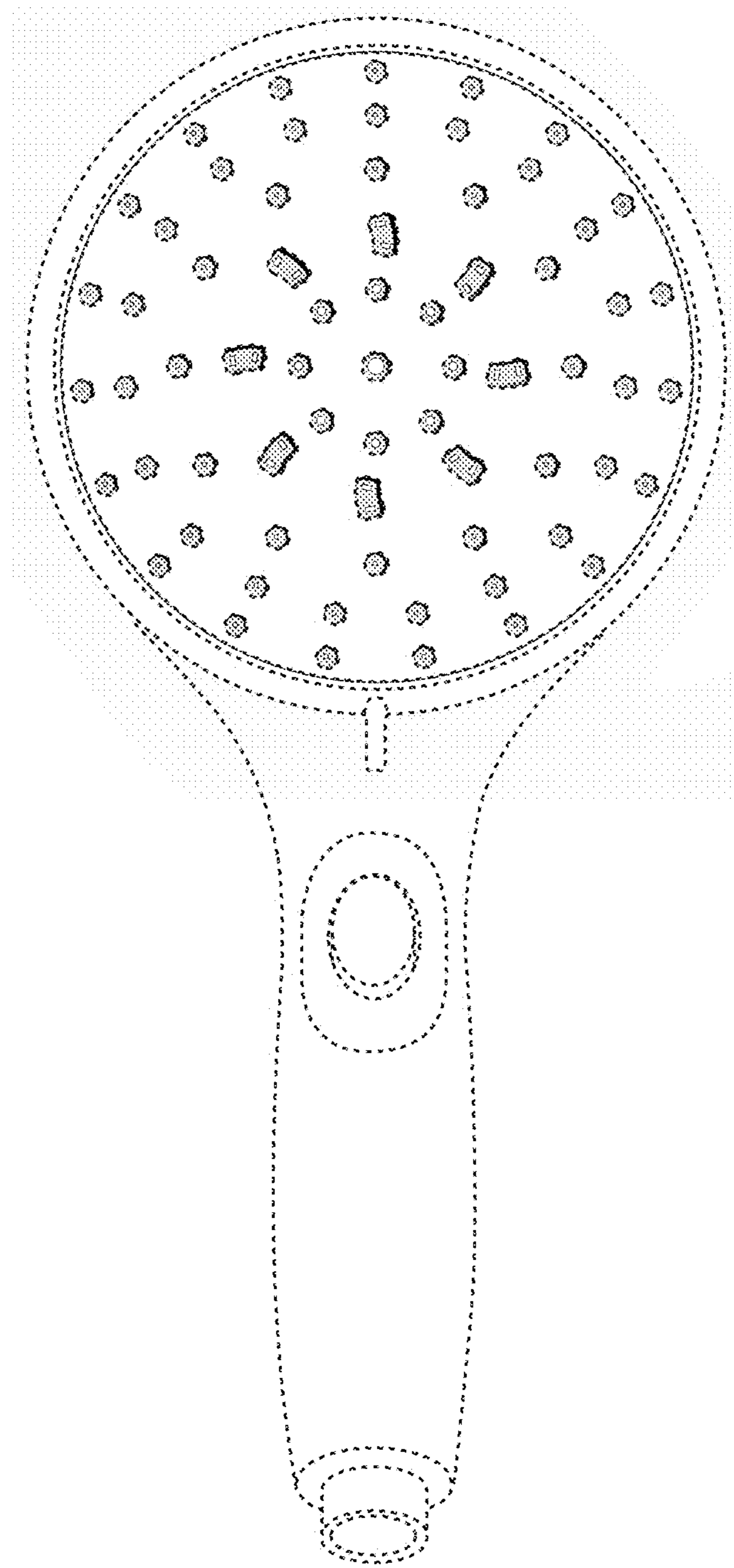


FIG. 7