



US00D938549S

(12) **United States Design Patent**
Ben-Horin et al.

(10) **Patent No.: US D938,549 S**

(45) **Date of Patent: ** *Dec. 14, 2021**

(54) **FILTRATION SYSTEM**

(71) Applicant: **AMIAD WATER SYSTEMS LTD.,**
Upper Galil (IL)

(72) Inventors: **Raanan Ben-Horin**, Beit Zera (IL);
Kfir Atias, Amnon (IL); **Alex Zendel**,
Kiriath Motzkin (IL)

(73) Assignee: **AMIAD WATER SYSTEMS LTD.,**
Upper Galil (IL)

(*) Notice: This patent is subject to a terminal disclaimer.

(**) Term: **15 Years**

(21) Appl. No.: **29/720,029**

(22) Filed: **Jan. 9, 2020**

(30) **Foreign Application Priority Data**

Jul. 10, 2019 (IL) 63909

(51) **LOC (13) Cl.** **23-01**

(52) **U.S. Cl.**
USPC **D23/207**

(58) **Field of Classification Search**
USPC D23/200, 205, 206, 207, 208, 209, 210,
D23/233

CPC B01D 61/00; B01D 63/00; C02F 1/002;
C02F 1/003; C02F 1/004; C02F 9/005
See application file for complete search history.

(56) **References Cited**

U.S. PATENT DOCUMENTS

D223,828 S * 6/1972 Smith D23/209
5,073,260 A * 12/1991 Wilkendorf B01D 35/12
210/238
6,394,412 B2 * 5/2002 Zakai F16K 31/402
137/487.5

6,666,976 B2 * 12/2003 Benenson, Jr. B01D 29/15
210/784
7,021,671 B2 * 4/2006 Evans E03F 1/002
137/561 A
D520,595 S * 5/2006 Johnson D23/207
D681,159 S * 4/2013 Ben-Horin D23/209
9,744,485 B2 * 8/2017 Burns B01D 29/52
D907,172 S * 1/2021 Slavinsky D23/207
D909,531 S * 2/2021 Slavinsky D23/207
2009/0120461 A1 * 5/2009 Johnson B01D 17/0202
134/13
2012/0042781 A1 * 2/2012 Berthome F25J 3/0489
96/126

(Continued)

OTHER PUBLICATIONS

“Spin Klin Arkal Netafim”, YouTube, Apr. 2, 2013, site visited Jun. 14, 2021: <https://www.youtube.com/watch?v=erZHX5tVRbY> (Year: 2013).*

(Continued)

Primary Examiner — Jack Reickel

Assistant Examiner — Bobby W Jones, II

(74) *Attorney, Agent, or Firm* — Tutunjian & Bitetto, P.C.

(57) **CLAIM**

The ornamental design for a filtration system, as shown and described.

DESCRIPTION

FIG. 1 is a perspective view of the filtration system showing our new design;

FIG. 2 is a front view thereof;

FIG. 3 is a rear view thereof;

FIG. 4 is a left side view thereof;

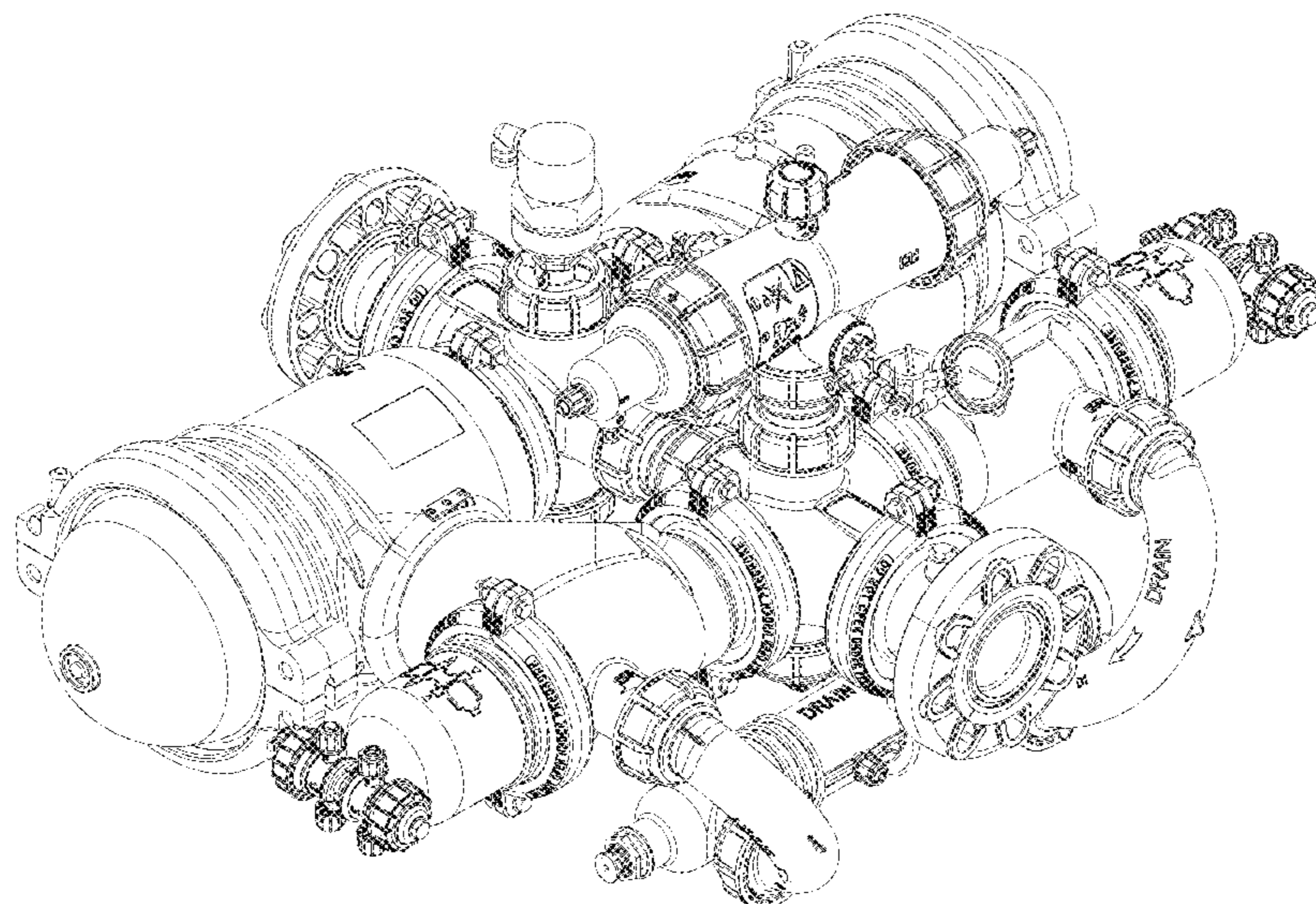
FIG. 5 is a right side view thereof;

FIG. 6 is a top view thereof; and,

FIG. 7 is a bottom view thereof.

The broken lines in the drawings depict environmental structure that forms no part of the claimed design.

1 Claim, 7 Drawing Sheets



(56)

References Cited

U.S. PATENT DOCUMENTS

2012/0125831 A1* 5/2012 Huang A23L 2/70
 210/223
 2013/0200012 A1* 8/2013 Holmes B01D 21/0006
 210/804
 2013/0255202 A1* 10/2013 Shamir B01D 29/114
 55/303
 2013/0256213 A1* 10/2013 Ben-Horin B01D 46/001
 210/345
 2015/0048033 A1* 2/2015 Burns B01D 29/661
 210/741
 2016/0097247 A1* 4/2016 Marco B01D 29/688
 166/308.1
 2016/0175779 A1* 6/2016 Davie C02F 1/44
 210/636
 2016/0355419 A1* 12/2016 Chauvin B63J 4/006
 2018/0347100 A1* 12/2018 Poy B01D 65/02
 2019/0060834 A1* 2/2019 Katz C02F 1/441

2019/0308890 A1* 10/2019 Casbeer C02F 1/56
 2020/0140307 A1* 5/2020 Dow B01D 61/12
 2021/0017044 A1* 1/2021 Lolling C02F 1/004
 2021/0069615 A1* 3/2021 Nap B01D 36/045

OTHER PUBLICATIONS

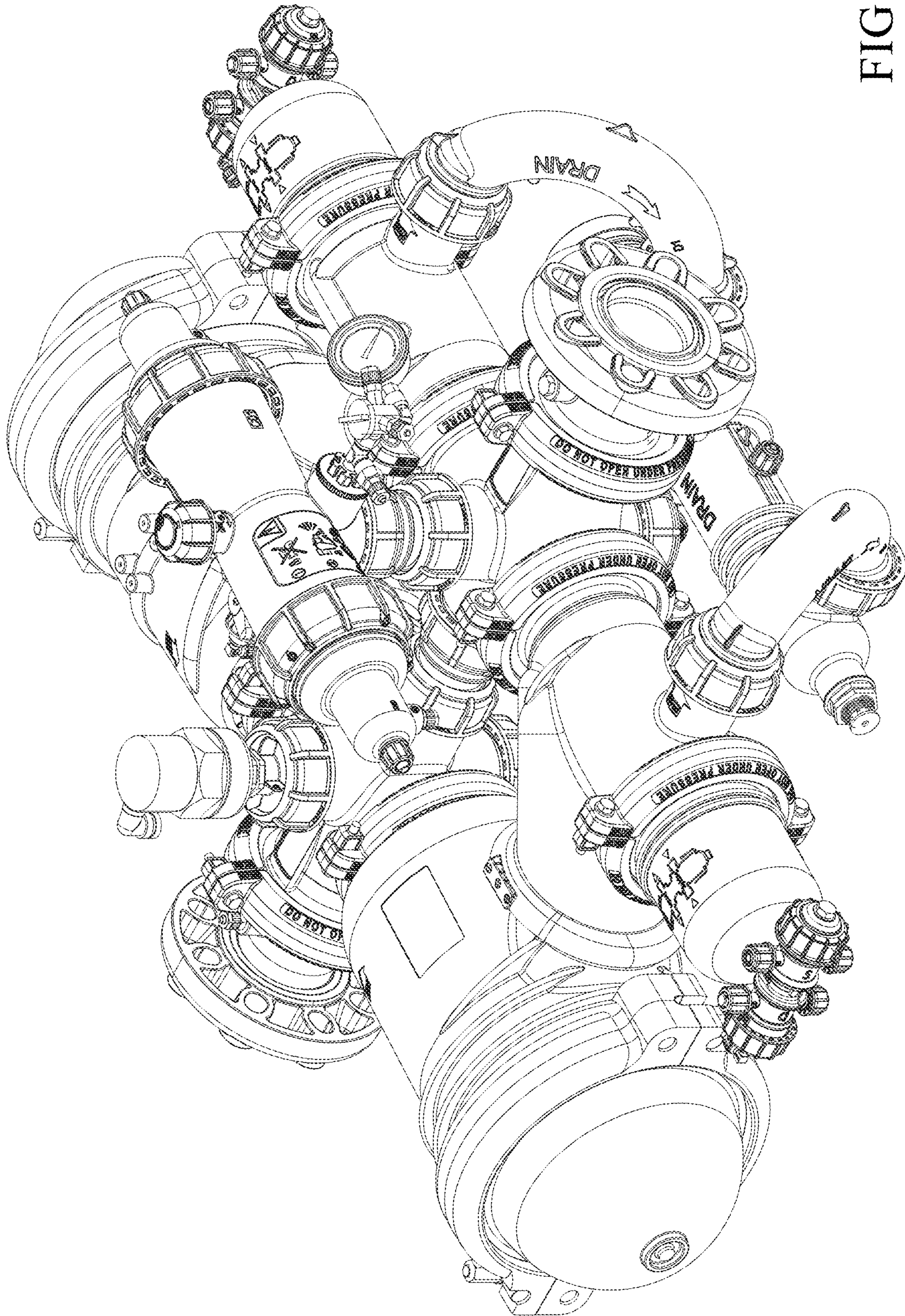
“Apollo Disc Kleen Filter”, YouTube, Mar. 5, 2015, site visited Jun. 14, 2021: <https://www.youtube.com/watch?v=BmEkrby6Mps> (Year: 2015).*

“2 Spin Klin”, Amiad, May 2019, site visited Jun. 14, 2021: <https://amiad.com/download/?hash=YTozOntpOjA7aTo0Mzk5O2k6MTtpOjE7aToyO3M6NDM6Imh0dHBzOi8vYW1pYWQuY29tL3Byb2R1Y3RzLzltc3Bpbi1rbGluLWlyci8iO30=> (Year: 2019).*

“Spin Klin Nova”, Amiad, Apr. 2021, site visited Jun. 14, 2021: <https://amiad.com/download/?hash=YTozOntpOjA7aTo0ODQwMTtpOjE7aToxO2k6MjtzOjQ2iJodHRwczovL2FtaWFkLmNvbS9wcm9kdWN0cy9zcGluLWtsaW4tbm92YS1pcnlvlt9> (Year: 2021).*

* cited by examiner

FIG. 1



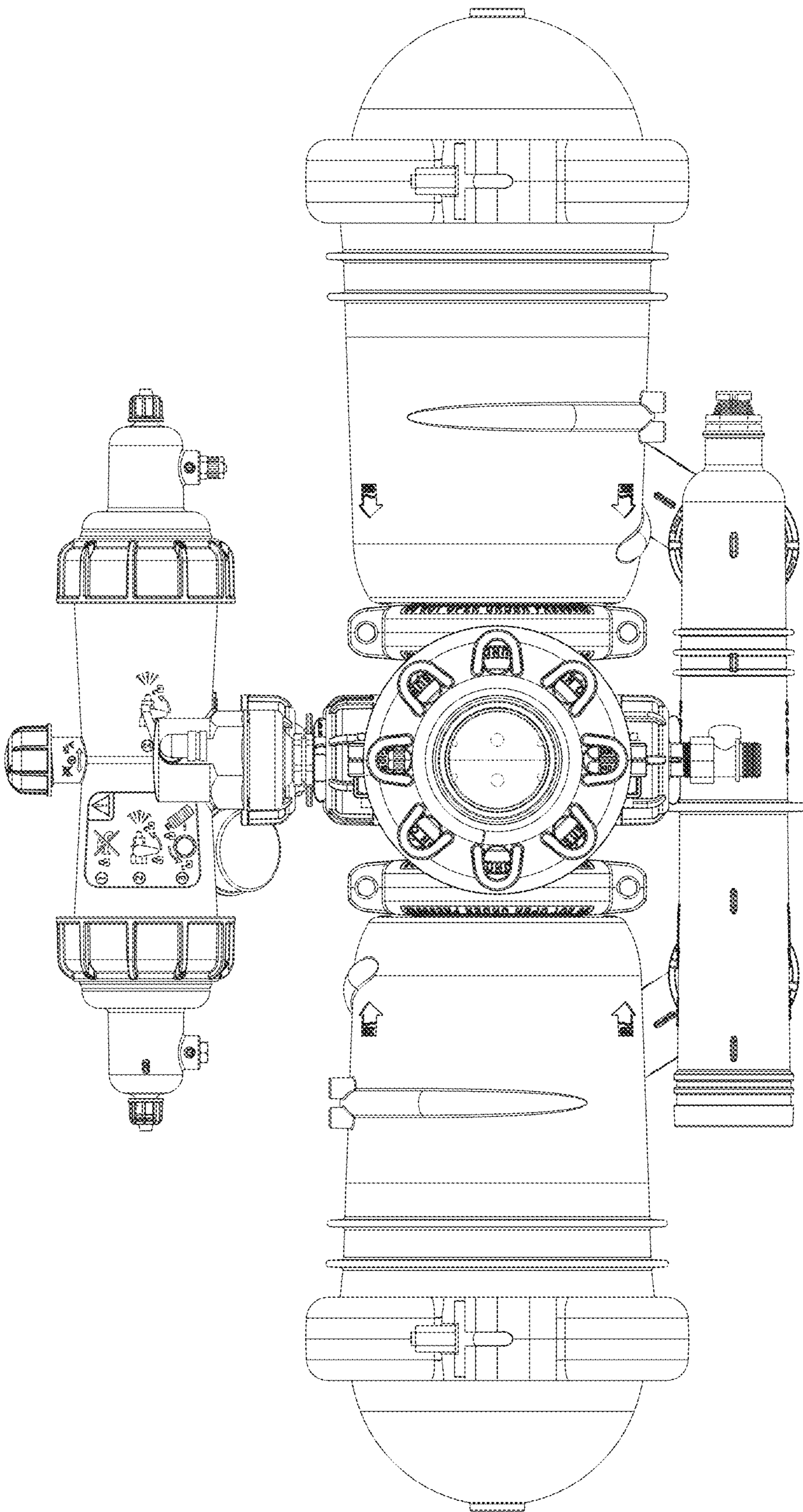


FIG. 2

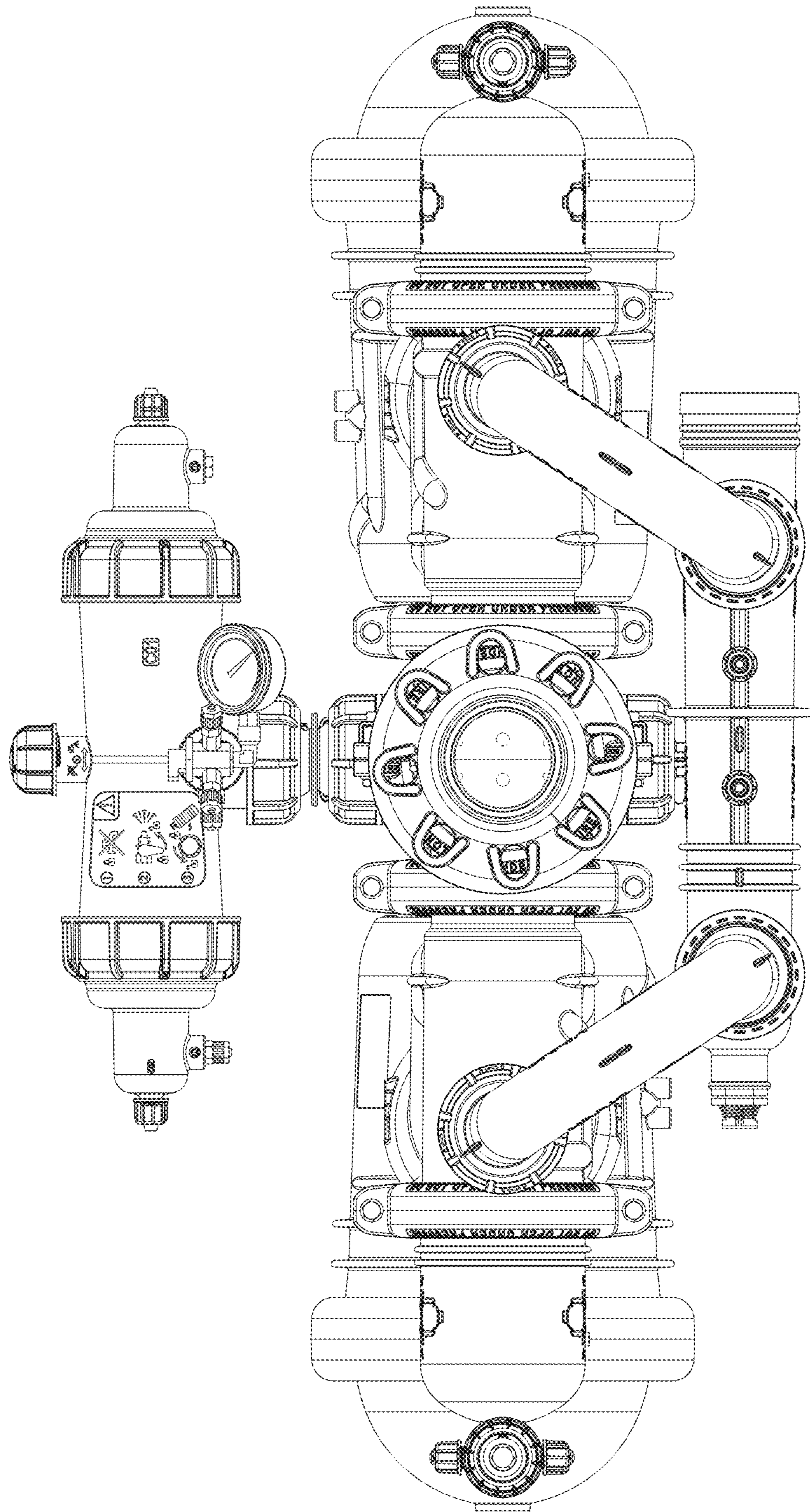


FIG. 3

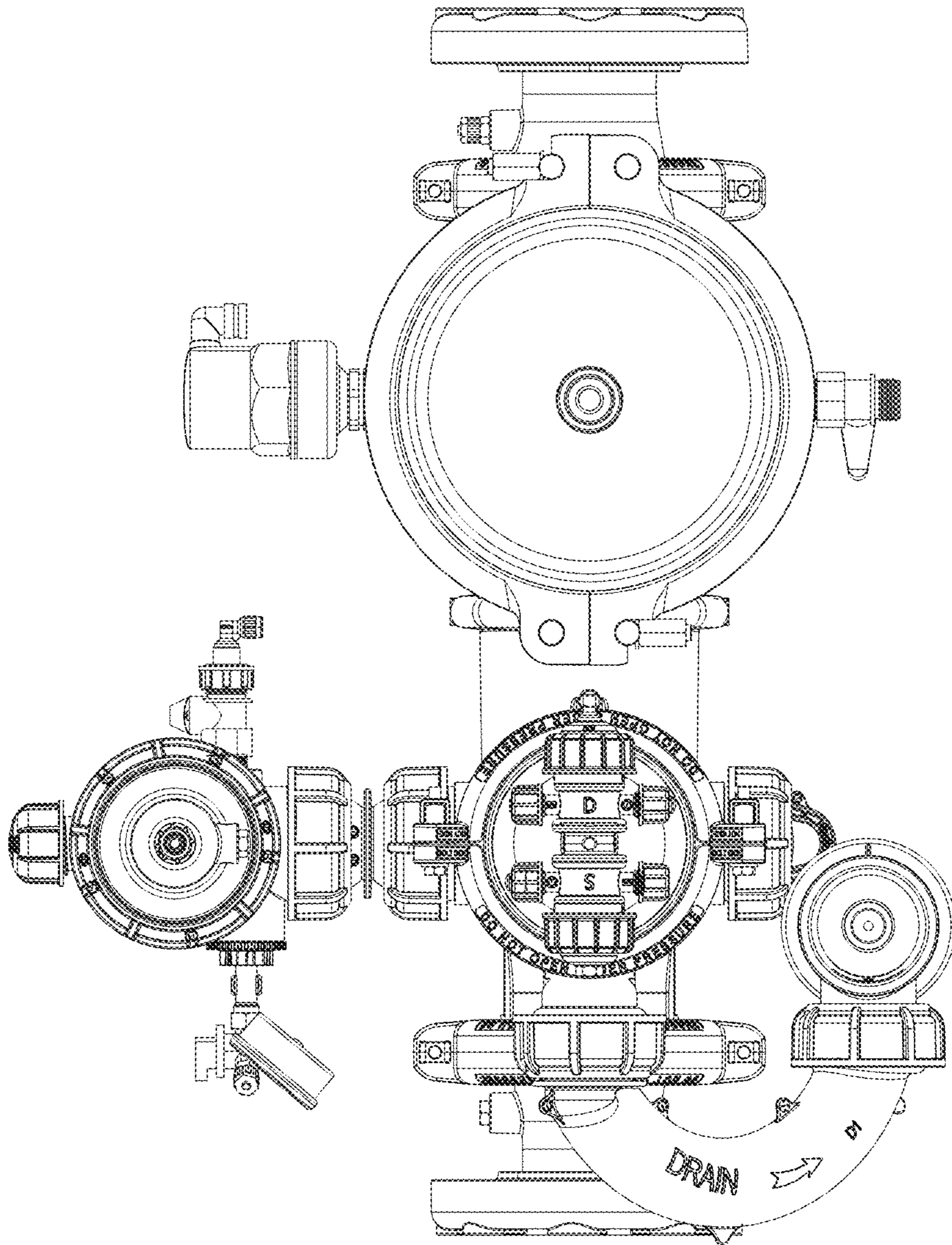


FIG. 4

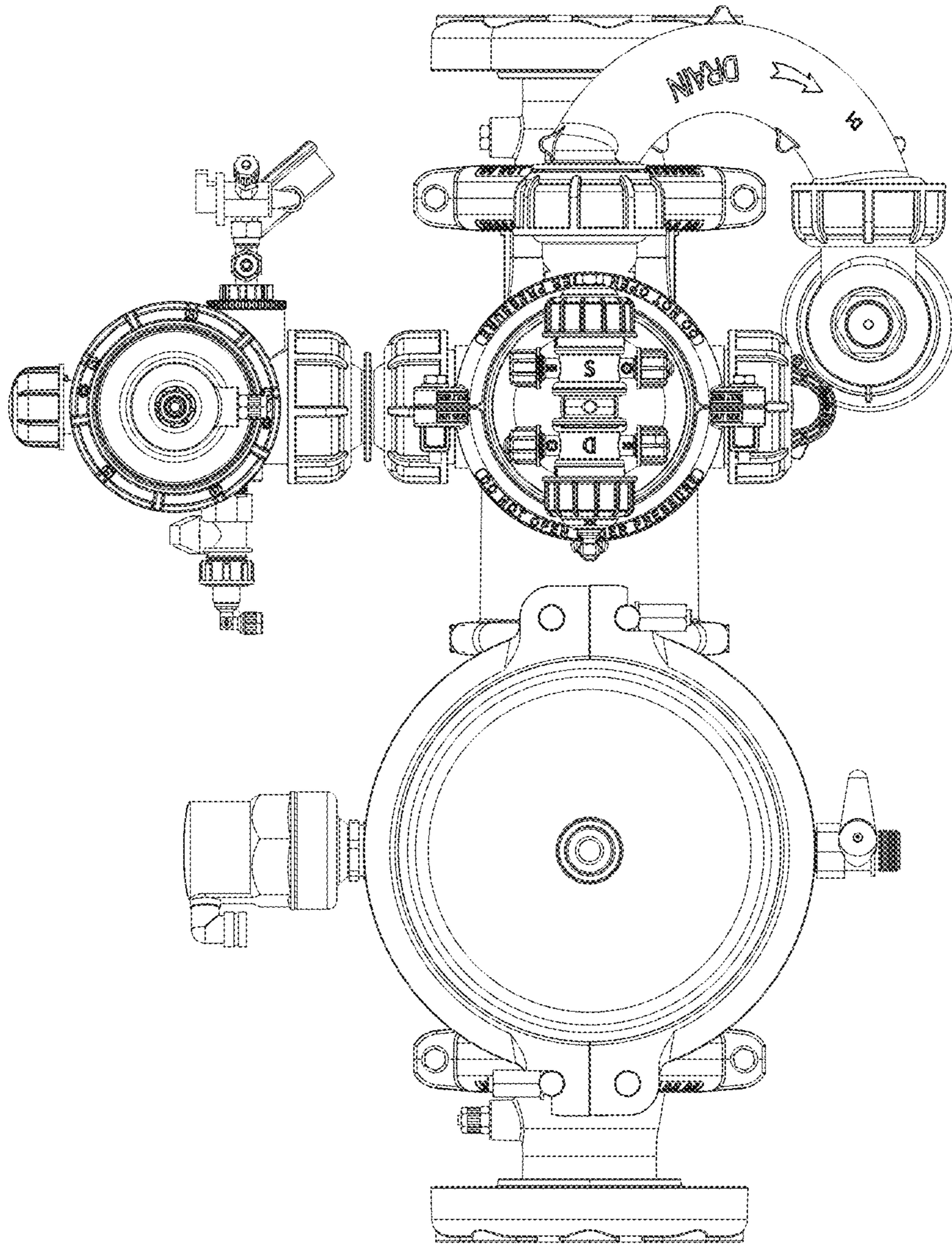


FIG. 5

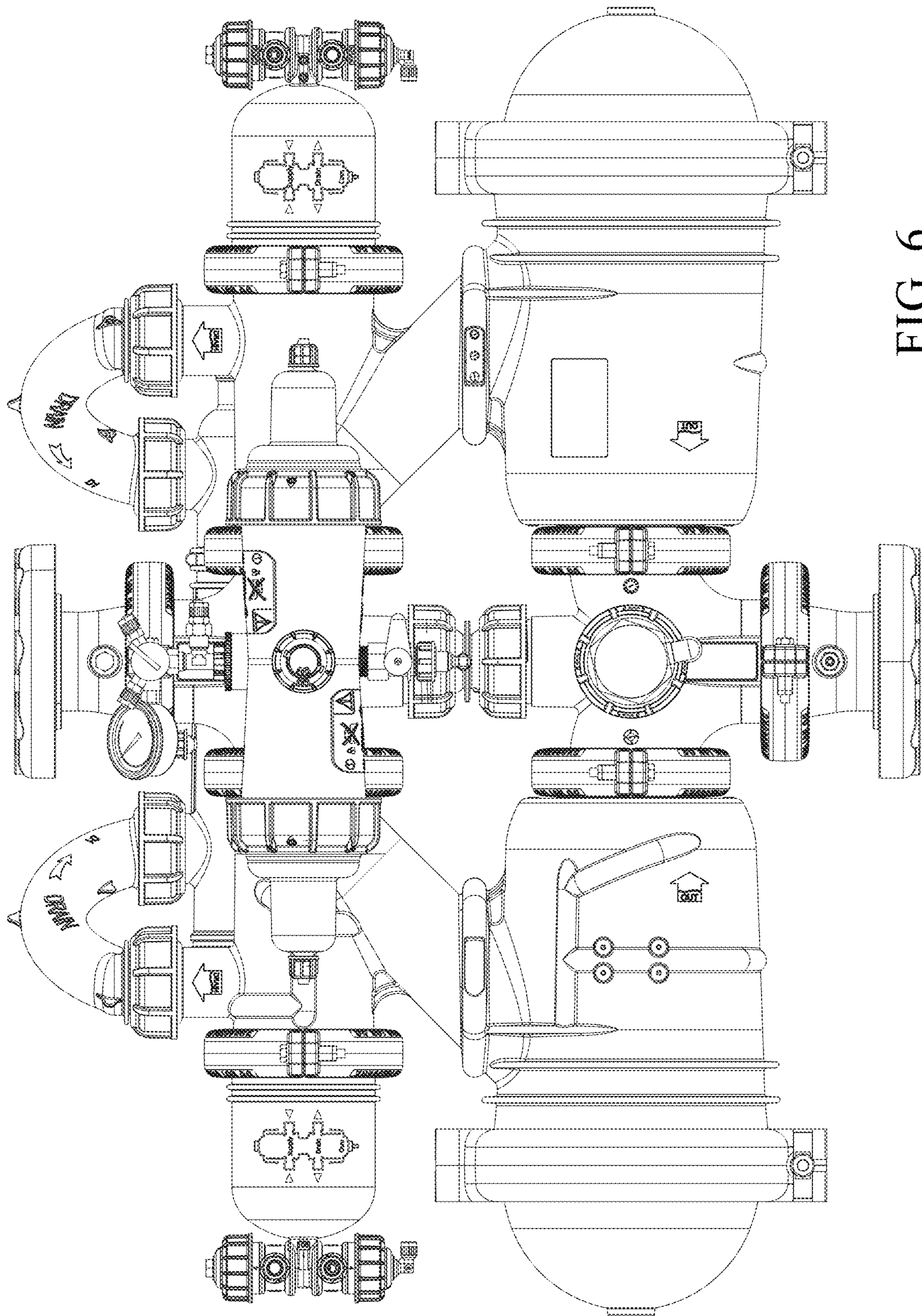


FIG. 6

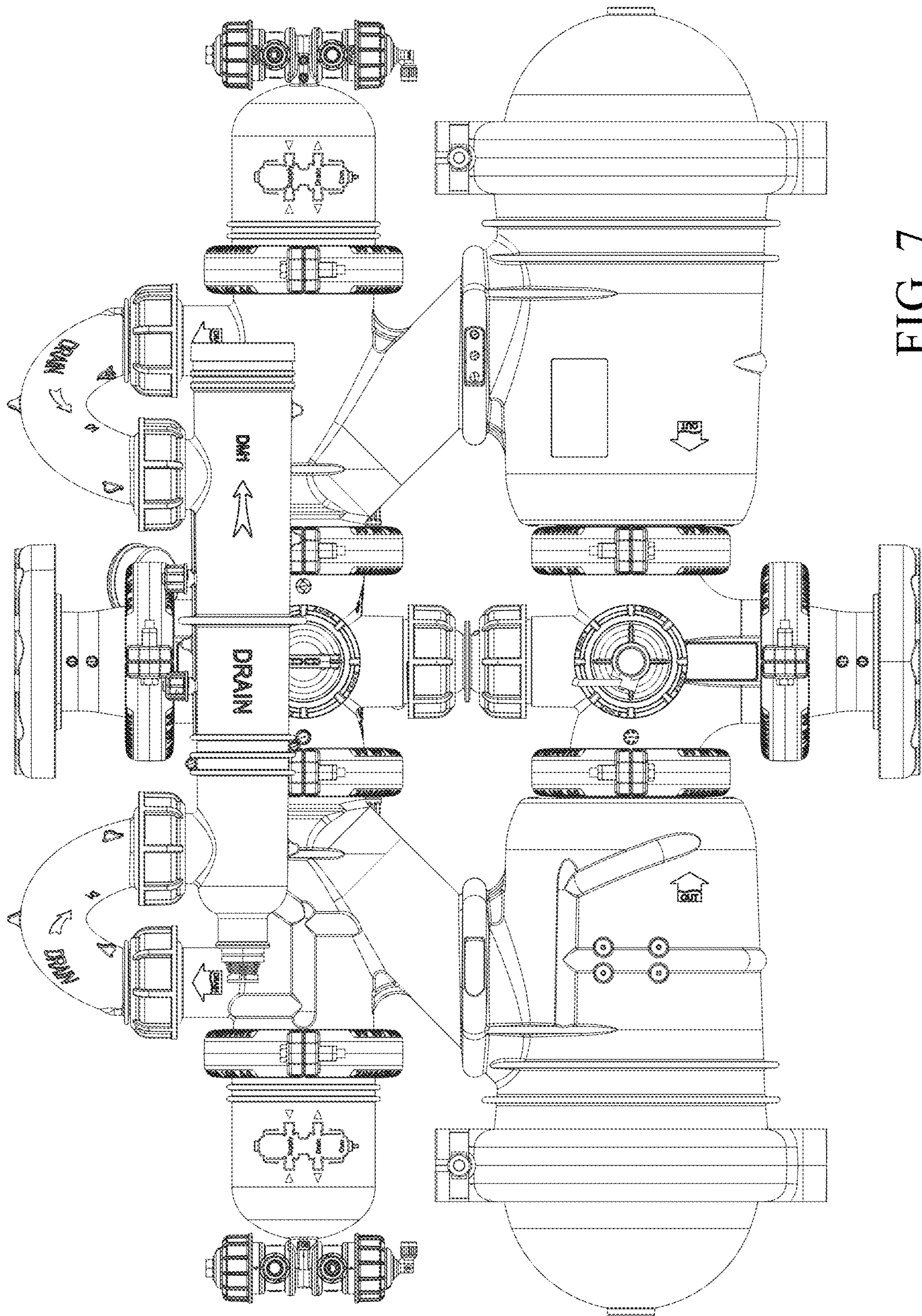


FIG. 7