



US00D938548S

(12) **United States Design Patent** (10) **Patent No.:** **US D938,548 S**  
**Herrington** (45) **Date of Patent:** **\*\* Dec. 14, 2021**

(54) **WATER DISINFECTANT GENERATOR**

(71) Applicant: **Aqua Research LLC**, Albuquerque, NM (US)

(72) Inventor: **Rodney E Herrington**, Albuquerque, NM (US)

(73) Assignee: **Aqua Research LLC**, Albuquerque, NM (US)

(\*\*) Term: **15 Years**

(21) Appl. No.: **29/708,432**

(22) Filed: **Oct. 6, 2019**

(51) **LOC (13) Cl.** ..... **23-01**

(52) **U.S. Cl.**  
USPC ..... **D23/207**

(58) **Field of Classification Search**  
USPC ..... D23/200, 201, 202, 203, 206, 207, 209, D23/210, 211.1; D15/7, 8; D8/201, 273, D8/276, 302, 316  
CPC ..... F17C 13/08; F17C 13/084; F17C 2205/0165; B01D 35/00; C02F 1/002; C02F 1/006  
See application file for complete search history.

(56) **References Cited**

U.S. PATENT DOCUMENTS

D89,335 S *	2/1933	Funk	.....	D23/207
D214,021 S *	5/1969	Bacialli	.....	D23/211.1
D214,995 S *	8/1969	Shutt	.....	D23/211.1
D251,674 S *	4/1979	Sayward	.....	D23/202
D308,632 S *	6/1990	Fick	.....	D23/202
D315,497 S *	3/1991	Kamerichs	.....	D23/211.1
D331,791 S *	12/1992	Ferguson	.....	D23/202
D338,158 S *	8/1993	Poirier	.....	D23/211.1
D362,546 S *	9/1995	Mundorf	.....	D3/273
D368,371 S *	4/1996	Calmeise	.....	D3/276
D386,240 S *	11/1997	Howseman, Jr.	.....	D23/202

D609,776 S *	2/2010	Nirenberg	.....	D23/211.1
D643,905 S *	8/2011	DeLorme	.....	D23/202
D657,558 S *	4/2012	Cover	.....	D3/270
D743,169 S *	11/2015	Therkorn	.....	D3/282
D760,869 S *	7/2016	Sanders	.....	D23/211.1
D779,629 S *	2/2017	Kemper	.....	D23/207
D794,445 S *	8/2017	Yourist	.....	D9/428
D847,209 S *	4/2019	Hessam	.....	D15/7
10,633,261 B1 *	4/2020	Bondurant	.....	B01D 65/02
2010/0314306 A1 *	12/2010	Wadstrom	.....	F24S 60/30 210/175

(Continued)

OTHER PUBLICATIONS

Aqua Research H2gO photo, Dec. 4, 2012, Facebook, site visited Jul. 16, 2021: [https://www.facebook.com/AquaResearchLLC/photos/a.333702403403362/333702483403354/\(Year:2012\).\\*](https://www.facebook.com/AquaResearchLLC/photos/a.333702403403362/333702483403354/(Year:2012).*)

(Continued)

*Primary Examiner* — Jack Reickel  
*Assistant Examiner* — Bobby W Jones, II  
(74) *Attorney, Agent, or Firm* — V Gerald Grafe

(57) **CLAIM**

I claim the ornamental design for a water disinfectant generator, as shown and described.

**DESCRIPTION**

FIG. 1 is a front plan view of a water disinfectant generator showing my new design.

FIG. 2 is a right side elevational view thereof; the left side elevational view is a mirror image of the right side elevational view.

FIG. 3 is a top plan view thereof.

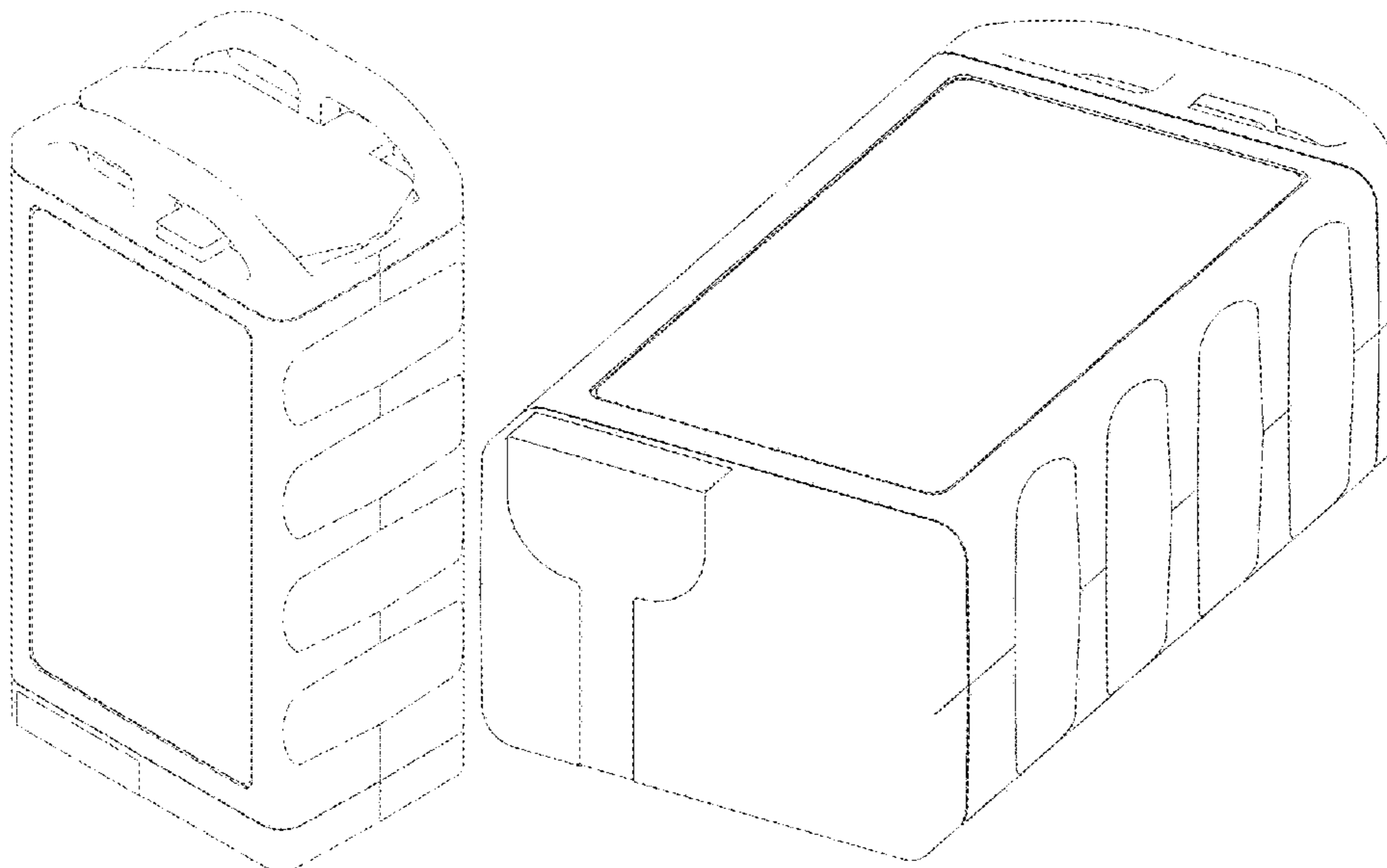
FIG. 4 is a bottom plan view thereof.

FIG. 5 is a perspective view thereof.

FIG. 6 is a perspective view thereof; and,

FIG. 7 is a back plan view thereof.

**1 Claim, 4 Drawing Sheets**



(56)

**References Cited**

U.S. PATENT DOCUMENTS

2014/0061108 A1\* 3/2014 Rlsheq ..... C02F 1/002  
210/136  
2019/0062190 A1\* 2/2019 Blad ..... C02F 9/005  
2019/0092648 A1\* 3/2019 Stricker ..... C02F 1/002  
2019/0185347 A1\* 6/2019 Murrell ..... B01D 29/216  
2020/0361790 A1\* 11/2020 Bech ..... C02F 1/325

OTHER PUBLICATIONS

Aqua Research H2gO photo, May 5, 2016, Facebook, site visited  
Jul. 16, 2021: <https://www.facebook.com/AquaResearchLLC/photos/a.375735245866744/951681811605415/> (Year: 2016).\*

LIFESAVER Expedition Jerrycan Water Filter, Dec. 16, 2015,  
Amazon, site visited Jul. 12, 2021: <https://www.amazon.com/dp/B019G8U952/>(Year: 2015).\*

Allentian Stainless Steel Water Can, Apr. 22, 2018, Amazon, site  
visited Jul. 12, 2021: <https://www.amazon.com/dp/B07PQGNSLQ/>  
(Year: 2018).\*

Wavian USA 3216 Water Can, May 2, 2016, Amazon, site visited  
Jul. 12, 2021: <https://www.amazon.com/dp/B01F7C0SFC/> (Year:  
2016).\*

\* cited by examiner

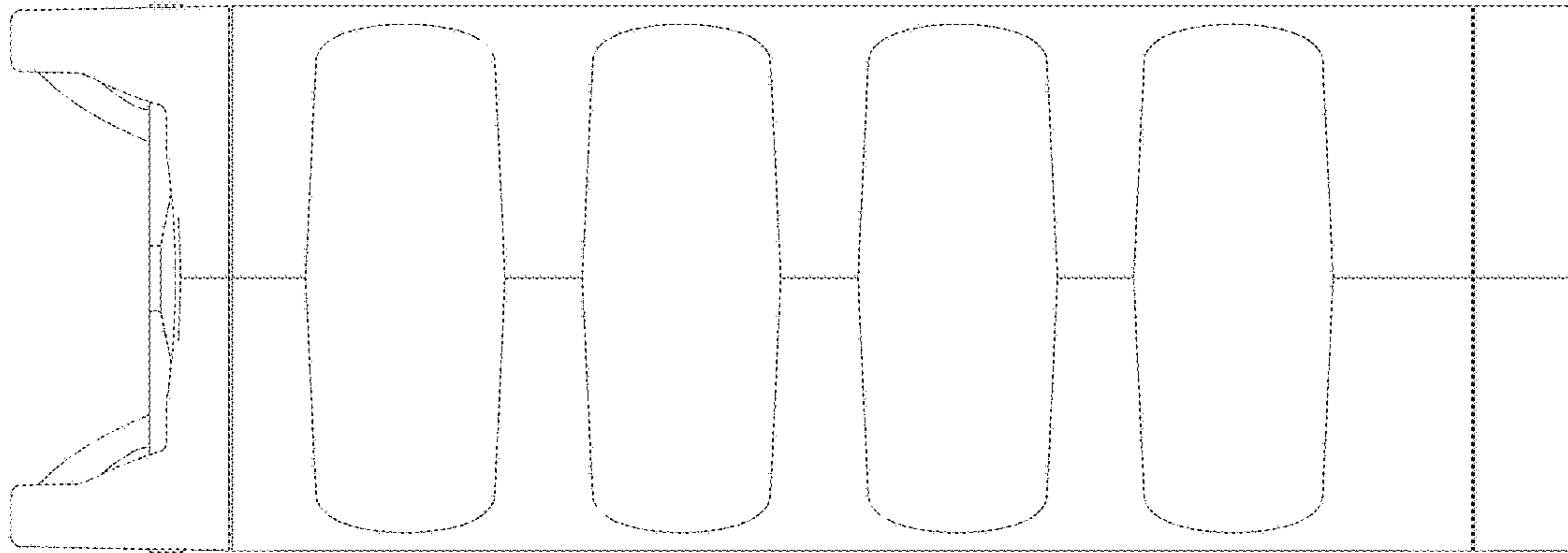


FIG. 2

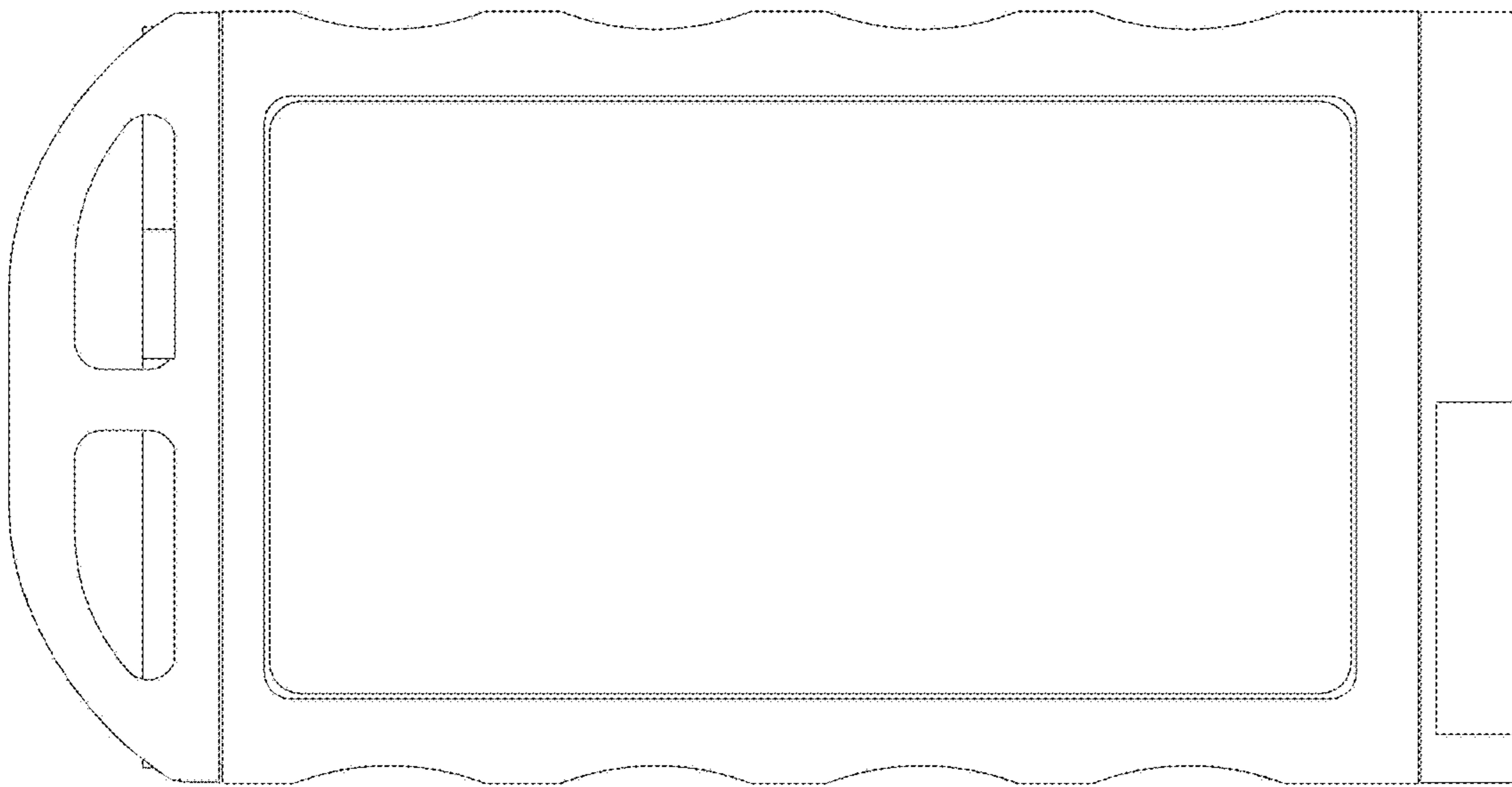


FIG. 1

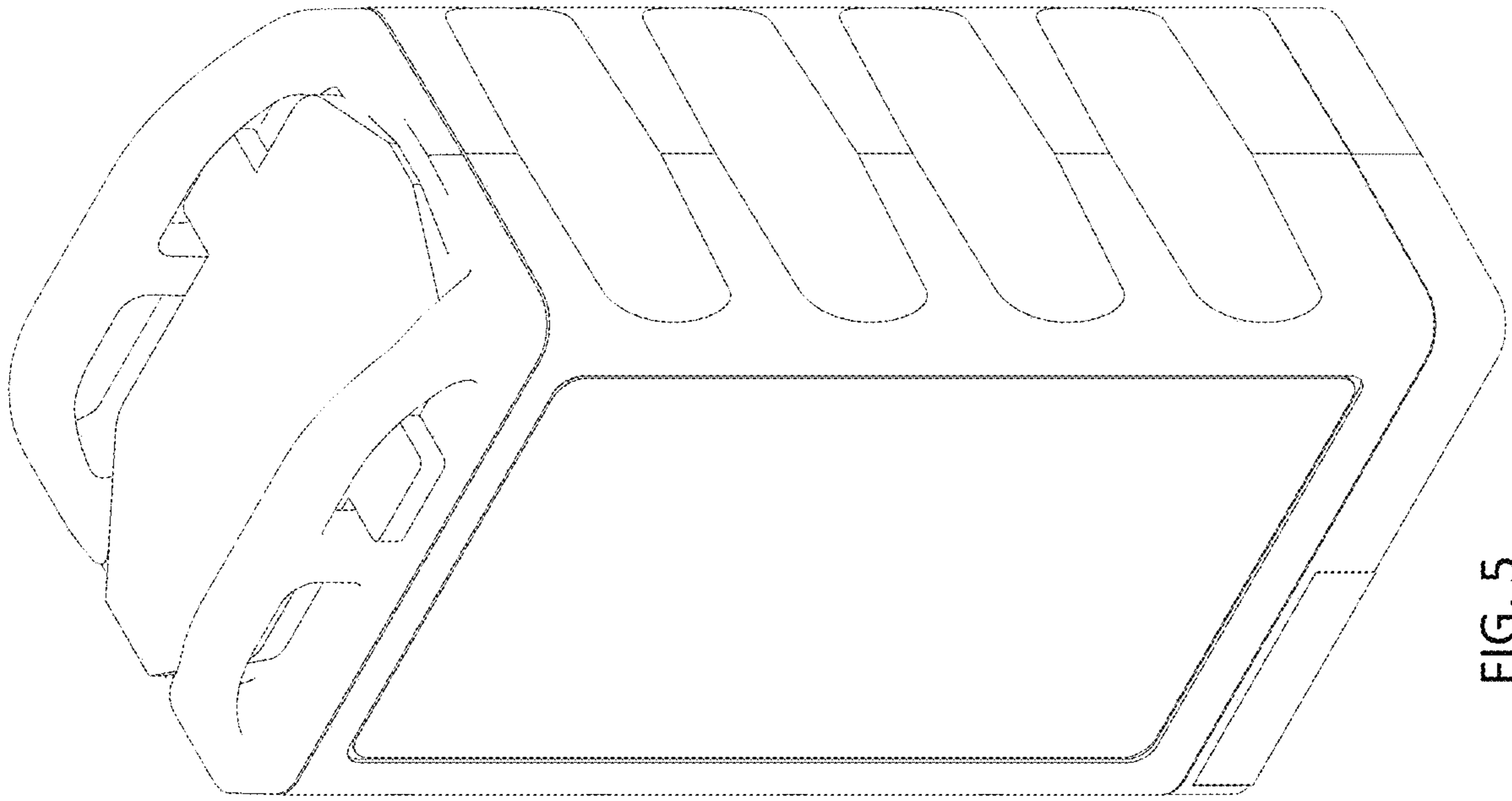


FIG. 5

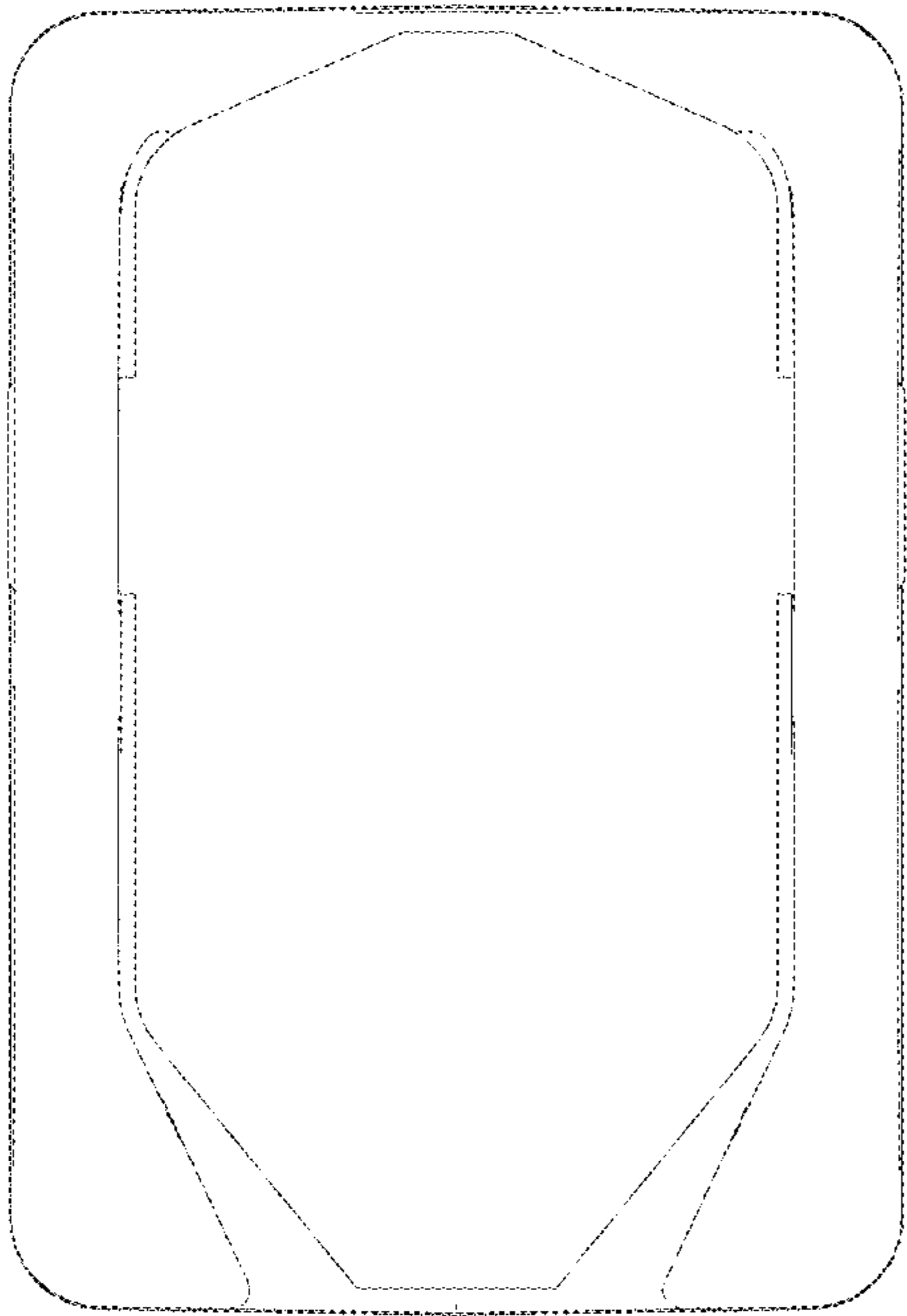


FIG. 3

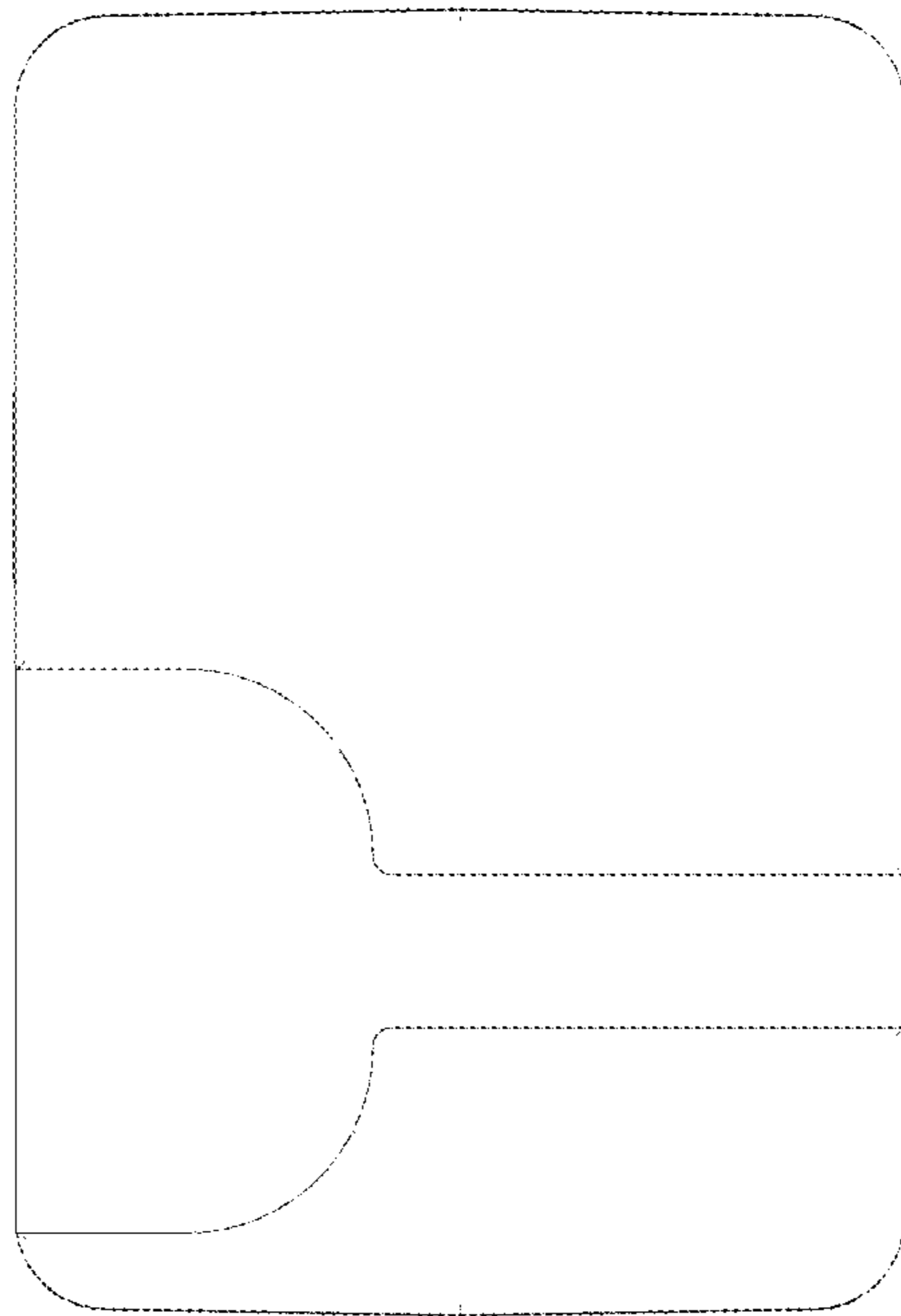


FIG. 4

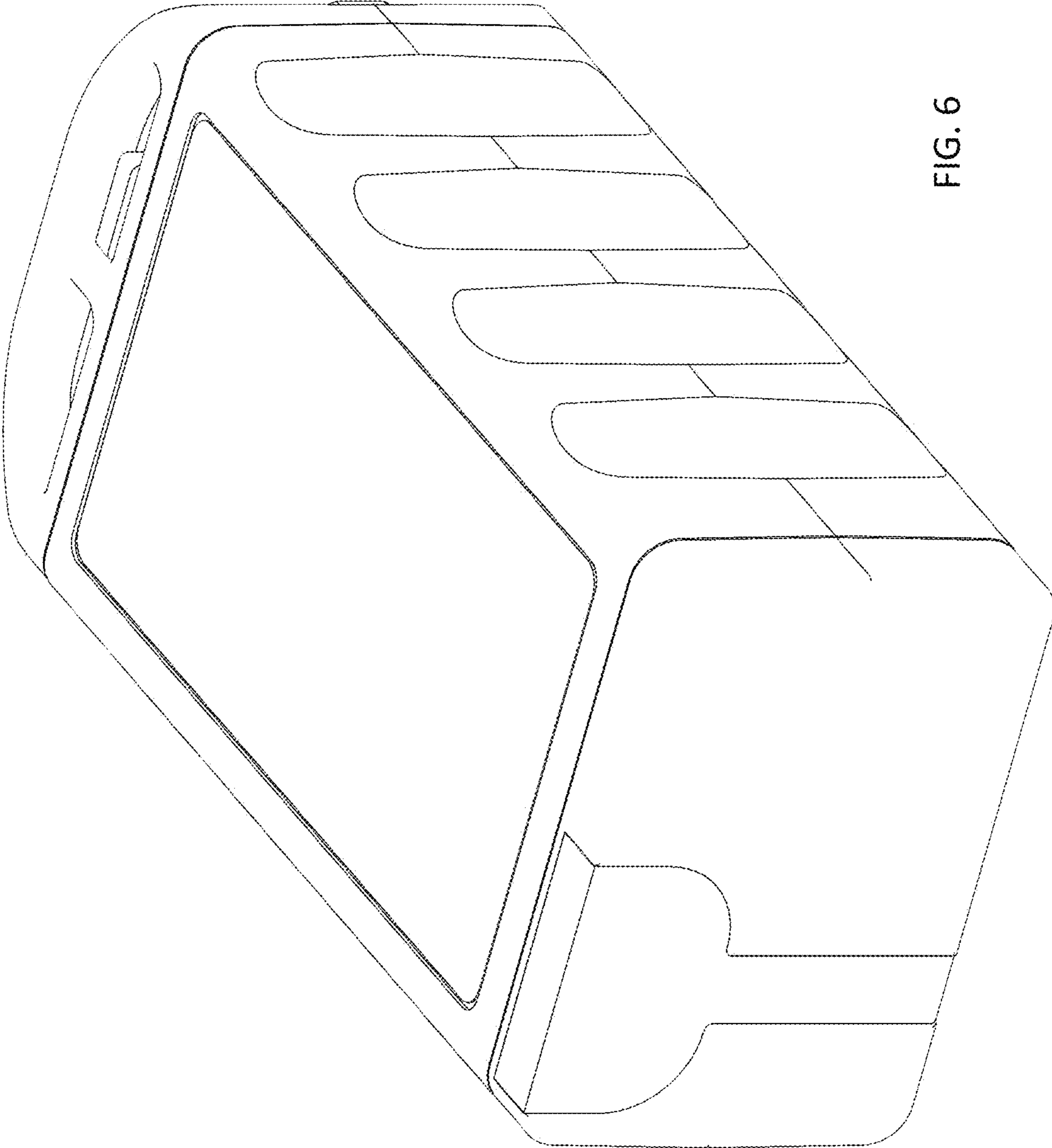


FIG. 6



FIG. 7