



US00D938546S

(12) **United States Design Patent** (10) **Patent No.:** **US D938,546 S**  
**Gallagher** (45) **Date of Patent:** **\*\* Dec. 14, 2021**

(54) **BAIT BAG HOOK**

(71) Applicant: **Michael J. Gallagher**, Plymouth, MA (US)

(72) Inventor: **Michael J. Gallagher**, Plymouth, MA (US)

(\*\*) Term: **15 Years**

(21) Appl. No.: **29/710,434**

(22) Filed: **Oct. 23, 2019**

(51) **LOC (13) Cl.** ..... **22-05**

(52) **U.S. Cl.**  
USPC ..... **D22/136**

(58) **Field of Classification Search**  
USPC ..... D22/136; D32/53-54, 53.1; 220/570,  
220/694-702

CPC .... A46B 17/02; A46B 2200/202; B44D 3/12;  
B44D 3/123; B44D 3/125

See application file for complete search history.

(56) **References Cited**

**U.S. PATENT DOCUMENTS**

D615,264 S *	5/2010	Yon	.....	D32/54
D642,349 S *	7/2011	Palmer	.....	D32/54
D820,380 S *	6/2018	Humphreys, Jr.	.....	D22/136
D848,103 S *	5/2019	Werdowatz	.....	D32/54
2009/0256033 A1 *	10/2009	Marino	.....	B44D 3/123 248/113

**OTHER PUBLICATIONS**

My Bucket Ring Tool Holder Organizer . . . [https://www.cabelas.com/shop/en/my-bucket-ring-tool-organizer?ds\\_e=GOOGLE&ds\\_](https://www.cabelas.com/shop/en/my-bucket-ring-tool-organizer?ds_e=GOOGLE&ds_)

c=Shop%7CGeneric%7CAllProducts%7CHigh%7CSSCCatchAll  
&gclid=EAlalQobChMltuSY98Xj8QIVCEqGCh0WTQ9MEAQ  
YGCABEGkyWfD\_BwE&gclsrc=aw.ds (Year: 2020).  
DU-BRO Bucket Lure Holders . . . [https://www.westmarine.com/buy/du-bro--bucket-lure-holders-3-pack--19827732?cm\\_mmc=PS--Google--GSC%3EBrand%2520\(LIA\)-\\_-19827732&product\\_id=19827732&creative=504872101176&device=c&matchtype=&network=g&gclid=EAlalQobChMI9JjW4cbj8QIViYCGCh1HKgclEAQYGiABEGK92fd\\_BwE](https://www.westmarine.com/buy/du-bro--bucket-lure-holders-3-pack--19827732?cm_mmc=PS--Google--GSC%3EBrand%2520(LIA)-_-19827732&product_id=19827732&creative=504872101176&device=c&matchtype=&network=g&gclid=EAlalQobChMI9JjW4cbj8QIViYCGCh1HKgclEAQYGiABEGK92fd_BwE) no date.\*

\* cited by examiner

*Primary Examiner* — Catherine R Oliver-Garcia

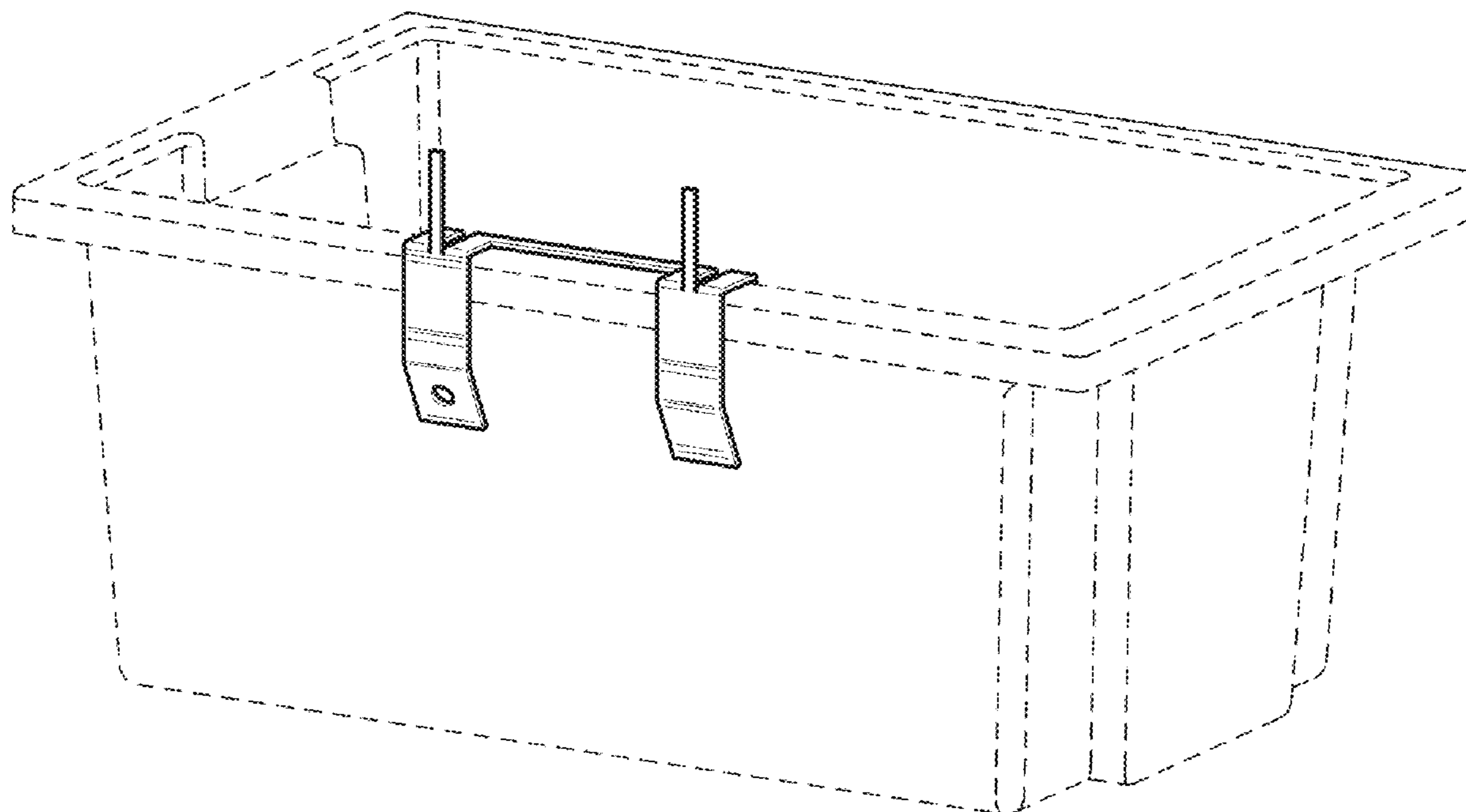
(57) **CLAIM**

The ornamental design for a bait bag hook, as shown and described.

**DESCRIPTION**

FIG. 1 is a front perspective view of the bait bag hook employing my new design;  
FIG. 2 is a rear perspective view thereof;  
FIG. 3 is a rear perspective view thereof;  
FIG. 4 is a front perspective view thereof;  
FIG. 5 is a rear view thereof;  
FIG. 6 is left side view thereof, the right side being a mirror image;  
FIG. 7 is a front view thereof;  
FIG. 8 is a top view thereof; and,  
FIG. 9 is a bottom view thereof.  
In FIGS. 1 and 2 the broken lines are for illustrative purposes only and form no part of the claimed design.

**1 Claim, 9 Drawing Sheets**



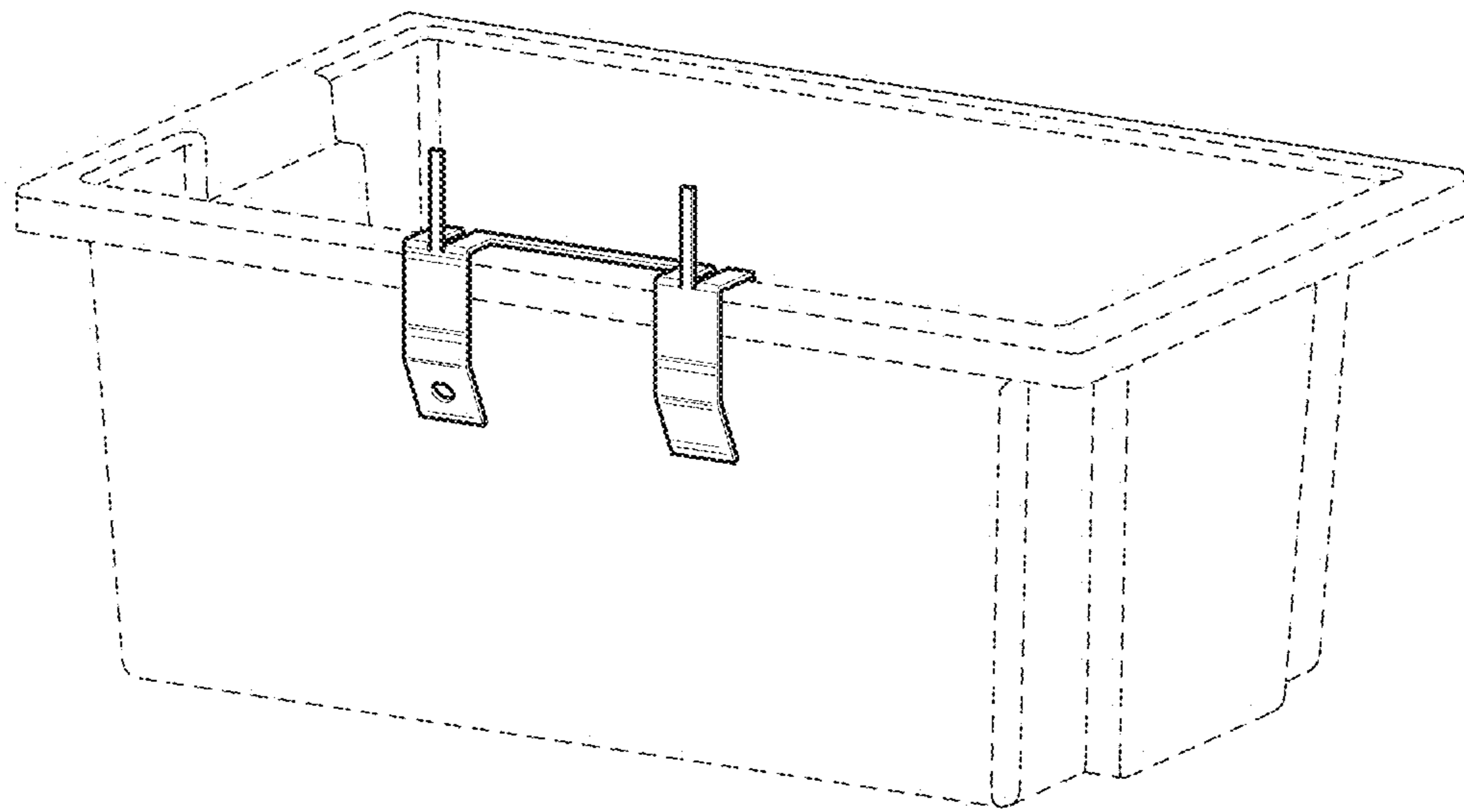


Figure 1

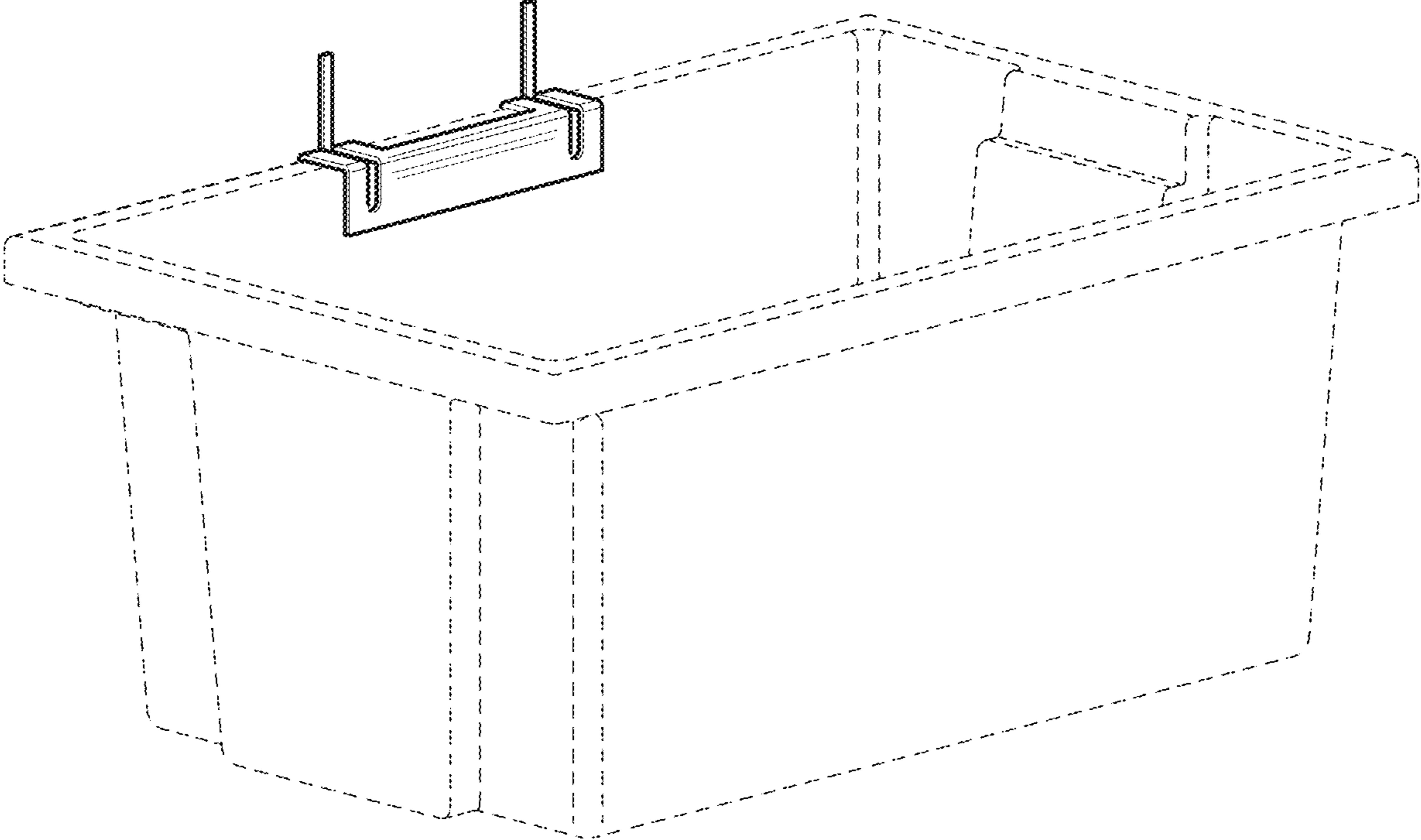


Figure 2

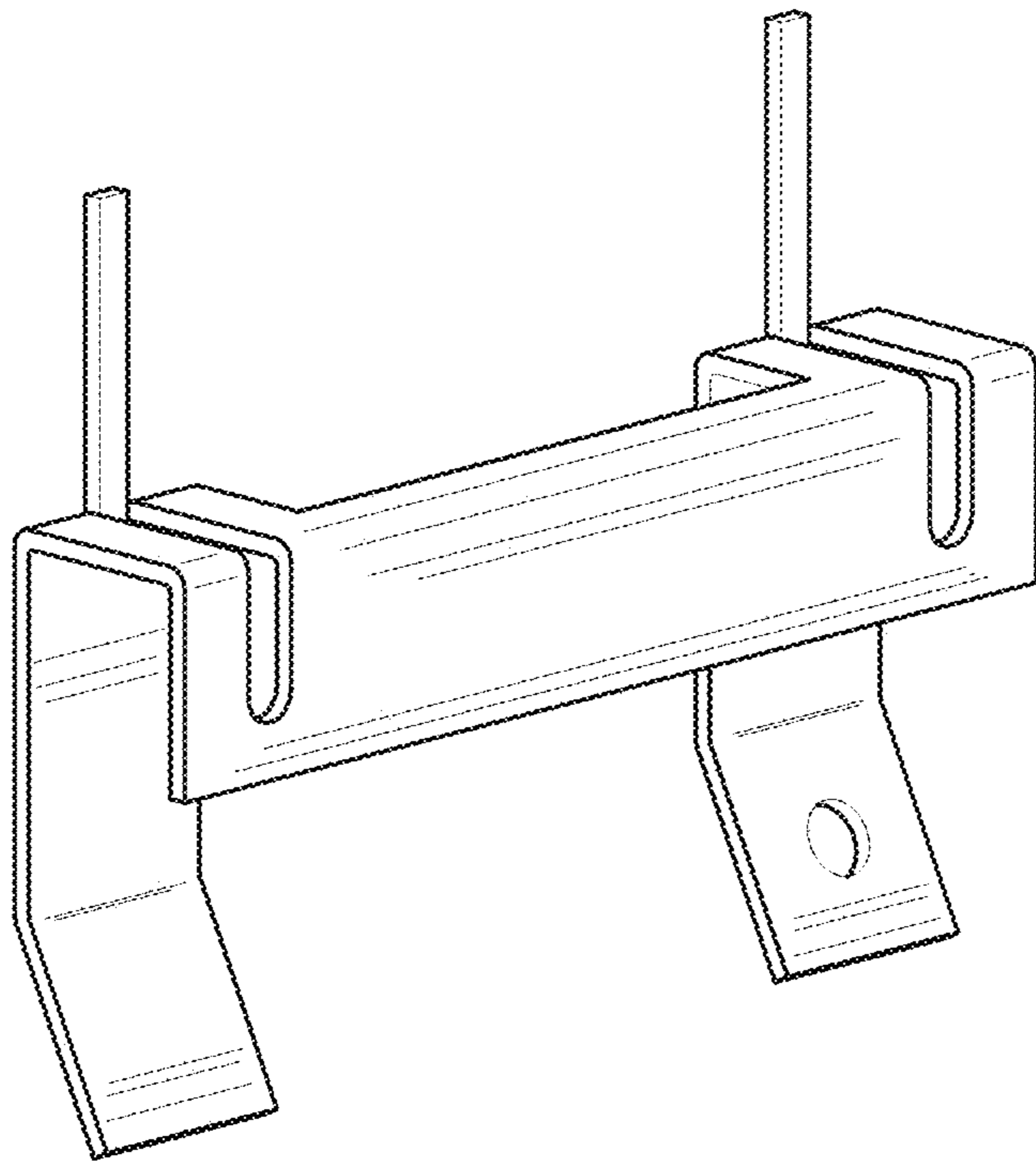


Figure 3

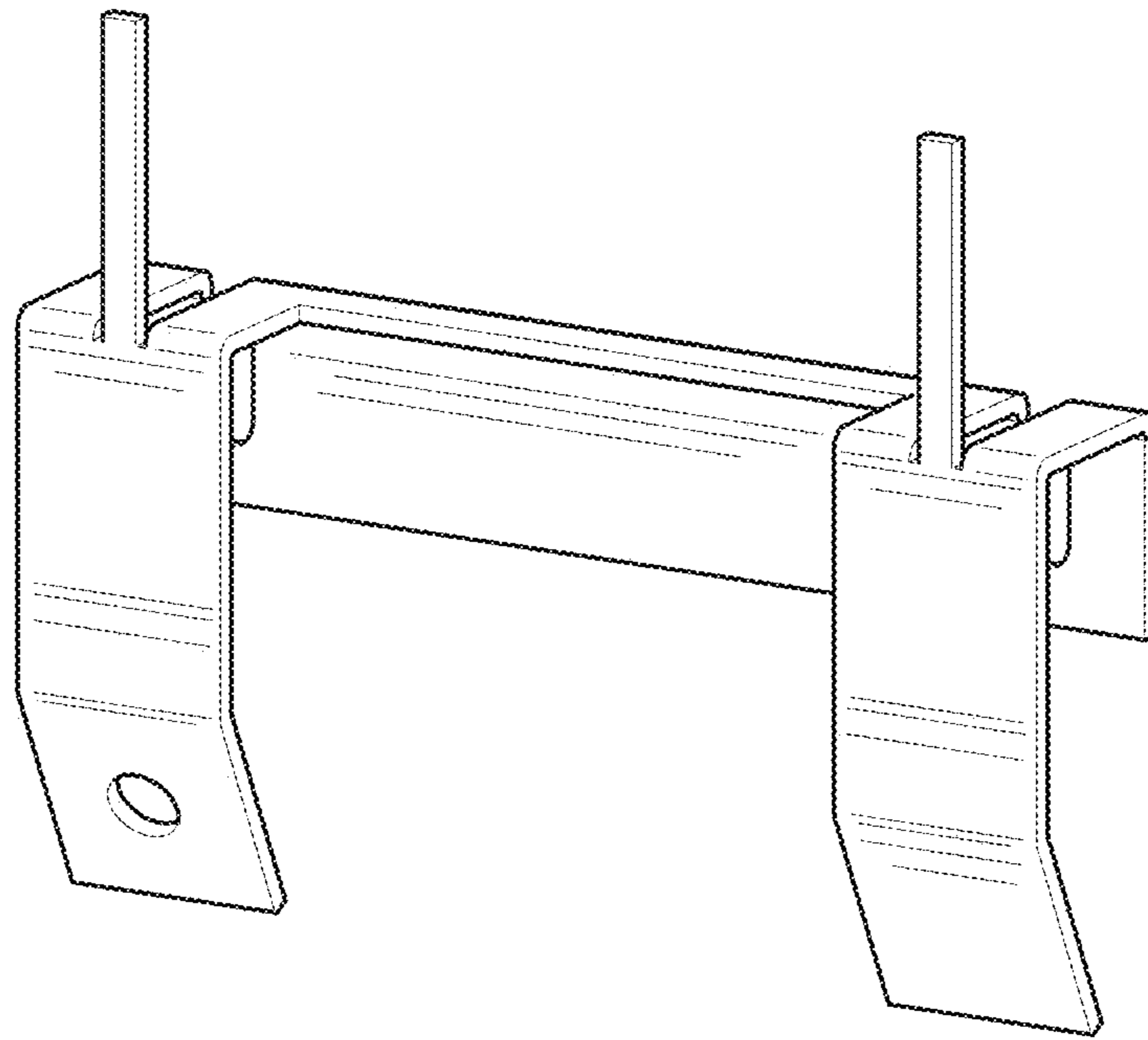


Figure 4

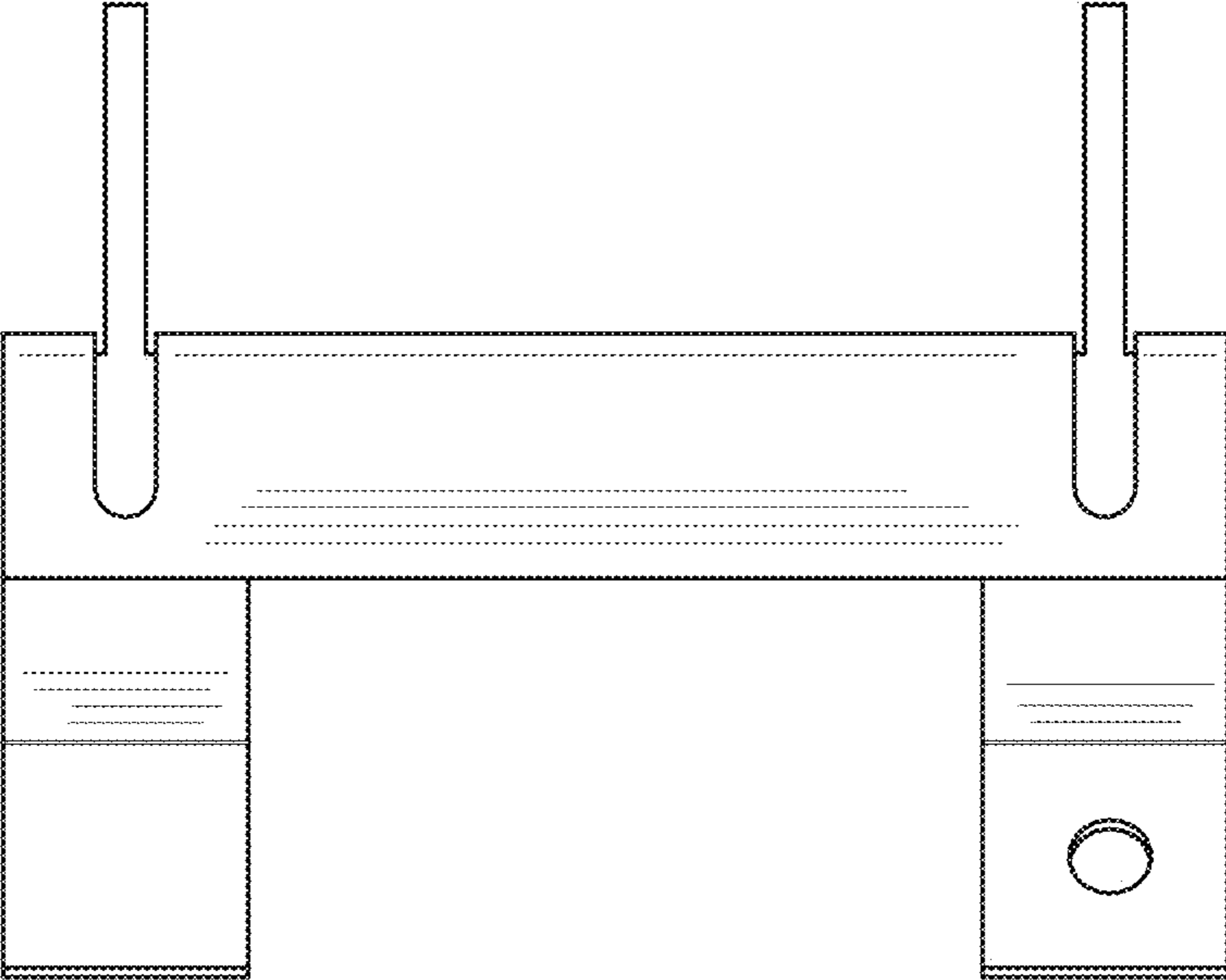


Figure 5

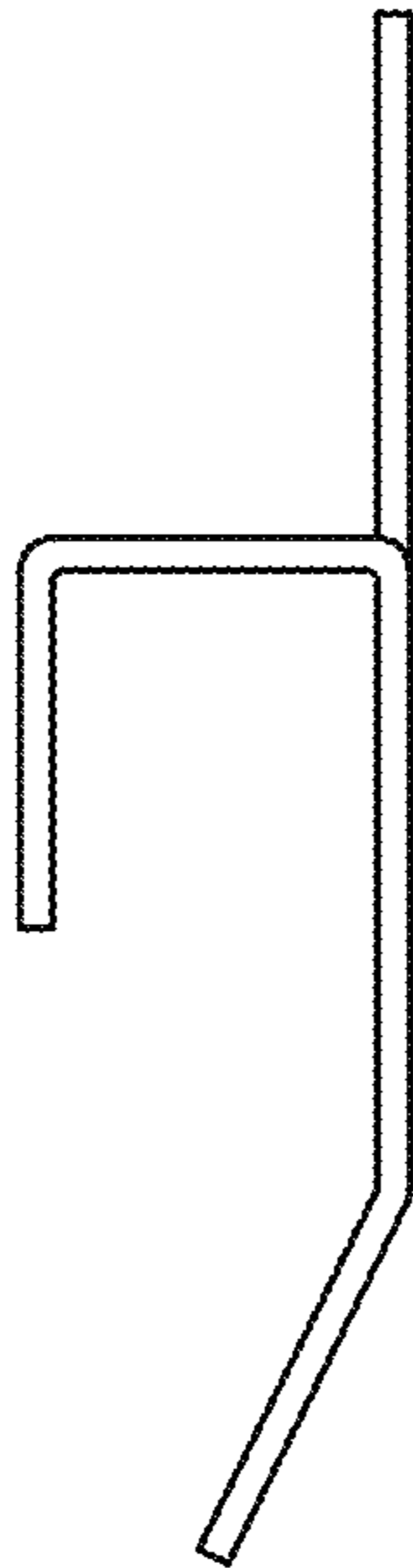


Figure 6

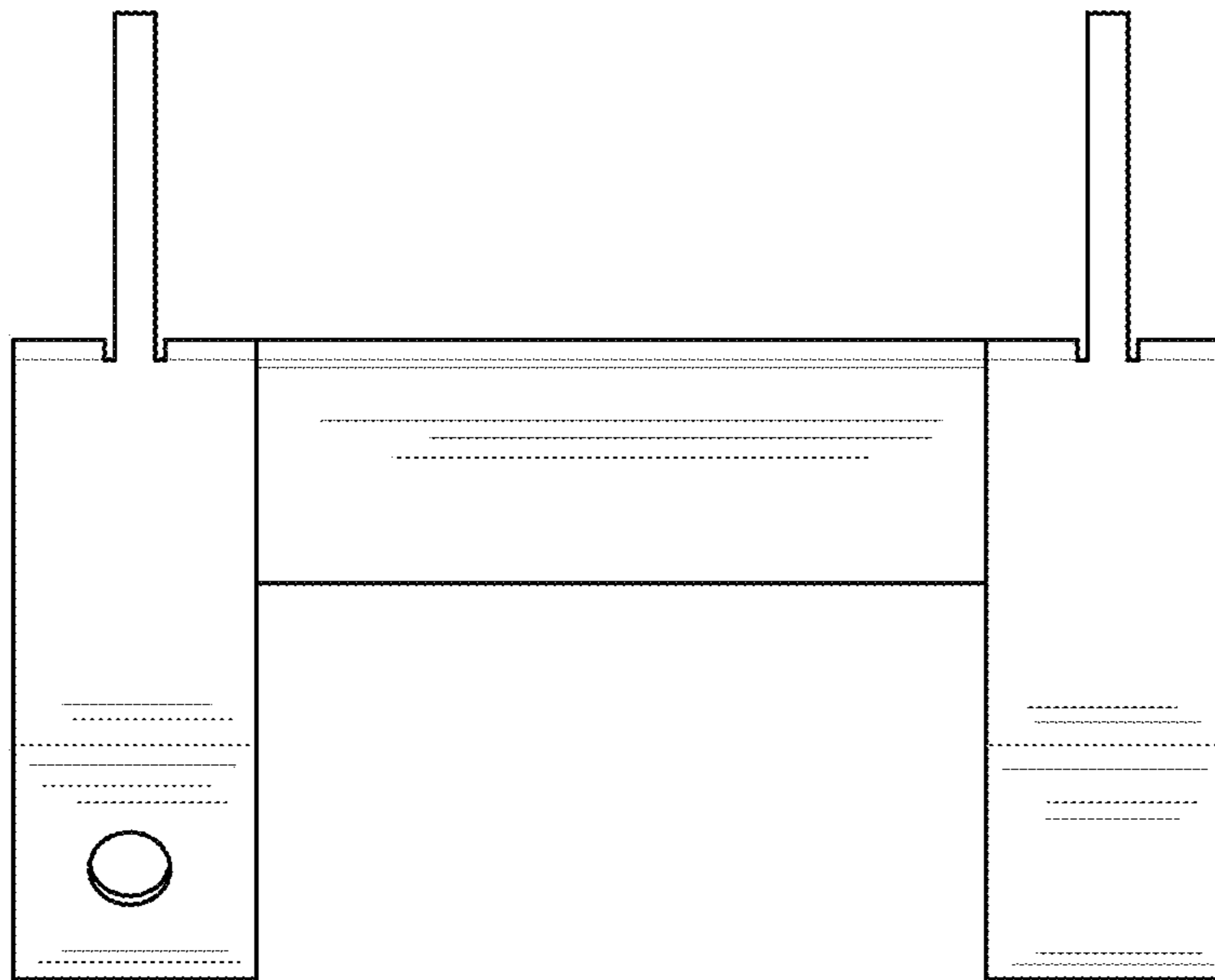


Figure 7



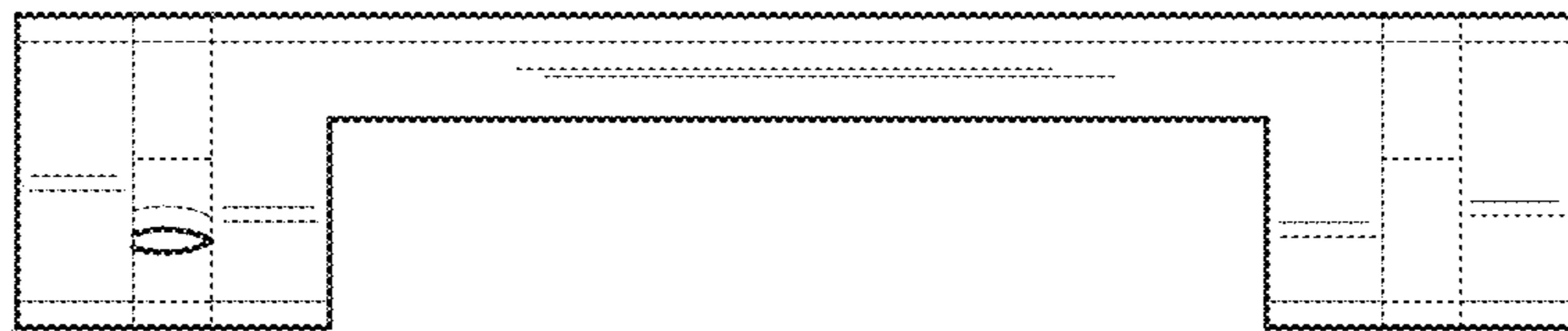


Figure 8

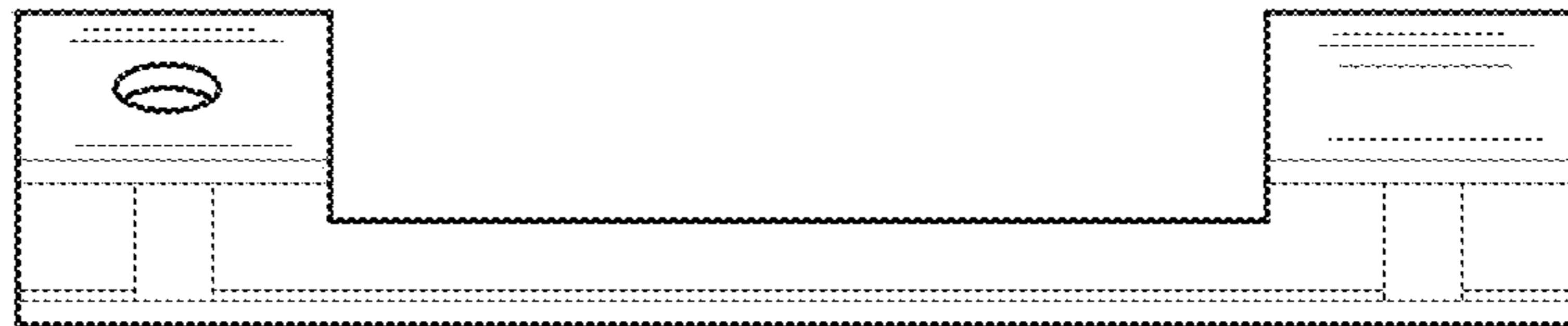


Figure 9