



US00D938542S

(12) **United States Design Patent**
Strandén et al.

(10) **Patent No.:** **US D938,542 S**

(45) **Date of Patent:** **** Dec. 14, 2021**

- (54) **ACCESSORY FOR A RIFLE**
- (71) Applicant: **BEARPROOF AB**, Hammaro (SE)
- (72) Inventors: **Henrik Strandén**, Hammaro (SE);
Jonas Lännbjer, Hammaro (SE)
- (**) Term: **15 Years**
- (21) Appl. No.: **35/510,542**
- (22) Filed: **Jun. 17, 2020**
- (80) **Hague Agreement Data**
Int. Filing Date: **Jun. 17, 2020**
Int. Reg. No.: **DM/210590**
Int. Reg. Date: **Jun. 17, 2020**
Int. Reg. Pub. Date: **Oct. 16, 2020**
- (51) **LOC (13) Cl.** **22-01**
- (52) **U.S. Cl.**
USPC **D22/108**
- (58) **Field of Classification Search**
USPC D22/100, 101, 107, 108, 109, 110, 111
CPC F41C 23/00
See application file for complete search history.

- (56) **References Cited**
U.S. PATENT DOCUMENTS
616,424 A * 12/1898 Rowley F41C 23/16
42/71.01
1,489,139 A * 4/1924 Mike F21S 41/43
362/359
2,100,514 A * 11/1937 Miller F41C 23/06
42/71.01
4,120,108 A * 10/1978 Vickers F41C 23/08
42/74

- D309,002 S * 7/1990 Southard D22/108
- 7,124,529 B1 * 10/2006 Havelka, Jr. F41C 23/08
42/74
- D707,323 S * 6/2014 Claeys D22/108
- D742,470 S * 11/2015 Battaglia D22/108
- D753,782 S * 4/2016 Vazquez D22/108
- D819,769 S * 6/2018 Stevens D22/108
- D823,980 S * 7/2018 Stevens D22/108
- D836,746 S * 12/2018 Tyrone D22/108
- D844,736 S * 4/2019 Tipton D22/108
- D874,603 S * 2/2020 Tipton D22/108
- D883,415 S * 5/2020 Noonan D22/108
- D905,191 S * 12/2020 Kronengold D22/108
- 2008/0236016 A1 * 10/2008 Fitzpatrick F41C 23/14
42/71.01
- 2012/0110884 A1 * 5/2012 Criswell F41C 23/14
42/73
- 2014/0283428 A1 * 9/2014 Slater F41C 23/14
42/71.01

* cited by examiner

Primary Examiner — Mojtaba Tehrani

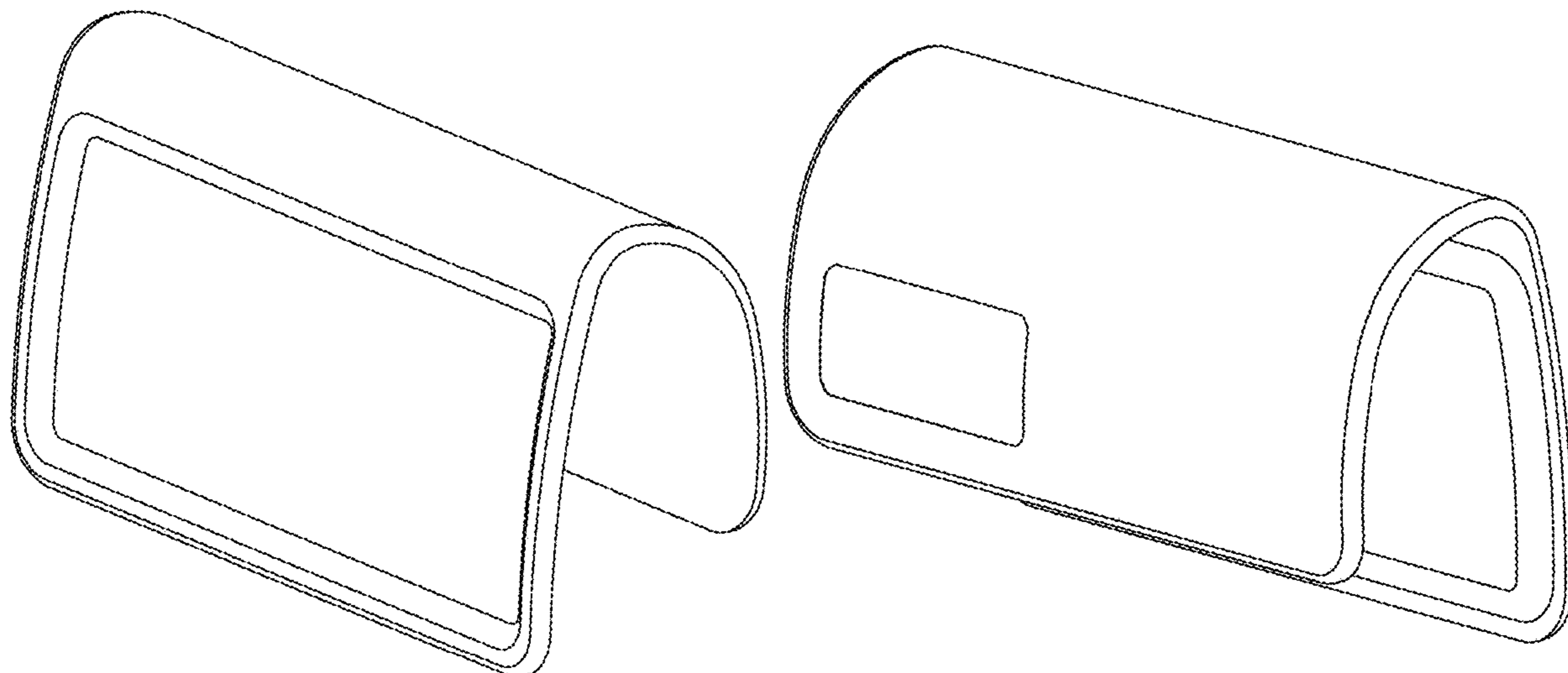
(57) **CLAIM**

The ornamental design for an accessory for a rifle, as shown and described.

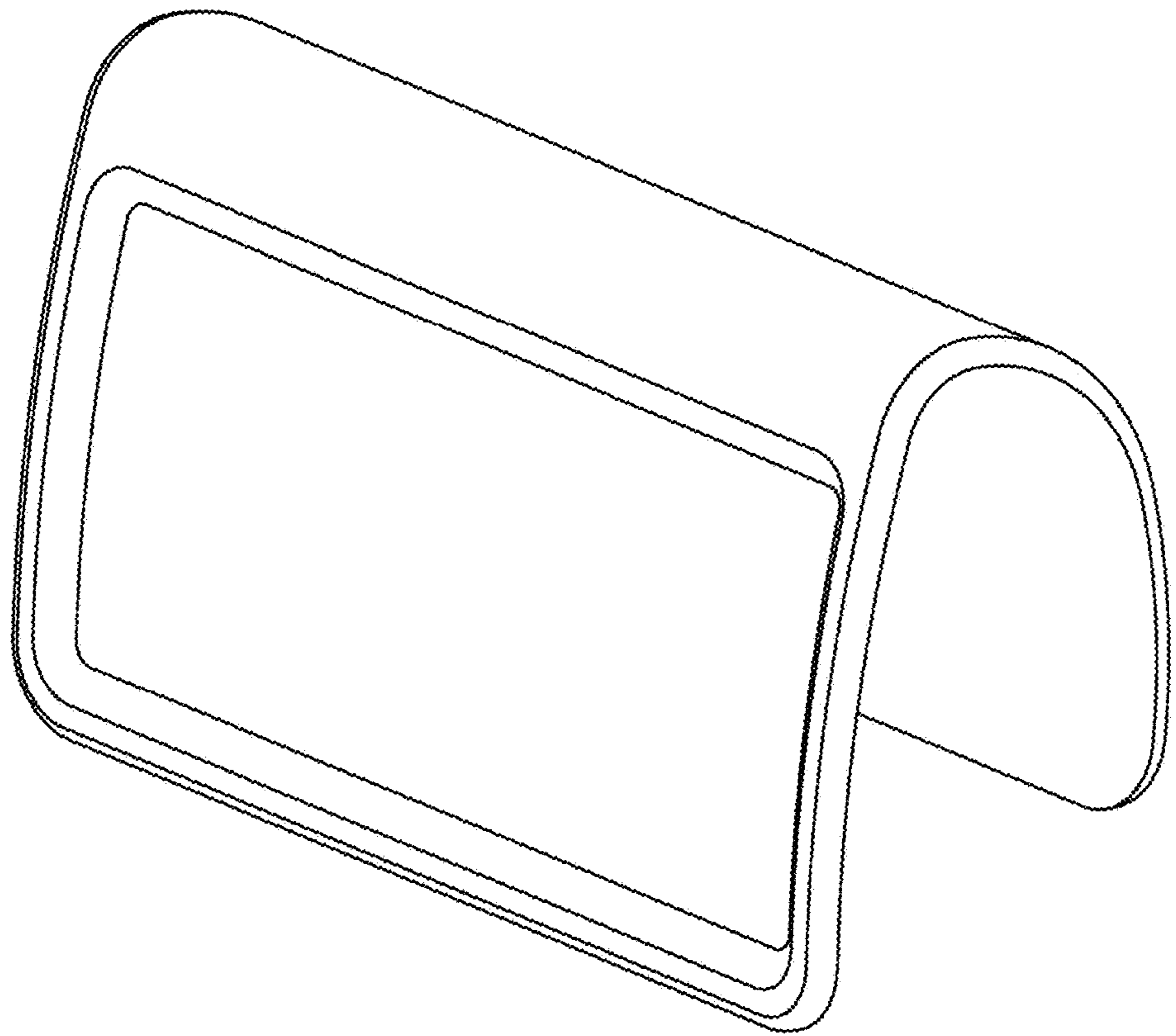
DESCRIPTION

- 1. Accessory for a rifle
- 1.1 : Perspective
- 1.2 : Perspective
- 1.3 : Front
- 1.4 : Back
- 1.5 : Left
- 1.6 : Right
- 1.7 : Top
- 1.8 : Bottom

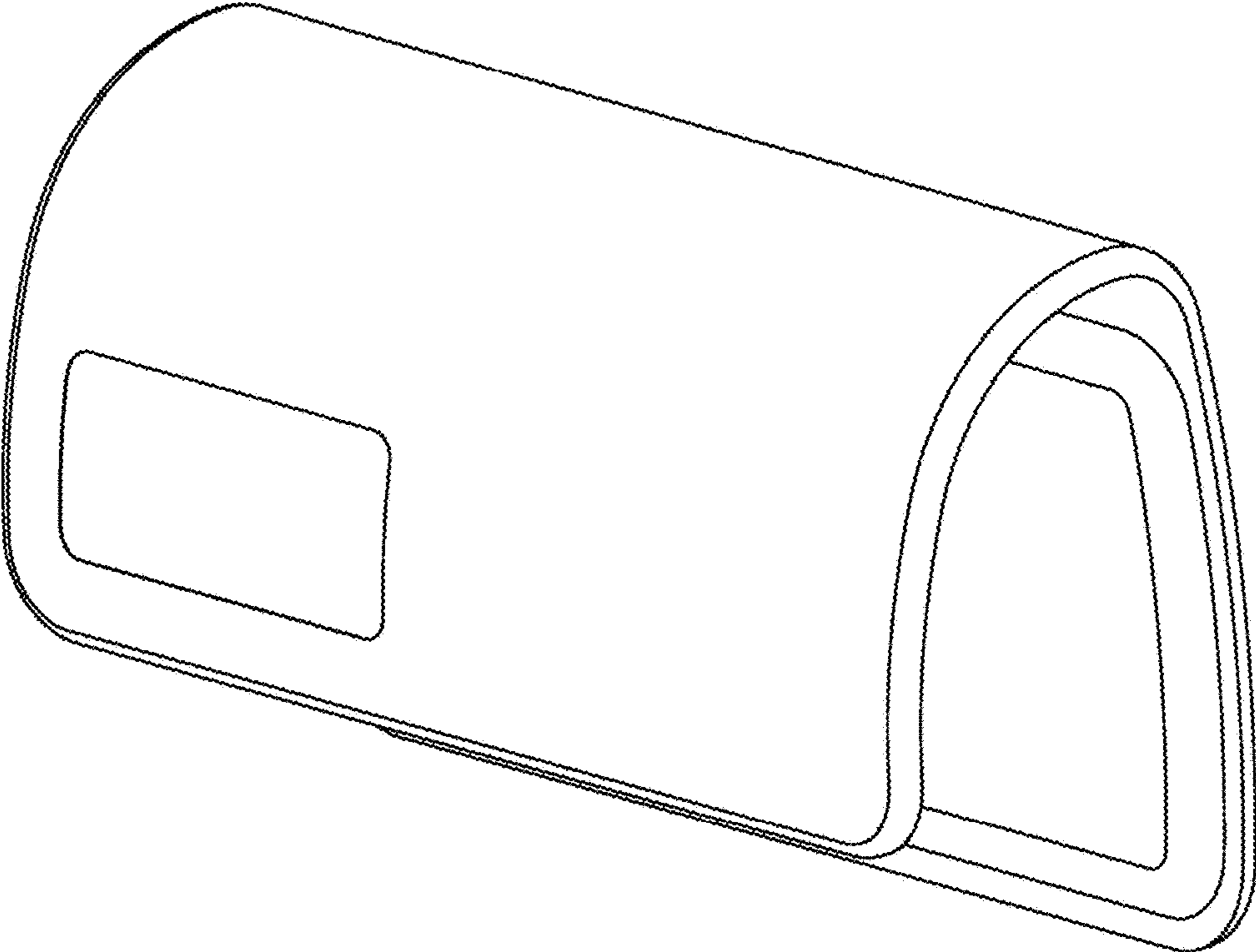
1 Claim, 8 Drawing Sheets



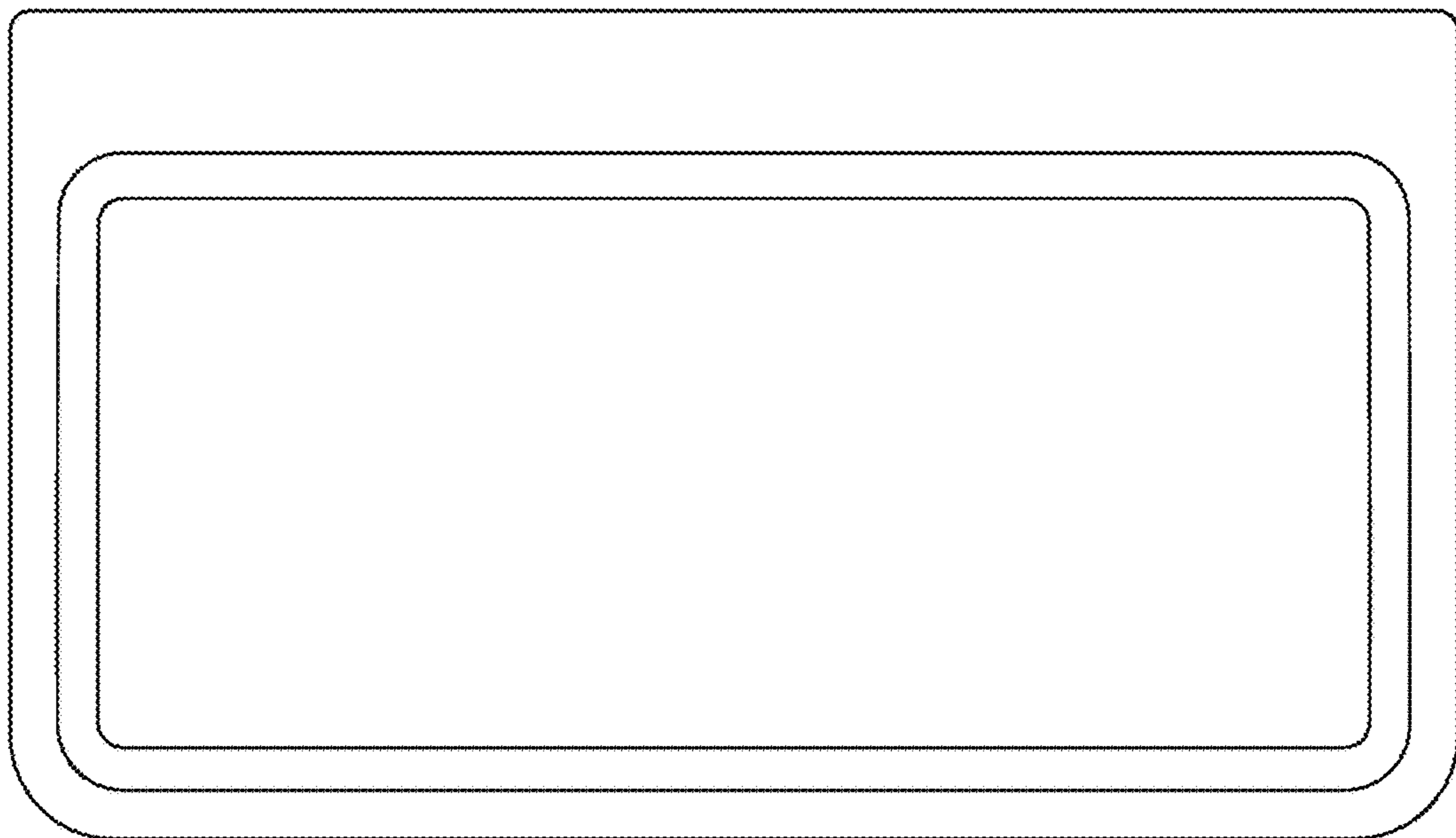
1.1



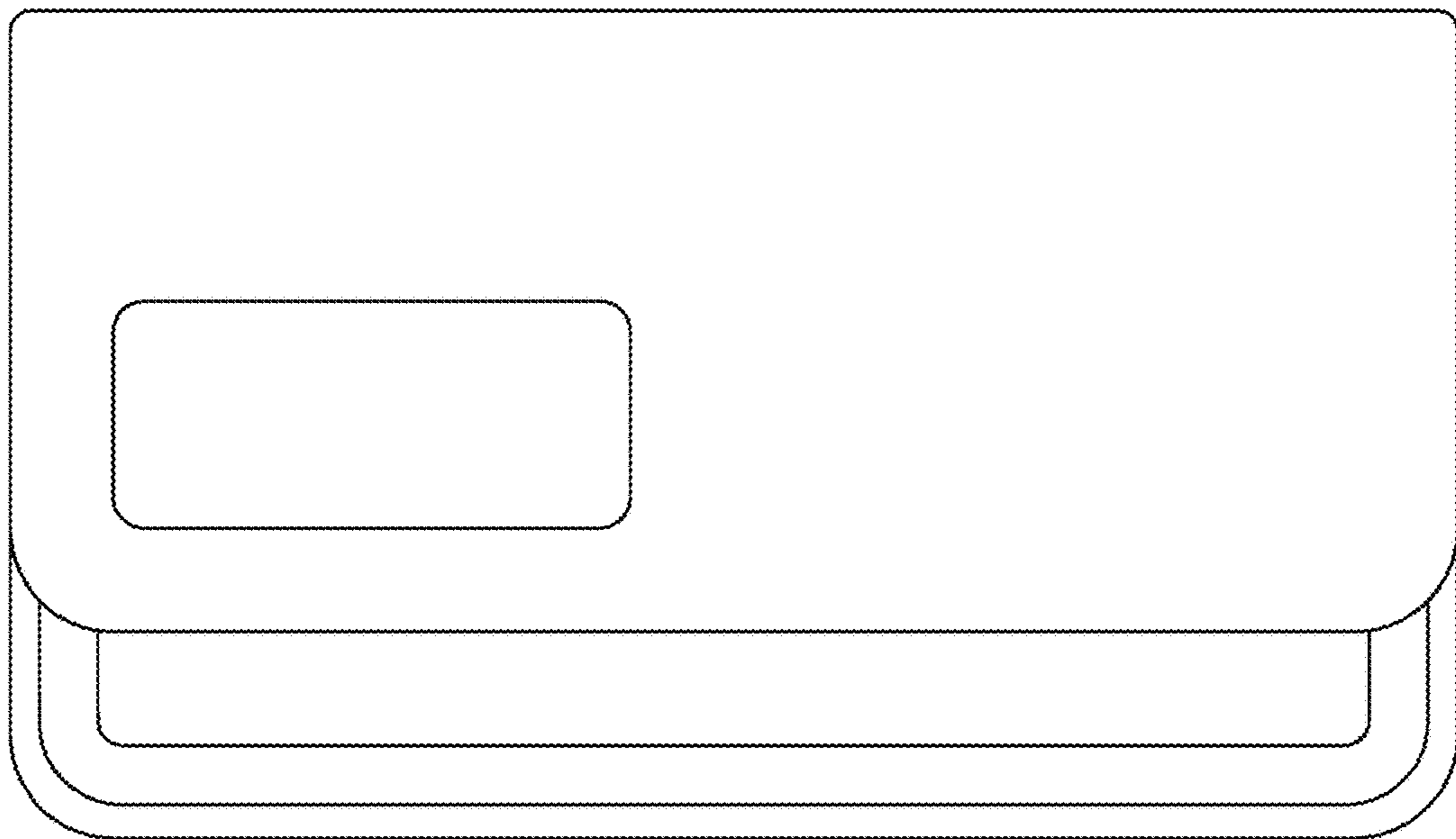
1.2



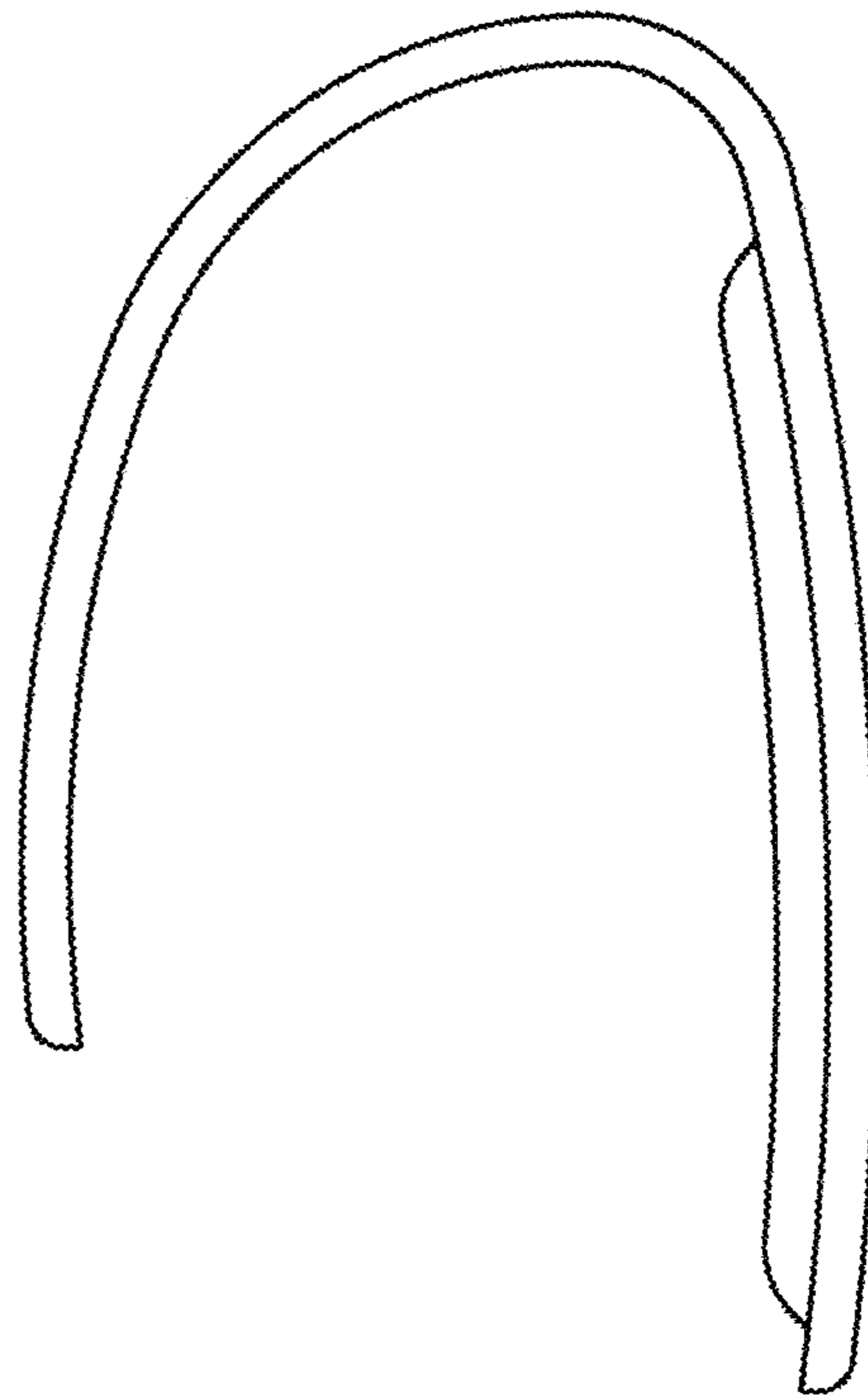
1.3



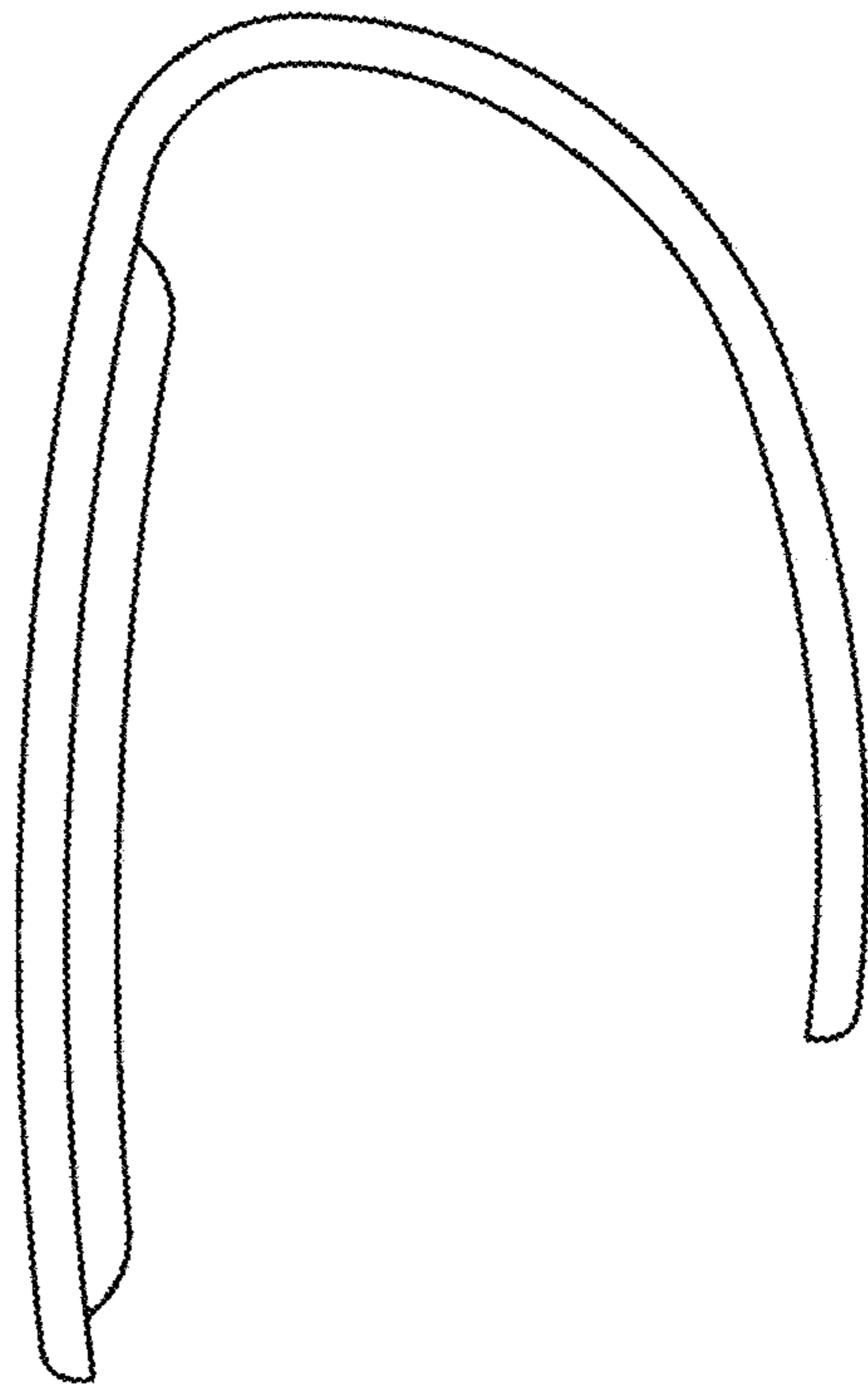
1.4



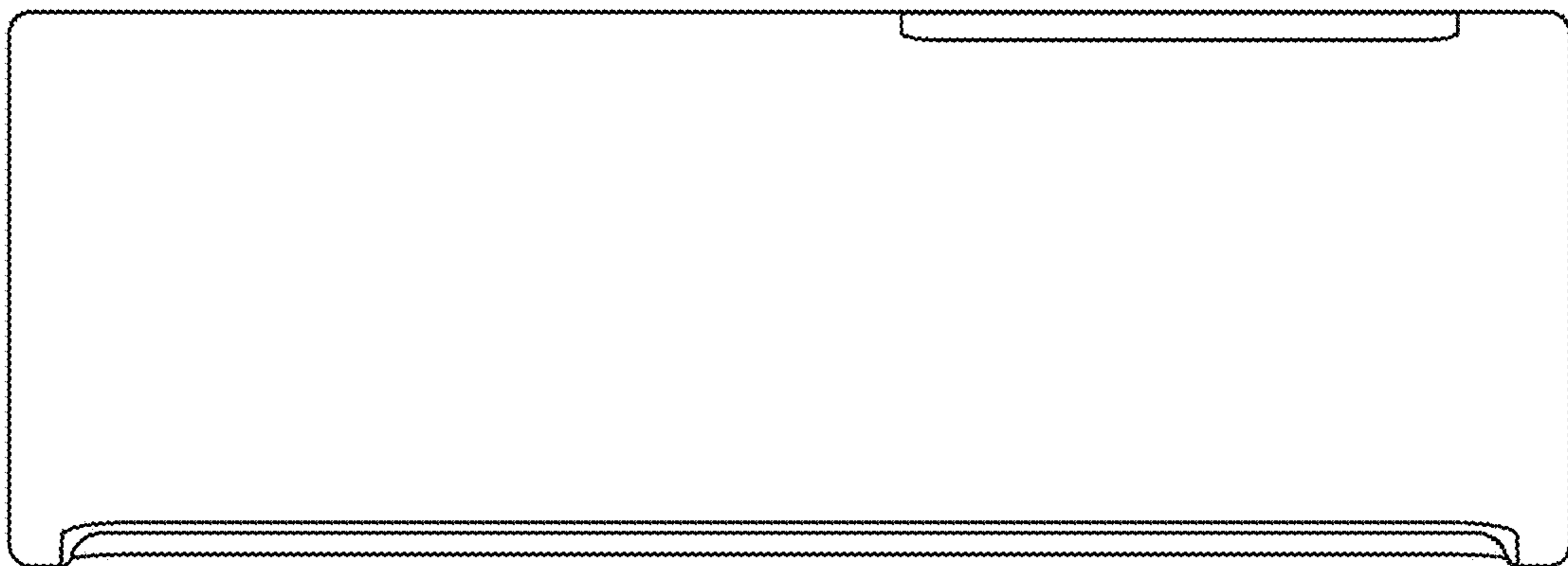
1.5



1.6



1.7



1.8

