



US00D938541S

(12) **United States Design Patent**
Xia

(10) **Patent No.:** **US D938,541 S**

(45) **Date of Patent:** **** Dec. 14, 2021**

(54) **MAGAZINE SPEED LOADER**

(71) Applicant: **Guiqing Xia**, Nanyang (CN)

(72) Inventor: **Guiqing Xia**, Nanyang (CN)

(**) Term: **15 Years**

(21) Appl. No.: **29/761,771**

(22) Filed: **Dec. 11, 2020**

(51) **LOC (13) Cl.** **22-01**

(52) **U.S. Cl.**
USPC **D22/108**

(58) **Field of Classification Search**
USPC D22/108
CPC F41A 9/83; F41A 9/82
See application file for complete search history.

(56) **References Cited**

U.S. PATENT DOCUMENTS

D728,066 S * 4/2015 Tai D22/199
D818,554 S 5/2018 Hefer et al.
D846,056 S 4/2019 Hefer et al.
D872,217 S * 1/2020 Tai D22/108

D917,000 S * 4/2021 Huang D22/108
D921,150 S * 6/2021 Chen D22/108
D931,403 S * 9/2021 Deng D22/108

* cited by examiner

Primary Examiner — Michael A. Pratt

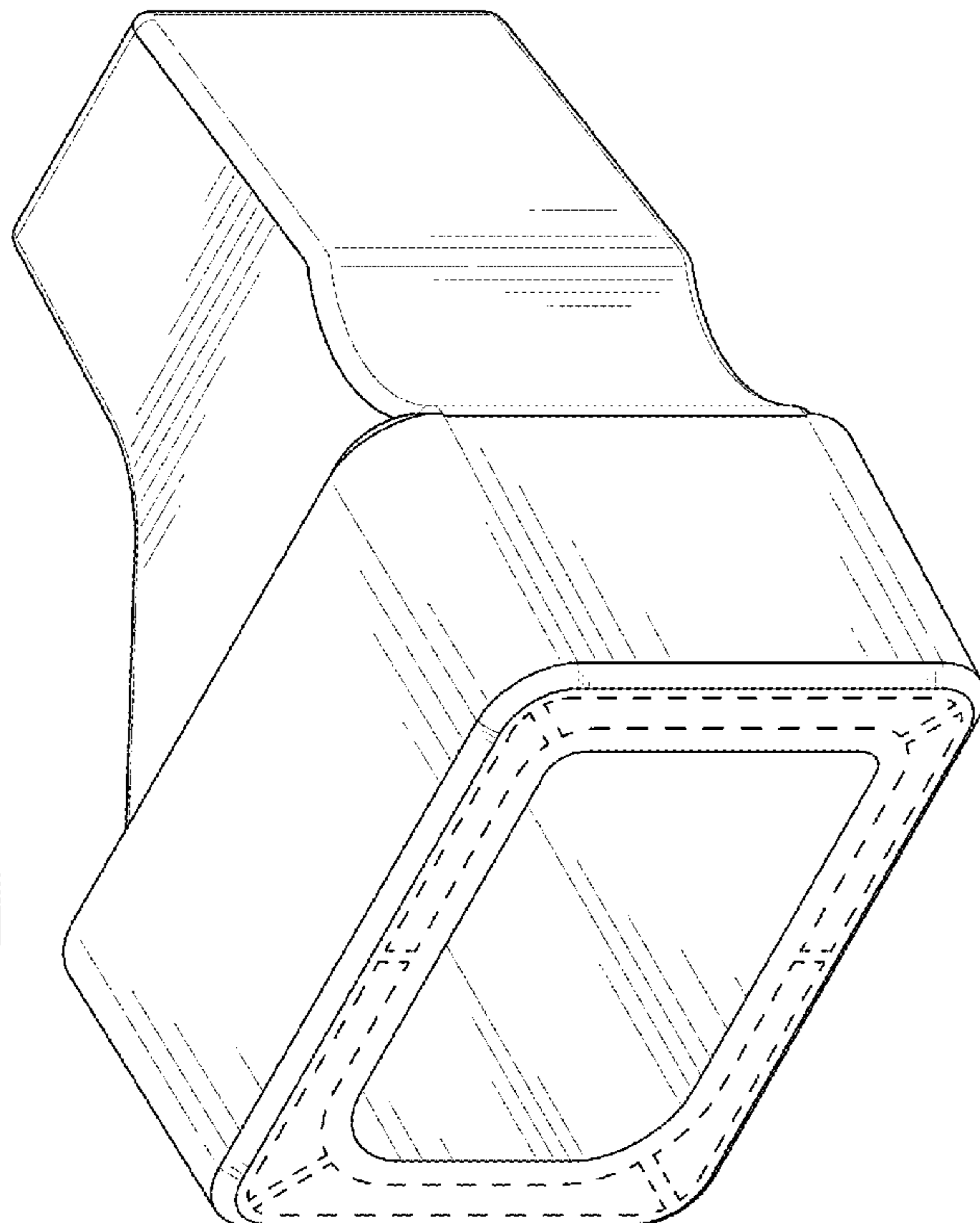
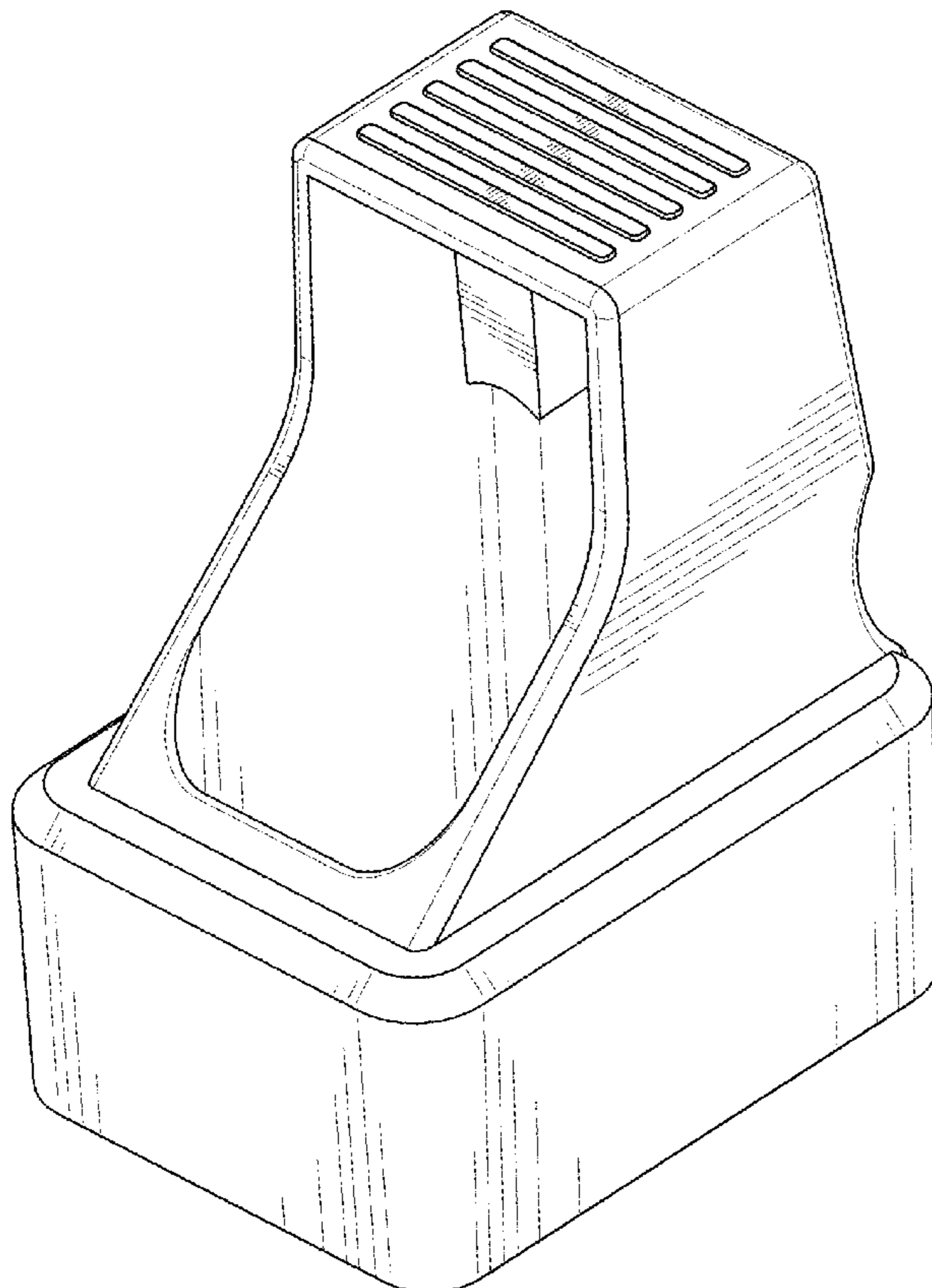
(57) **CLAIM**

The ornamental design for a magazine speed loader, as shown and described.

DESCRIPTION

FIG. 1 is a perspective view of a magazine speed loader showing my new design;
FIG. 2 is another perspective view thereof;
FIG. 3 is a front view thereof;
FIG. 4 is a rear view thereof;
FIG. 5 is a left side view thereof;
FIG. 6 is a right side view thereof;
FIG. 7 is a top plan view thereof; and,
FIG. 8 is a bottom plan view thereof.
The broken lines in the figures illustrate portions of the magazine speed loader that form no part of the claimed design.

1 Claim, 8 Drawing Sheets



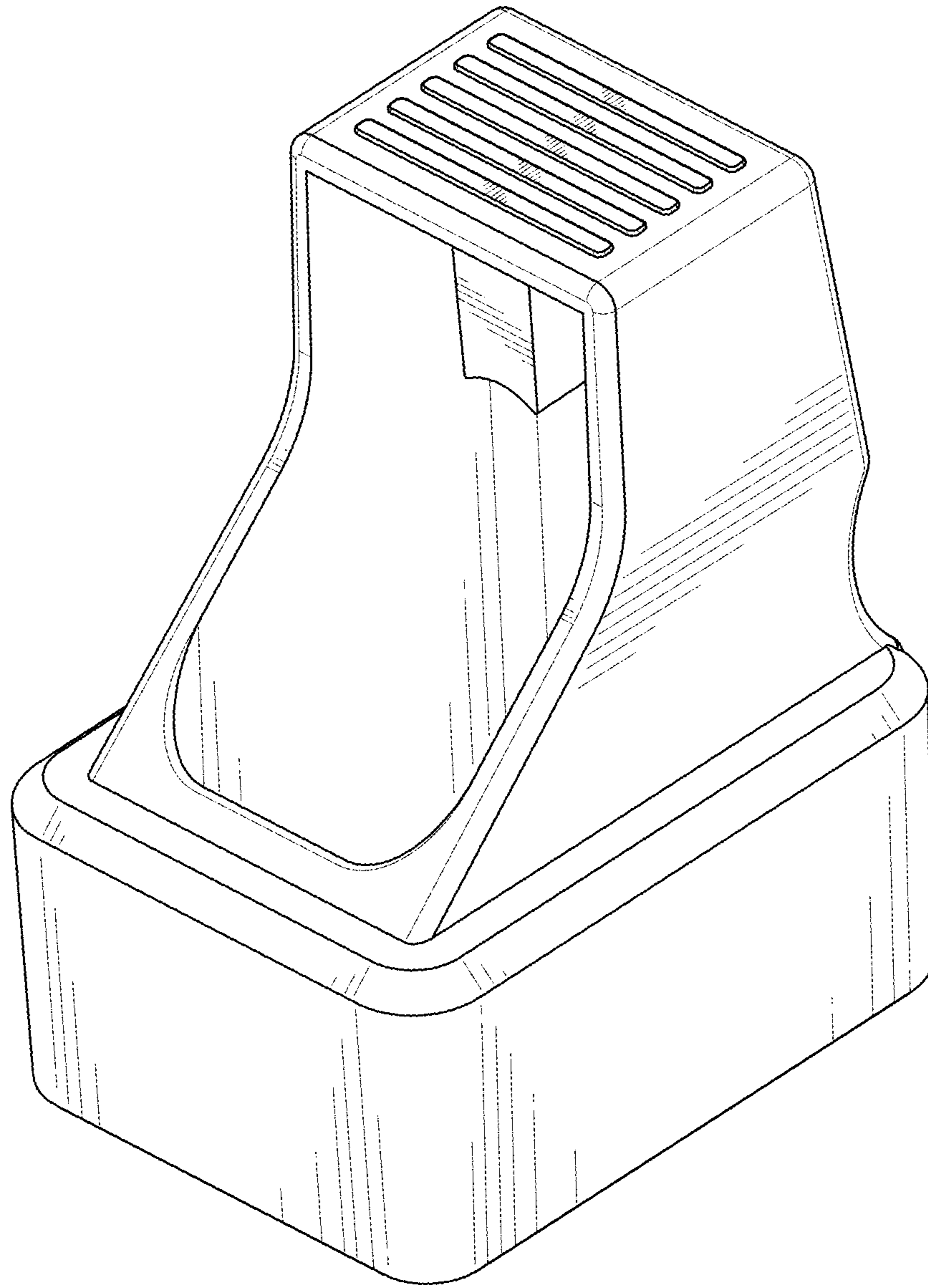


FIG. 1

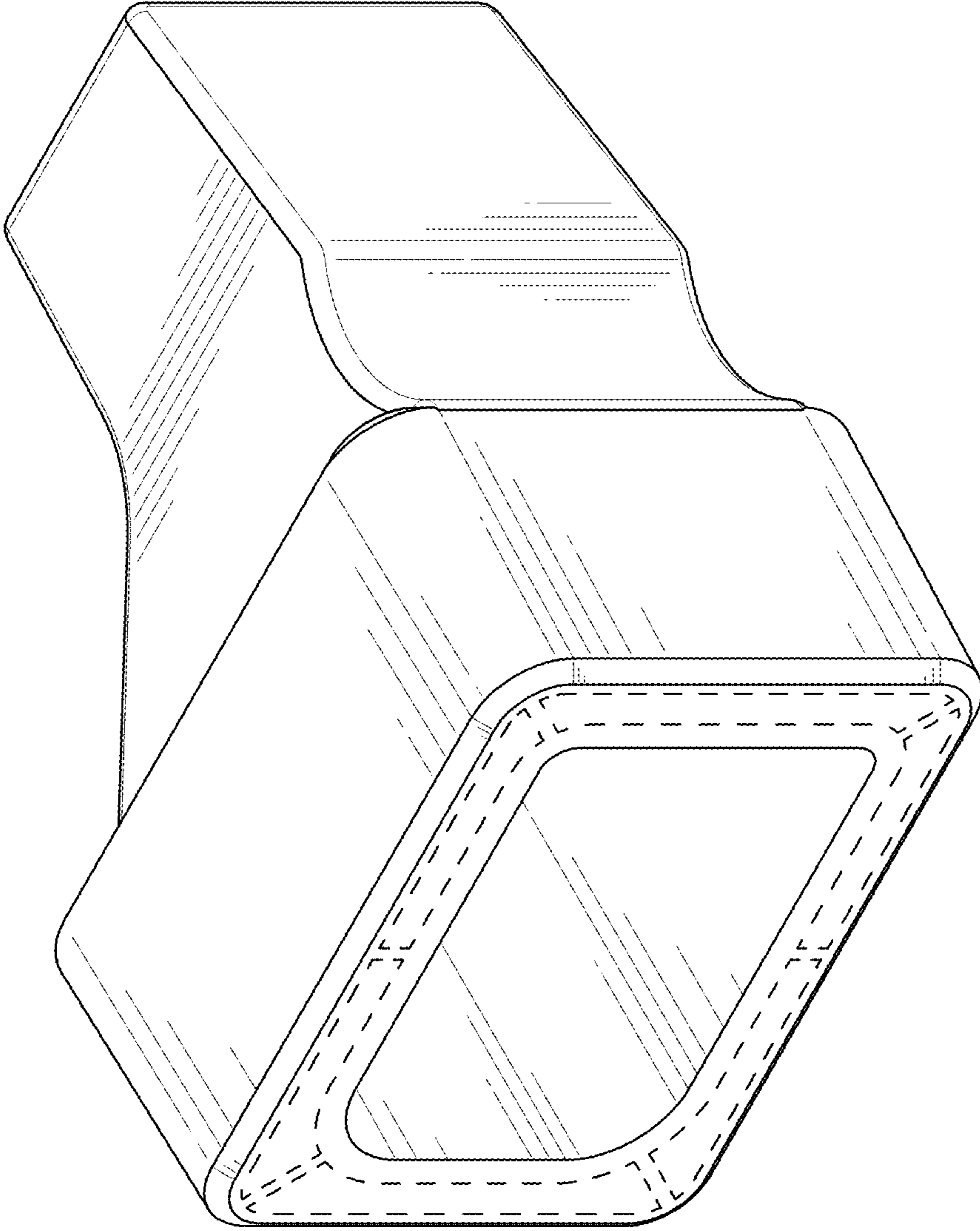


FIG. 2

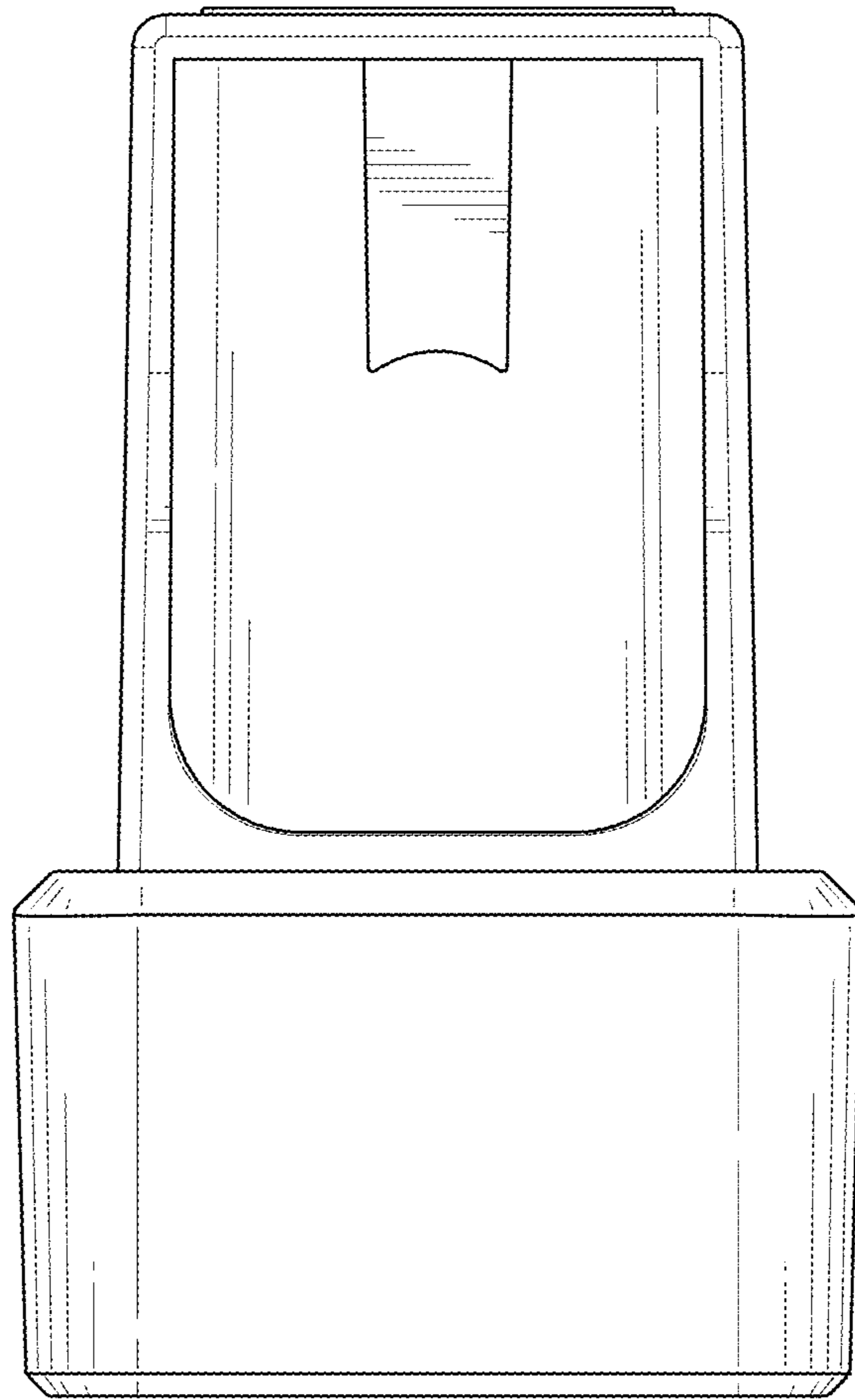


FIG. 3

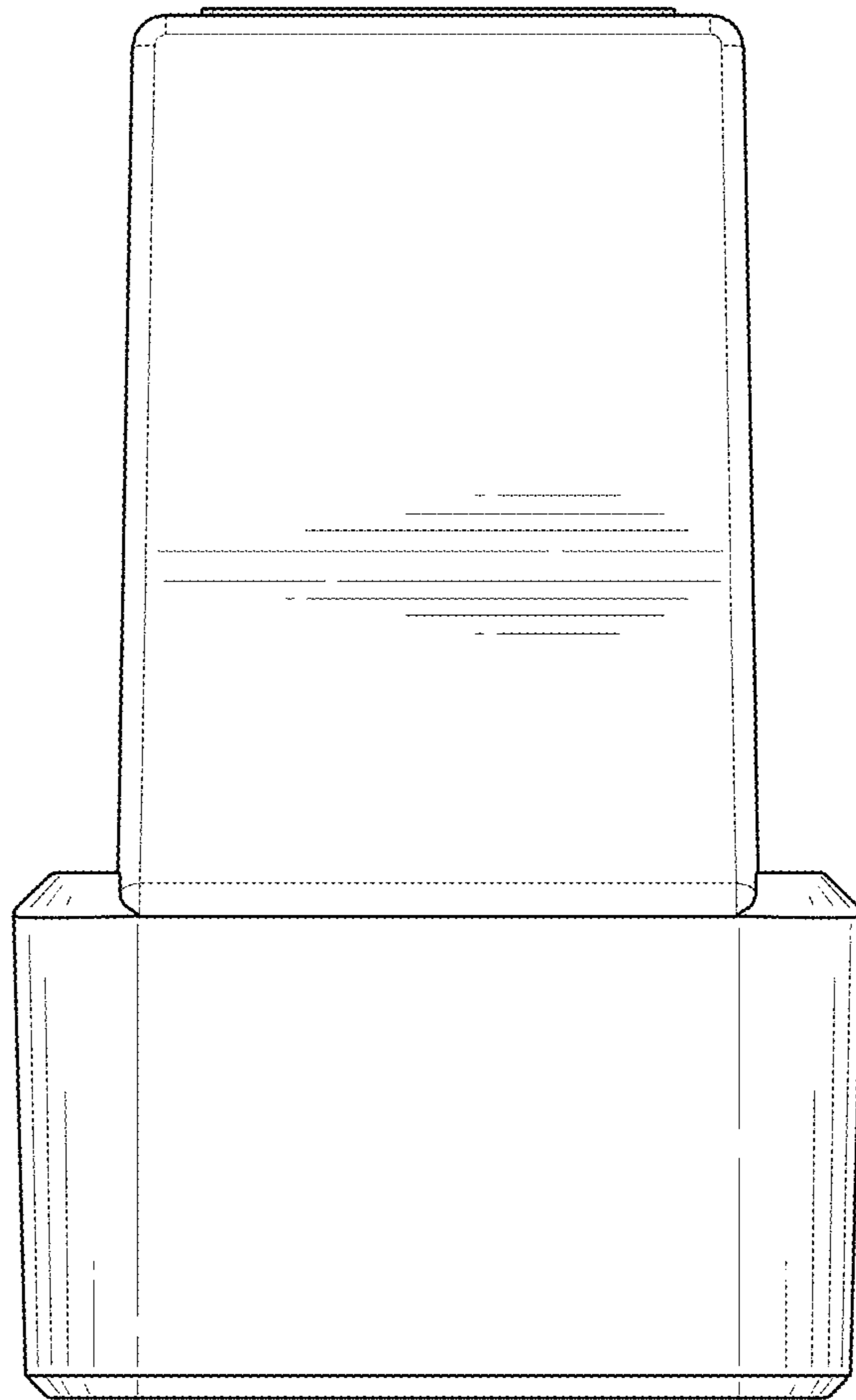


FIG. 4

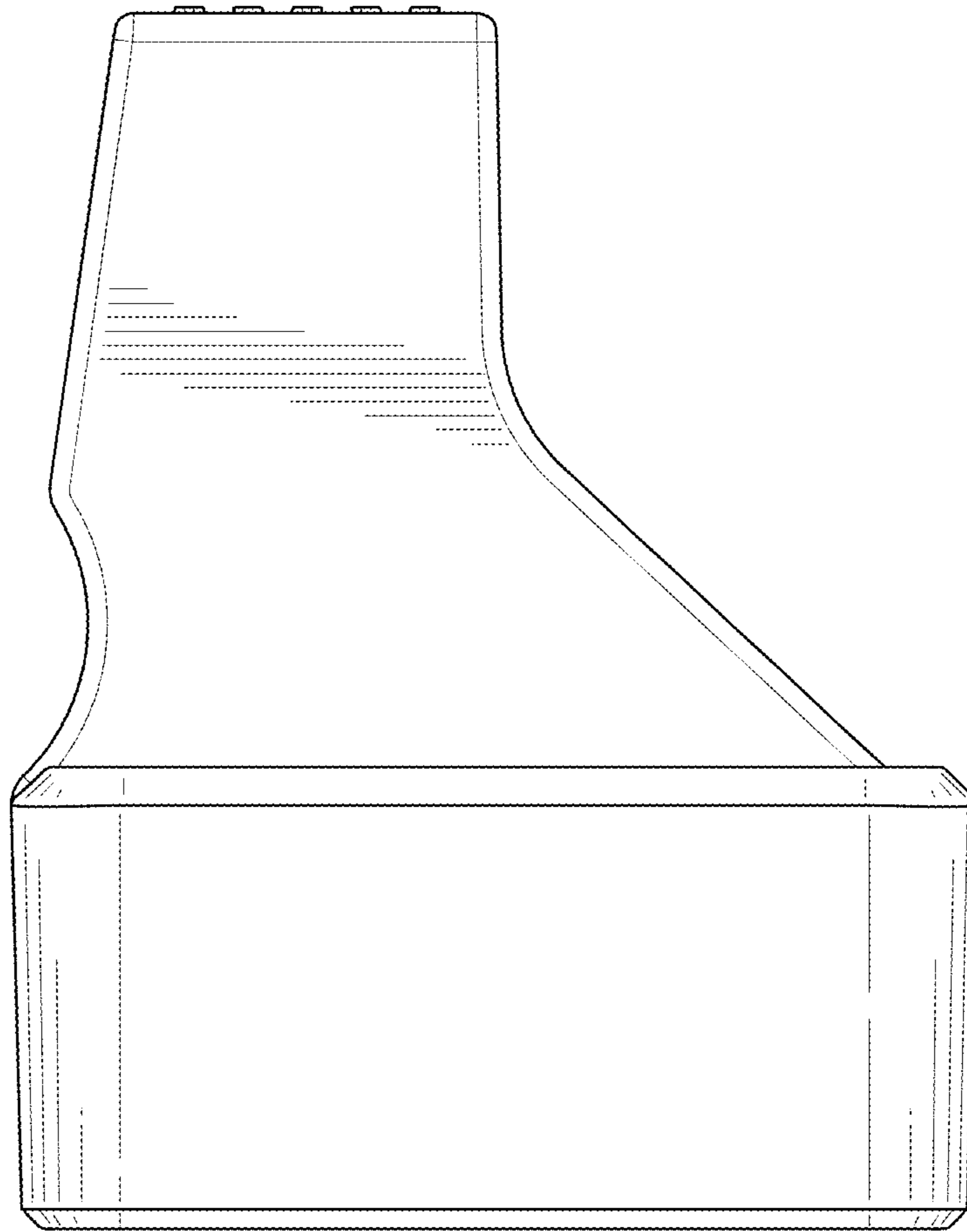


FIG. 5

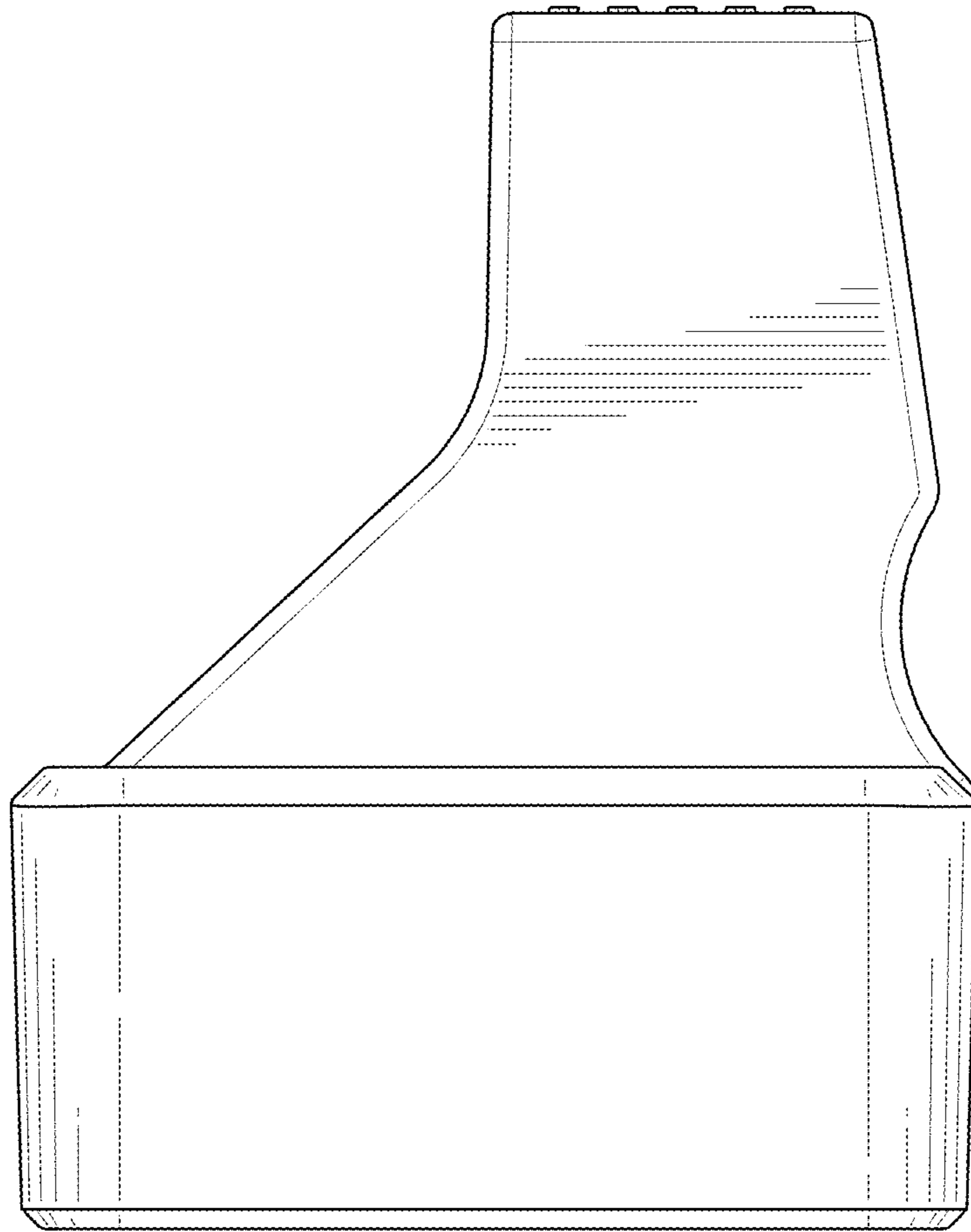


FIG. 6

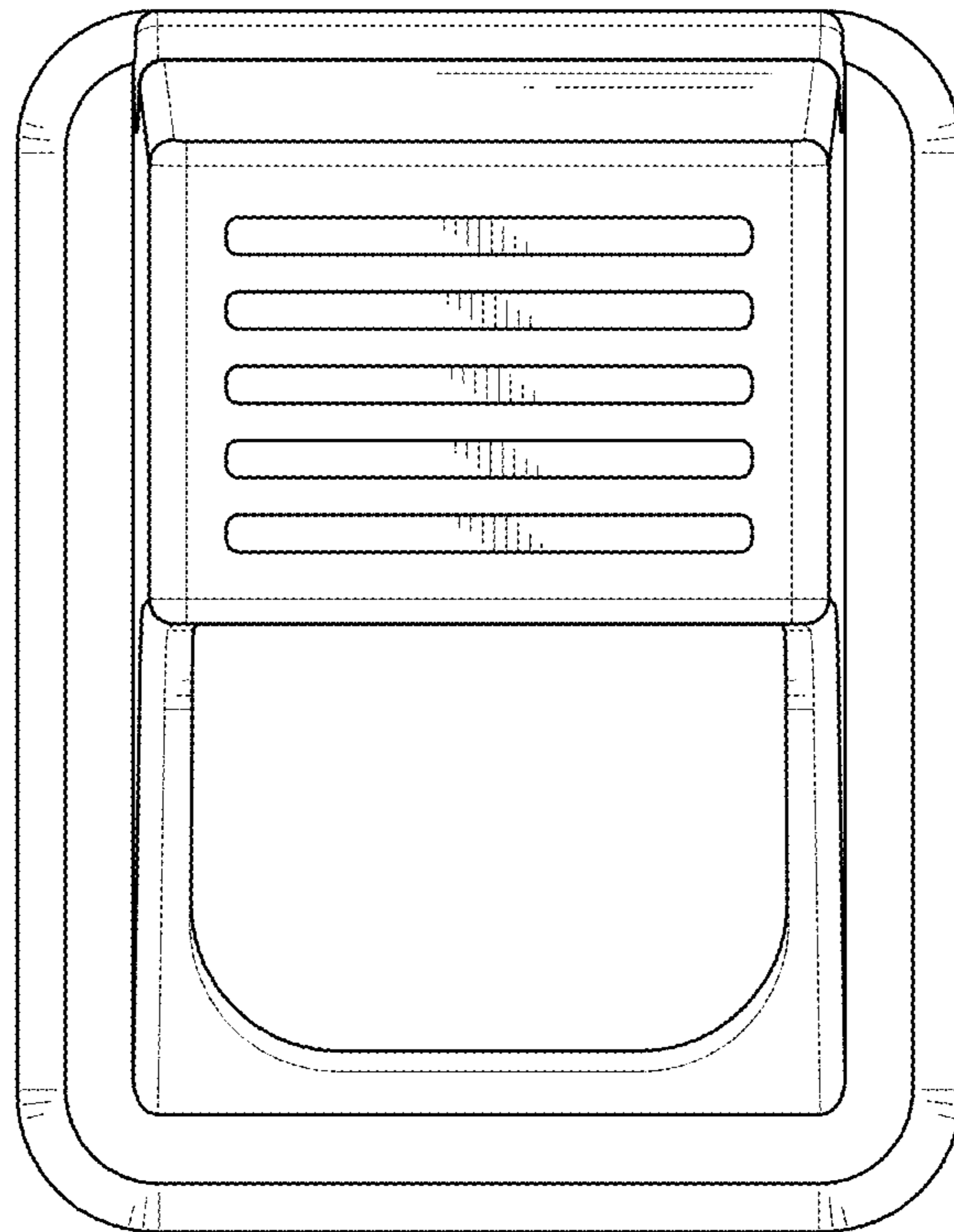


FIG. 7

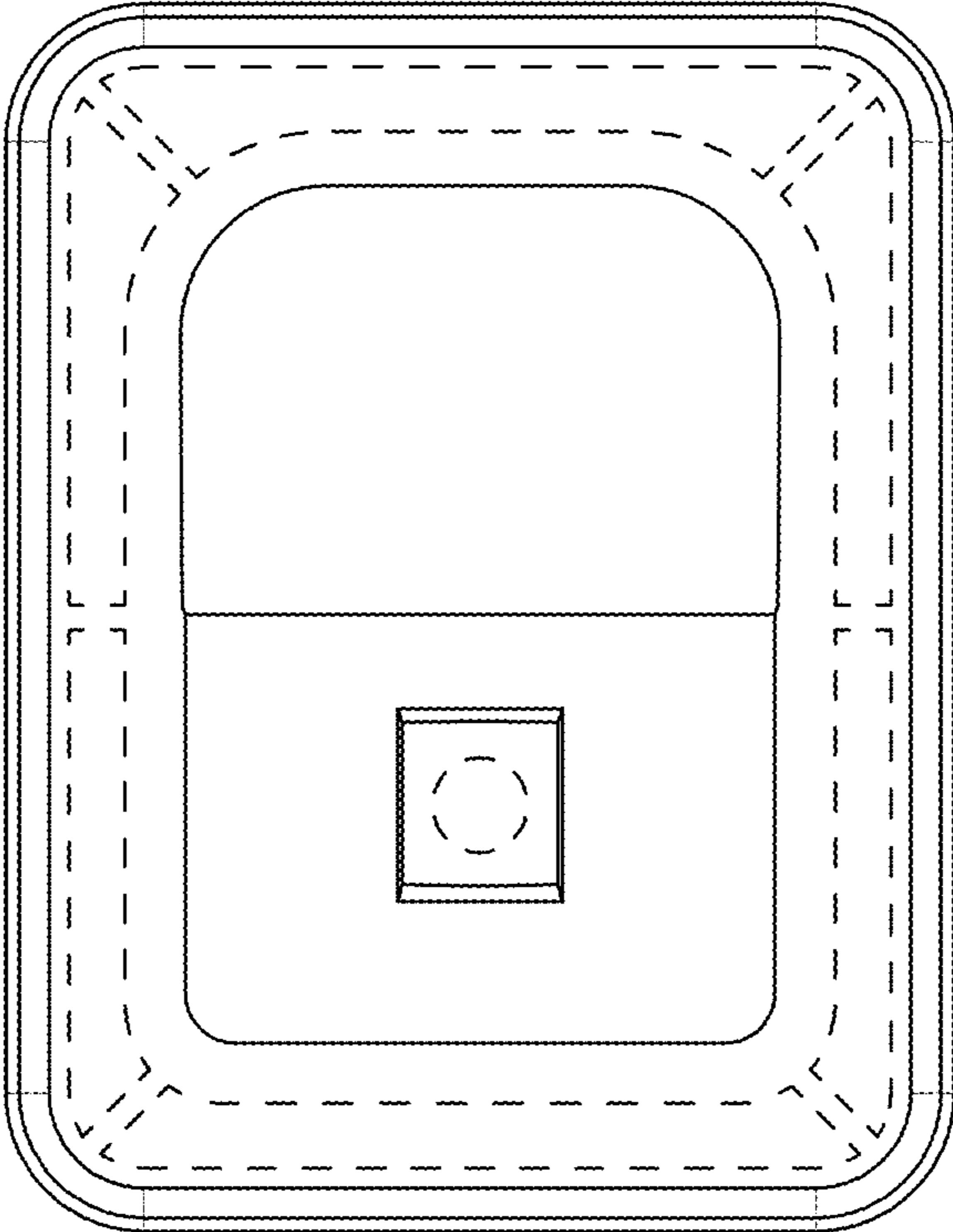


FIG. 8