



US00D938539S

(12) **United States Design Patent**
Koysman

(10) **Patent No.:** **US D938,539 S**

(45) **Date of Patent:** **** Dec. 14, 2021**

(54) **TRAMPOLINE ACCESS AND EGRESS STRUCTURE**

D844,731 S * 4/2019 Chin D21/818
D884,923 S * 5/2020 Green D25/64
D898,944 S * 10/2020 Green D25/64

(71) Applicant: **KSH Brands, LLC**, Cornwall, NY (US)

(72) Inventor: **Alisa Koysman**, Chappaqua, NY (US)

(73) Assignee: **KSH Brands, LLC**, Cornwall, NY (US)

(**) Term: **15 Years**

(21) Appl. No.: **29/680,238**

(22) Filed: **Feb. 14, 2019**

(51) **LOC (13) Cl.** **21-02**

(52) **U.S. Cl.**
USPC **D21/797**

(58) **Field of Classification Search**
USPC D21/686, 691, 694, 797, 818, 819, 821;
D25/64; 472/116
CPC ... A63B 71/022; A63B 5/11; A63B 2009/006;
A63G 21/00; A63G 21/18; A63G 31/00;
A63G 21/04; A63G 21/14; E06C 7/16
See application file for complete search history.

(56) **References Cited**

U.S. PATENT DOCUMENTS

3,273,887 A * 9/1966 Grudoski A63G 21/00
472/116
D243,953 S * 4/1977 Gannon D25/64
D244,093 S * 4/1977 Gannon D25/64
D244,704 S * 6/1977 Smyrni D21/818
D286,423 S * 10/1986 Saxman D21/818
D363,521 S * 10/1995 Gilles D21/818
D471,946 S * 3/2003 Hagerty D21/821
D797,955 S * 9/2017 Wilbur D25/65
D832,966 S * 11/2018 Nelson D21/818

OTHER PUBLICATIONS

Upper by Walmart dated no date given. Found online [Sep. 1, 2021] <https://www.walmart.com/ip/Upper-Bounce-Trampoline-Step-N-Slide-Kids-Outdoor-Step-Ladder-and-Wave-Slide-Set-2in1-Trampoline-Ladder-with-Playground-Slide-Attachment-Red/290992228>.*

(Continued)

Primary Examiner — Ryan Harvey

(74) *Attorney, Agent, or Firm* — Mauriel Kapouytian Woods LLP; Benjamin Charkow

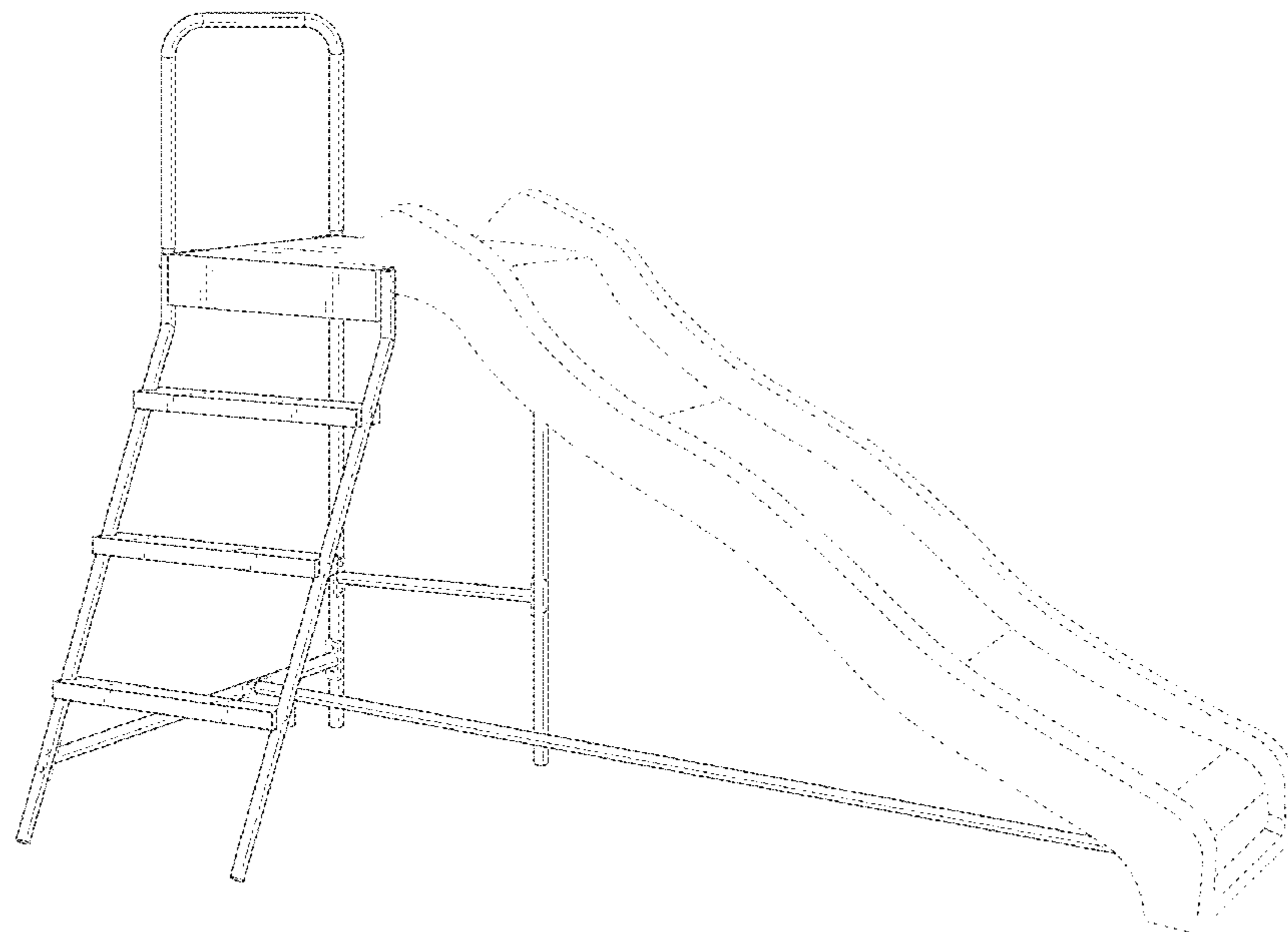
(57) **CLAIM**

The ornamental design for a trampoline egress structure, as shown and described.

DESCRIPTION

FIG. 1 is a perspective view of a trampoline egress structure; FIG. 2 is a front view of the trampoline egress structure of FIG. 1; FIG. 3 is a back view of the trampoline egress structure of FIG. 1; FIG. 4 is a left side view of the trampoline egress structure of FIG. 1; FIG. 5 is a right side view of the trampoline egress structure of FIG. 1; FIG. 6 is a top plan view of the trampoline egress structure of FIG. 1; FIG. 7 is a bottom plan view of the trampoline egress structure of FIG. 1; and, FIG. 8 is a perspective view of the trampoline egress structure, shown in an environment of use, of FIG. 1. The portion(s) of the trampoline egress structure shown in broken lines are for environmental purposes only and do not form part of the claimed design.

1 Claim, 8 Drawing Sheets



(56)

References Cited

OTHER PUBLICATIONS

Upper Bounce by Home Depot dated Dec. 25, 2020. Found online [Sep. 1, 2021] <https://www.homedepot.com/p/Upper-Bounce-Trampoline-Step-N-Slide-UB-SS-52/314438850> (Year: 2020).*

Upper Bounce Trampoline by Amazon dated Mar. 4, 2020. Found online [Sep. 1, 2021] https://www.amazon.com/dp/B085HFQZ1N/ref=cm_sw_su_dp#customerReviews (Year: 2020).*

* cited by examiner

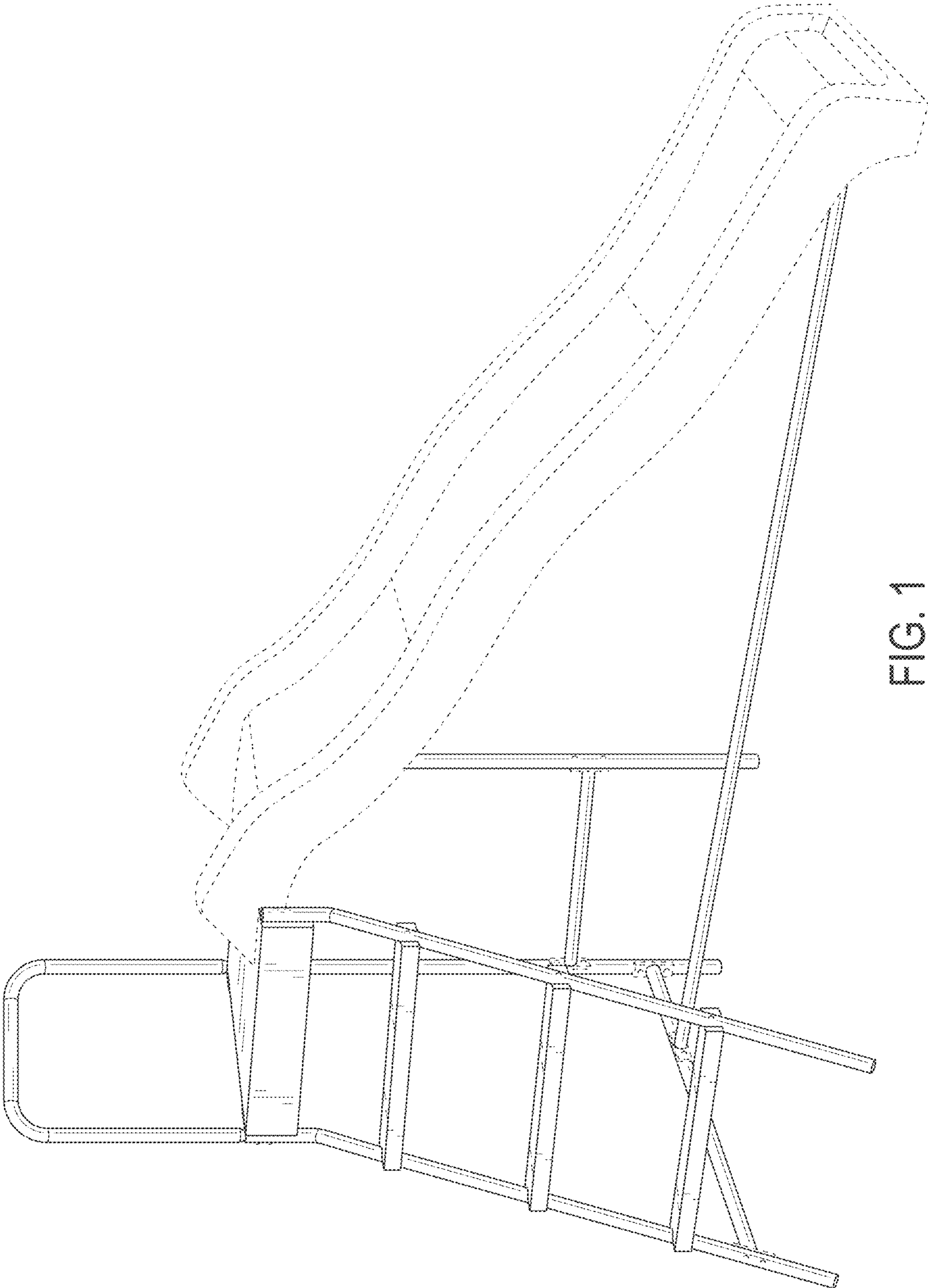


FIG. 1

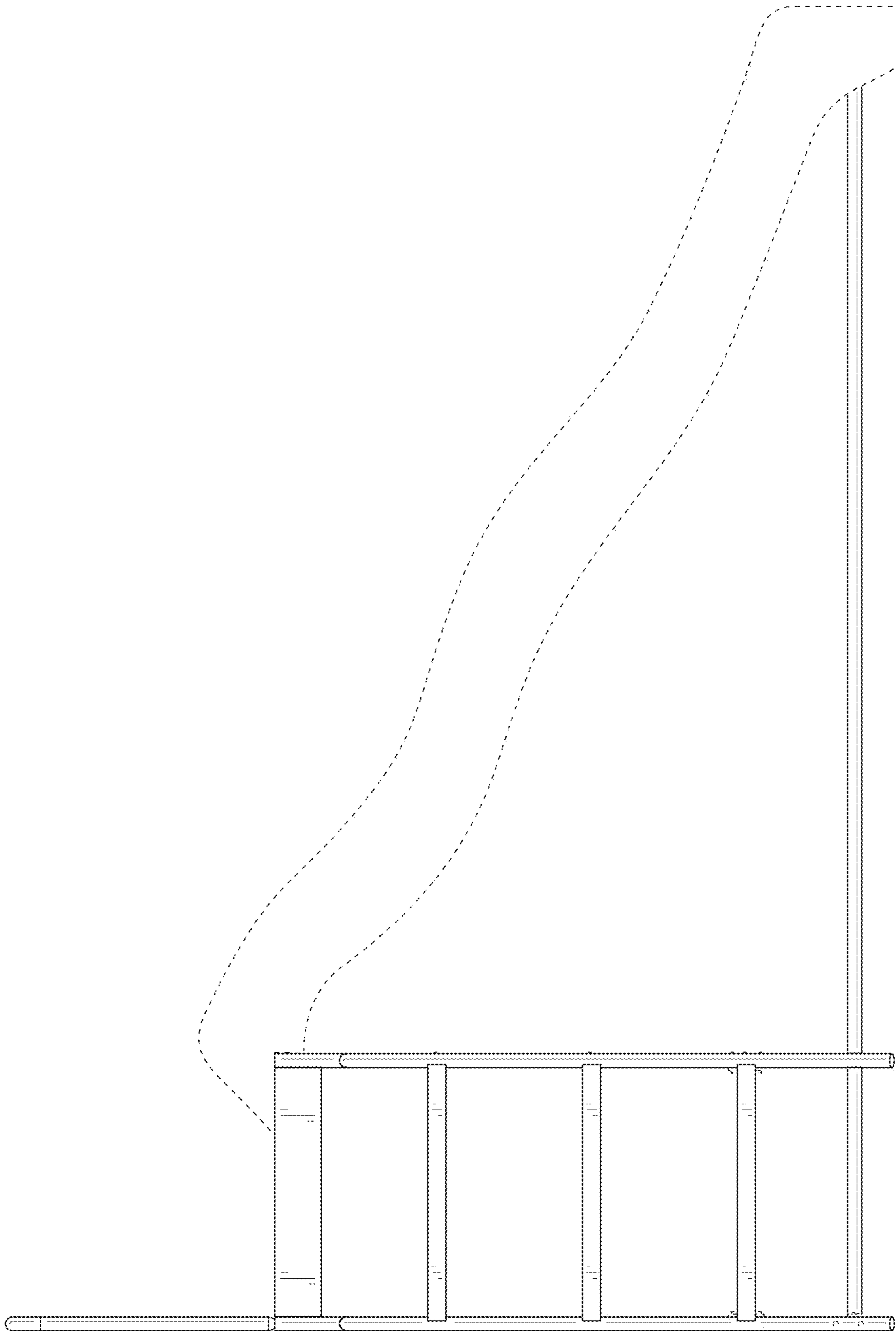


FIG. 2

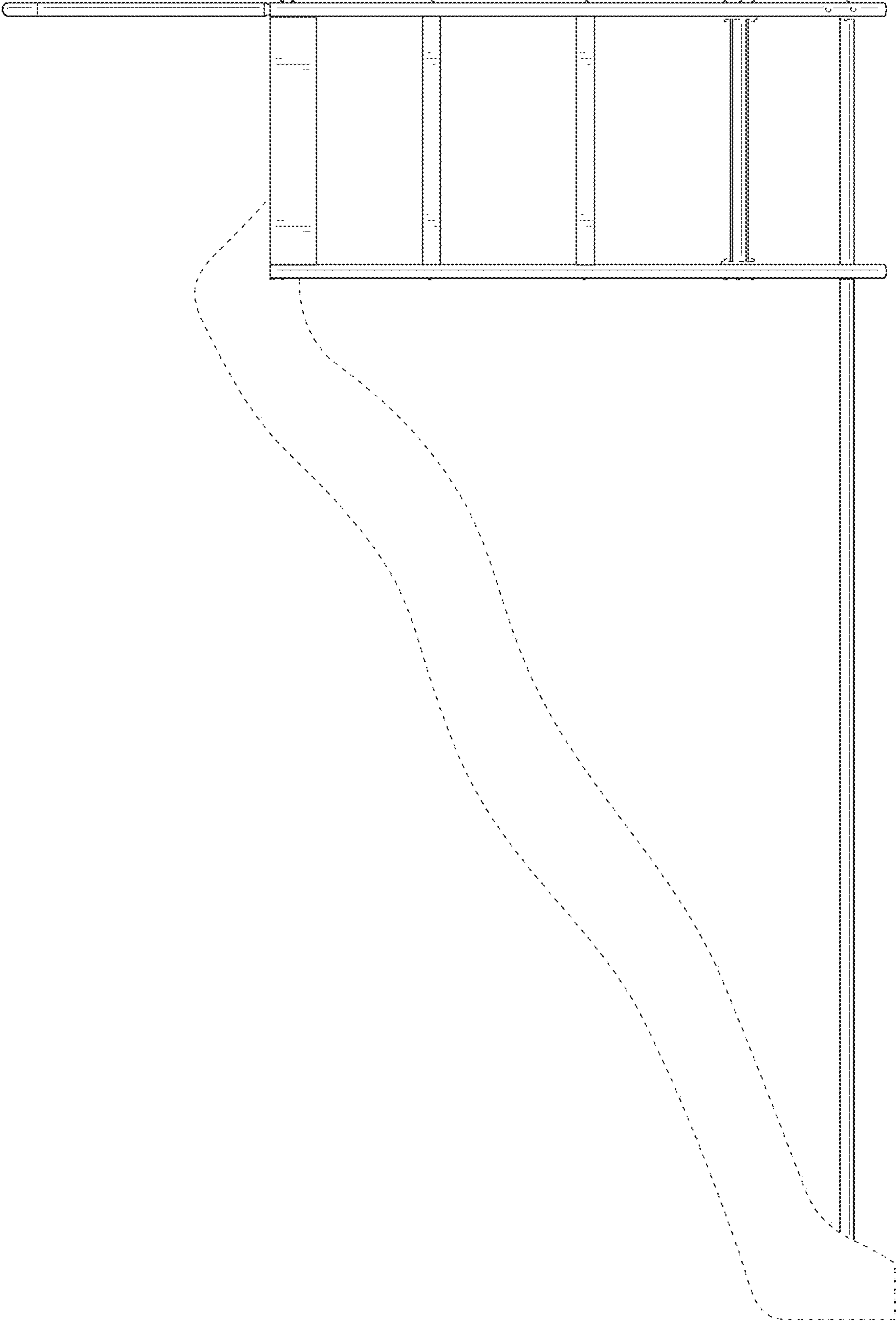


FIG. 3

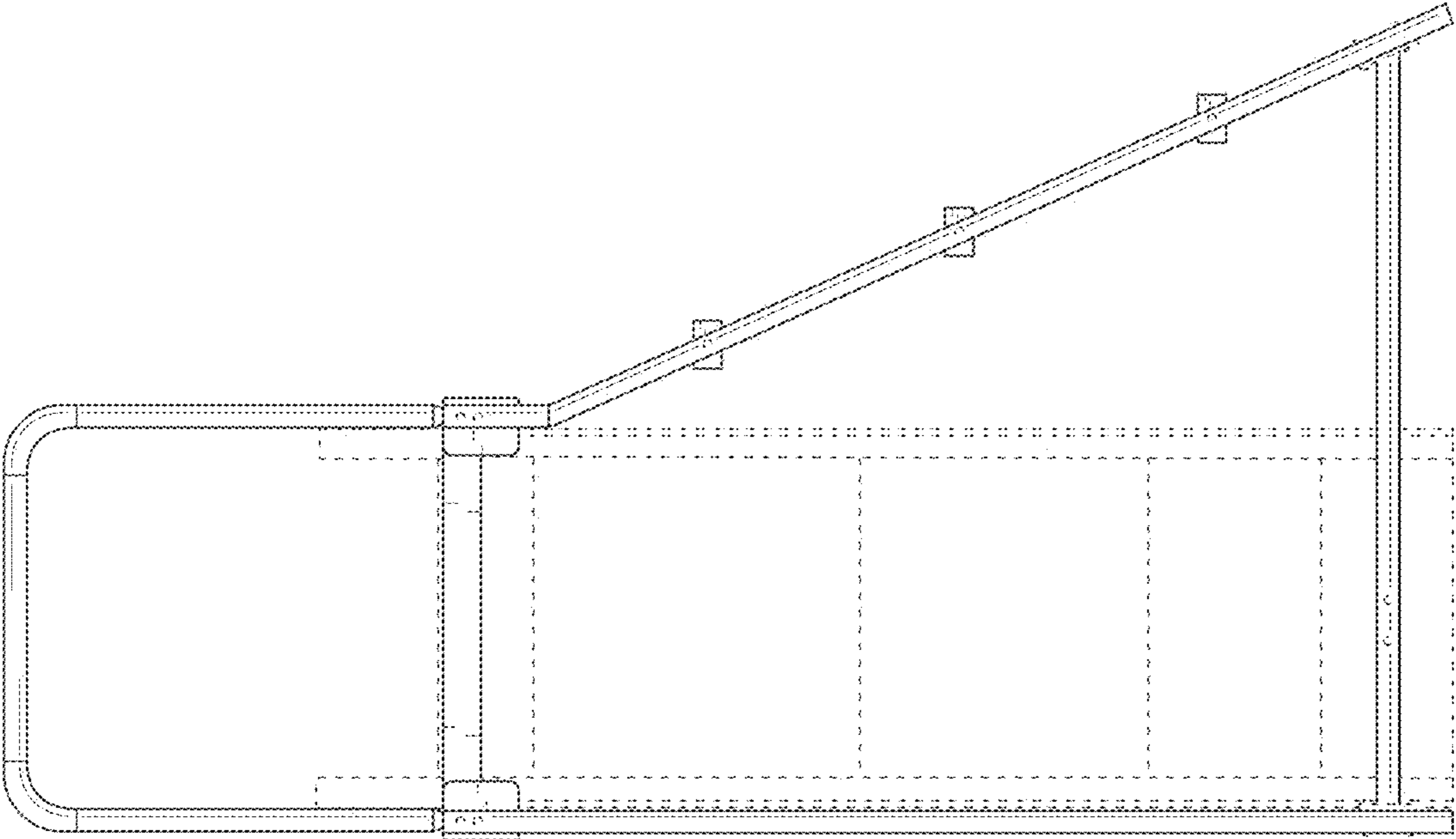


FIG. 4

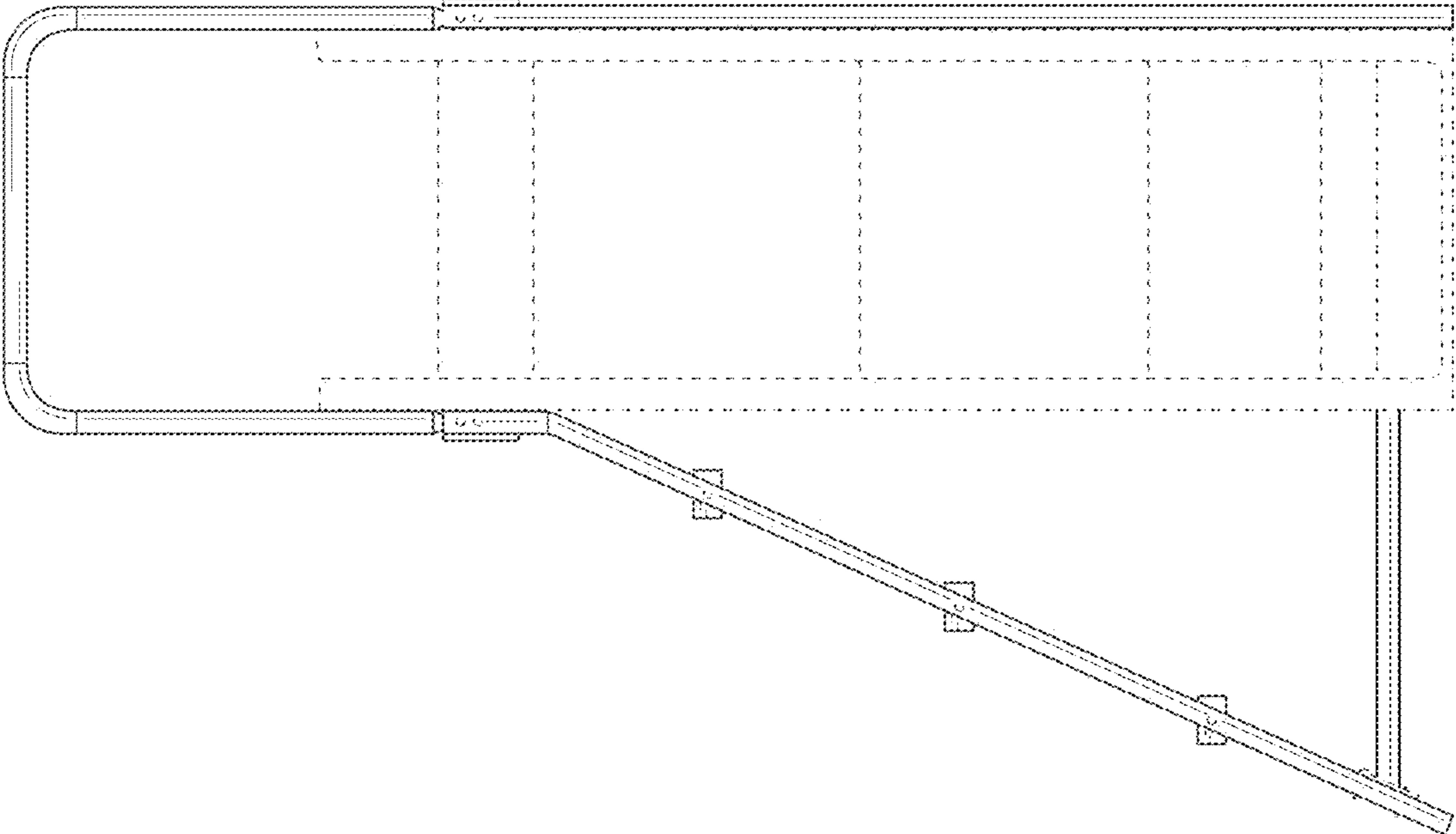


FIG. 5

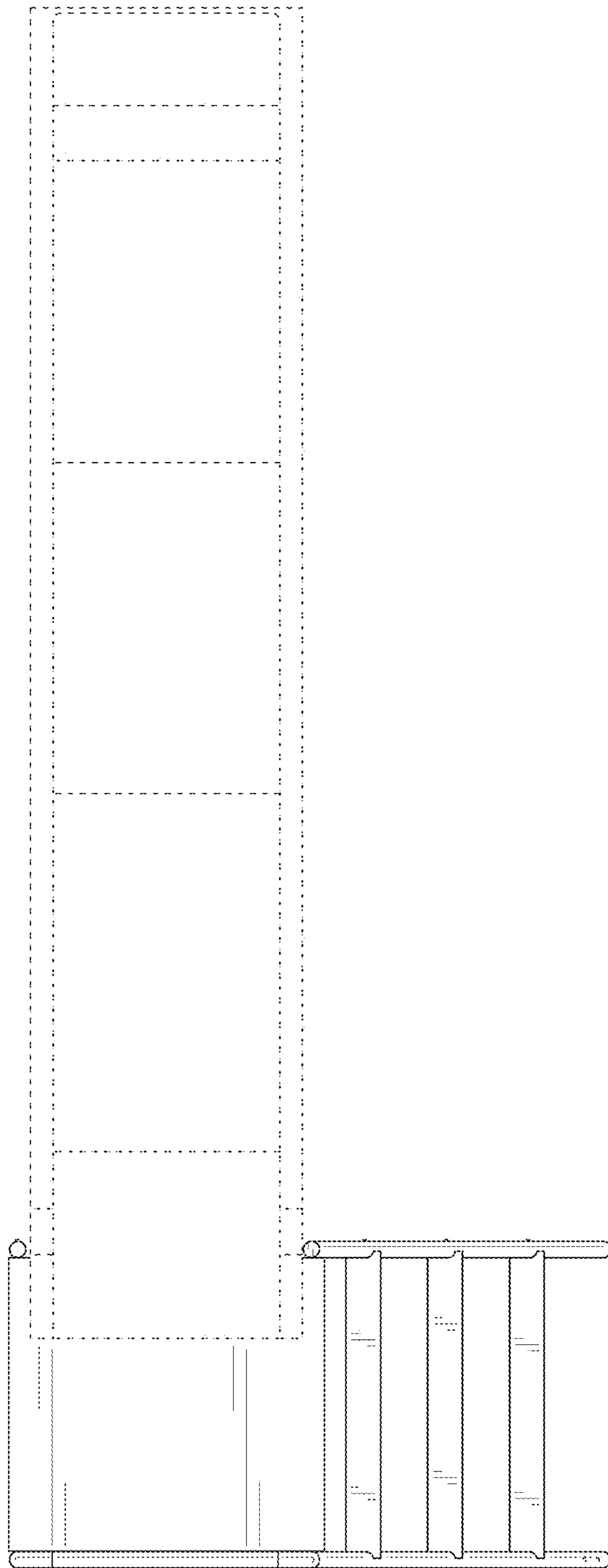


FIG. 6

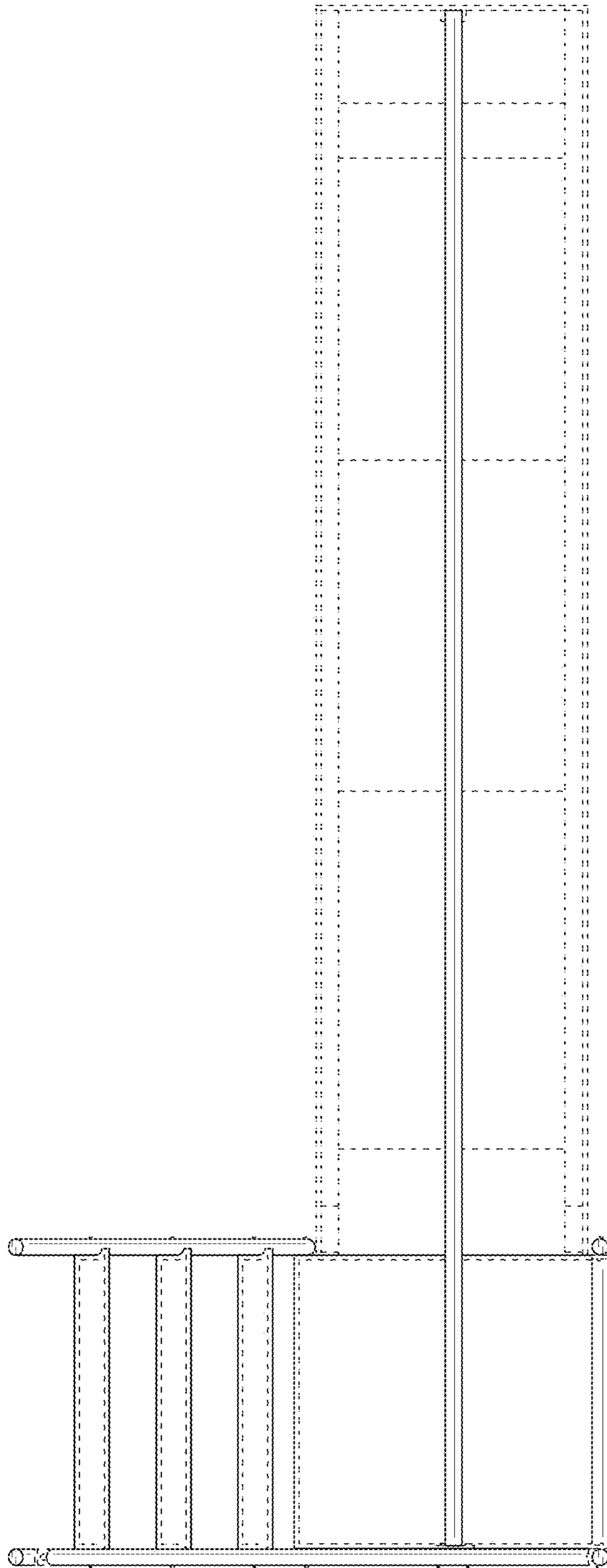


FIG. 7



FIG. 8