



US00D938533S

(12) **United States Design Patent** (10) **Patent No.:** **US D938,533 S**
Nicolette et al. (45) **Date of Patent:** **** Dec. 14, 2021**

(54) **GOLF CLUB HEAD**

- (71) Applicant: **PARSONS XTREME GOLF, LLC**,
Scottsdale, AZ (US)
- (72) Inventors: **Michael R. Nicolette**, Scottsdale, AZ
(US); **Bradley D. Schweigert**, Cave
Creek, AZ (US)
- (73) Assignee: **PARSONS XTREME GOLF, LLC**,
Scottsdale, AZ (US)
- (**) Term: **15 Years**
- (21) Appl. No.: **29/723,029**
- (22) Filed: **Feb. 4, 2020**

Related U.S. Application Data

- (63) Continuation-in-part of application No. 29/715,616,
filed on Dec. 3, 2019, now abandoned.
- (51) **LOC (13) Cl.** **21-02**
- (52) **U.S. Cl.**
USPC **D21/747**
- (58) **Field of Classification Search**
USPC D21/747-751, 759
CPC A63B 53/00; A63B 53/02; A63B 53/04;
A63B 53/047; A63B 53/0475; A63B
2053/0479; A63B 2053/0483; A63B
2053/0445; A63B 60/00; A63B 60/46
See application file for complete search history.

(56) **References Cited**

U.S. PATENT DOCUMENTS

- 1,133,129 A 3/1915 Govan
 - D164,469 S 9/1951 Behrendt
 - D164,597 S * 9/1951 Penna D21/751
- (Continued)

OTHER PUBLICATIONS

International Search Report and Written Opinion issued in connection with corresponding application No. PCT/US2015/016666, dated May 14, 2015 (8 pages).

(Continued)

Primary Examiner — Mitchell I. Siegel

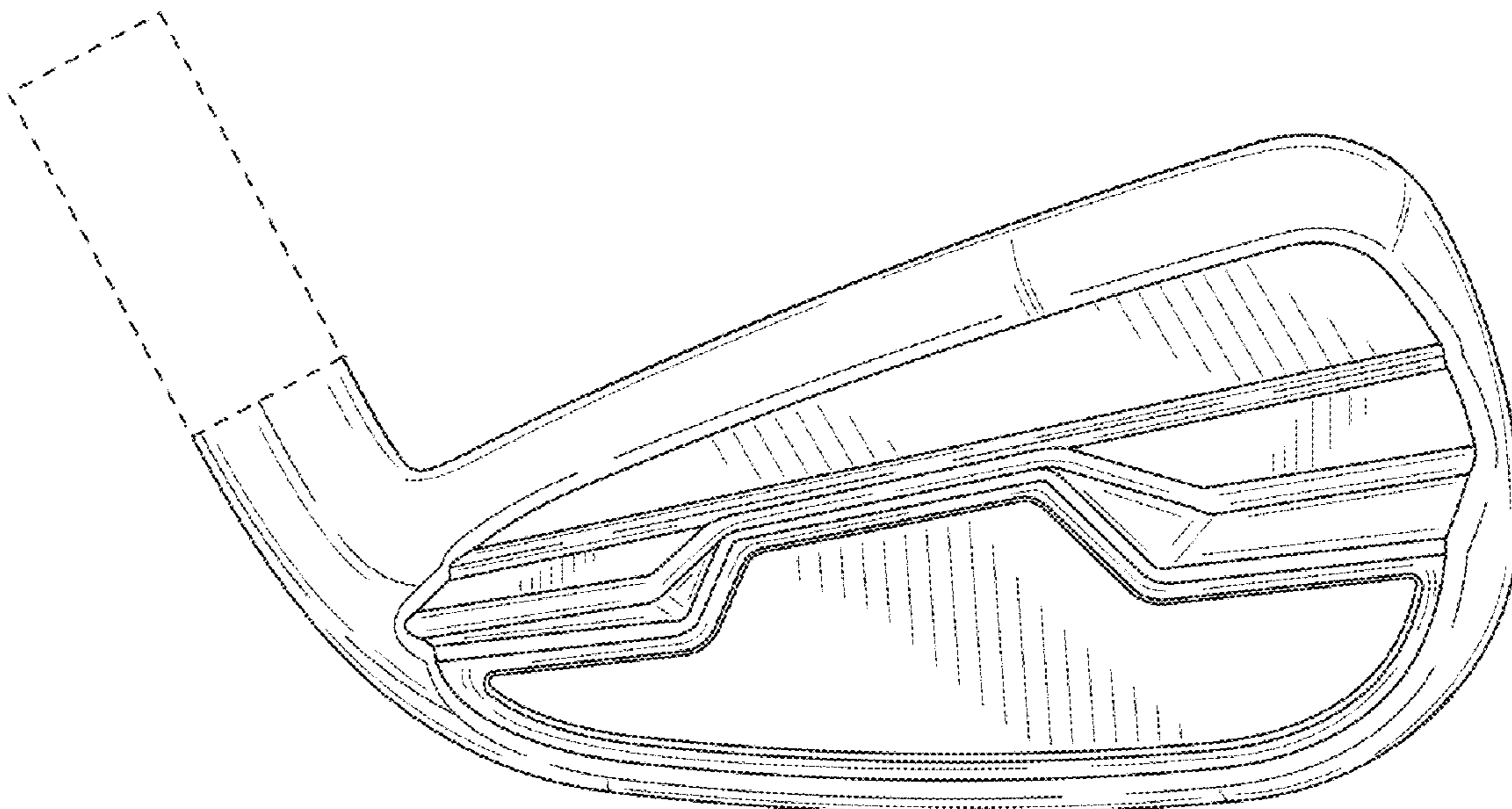
(57) **CLAIM**

The ornamental design for a golf club head, as shown and described.

DESCRIPTION

FIG. 1 is a top perspective view of a golf club head;
 FIG. 2 is a bottom perspective view of the golf club head of FIG. 1;
 FIG. 3 is a front elevational view of the golf club head of FIG. 1;
 FIG. 4 is a rear elevational view of the golf club head of FIG. 1;
 FIG. 5 is a top view of the golf club head of FIG. 1;
 FIG. 6 is a bottom view of the golf club head of FIG. 1;
 FIG. 7 is a left side view of the golf club head of FIG. 1;
 FIG. 8 is a right side view of the golf club head of FIG. 1;
 FIG. 9 is a top perspective view of a second embodiment of a golf club head;
 FIG. 10 is a bottom perspective view of the golf club head of FIG. 9;
 FIG. 11 is a front elevational view of the golf club head of FIG. 9;
 FIG. 12 is a rear elevational view of the golf club head of FIG. 9;
 FIG. 13 is a top view of the golf club head of FIG. 9;
 FIG. 14 is a bottom view of the golf club head of FIG. 9;
 FIG. 15 is a left side view of the golf club head of FIG. 9;
 and,
 FIG. 16 is a right side view of the golf club head of FIG. 9.
 The broken lines shown form no part of the claimed design.

1 Claim, 8 Drawing Sheets



(56)

References Cited

U.S. PATENT DOCUMENTS

D175,107 S	7/1955	Gordon	D502,975 S	3/2005	Schweigert et al.	
3,020,048 A	2/1962	Carroll	D503,204 S	3/2005	Nicolette et al.	
D203,936 S	3/1966	Long	D504,925 S	5/2005	Schweigert et al.	
D215,101 S	9/1969	Sabat	D505,171 S	5/2005	Schweigert et al.	
D234,963 S	4/1975	Hirata	D507,320 S	7/2005	Roberts et al.	
D239,550 S	4/1976	Timbrook	D507,614 S	7/2005	Schweigert et al.	
D240,054 S	5/1976	Meissler	D508,099 S	8/2005	Schweigert et al.	
D244,792 S	6/1977	Gelinas	D508,545 S	8/2005	Roberts et al.	
D250,136 S	10/1978	Gelinas	6,923,733 B2	8/2005	Chen	
D261,167 S	10/1981	Swanson	D511,553 S *	11/2005	Madore	D21/759
D294,617 S	3/1988	Perkins	D512,474 S *	12/2005	Madore	D21/759
4,754,977 A	7/1988	Sahm	D512,475 S *	12/2005	Madore	D21/759
4,824,116 A	4/1989	Nagamoto et al.	D514,183 S	1/2006	Schweigert et al.	
4,988,104 A	1/1991	Shiotani et al.	D516,152 S *	2/2006	Madore	D21/759
5,158,296 A	10/1992	Lee	D516,650 S	3/2006	Wolfe et al.	
5,176,384 A	1/1993	Sata et al.	D518,863 S	4/2006	Motoyoshi et al.	
5,213,328 A	5/1993	Long et al.	D523,501 S	6/2006	Nicolette et al.	
D336,672 S	6/1993	Gorman	D523,917 S	6/2006	Wolfe et al.	
D353,862 S	12/1994	Saito	D524,889 S	7/2006	Yu et al.	
D357,520 S	4/1995	Helmstetter et al.	D526,036 S *	8/2006	Nishitani	D21/747
5,419,560 A	5/1995	Bamber	D530,759 S	10/2006	Nicolette et al.	
5,425,535 A	6/1995	Gee	D530,760 S	10/2006	Schweigert et al.	
D361,358 S	8/1995	Simmons	7,121,956 B2	10/2006	Lo	
5,447,311 A	9/1995	Viollaz et al.	7,128,663 B2	10/2006	Bamber	
5,451,056 A	9/1995	Manning	D531,688 S	11/2006	Frame et al.	
D362,884 S	10/1995	Blough et al.	D532,849 S	11/2006	Nicolette et al.	
D362,885 S	10/1995	Blough et al.	D534,228 S	12/2006	Nicolette et al.	
D362,887 S	10/1995	Blough et al.	D534,595 S	1/2007	Hasebe	
D370,514 S	6/1996	Blough et al.	D534,597 S	1/2007	Nicolette et al.	
5,540,437 A	7/1996	Bamber	7,156,751 B2	1/2007	Wahl et al.	
D379,106 S	5/1997	Maltby	D536,759 S	2/2007	Schweigert et al.	
5,637,045 A	6/1997	Igarashi	D537,494 S	2/2007	Jertson et al.	
5,669,830 A	9/1997	Bamber	7,182,698 B2	2/2007	Tseng	
D389,540 S	1/1998	Mendenhall	D538,366 S	3/2007	Nicolette et al.	
D389,541 S	1/1998	Huan-Chiang	D539,864 S	4/2007	Nicolette et al.	
D395,476 S	6/1998	Pond et al.	D540,898 S	4/2007	Solheim et al.	
5,766,091 A	6/1998	Humphrey et al.	D541,360 S	4/2007	Schweigert et al.	
5,766,092 A	6/1998	Mimeur et al.	7,207,900 B2	4/2007	Nicolette et al.	
D399,277 S	10/1998	Ezaki	D543,601 S	5/2007	Kawami	
5,827,132 A	10/1998	Bamber	D544,056 S	6/2007	Nicolette et al.	
D408,485 S	4/1999	Takahashi et al.	D547,410 S	7/2007	Nicolette et al.	
5,899,821 A	5/1999	Hsu et al.	D555,219 S	11/2007	Lin	
5,935,016 A	8/1999	Antonious	7,303,486 B2	12/2007	Imamoto	
D414,535 S	9/1999	Mertens	D559,932 S	1/2008	Belmont	
D421,080 S	2/2000	Chen	D561,855 S	2/2008	Schweigert et al.	
D426,276 S	6/2000	Besnard et al.	D562,925 S	2/2008	Schweigert et al.	
D426,476 S	6/2000	Goss	7,351,164 B2	4/2008	Schweigert et al.	
6,077,171 A	6/2000	Yoneyama	D570,435 S	6/2008	Sanchez et al.	
D428,635 S *	7/2000	Nagai	D570,935 S	6/2008	Nicolette et al.	
			D570,936 S	6/2008	Schweigert et al.	
D442,659 S	5/2001	Kubica et al.	D570,942 S	6/2008	Chen et al.	
D443,008 S	5/2001	Kubica et al.	D571,422 S	6/2008	Schweigert et al.	
D445,862 S	7/2001	Ford	D571,425 S	6/2008	Chen et al.	
6,290,609 B1	9/2001	Takeda	D571,427 S	6/2008	Schweigert et al.	
D449,866 S	10/2001	Miller	D571,881 S	6/2008	Nicolette et al.	
D457,211 S	5/2002	Bakke	D572,326 S	7/2008	Schweigert et al.	
D458,328 S	6/2002	Solheim et al.	D572,329 S	7/2008	Nicolette et al.	
D466,576 S *	12/2002	Nagai	D573,219 S	7/2008	Schweigert et al.	
			7,396,299 B2	7/2008	Nicolette et al.	
D469,833 S	2/2003	Roberts et al.	7,413,518 B2	8/2008	Cole et al.	
D473,605 S	4/2003	Petersen et al.	D577,783 S	9/2008	Schweigert et al.	
D476,048 S	6/2003	Cleveland et al.	D578,590 S	10/2008	Schweigert et al.	
D478,949 S	8/2003	DeLaCruz	D581,000 S	11/2008	Nicolette et al.	
6,638,182 B2	10/2003	Kosmatka	D581,004 S	11/2008	Schweigert et al.	
6,695,714 B1	2/2004	Bliss et al.	D584,370 S	1/2009	Cleveland et al.	
6,702,693 B2	3/2004	Bamber	D585,103 S	1/2009	Foster et al.	
D488,201 S	4/2004	Wahl et al.	D586,414 S	2/2009	Foster et al.	
D492,376 S	6/2004	Nicolette et al.	D587,327 S	2/2009	Ines et al.	
D494,240 S	8/2004	Schweigert	D588,667 S *	3/2009	Oldknow	D21/759
D494,648 S	8/2004	Schweigert et al.	D589,105 S *	3/2009	Oldknow	D21/759
6,780,123 B2	8/2004	Hasebe	D589,108 S *	3/2009	Oldknow	D21/759
D497,963 S	11/2004	Toulon et al.	D594,518 S	6/2009	Schweigert	
6,811,496 B2	11/2004	Wahl et al.	D595,797 S *	7/2009	Oldknow	D21/759
D499,779 S	12/2004	Mahaffey et al.	D596,255 S *	7/2009	Oldknow	D21/759
D500,350 S	12/2004	Schweigert et al.	D596,256 S	7/2009	Schweigert et al.	
D500,351 S	12/2004	Schweigert et al.	D596,257 S	7/2009	Jertson et al.	
D502,237 S	2/2005	Schweigert et al.	D596,258 S	7/2009	Jertson et al.	
			D596,688 S	7/2009	Schweigert et al.	
			D597,158 S	7/2009	Schweigert et al.	

(56)

References Cited

U.S. PATENT DOCUMENTS

D601,216 S 9/2009 Jertson et al.
 7,588,502 B2 9/2009 Nishino
 7,601,075 B2 10/2009 Cole et al.
 D604,783 S 11/2009 Nicolette et al.
 7,611,424 B2 11/2009 Nagai et al.
 D606,605 S 12/2009 Wada et al.
 D607,070 S 12/2009 Wada et al.
 D607,071 S 12/2009 Wada et al.
 7,658,666 B2 2/2010 Sung
 D612,438 S 3/2010 Carlyle et al.
 D612,439 S 3/2010 Carlyle et al.
 D617,406 S 6/2010 Carlyle et al.
 D618,293 S 6/2010 Foster et al.
 7,736,243 B2 6/2010 Sanchez et al.
 7,744,484 B1 6/2010 Chao
 D621,893 S 8/2010 Nicolette et al.
 D621,894 S 8/2010 Schweigert
 D621,895 S 8/2010 Schweigert et al.
 7,798,917 B2 9/2010 Nguyen et al.
 7,815,521 B2 10/2010 Ban et al.
 D627,409 S 11/2010 Schweigert et al.
 D627,410 S 11/2010 Nicolette et al.
 7,846,040 B2 12/2010 Ban
 D633,159 S 2/2011 Holt et al.
 D633,967 S 3/2011 Carlyle et al.
 D635,627 S 4/2011 Nicolette
 7,938,738 B2 5/2011 Roach
 D642,642 S 8/2011 Jertson et al.
 D643,488 S 8/2011 Holt et al.
 D643,490 S 8/2011 Wada et al.
 D643,491 S 8/2011 Stokke et al.
 D643,492 S 8/2011 Nicolette et al.
 D643,895 S 8/2011 Wieland
 D643,896 S 8/2011 Jertson et al.
 D647,582 S 10/2011 Nicolette et al.
 D647,984 S * 11/2011 Atwell D21/747
 D648,409 S * 11/2011 Atwell D21/747
 D649,211 S 11/2011 Jertson et al.
 8,062,150 B2 11/2011 Gilbert et al.
 D651,268 S 12/2011 Nicolette et al.
 8,088,025 B2 1/2012 Wahl et al.
 8,092,319 B1 1/2012 Cackett et al.
 8,105,180 B1 1/2012 Cackett et al.
 8,142,307 B2 3/2012 Sanchez et al.
 D658,248 S 4/2012 Nunez et al.
 8,221,262 B1 7/2012 Cackett et al.
 8,246,487 B1 8/2012 Cackett et al.
 D670,775 S 11/2012 Jertson et al.
 D672,417 S 12/2012 Jertson et al.
 8,328,662 B2 12/2012 Nakamura et al.
 D673,629 S * 1/2013 Breier D21/747
 D673,633 S 1/2013 Jertson et al.
 D673,634 S 1/2013 Jertson et al.
 8,376,878 B2 2/2013 Bennett et al.
 D680,603 S 4/2013 Nicolette et al.
 D681,142 S 4/2013 Fossum et al.
 D681,143 S 4/2013 Nicolette et al.
 8,414,422 B2 4/2013 Peralta et al.
 8,506,420 B2 8/2013 Hocknell et al.
 8,545,343 B2 10/2013 Boyd et al.
 8,574,094 B2 11/2013 Nicolette et al.
 8,657,700 B2 2/2014 Nicolette et al.
 8,663,026 B2 3/2014 Blowers et al.
 8,690,710 B2 4/2014 Nicolette et al.
 D707,316 S 6/2014 Aguayo et al.
 D707,317 S 6/2014 Aguayo et al.
 8,753,230 B2 6/2014 Stokke et al.
 D708,688 S 7/2014 Nicolette et al.
 8,827,832 B2 9/2014 Breier et al.
 8,827,833 B2 9/2014 Amano et al.
 8,845,455 B2 9/2014 Ban et al.

D716,387 S 10/2014 Aguayo et al.
 D716,388 S 10/2014 Aguayo et al.
 D716,391 S 10/2014 Roche et al.
 D722,352 S 2/2015 Nicolette et al.
 D723,120 S 2/2015 Nicolette
 8,961,336 B1 2/2015 Parsons et al.
 D726,265 S 4/2015 Nicolette
 9,199,143 B1 12/2015 Parsons et al.
 D746,926 S 1/2016 Parsons et al.
 D748,214 S 1/2016 Nicolette et al.
 D748,749 S 2/2016 Nicolette et al.
 D756,471 S 5/2016 Nicolette et al.
 D764,610 S 8/2016 Parsons et al.
 9,421,437 B2 8/2016 Parsons et al.
 9,427,634 B2 8/2016 Parsons et al.
 D773,575 S 12/2016 Nicolette
 D802,068 S 11/2017 Parsons et al.
 D816,787 S 5/2018 Nicolette et al.
 D827,065 S 8/2018 Nicolette
 D835,737 S 12/2018 Parsons et al.
 D893,647 S * 8/2020 Parsons D21/747
 D893,648 S * 8/2020 Parsons D21/747
 D894,302 S * 8/2020 Parsons D21/747
 D915,535 S * 4/2021 Parsons D21/747
 D916,220 S * 4/2021 Parsons D21/747
 D921,796 S * 6/2021 Parsons D21/759
 2002/0107087 A1 8/2002 Fagot
 2003/0139226 A1 7/2003 Cheng et al.
 2003/0176231 A1 9/2003 Hasebe
 2004/0204263 A1 10/2004 Fagot et al.
 2005/0009632 A1 1/2005 Schweigert et al.
 2005/0014573 A1 1/2005 Lee
 2005/0096148 A1 5/2005 Noble et al.
 2005/0119066 A1 6/2005 Stites et al.
 2005/0239569 A1 10/2005 Best et al.
 2005/0277485 A1 12/2005 Hou et al.
 2006/0111200 A1 5/2006 Poynor
 2007/0032308 A1 2/2007 Fagot et al.
 2007/0225084 A1 9/2007 Schweigert et al.
 2008/0058113 A1 3/2008 Nicolette et al.
 2008/0188322 A1 8/2008 Anderson et al.
 2008/0300065 A1 12/2008 Schweigert
 2009/0029790 A1 1/2009 Nicolette et al.
 2010/0130306 A1 5/2010 Schweigert
 2010/0178999 A1 7/2010 Nicolette et al.
 2011/0111883 A1 5/2011 Cackett
 2011/0165963 A1 7/2011 Cackett et al.
 2011/0269567 A1 11/2011 Ban et al.
 2011/0294596 A1 12/2011 Ban
 2013/0137532 A1 5/2013 Deshmukh et al.
 2013/0225319 A1 8/2013 Kato
 2013/0281226 A1 10/2013 Ban
 2013/0288823 A1 10/2013 Hebreo
 2013/0303303 A1 11/2013 Ban
 2013/0310192 A1 11/2013 Wahl et al.
 2014/0080621 A1 3/2014 Nicolette et al.
 2014/0128175 A1 5/2014 Jertson et al.
 2014/0274441 A1 9/2014 Greer
 2014/0274451 A1 9/2014 Knight et al.
 2015/0231454 A1 8/2015 Parsons et al.
 2015/0231806 A1 8/2015 Parsons et al.

OTHER PUBLICATIONS

Kozuchowski, Zak. "Callaway Mack Daddy 2 PM Grind Wedges" (<http://www.golfwrx.com/276203/callaway-mack-daddy-2-pm-grind-wedges/>), www.golfwrx.com, GolfWRX Holdings, LLC, published Jan. 21, 2015.
 Wall, Jonathan, "Details: Phil's Prototype Mack Daddy PM-Grind Wedge," (<http://www.pgatour.com/equipmentreport/2015/01/21/callaway-wedge.html>), www.pgatour.com, PGA Tour, Inc., published Jan. 21, 2015.

* cited by examiner

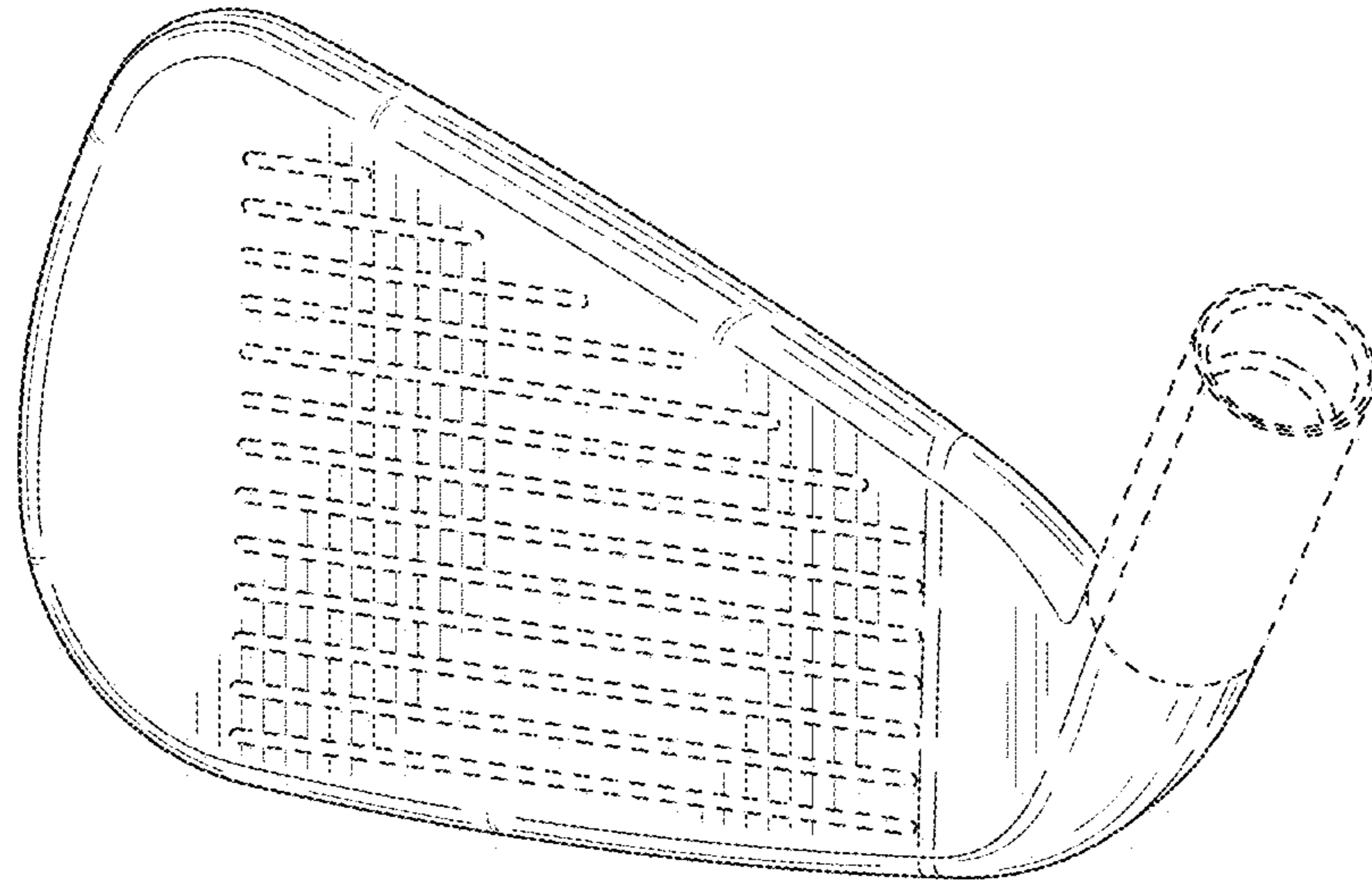


FIG. 1

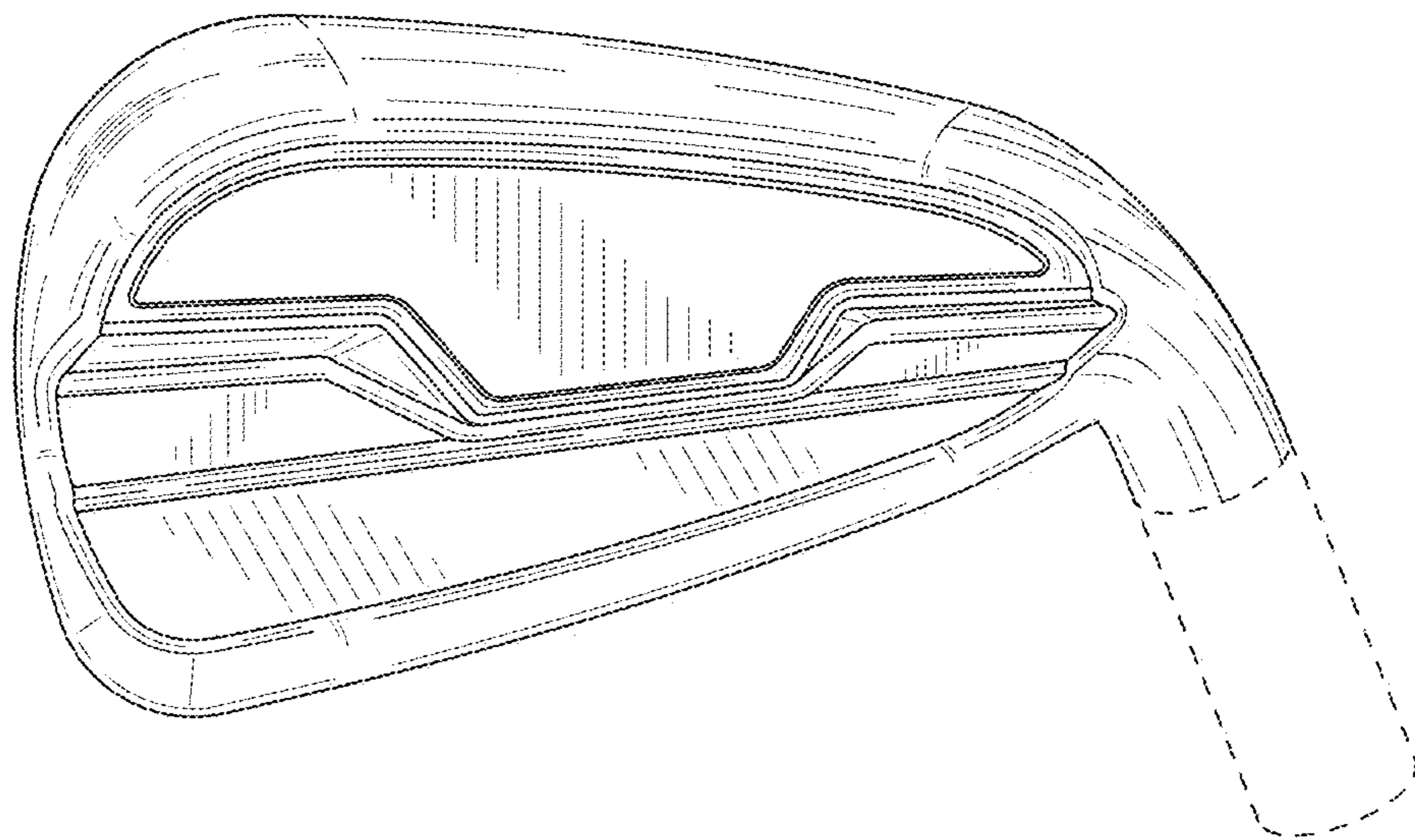


FIG. 2

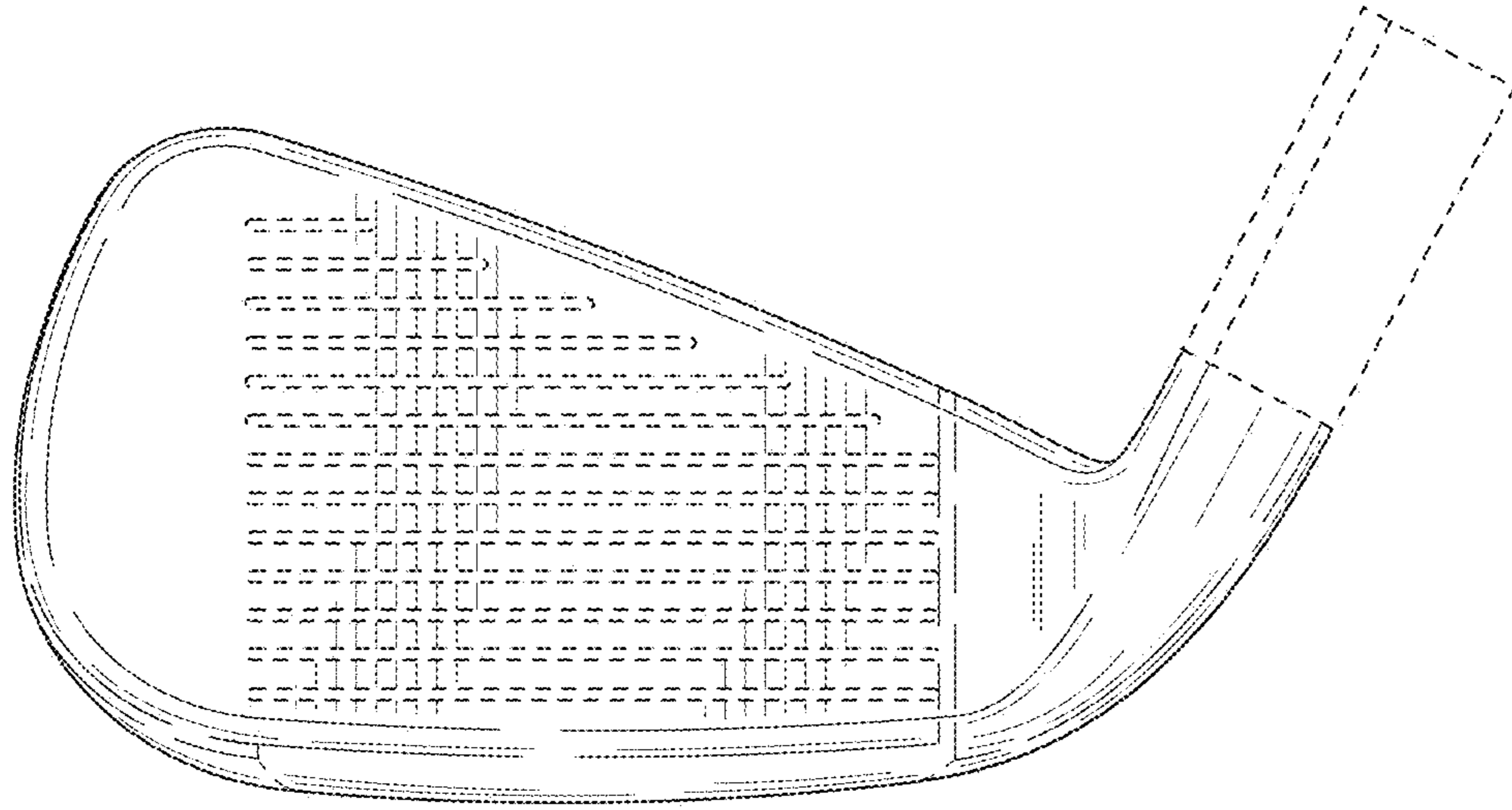


FIG. 3

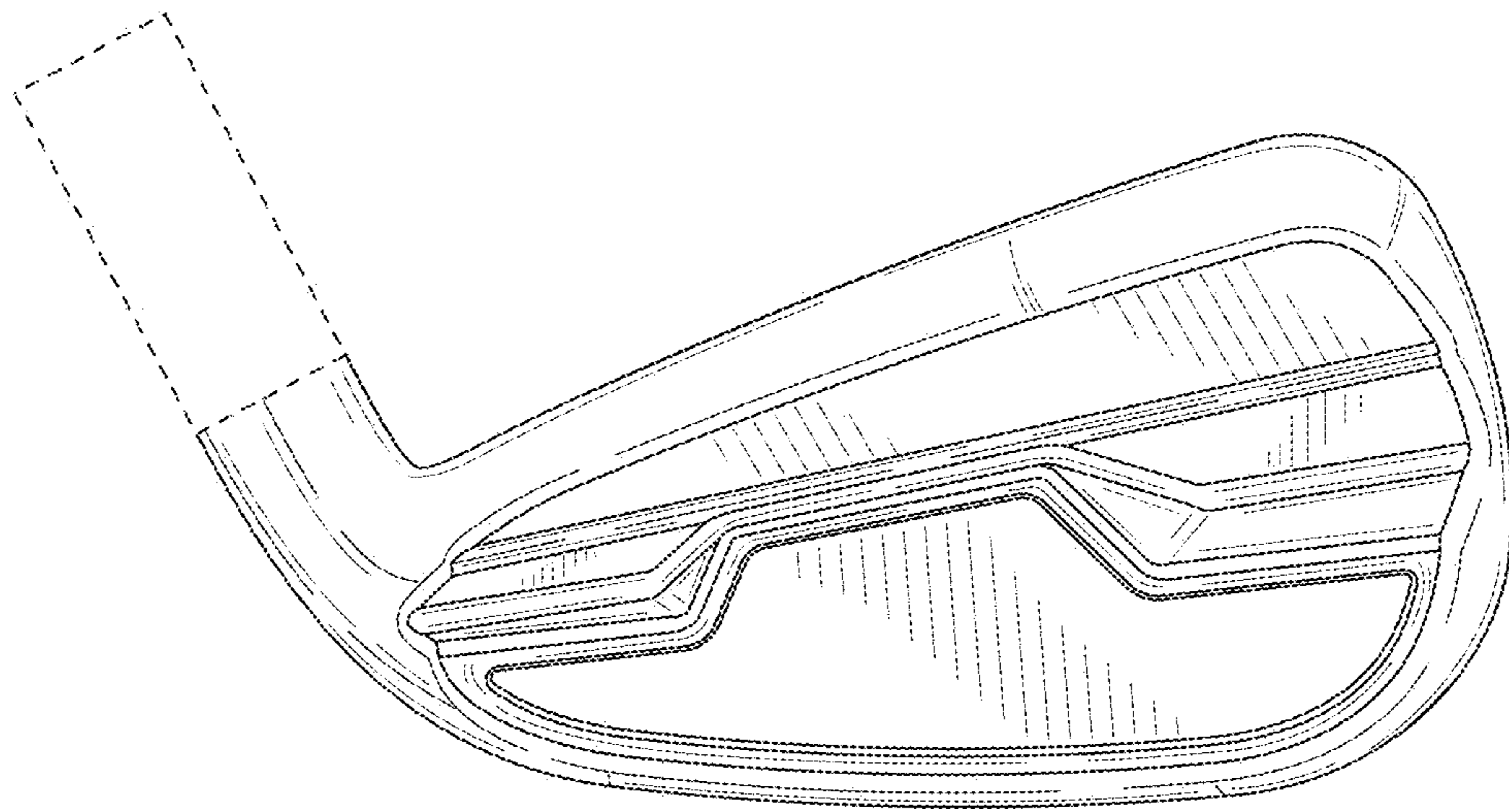


FIG. 4

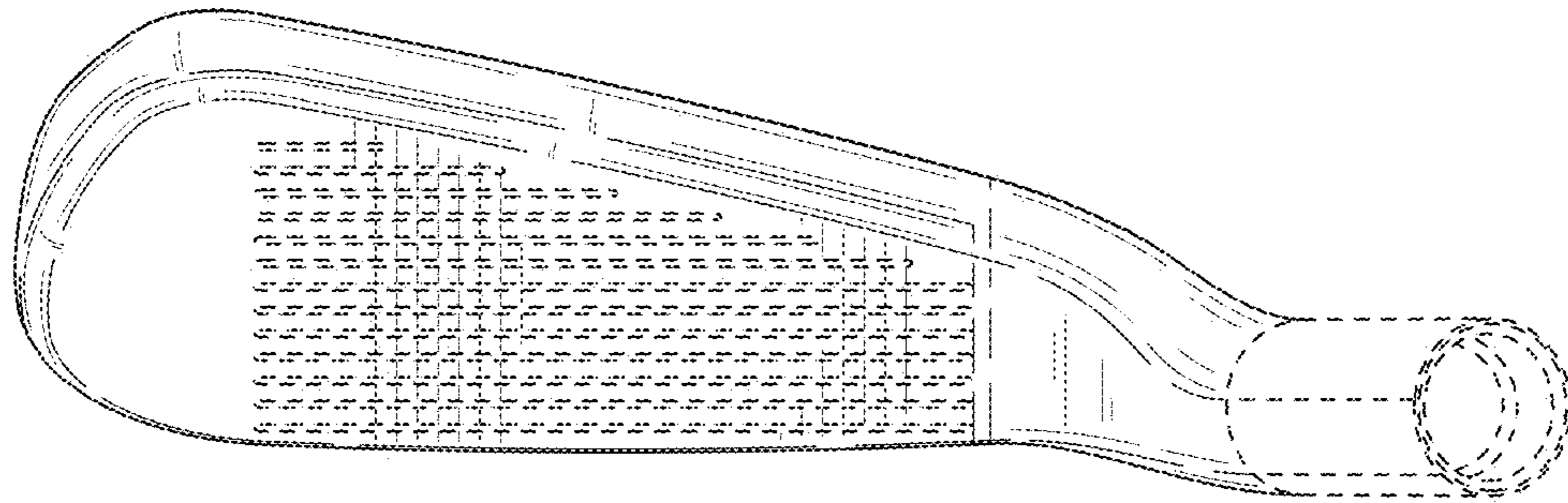


FIG. 5

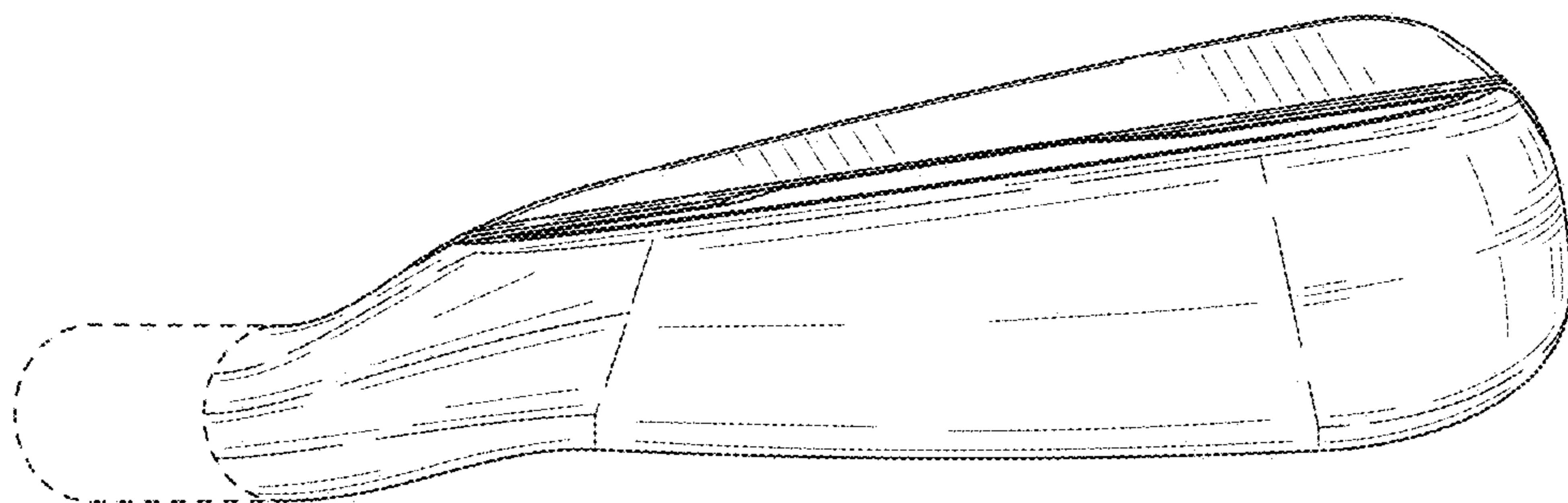


FIG. 6

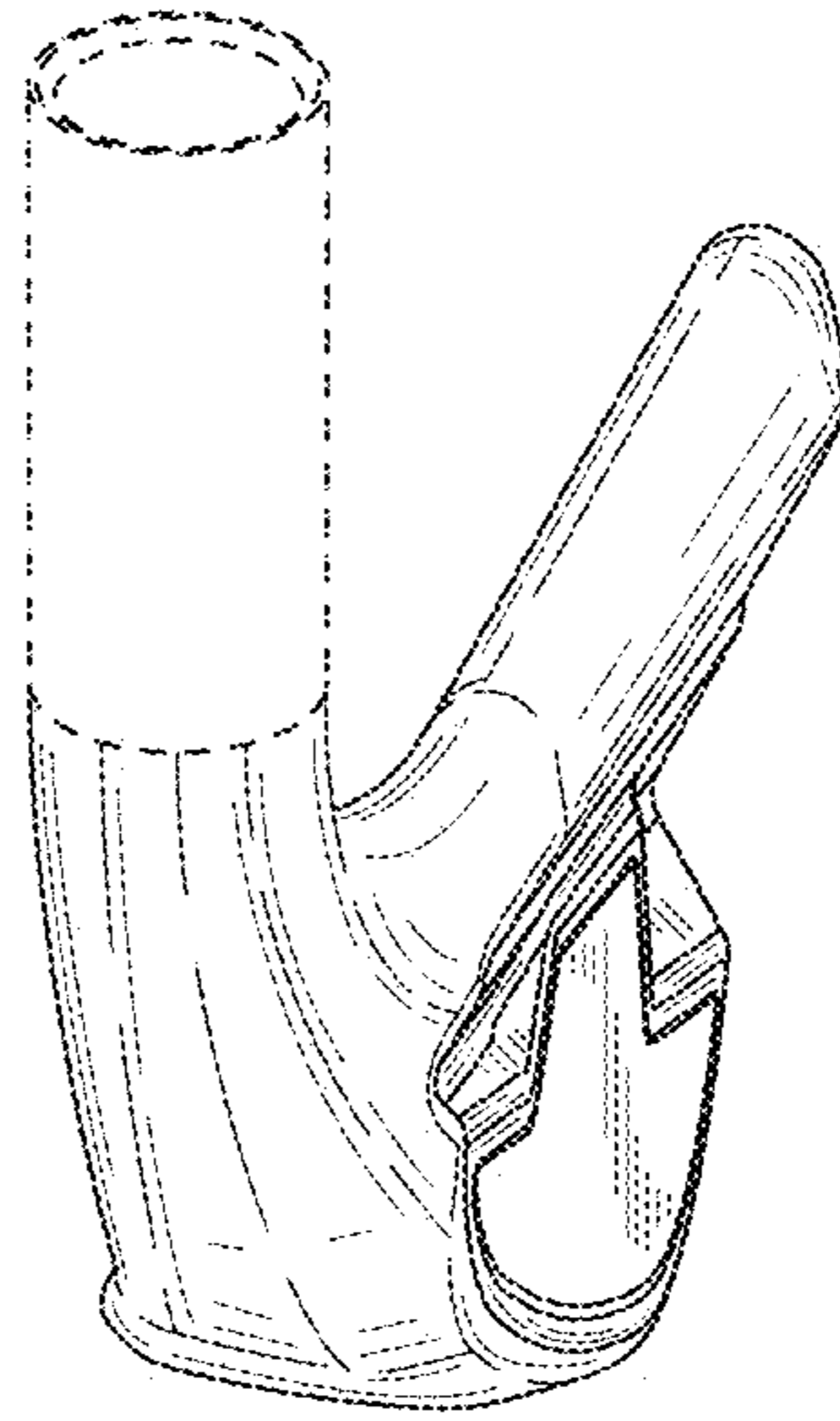


FIG. 7

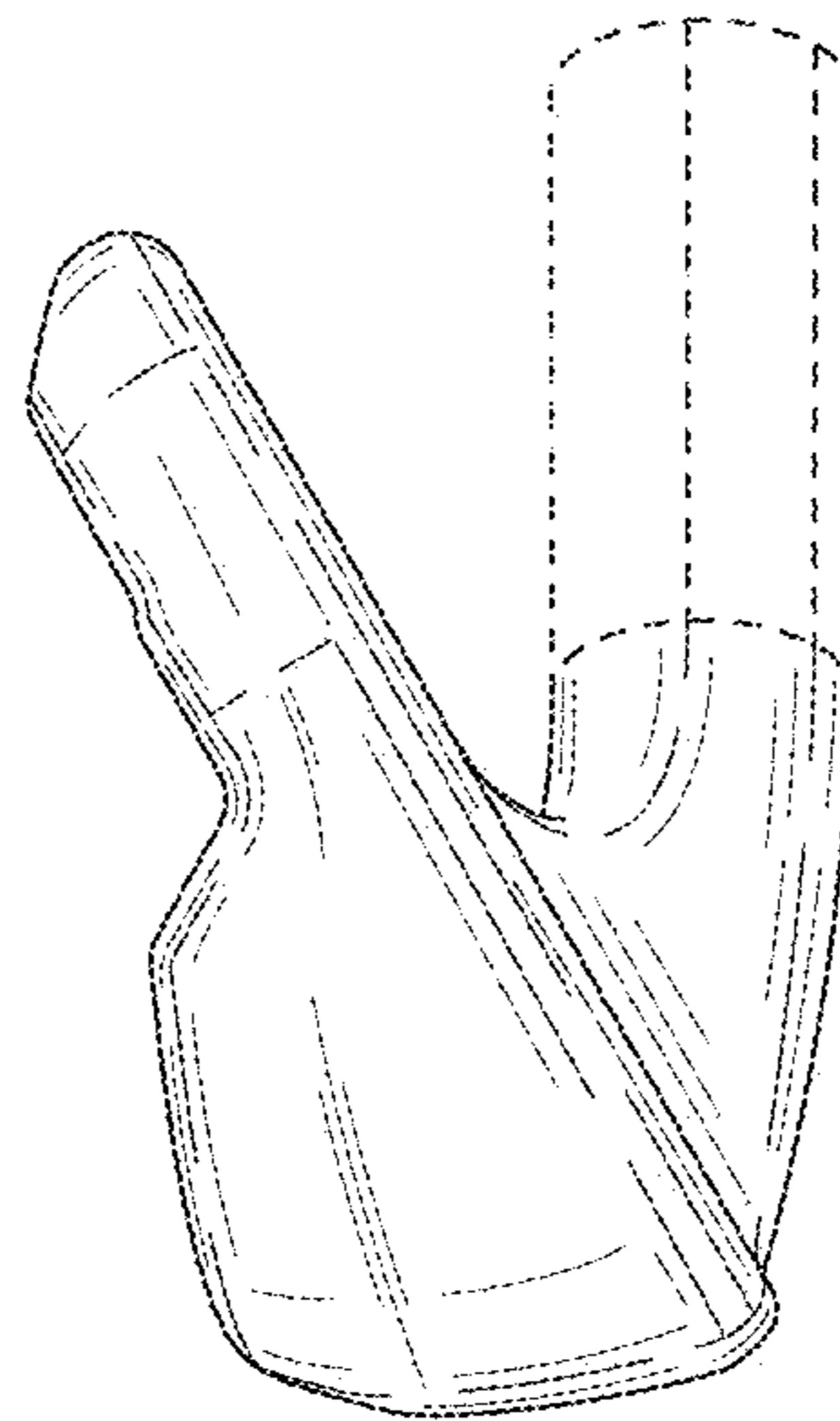


FIG. 8

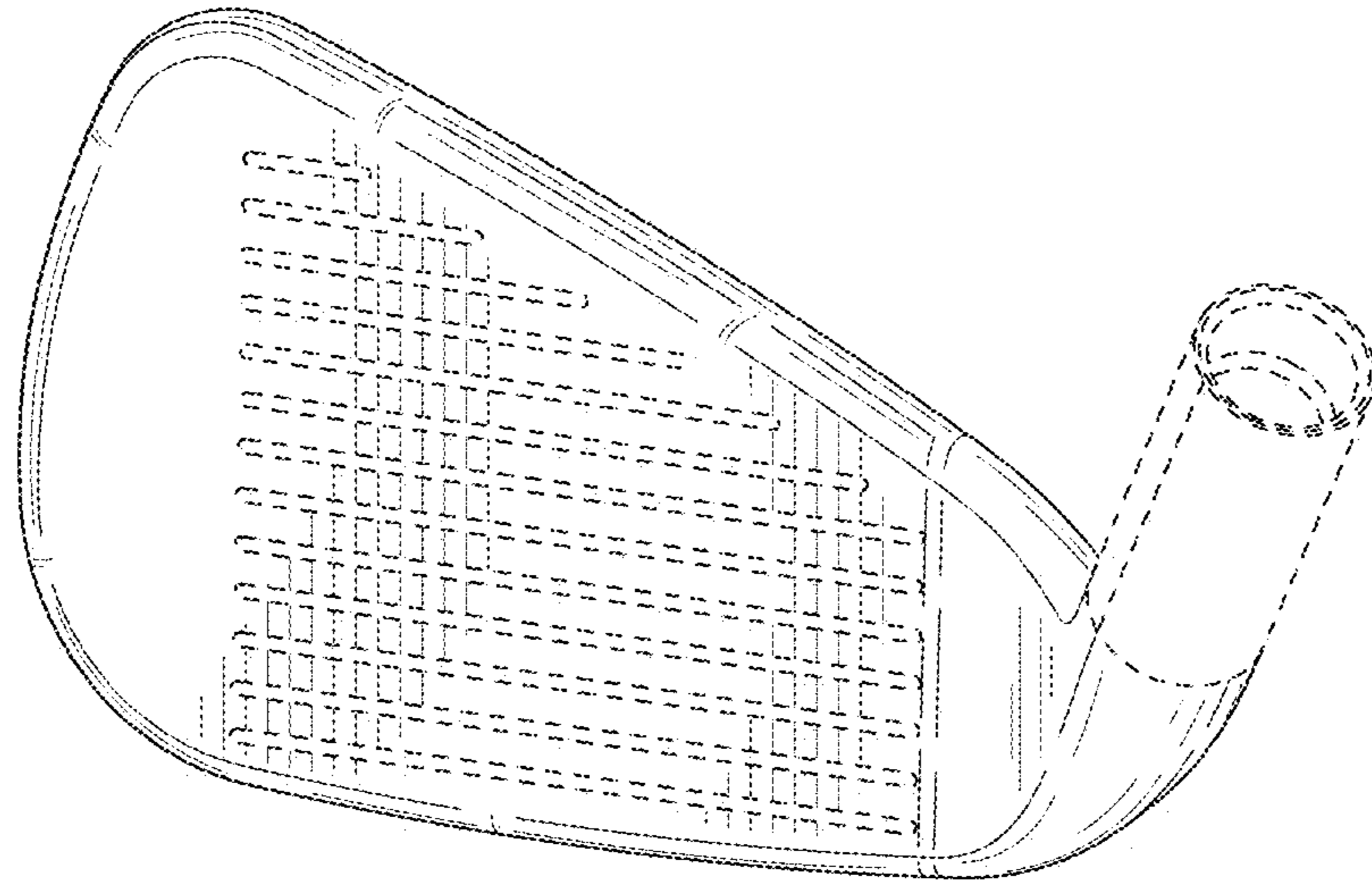


FIG. 9

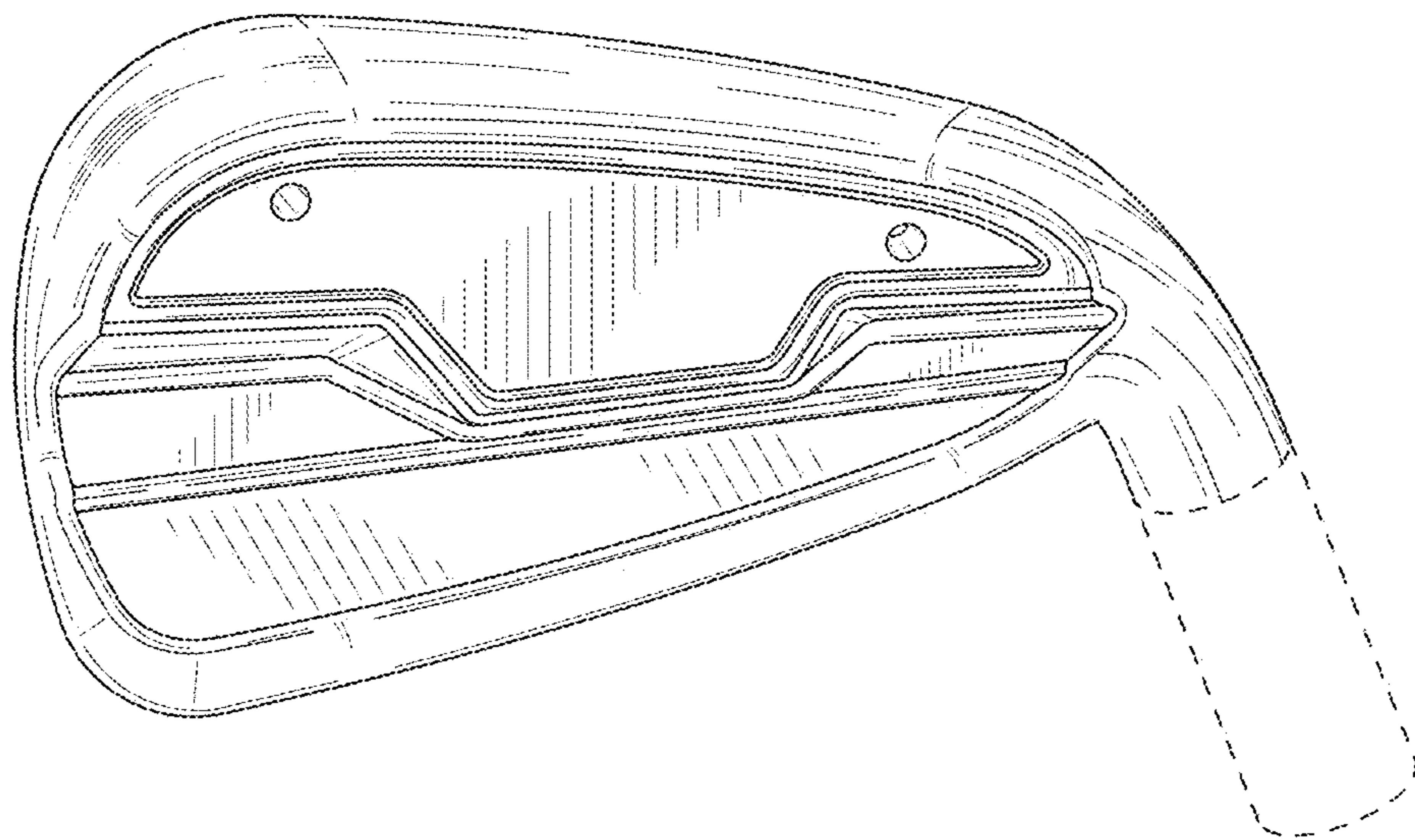


FIG. 10

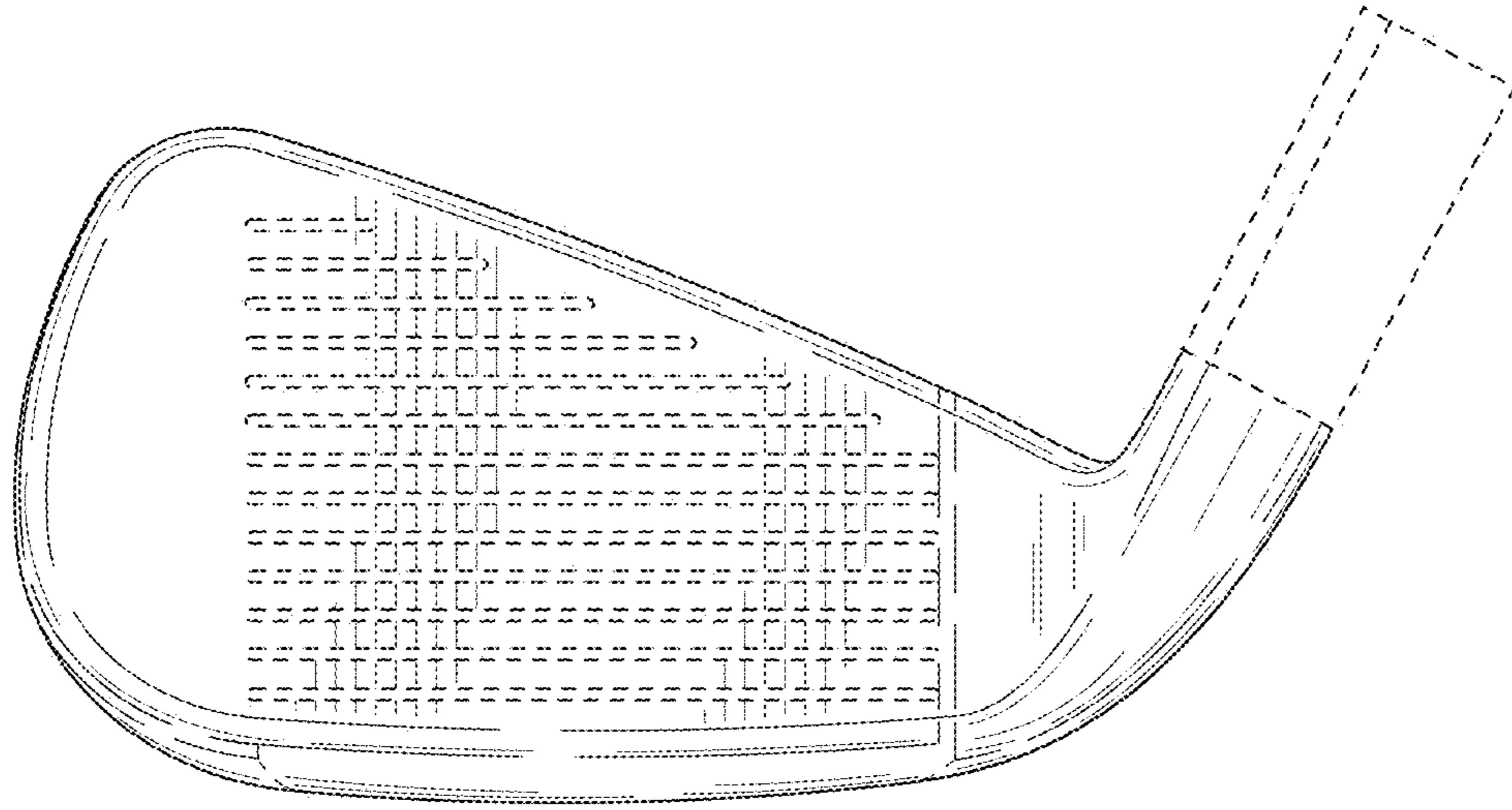


FIG. 11

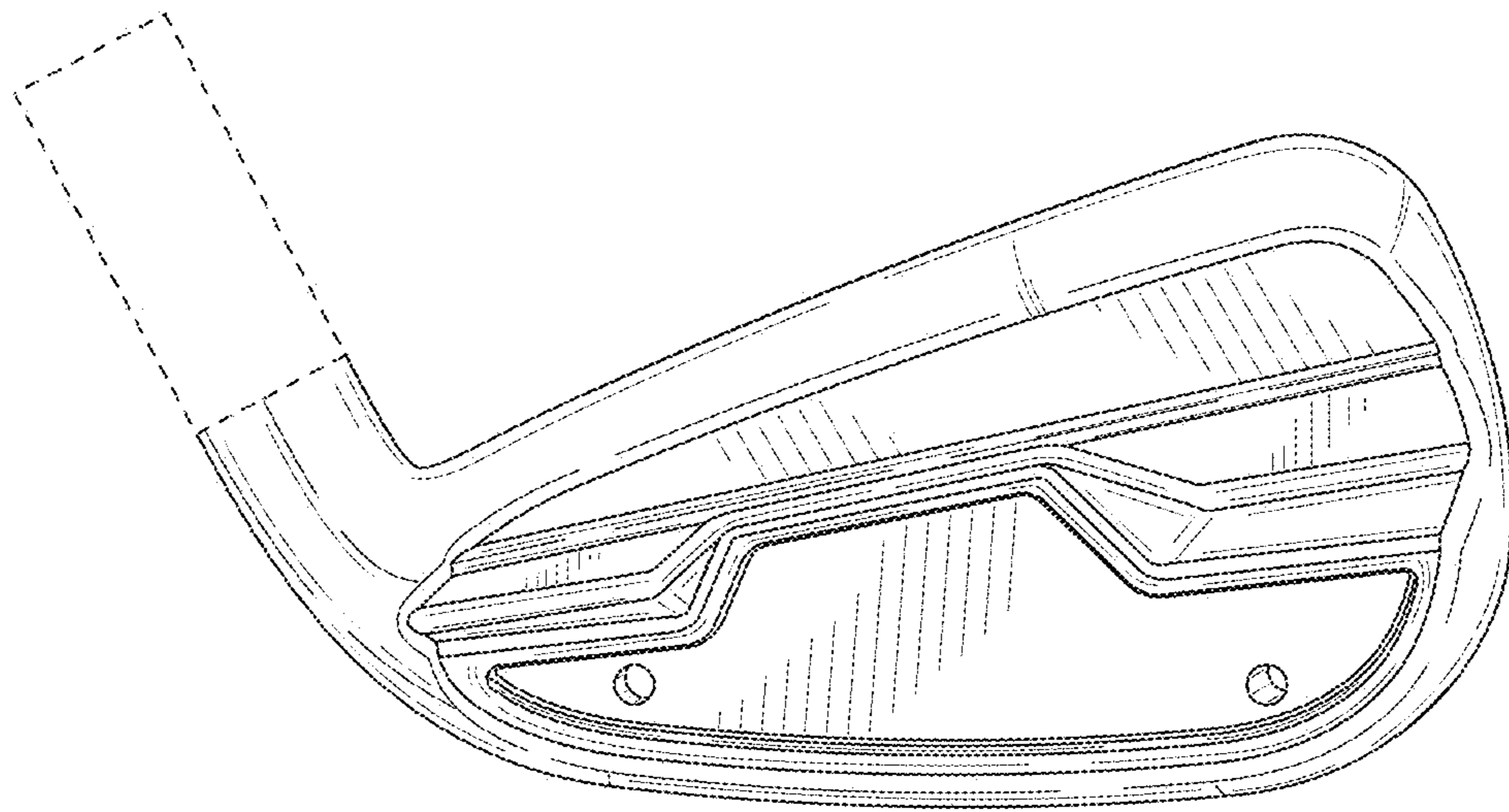


FIG. 12

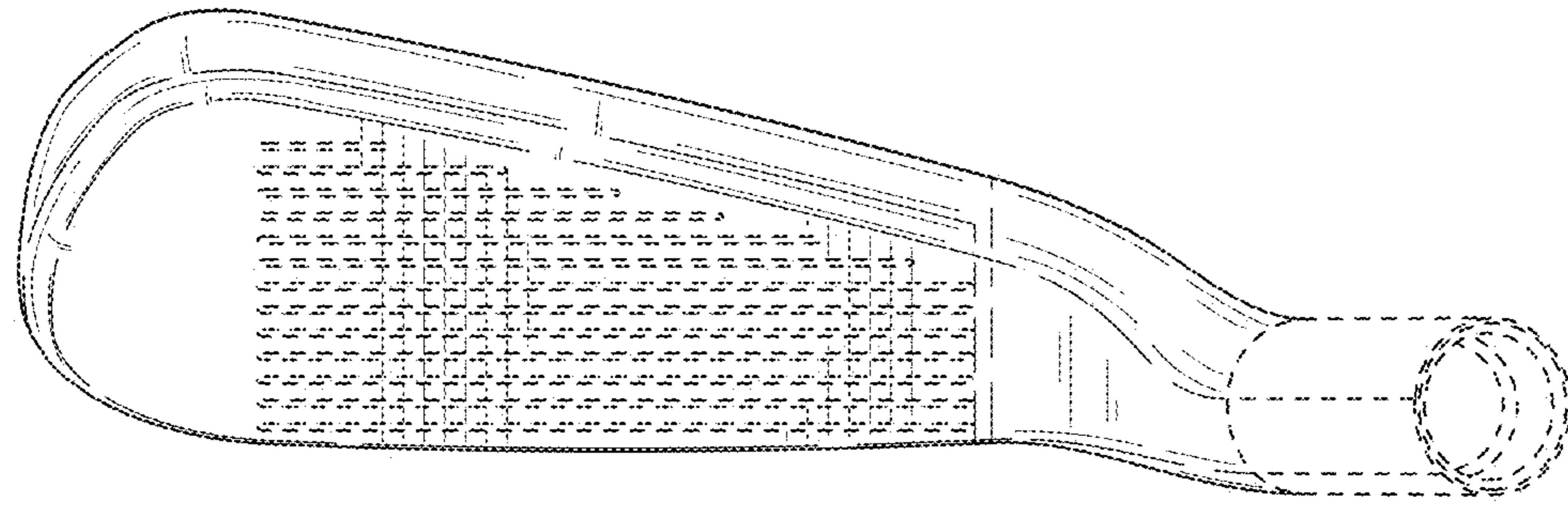


FIG. 13

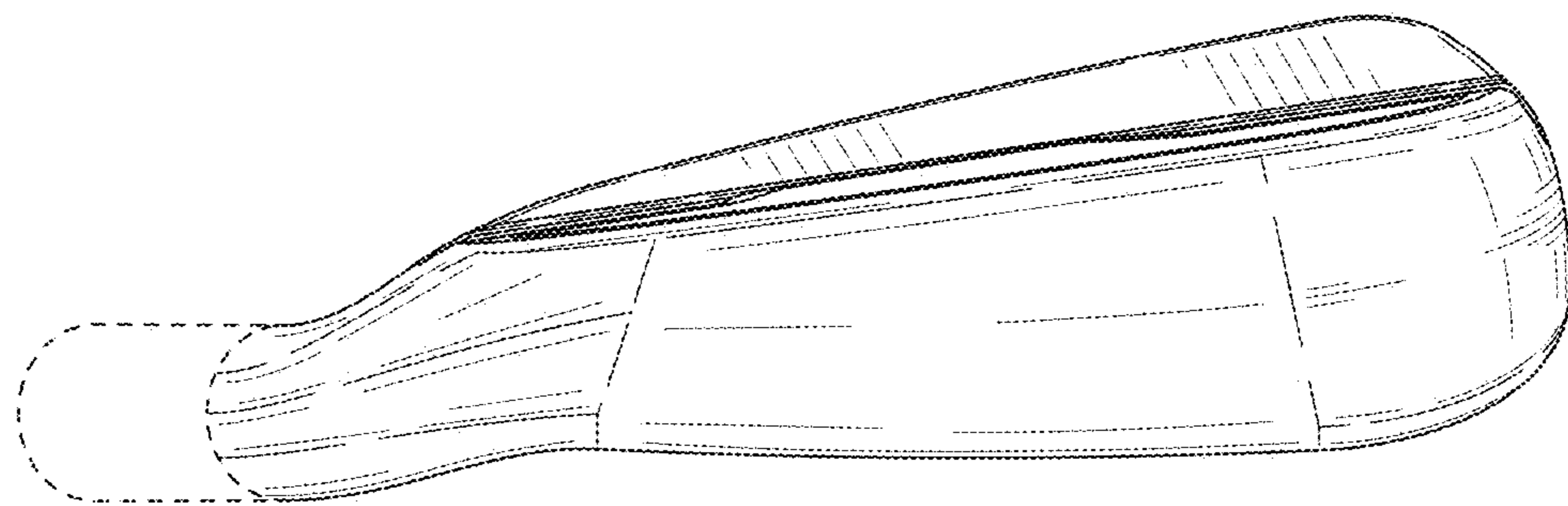


FIG. 14

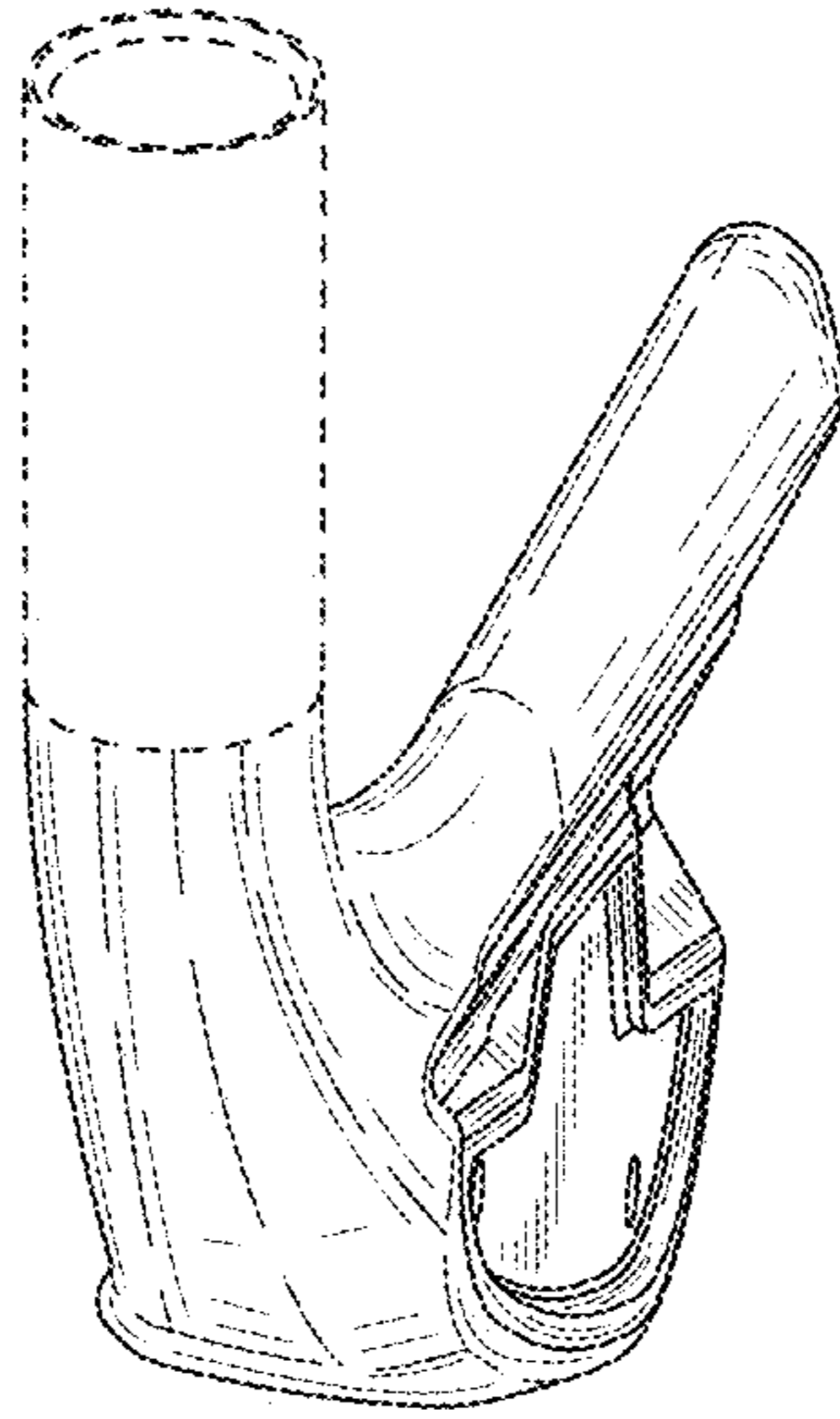


FIG. 15

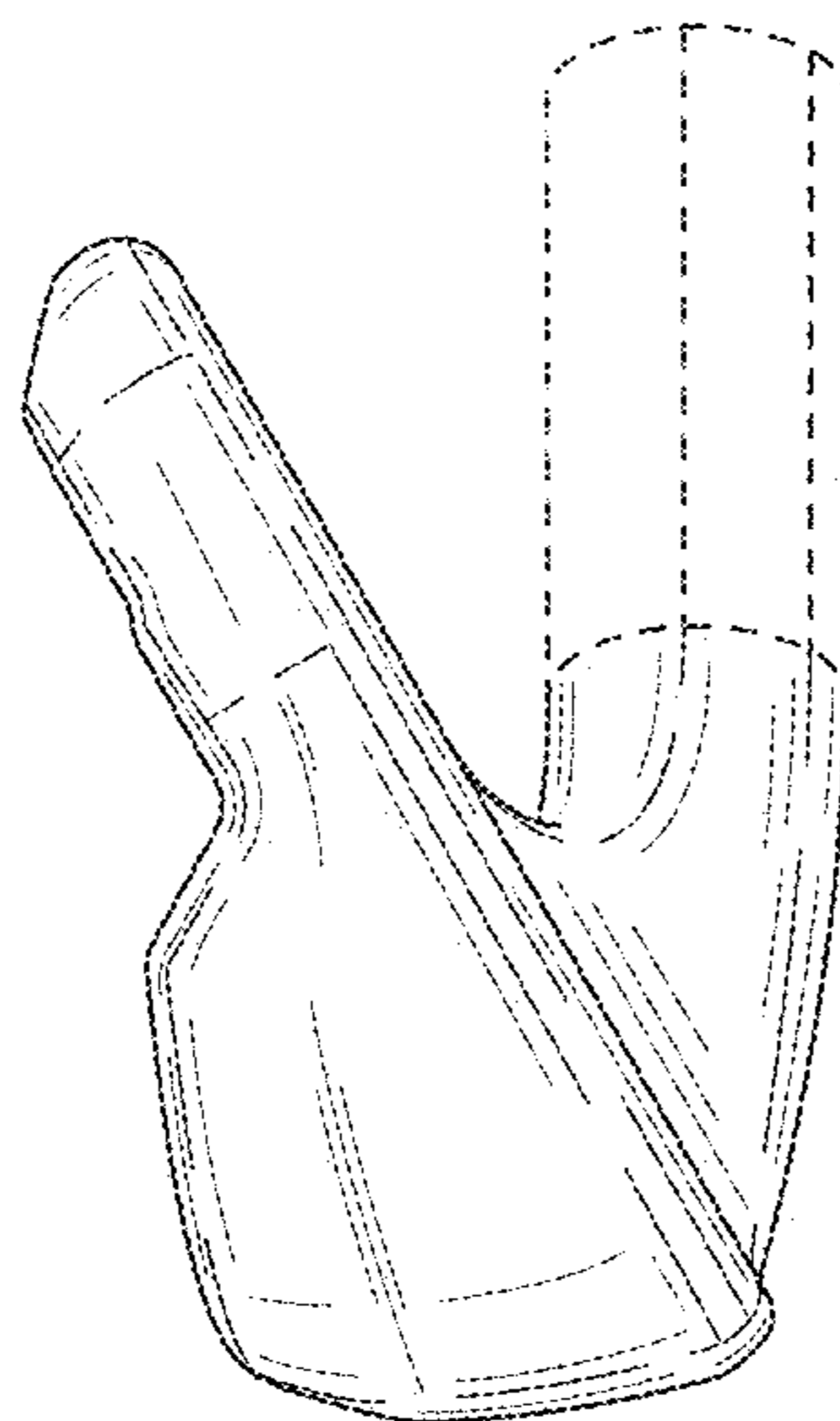


FIG. 16