



US00D938529S

(12) **United States Design Patent** (10) **Patent No.:** **US D938,529 S**  
**Wu** (45) **Date of Patent:** **\*\* Dec. 14, 2021**

(54) **SKIPPING ROPE HANDLE**

(71) Applicant: **Ruifeng Wu, Yuyao (CN)**

(72) Inventor: **Ruifeng Wu, Yuyao (CN)**

(\*\*) Term: **15 Years**

(21) Appl. No.: **29/719,203**

(22) Filed: **Jan. 2, 2020**

(30) **Foreign Application Priority Data**

Oct. 22, 2019 (CN) ..... 201930574911.9

(51) **LOC (13) Cl.** ..... **21-02**

(52) **U.S. Cl.**  
USPC ..... **D21/672**

(58) **Field of Classification Search**  
USPC ..... D21/672, 694, 682, 402, 400, 394, 482,  
D21/658, 807, 791, 683, 684; D30/151;  
D8/303; D22/147; D19/174, 184, 917  
See application file for complete search history.

(56) **References Cited**

**U.S. PATENT DOCUMENTS**

D52,489 S *	9/1918	Palmer	.....	D8/303
D405,342 S *	2/1999	Thompson	.....	D8/303
D416,577 S *	11/1999	Andrews	.....	D19/174
D623,225 S *	9/2010	Ryan	.....	D19/174
D637,884 S *	5/2011	Trotta	.....	D8/303
D648,204 S *	11/2011	Parvey	.....	D8/303
D651,647 S *	1/2012	Chu	.....	D19/177
D667,053 S *	9/2012	Bolton	.....	D19/184
D669,945 S *	10/2012	Russo	.....	D21/662
D696,736 S *	12/2013	Preston	.....	D21/680
D698,219 S *	1/2014	Lee	.....	D8/107
D804,591 S *	12/2017	Kuang	.....	D21/672
D829,835 S *	10/2018	Yu	.....	D21/672
D856,446 S *	8/2019	Yu	.....	D21/672
D887,491 S *	6/2020	Cardani	.....	D19/174
D919,016 S *	5/2021	Lin	.....	D21/672
2018/0126205 A1 *	5/2018	Rogers	.....	F16B 21/186

2018/0221703 A1 *	8/2018	Newman	.....	A63B 5/20
2021/0023413 A1 *	1/2021	Nurge	.....	A63B 21/065
2021/0154546 A1 *	5/2021	Sliepka	.....	A63B 21/4035

**OTHER PUBLICATIONS**

Sportein, announced 2019 [online], [site visited Sep. 14, 2021]. Available on internet, URL:https://www.amazon.com/Sportein-Adjustable-Weighted-Training-Skipping/dp/B07YJ57PKG/ref=pd\_di\_sccai\_31/142-9943449-1213202?pd\_rd\_w=uKffQ&pf\_rd\_p=c9443270-b914-4430-a90b-72e3e7e784e0&pf\_rd\_r=CSWMPDZRQCMEC4YHA0RG&pd\_rd\_r=ebb65d8b-c483-4b0e-9c00-cdde0180cc2b&pd\_rd\_wg=Eypqc&pd\_rd\_i=B07YJ57PKG&psc=1 (Year: 2019).\*

\* cited by examiner

*Primary Examiner* — Khawaja Anwar  
*Assistant Examiner* — Julice Seung Eun Oum

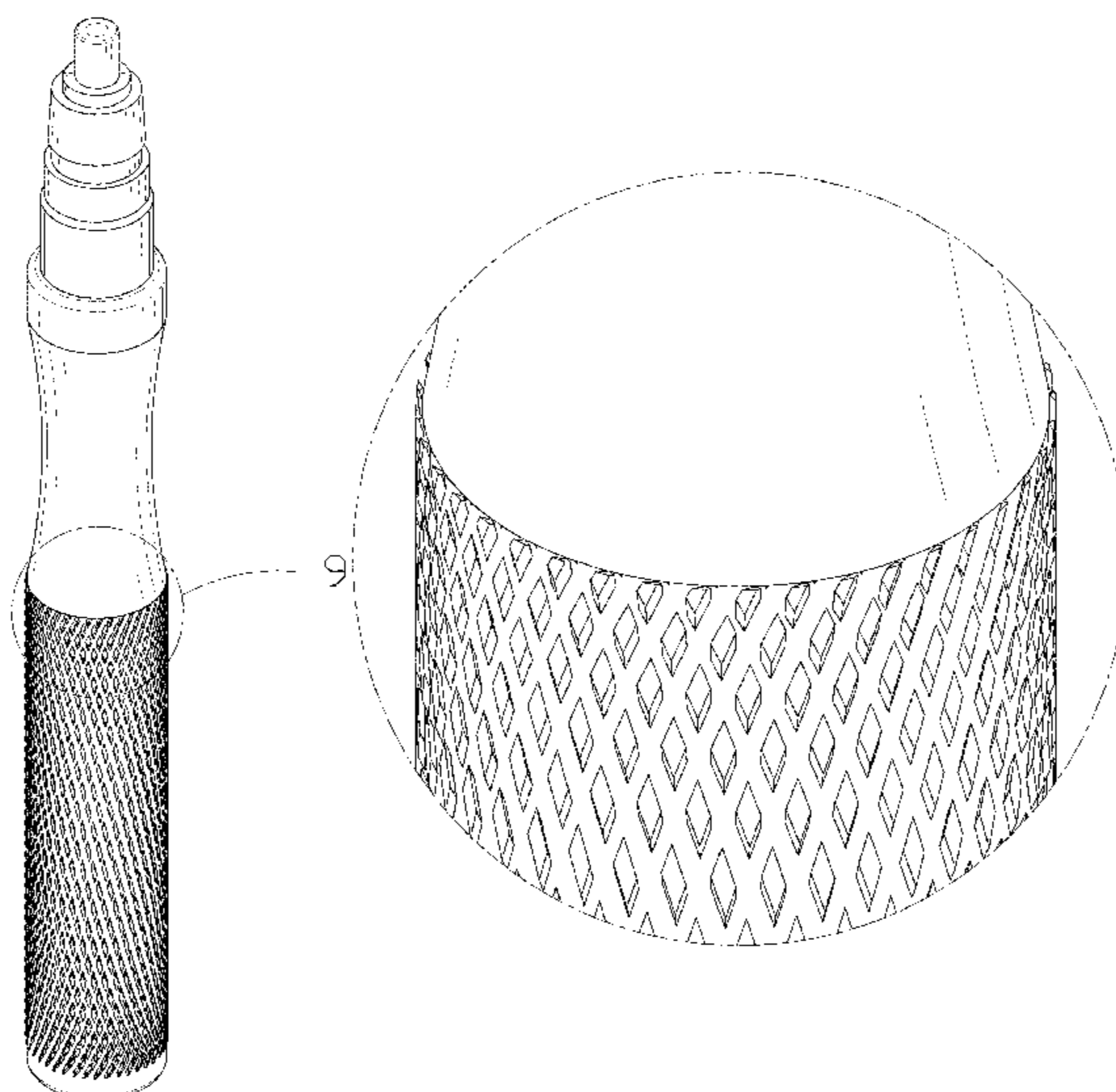
(57) **CLAIM**

The ornamental design for a skipping rope handle, as shown and described.

**DESCRIPTION**

FIG. 1 is a front and top perspective view of a skipping rope handle, showing my new design;  
FIG. 2 is a rear and bottom perspective view thereof;  
FIG. 3 is a front elevational view thereof;  
FIG. 4 is a rear elevational view thereof;  
FIG. 5 is a left side elevational view thereof;  
FIG. 6 is a right side elevational view thereof;  
FIG. 7 is a top plan view thereof;  
FIG. 8 is a bottom plan view thereof;  
FIG. 9 is an enlarged view of a portion indicated in FIG. 1; and,  
FIG. 10 is an enlarged view of a portion indicated in FIG. 2. The broken lines in the figures illustrate portions of the skipping rope handle that form no part of the claimed design. The dash dot dash lines in FIGS. 1, 2, 9 and 10 are for the purpose of depicting the cut line of the enlarged view and form no part of the claim.

**1 Claim, 10 Drawing Sheets**



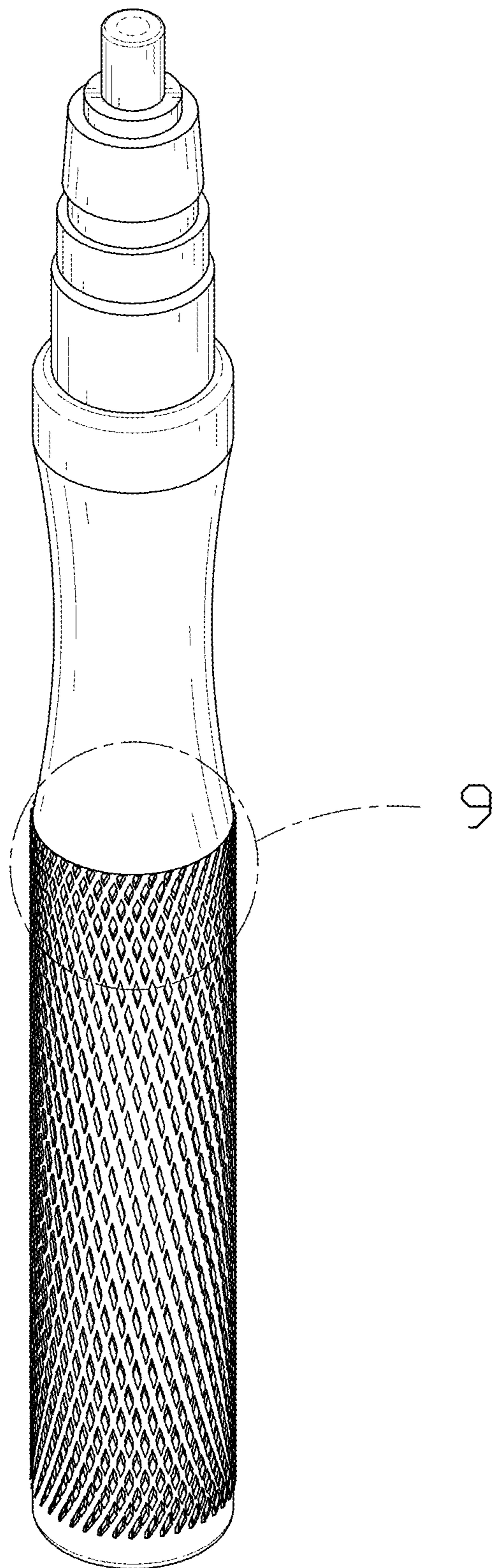


FIG. 1

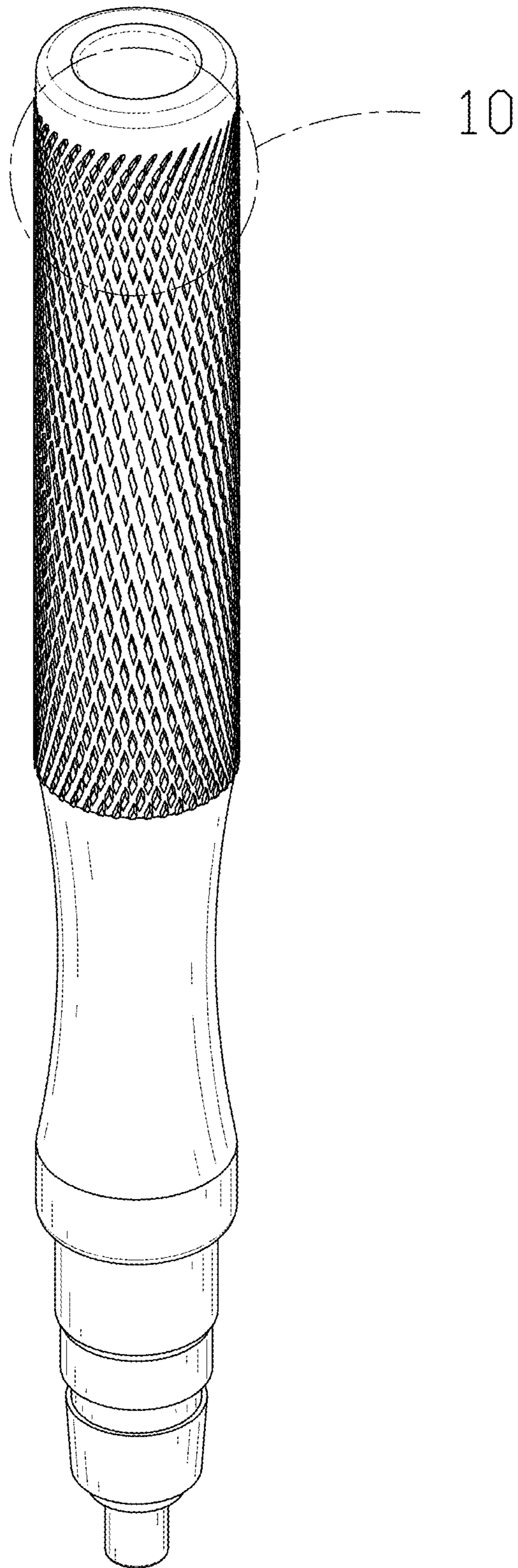


FIG. 2

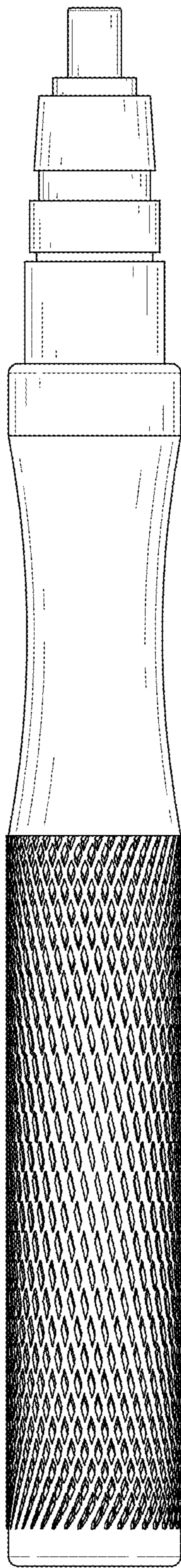


FIG. 3

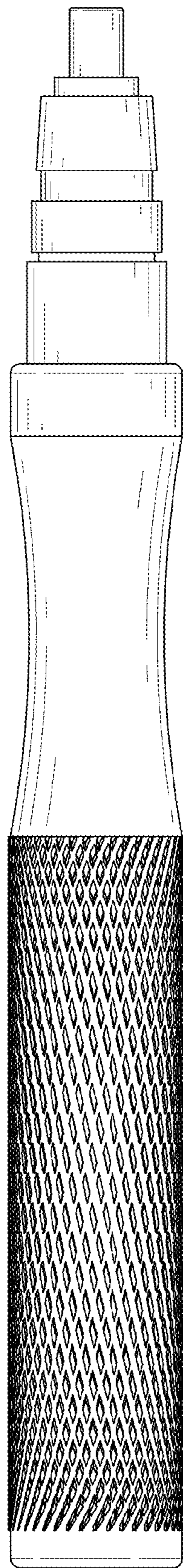


FIG. 4

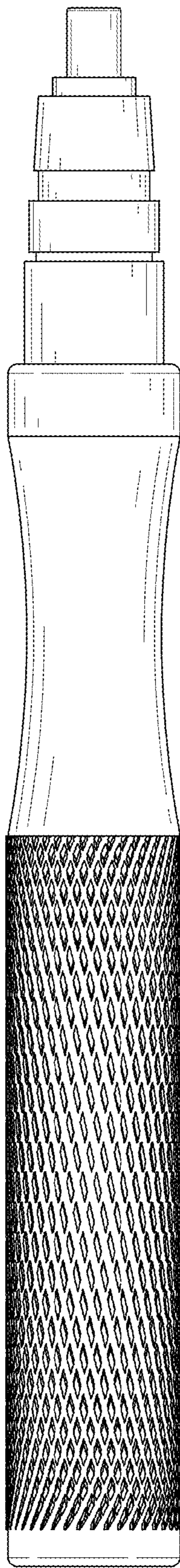


FIG. 5

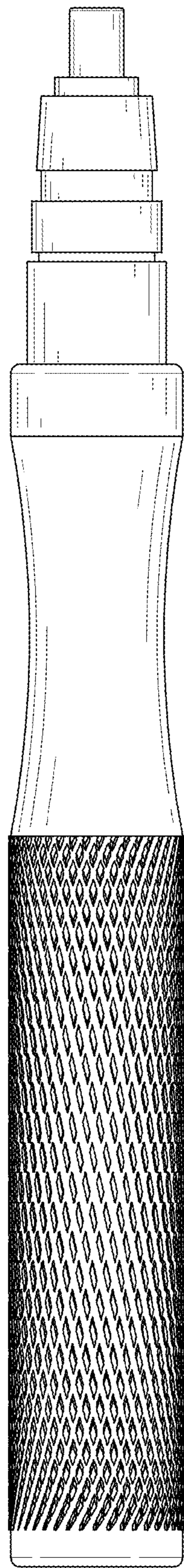


FIG. 6

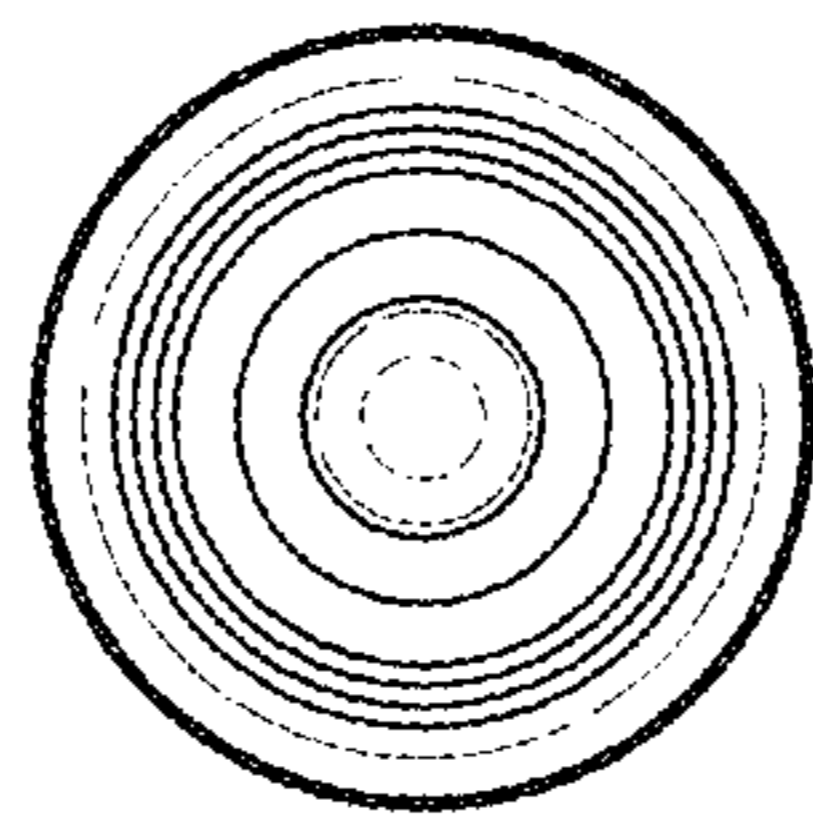


FIG. 7



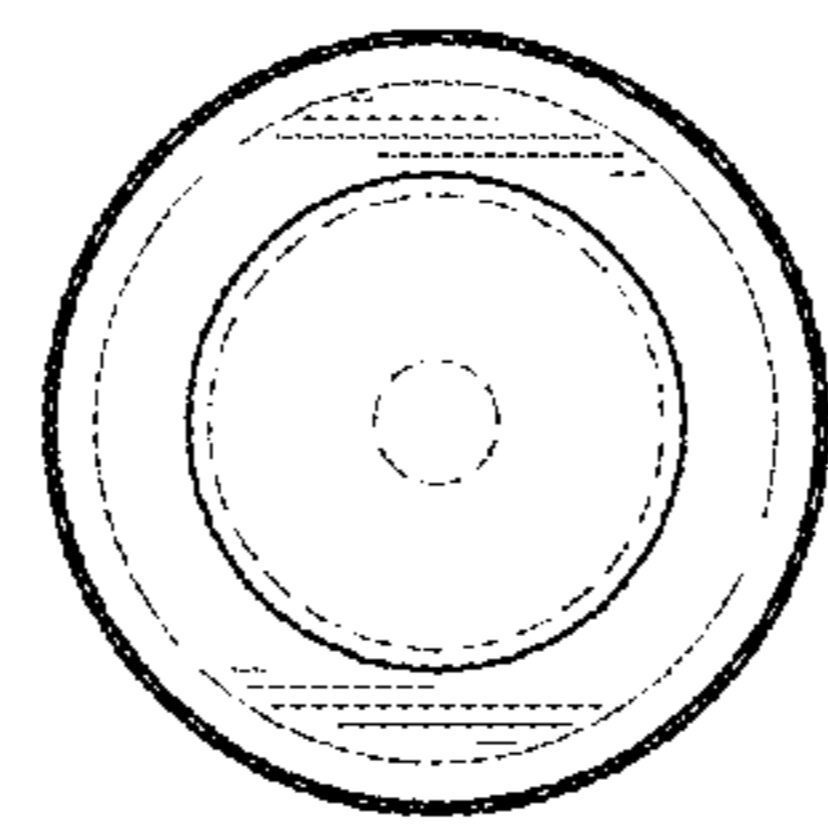


FIG. 8

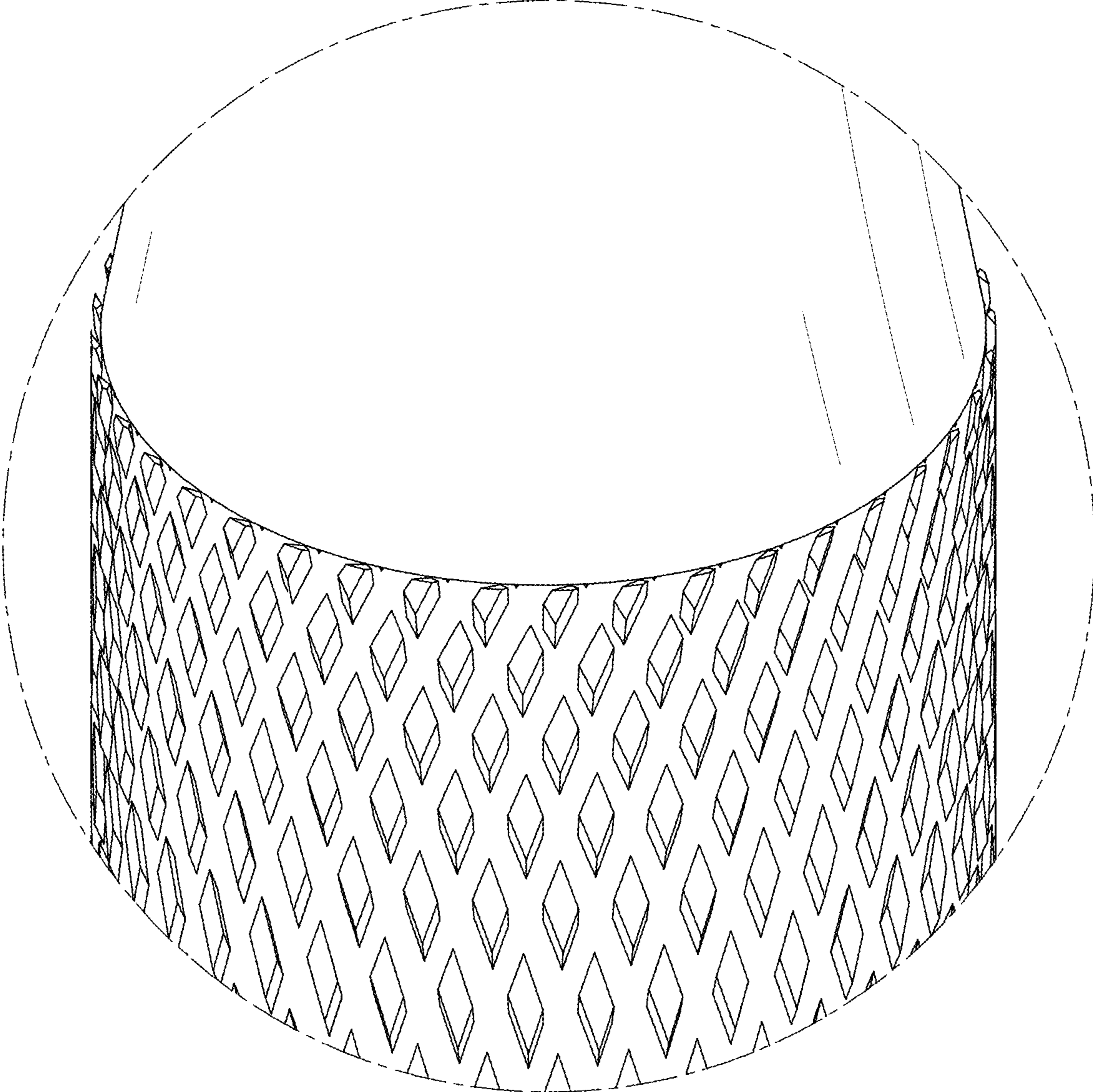


FIG. 9

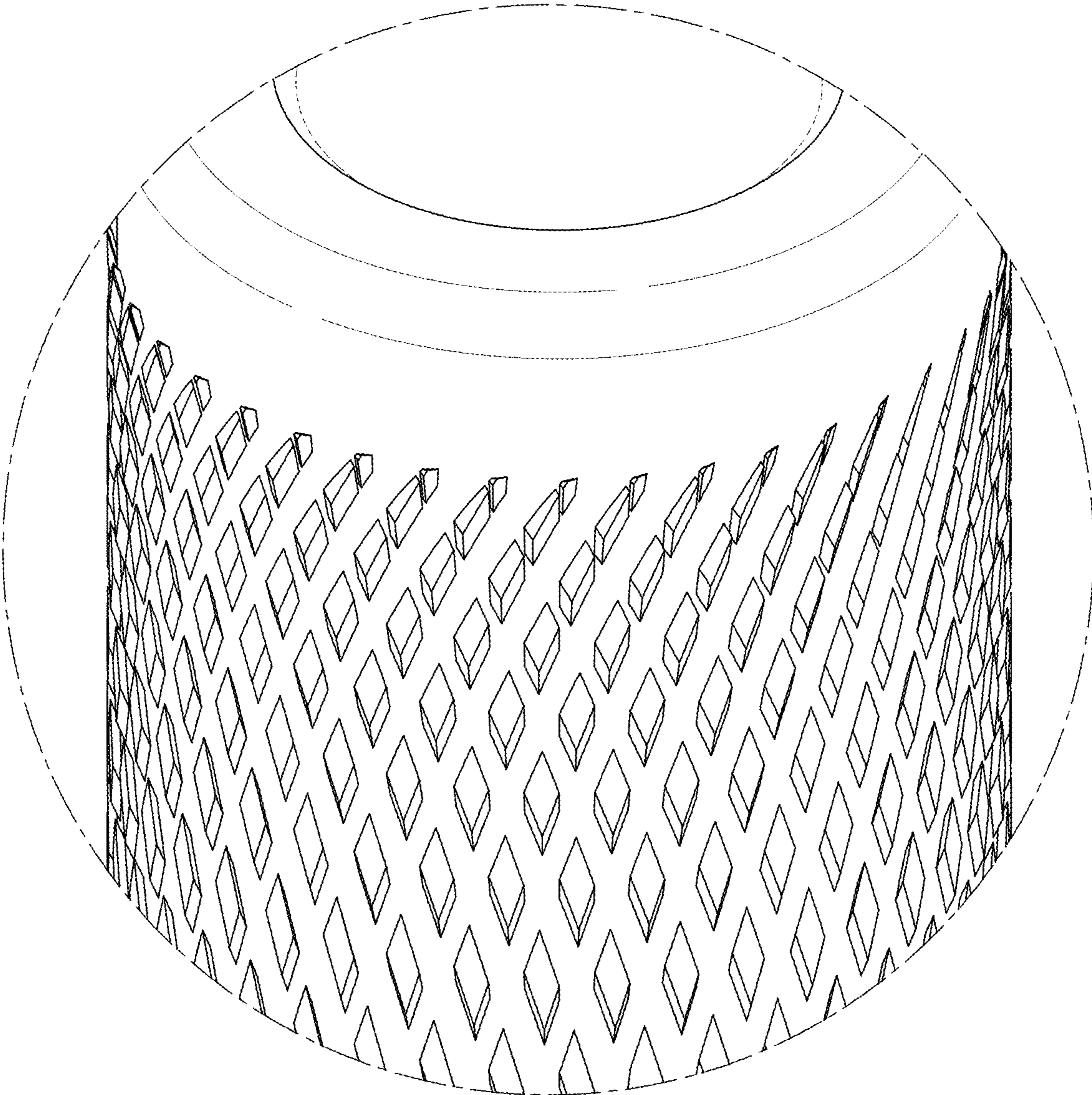


FIG. 10