



US00D938526S

(12) **United States Design Patent**  
**Zhang**

(10) **Patent No.:** **US D938,526 S**

(45) **Date of Patent:** **\*\* Dec. 14, 2021**

(54) **EDUCATIONAL TOY**

(71) Applicant: **Jiannong Zhang**, Shantou (CN)

(72) Inventor: **Jiannong Zhang**, Shantou (CN)

(\*\*) Term: **15 Years**

(21) Appl. No.: **29/763,952**

(22) Filed: **Dec. 27, 2020**

(51) **LOC (13) Cl.** ..... **21-01**

(52) **U.S. Cl.**

USPC ..... **D21/475**

(58) **Field of Classification Search**

USPC ..... D21/398, 405, 409, 468, 470, 471,  
D21/474-476, 499, 589, 300, 336, 337,  
D21/385, 455; D19/59, 60, 62, 64;  
D17/2, 22, 99; 434/258, 393, 403;  
473/71, 75, 81, 143, 227, 236, 242, 246,  
473/265, 397, 404, 408, 484, 487, 489,  
473/491; 446/71, 75, 81, 143, 227, 236,  
446/242, 246, 265, 397, 404, 408, 484,  
446/487, 489, 491

CPC ..... A63H 5/00; A63H 33/00; A63H 33/006;  
G09B 1/02; G09B 1/36; G09B 1/042;  
G09B 1/26; G09B 5/06; G09B 19/00

See application file for complete search history.

(56) **References Cited**

**U.S. PATENT DOCUMENTS**

- 3,225,460 A \* 12/1965 Randell ..... A63F 9/24  
434/236
- D223,847 S \* 6/1972 Laughlin ..... D21/470
- 4,149,717 A \* 4/1979 Seijiro ..... A63F 9/12  
273/157 R
- D251,993 S \* 5/1979 Birdsall ..... D21/405
- D262,549 S \* 1/1982 Clanton ..... D21/475
- D280,649 S \* 9/1985 Iwabuchi ..... D21/475
- D281,516 S \* 11/1985 Wong ..... D21/476

- D296,451 S \* 6/1988 Ming ..... D21/470
- D298,598 S \* 11/1988 Ellman ..... D21/475
- D302,187 S \* 7/1989 Kato ..... D21/475

(Continued)

**FOREIGN PATENT DOCUMENTS**

- CA 2450298 A1 \* 1/2003 ..... A63H 33/00
- CA 2431088 A1 \* 11/2004 ..... A63H 33/042

(Continued)

**OTHER PUBLICATIONS**

VTECH Baby Sort & Discover Activity Cube\_ Amazon.ca\_ Toys & Games shown on webpage: <<https://www.amazon.co.uk/Vtech-COS263656-Discover-Activity-Multi/dp/>> Product availability date: Sep. 13, 2018 [Accessed Apr. 18, 2021] (Year: 2021).\*

(Continued)

*Primary Examiner* — Catherine A Tuttle

(57)

**CLAIM**

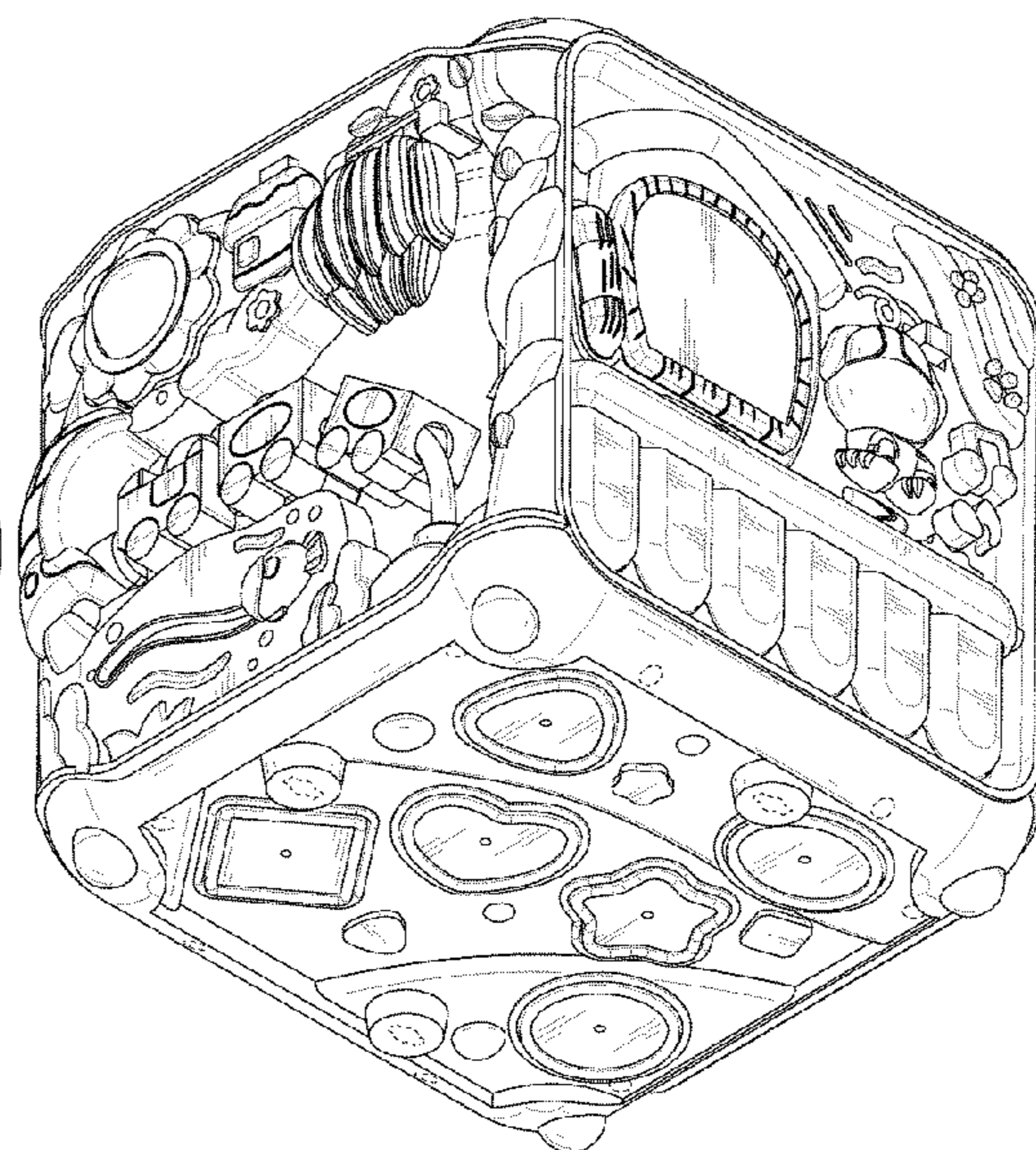
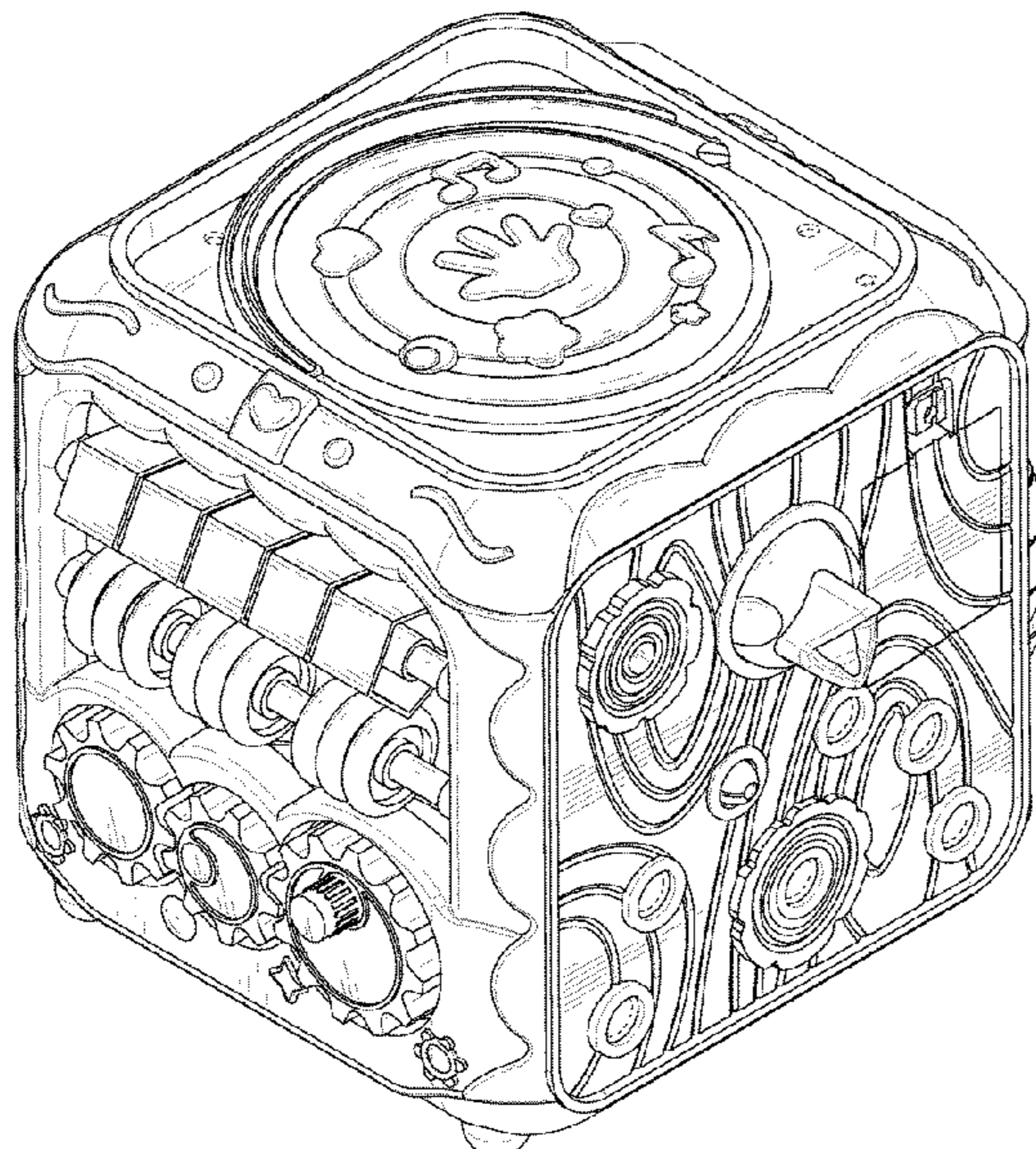
The ornamental design for an educational toy, as shown and described.

**DESCRIPTION**

FIG. 1 is a top, left and front perspective view of an educational toy showing my new design;  
FIG. 2 is a bottom, right and rear perspective view thereof;  
FIG. 3 is a front elevational view thereof;  
FIG. 4 is a rear elevational view thereof;  
FIG. 5 is a left side elevational view thereof;  
FIG. 6 is a right side elevational view thereof;  
FIG. 7 is a top plan view thereof; and,  
FIG. 8 is a bottom plan view thereof.

The broken lines in the drawings depict portions of the educational toy that form no part of the claimed design. The appearance within the unshaded and recessed or interior regions not visible in profile forms no part of the claimed design.

**1 Claim, 8 Drawing Sheets**



(56)

References Cited

U.S. PATENT DOCUMENTS

5,292,276	A *	3/1994	Manalo	.....	G09B 19/00	434/258
5,454,745	A *	10/1995	Spielberger	.....	A63H 33/00	446/227
D376,393	S *	12/1996	Stroud	.....	D21/476	
D391,999	S *	3/1998	Chininis	.....	D21/475	
D433,465	S *	11/2000	Dunn	.....	D21/516	
D446,826	S *	8/2001	Dunn	.....	D21/398	
D451,970	S *	12/2001	Chan	.....	D21/475	
D829,828	S *	10/2018	McLachlan	.....	D21/468	
D875,184	S *	2/2020	Zeng	.....	D21/475	
2006/0093995	A1 *	5/2006	Brown	.....	G09B 5/06	434/171

FOREIGN PATENT DOCUMENTS

CA		2826497	A1 *	11/2013	.....	A63H 3/52
CN		302468969	*	6/2013		
CN		304228961	*	8/2017		
CN		305333117	*	9/2019		
CN		305367530	*	9/2019		
CN		305576071	*	1/2020		
CN		305699008	*	4/2020		
WO		WO-2016155356	A1 *	10/2016	.....	A63F 7/3622

OTHER PUBLICATIONS

Kanzd Early Musical Learning Puzzle Cube shown on webpage: <<https://www.amazon.com/Kanzd-Educational-Tambourine-Hexahedral-Toy/dp/B0834J9L1S?th=1>> Product availability date: Dec. 25, 2019 [Accessed: Apr. 18, 2021] (Year: 2021).\*

Cute Stone Baby Activity Cube shown on webpage: <<https://www.amazon.com/CUTE-STONE-Activity-Multi-Functional-Educational/dp/B08CXFYZ5H>> [Accessed on Apr. 18, 2021] (Year: 2021).\*

Cute Stone Activity Cube-product reviews on webpage: <[https://www.amazon.com/CUTE-STONE-Activity-Multi-Functional-Educational/product-reviews/B08CXFYZ5H/ref=cm\\_cr\\_dp\\_d\\_show\\_all\\_btm?ie=UTF8&reviewerType=all\\_reviews](https://www.amazon.com/CUTE-STONE-Activity-Multi-Functional-Educational/product-reviews/B08CXFYZ5H/ref=cm_cr_dp_d_show_all_btm?ie=UTF8&reviewerType=all_reviews)> Various dates as early as Sep. 26, 2020 [Accessed Apr. 19, 2021] (Year: 2021).\*

GoAppuGo Musical Learning Activity Cube shown on webpage: Shown on webpage: <<https://www.amazon.in/GoAppuGo-Musical-Learning-Activity-Shapes/dp/B07HC84PHN>> Product availability date: Dec. 31, 2018 [Accessed Apr. 19, 2021] (Year: 2021).\*

Winfun Musical Activity Cube featured in YouTube vi/deo at: <<https://www.youtube.com/watch?v=V0UJ0Tm7bx4>>. Published Jul. 22, 2019 [Accessed Apr. 18, 2021] Screen shots at: :00, 1:31, 1:50, 1:51, 1:54, 1:57 & 1:59. (Year: 2019).\*

Good Customer review with images and video on webpage: <[https://www.amazon.com/gp/customer-reviews/R1JDJXRH5GBMG6/ref=cm\\_cr\\_dp\\_d\\_rvw\\_ttl?ie=UTF8&ASIN=B08CXFYZ5H](https://www.amazon.com/gp/customer-reviews/R1JDJXRH5GBMG6/ref=cm_cr_dp_d_rvw_ttl?ie=UTF8&ASIN=B08CXFYZ5H)> Posted: Sep. 30, 2020 [Accessed on Apr. 20, 2021] (Year: 2020).\*

Very fun cube! Keep you little one busy! Customer review with images on webpage: <[https://www.amazon.com/gp/customer-reviews/RQT3RVW2JM0H0/ref=cm\\_cr\\_dp\\_d\\_rvw\\_ttl?ie=UTF8&ASIN=B08CXFYZ5H](https://www.amazon.com/gp/customer-reviews/RQT3RVW2JM0H0/ref=cm_cr_dp_d_rvw_ttl?ie=UTF8&ASIN=B08CXFYZ5H)> Posted Sep. 30, 2020 [Accessed Apr. 20, 2021] (Year: 2020).\*

“Top Bright Activity Cube Toys Baby Wooden Bead Maze Shape Sorter 7-in-1 Toys for 1 Year Old Boy and Girl Toddlers Gift”, Retrieved Dec. 24, 2020]. Retrieved from internet, <https://www.amazon.com/dp/B07GDDKJ4B/ref>.

“Top Bright Wooden Activity Cube Toys for 1 2 Year Old Girl Boy, One Year Old First Birthday Gift Ideas, Wooden Toy with Bead Maze Shape Sorter”, Retrieved Dec. 24, 2020]. Retrieved from Internet, <https://www.amazon.com/TOP-BRIGHT-Wooden-Activity-Birthday/dp/B0853132HF/ref>.

\* cited by examiner

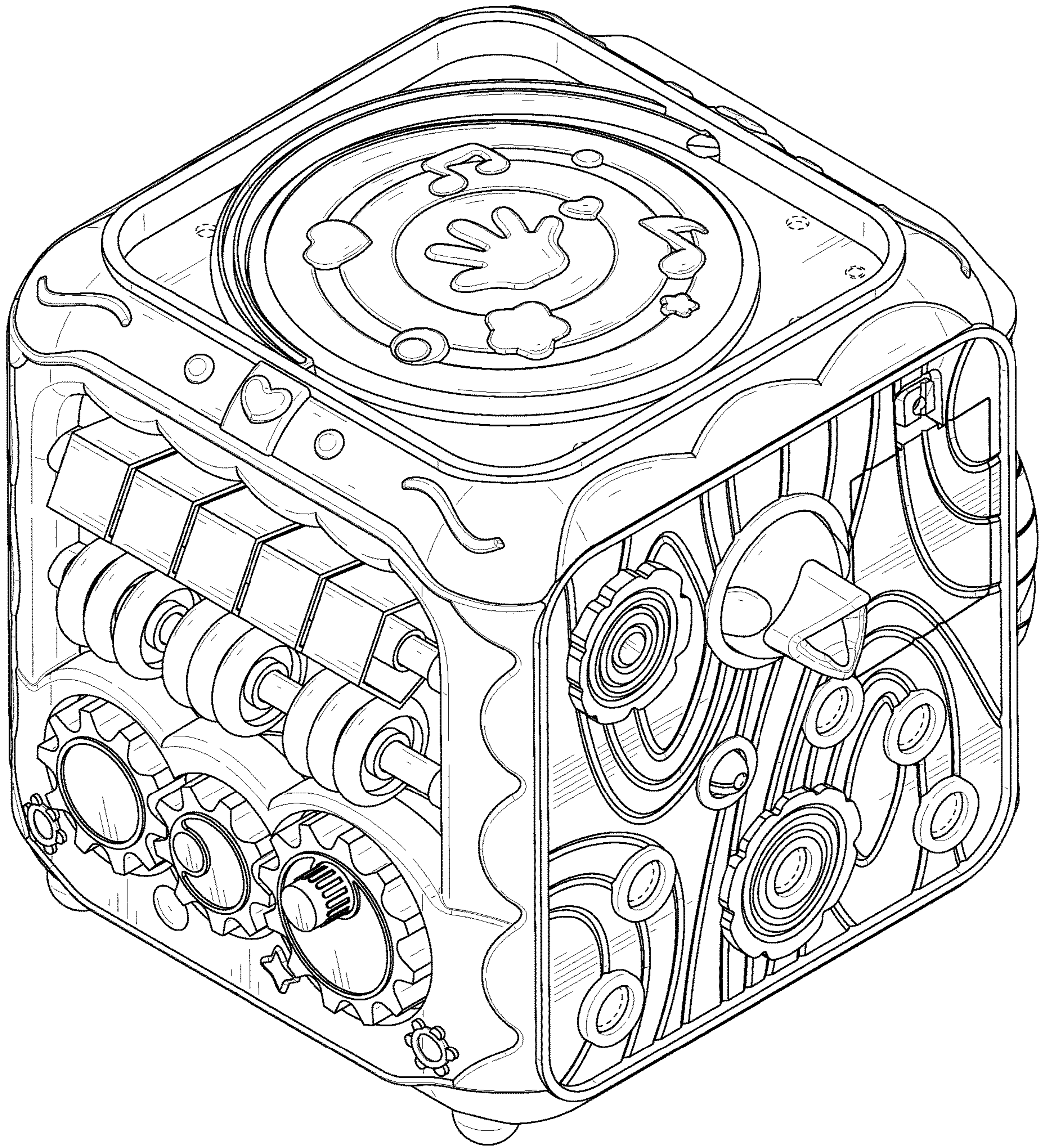


FIG. 1

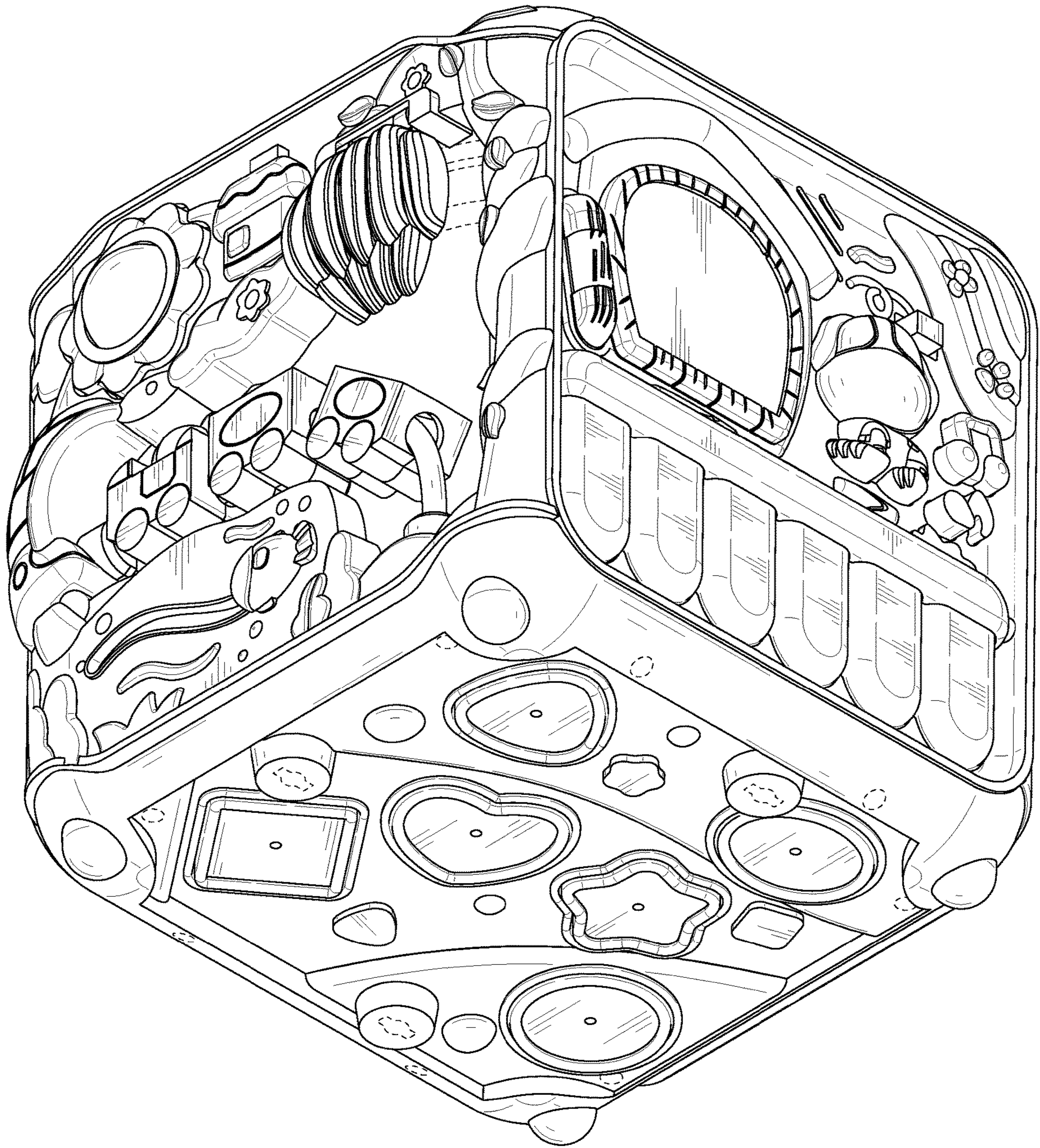


FIG. 2

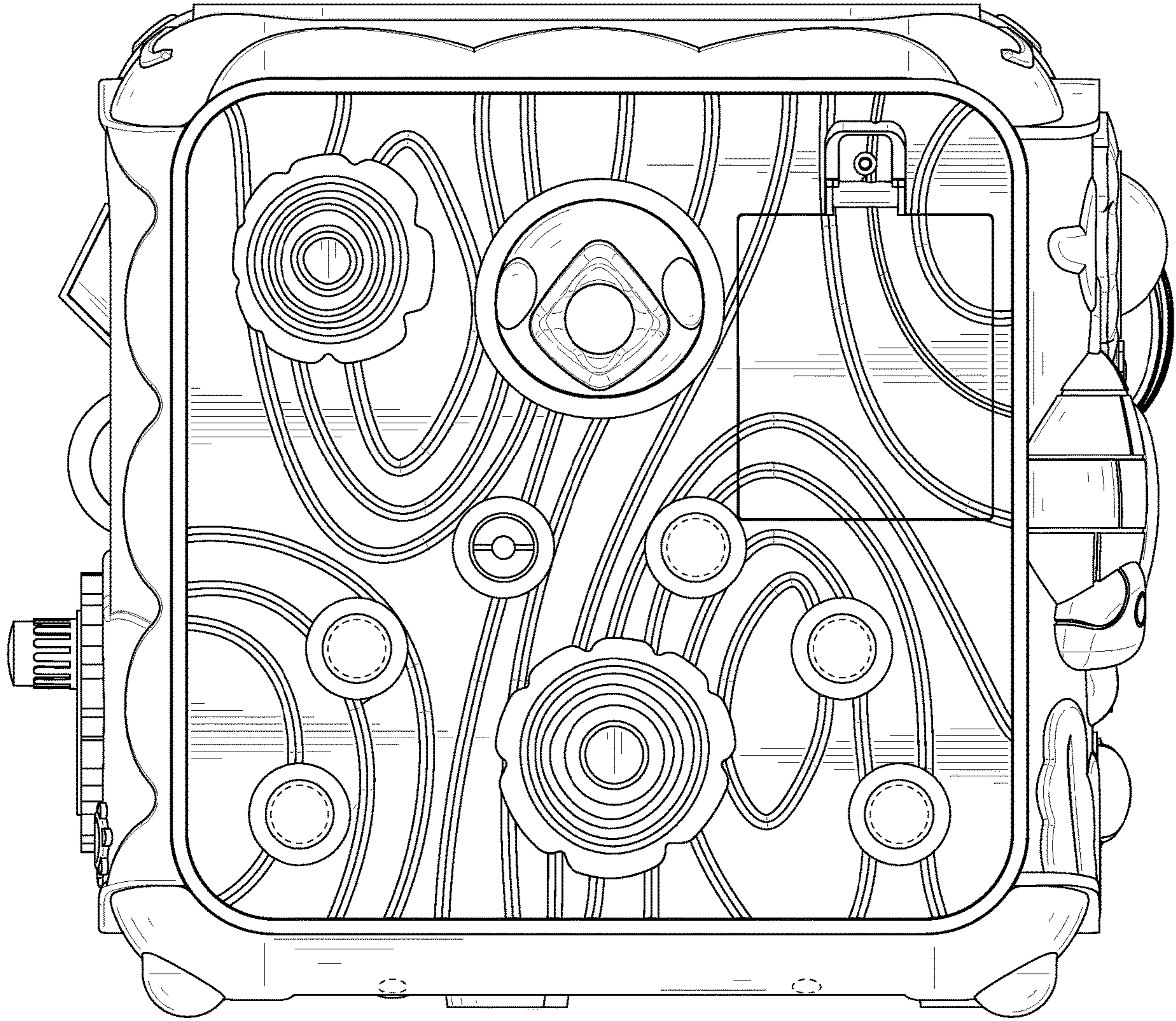


FIG. 3

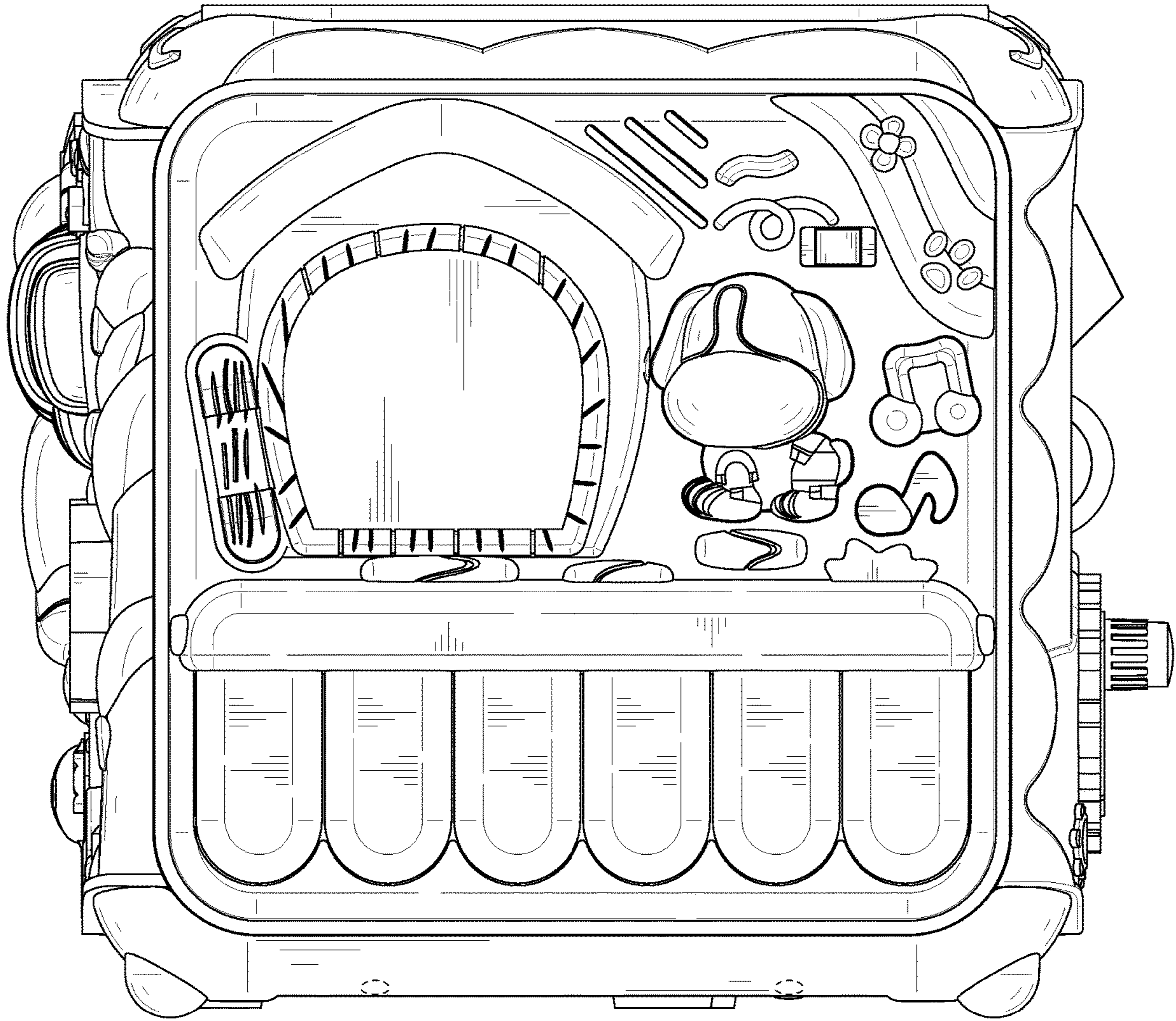


FIG. 4

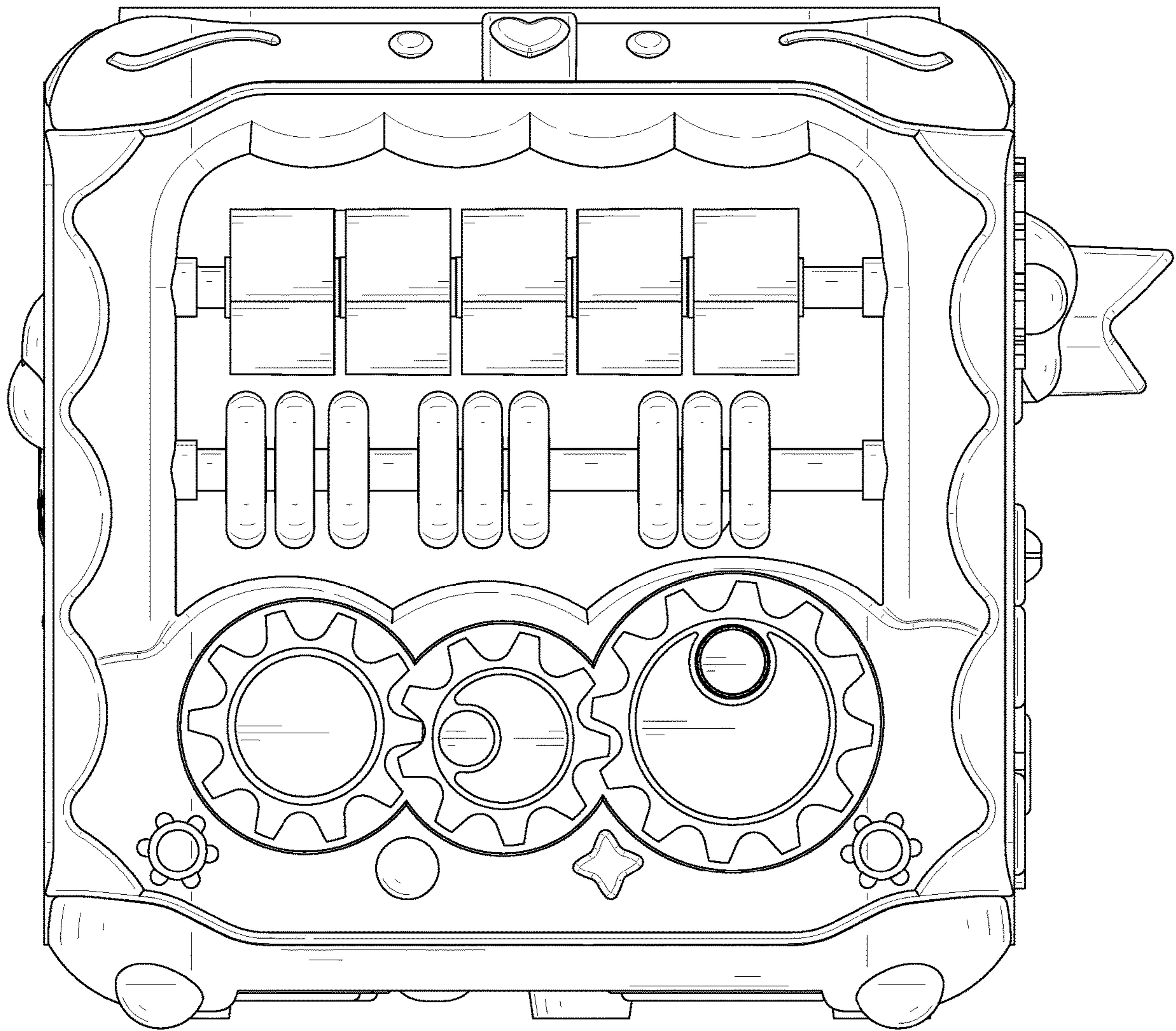


FIG. 5

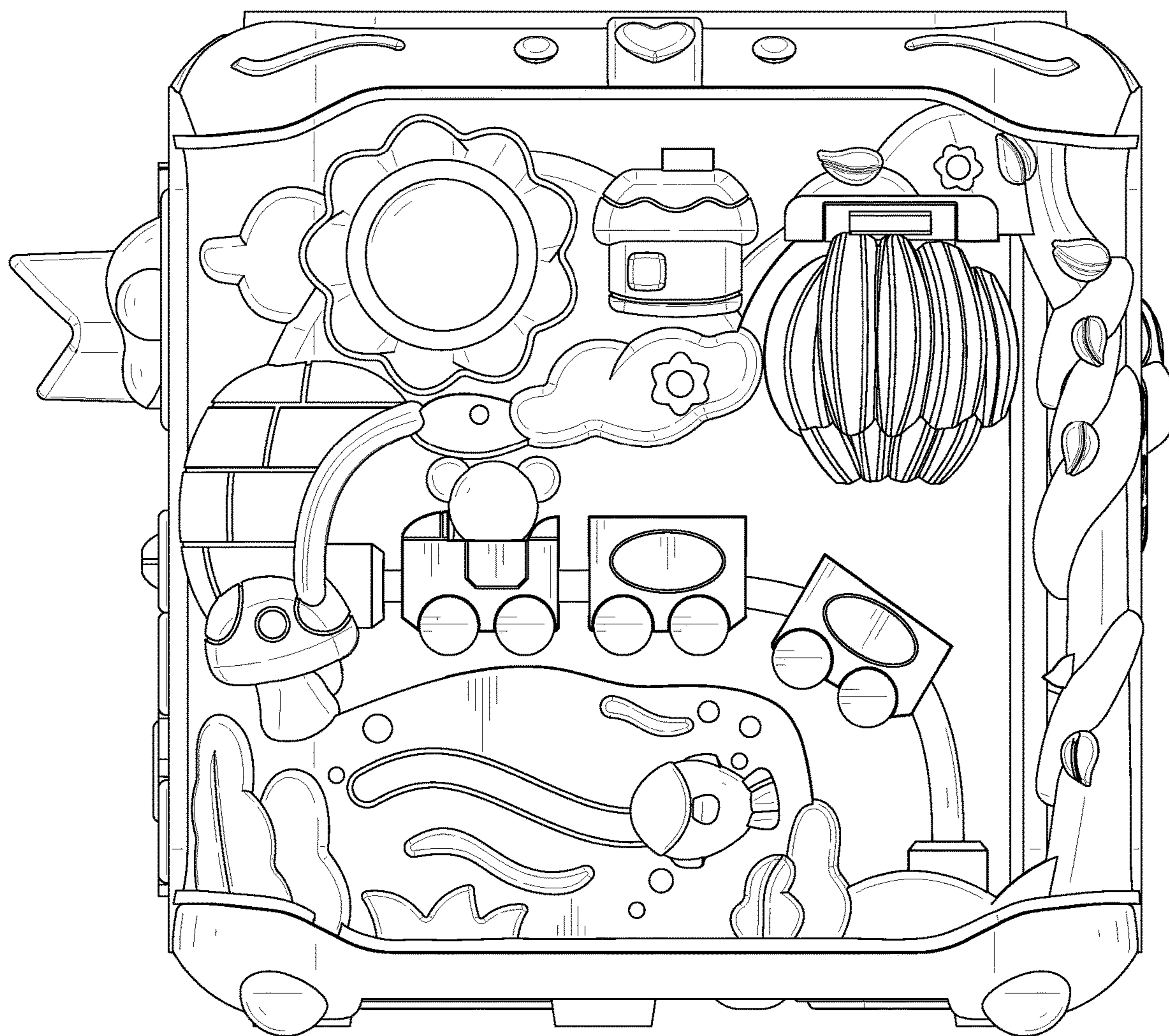


FIG. 6



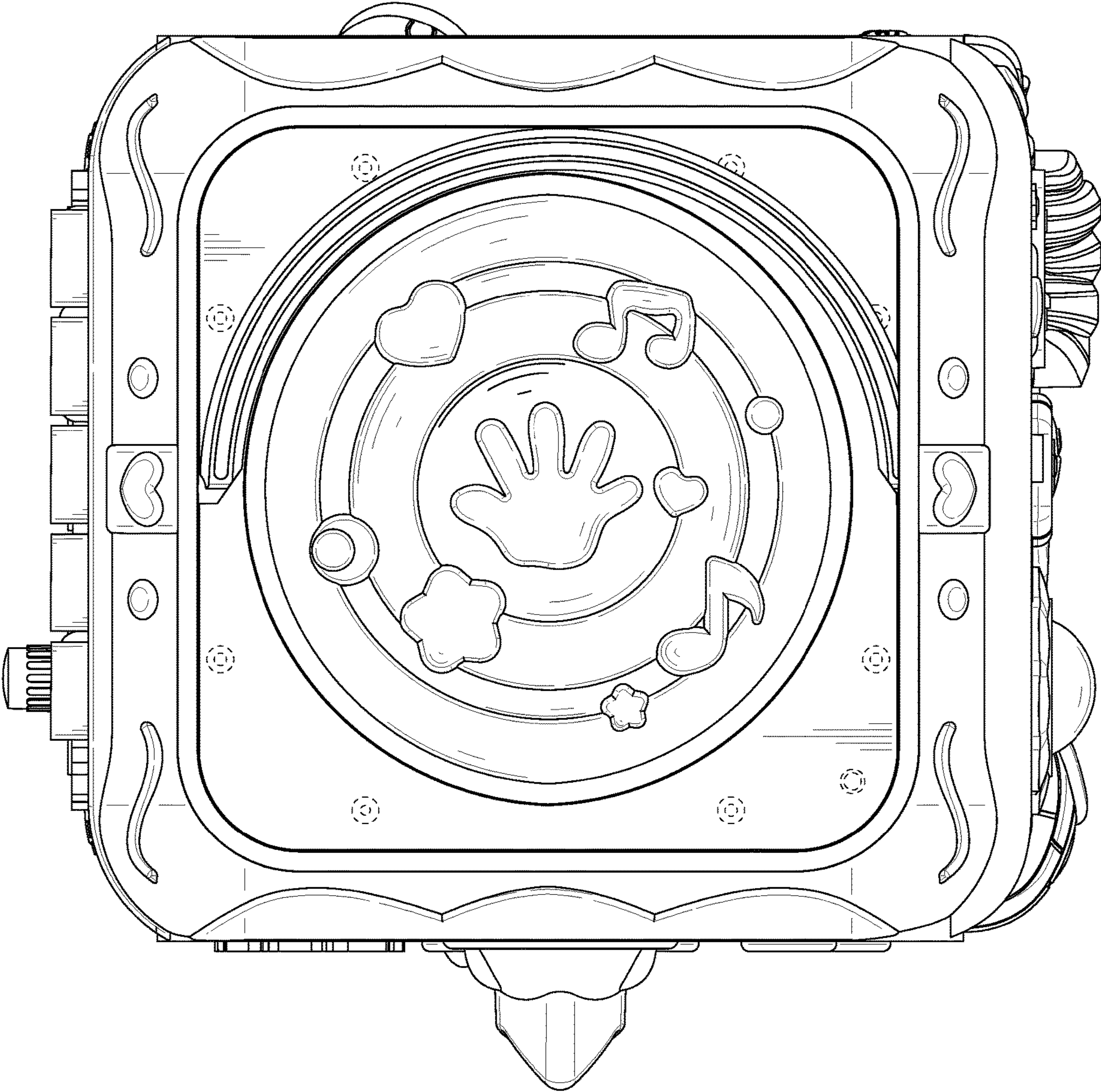


FIG. 7

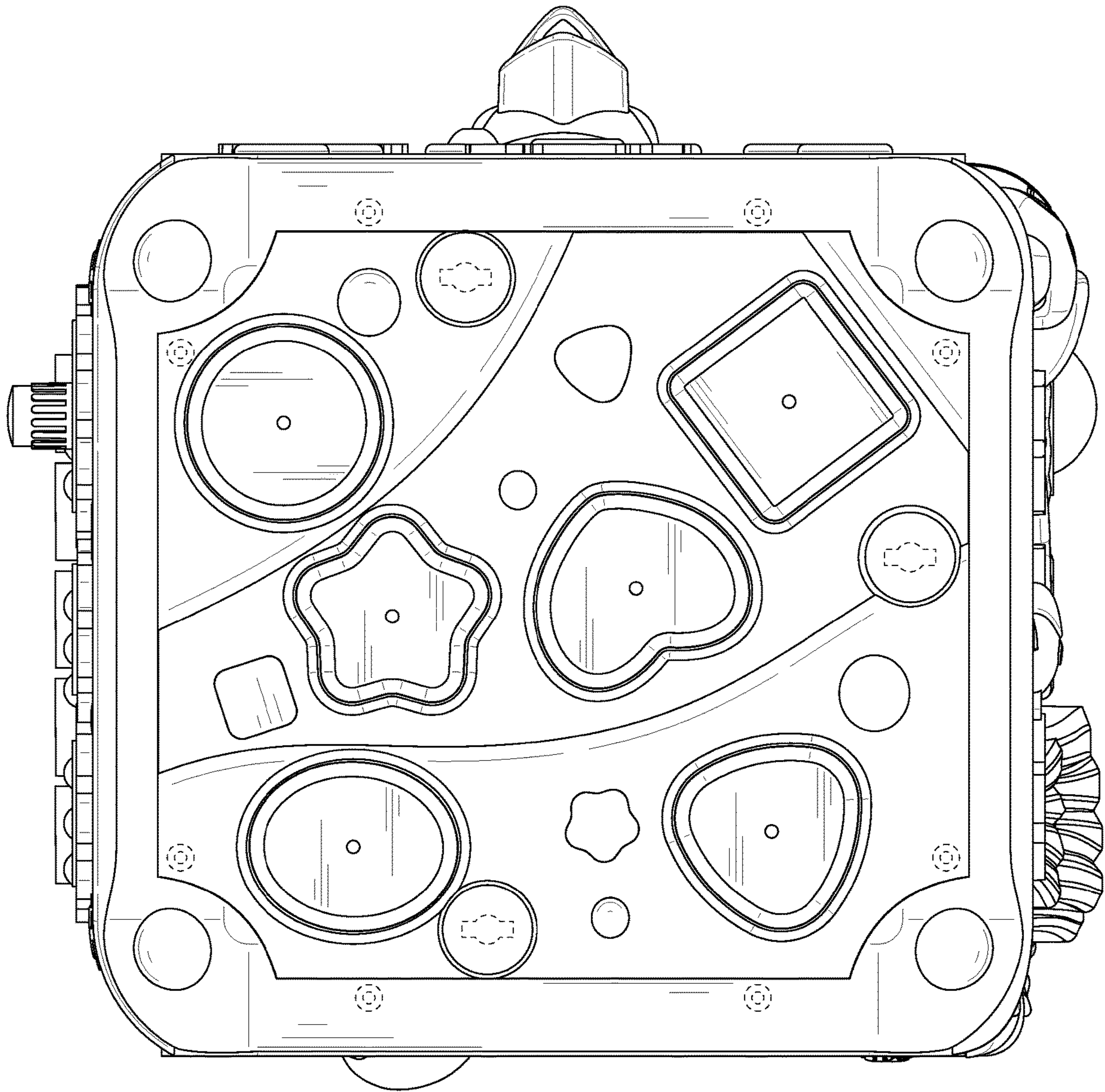


FIG. 8