



US00D938519S

(12) **United States Design Patent** (10) **Patent No.:** **US D938,519 S**
Hong et al. (45) **Date of Patent:** **** Dec. 14, 2021**

(54) **ELECTRONIC BLACKBOARD**

(71) Applicant: **LG ELECTRONICS INC.**, Seoul (KR)

(72) Inventors: **Hyeyoung Hong**, Seoul (KR); **Yongho Lee**, Seoul (KR); **Jiyeon Lee**, Seoul (KR); **Joe Hyun**, Seoul (KR)

(73) Assignee: **LG ELECTRONICS INC.**, Seoul (KR)

(**) Term: **15 Years**

(21) Appl. No.: **35/510,404**

(22) Filed: **Mar. 23, 2020**

(80) **Hague Agreement Data**

Int. Filing Date: **Mar. 23, 2020**

Int. Reg. No.: **DM/207007**

Int. Reg. Date: **Mar. 23, 2020**

Int. Reg. Pub. Date: **Sep. 25, 2020**

(30) **Foreign Application Priority Data**

Sep. 26, 2019 (KR) 30-2019-0046242

(51) **LOC (13) Cl.** **19-06**

(52) **U.S. Cl.**
USPC **D19/113**

(58) **Field of Classification Search**

USPC D19/113-114, 91; D14/371-375,
D14/125-129, 307, 336, 337, 217;

D6/300, 308; D20/10, 41, 42

CPC B43L 1/008; B43L 11/06; B43L 13/205;
B43L 13/24; B43L 1/00; B43L 1/045;

B43L 1/12; B43L 3/008

See application file for complete search history.

(56) **References Cited**

U.S. PATENT DOCUMENTS

D635,189 S * 3/2011 Bolt D19/113

D669,534 S * 10/2012 Nakashima D19/113

D672,817 S *	12/2012	Butmir	D19/113
D705,356 S *	5/2014	Kang	D19/113
D755,292 S *	5/2016	Sirolich	D19/113
D762,772 S *	8/2016	Tsuruoka	D19/113
D773,422 S *	12/2016	Han	D14/126
D807,312 S *	1/2018	Jeong	D14/126
D809,600 S *	2/2018	Anderson	D19/113
D831,111 S *	10/2018	Kang	D19/113
D832,918 S *	11/2018	Kang	D19/113
D894,276 S *	8/2020	Knapp	D19/113
D894,277 S *	8/2020	Lee	D19/113
D911,441 S *	2/2021	Pereira	D19/113
D914,735 S *	3/2021	Hwang	D14/486
D914,736 S *	3/2021	Jung	D14/486
D914,737 S *	3/2021	Hwang	D14/486
2008/0151314 A1 *	6/2008	Nishiie	H04N 1/1255 358/401

* cited by examiner

Primary Examiner — Khawaja Anwar

(74) *Attorney, Agent, or Firm* — Birch, Stewart, Kolasch & Birch, LLP

(57) **CLAIM**

The ornamental design for an electronic blackboard, as shown and described.

DESCRIPTION

1. Electronic blackboard

1.1 : Perspective

1.2 : Front

1.3 : Back

1.4 : Left

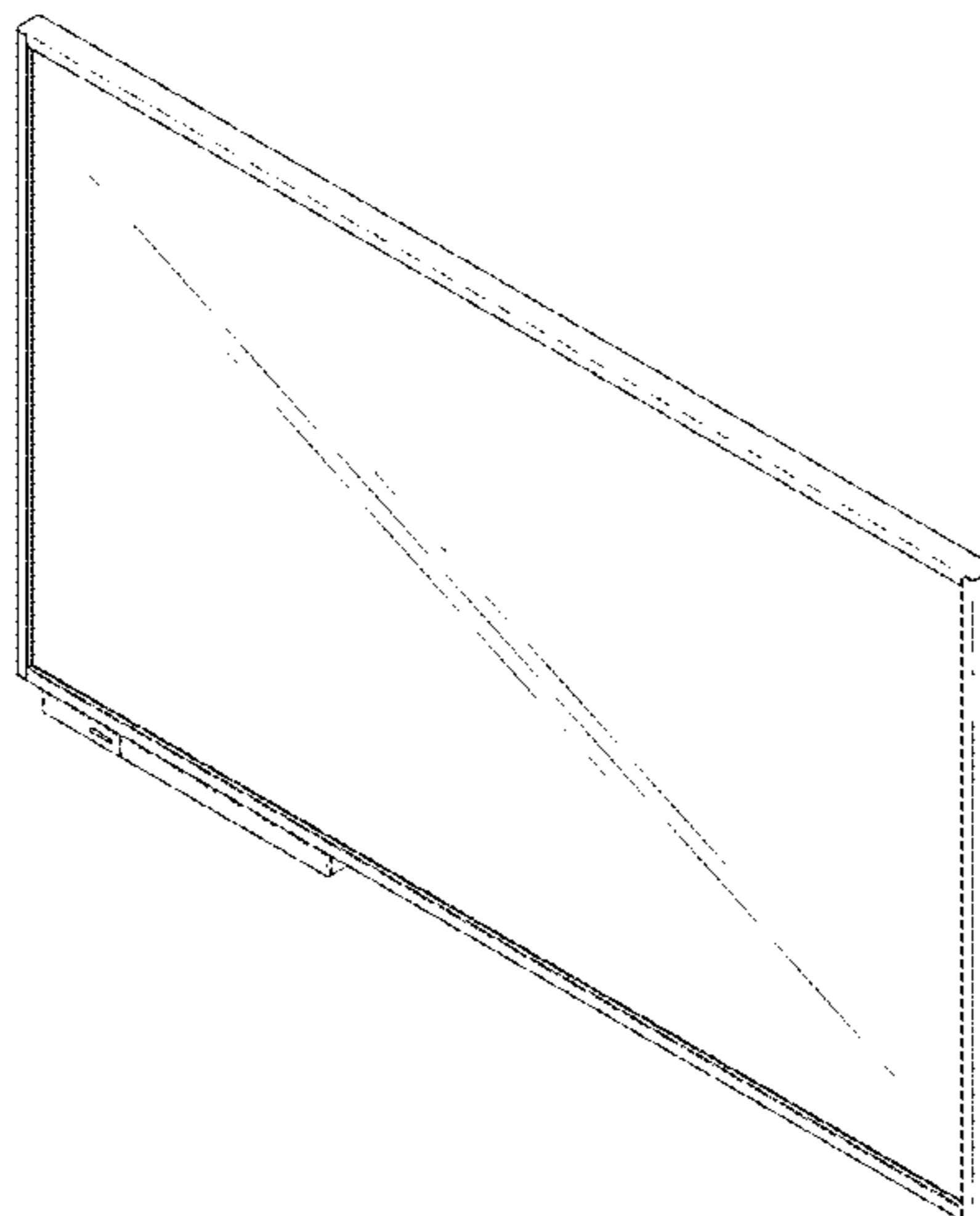
1.5 : Right

1.6 : Top

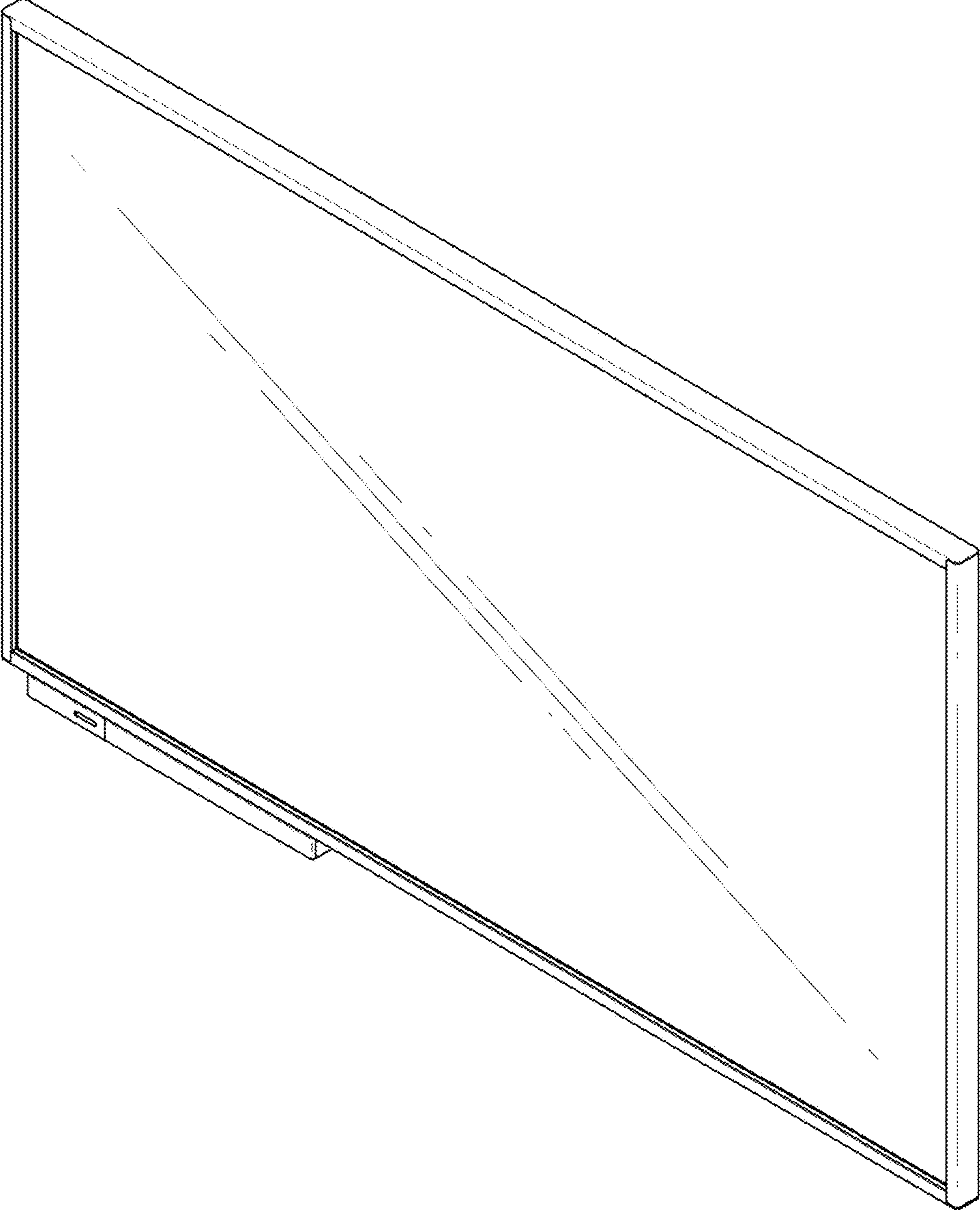
1.7 : Bottom

The broken lines indicate portions of the article that form no part of the claimed design.

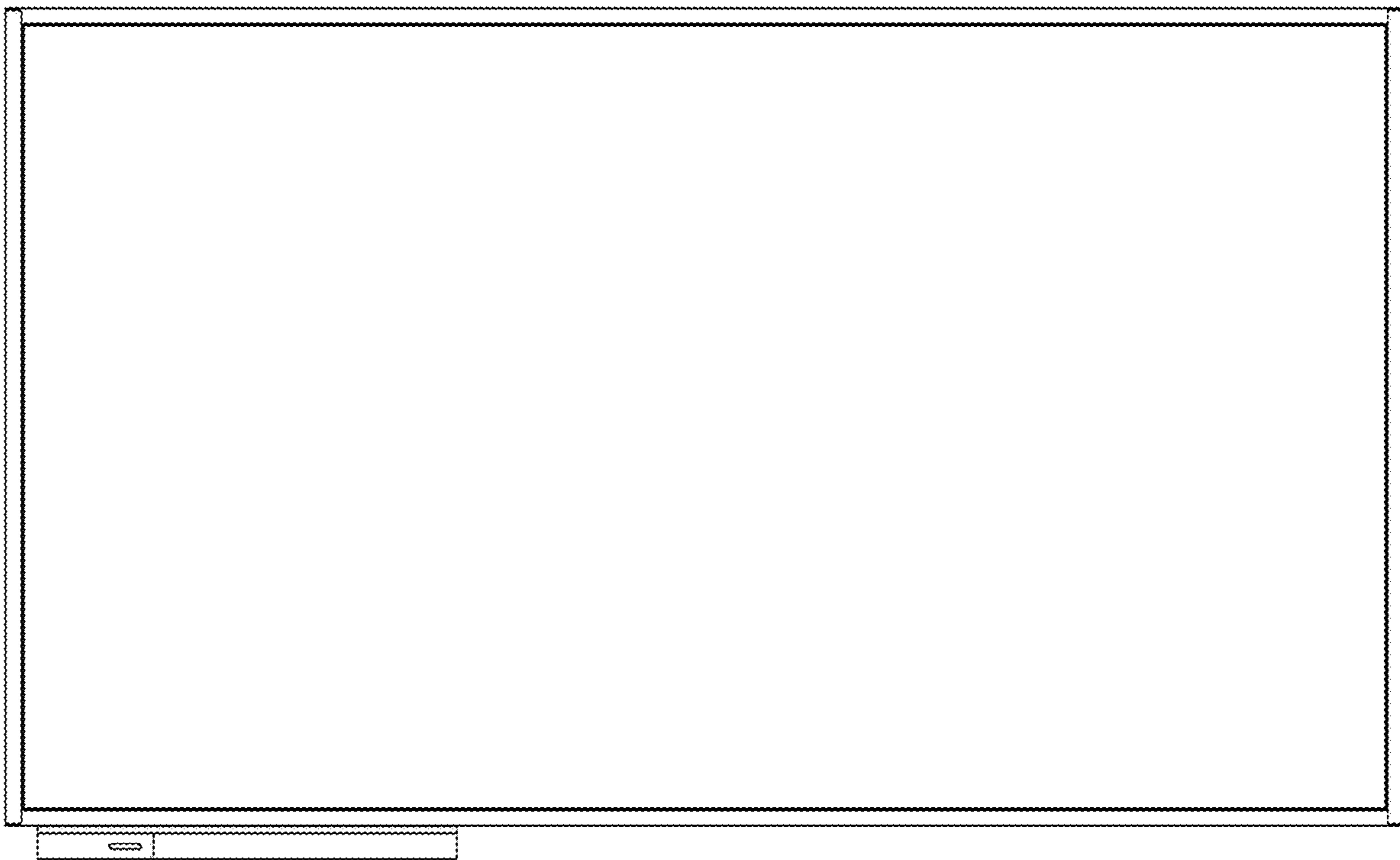
1 Claim, 7 Drawing Sheets



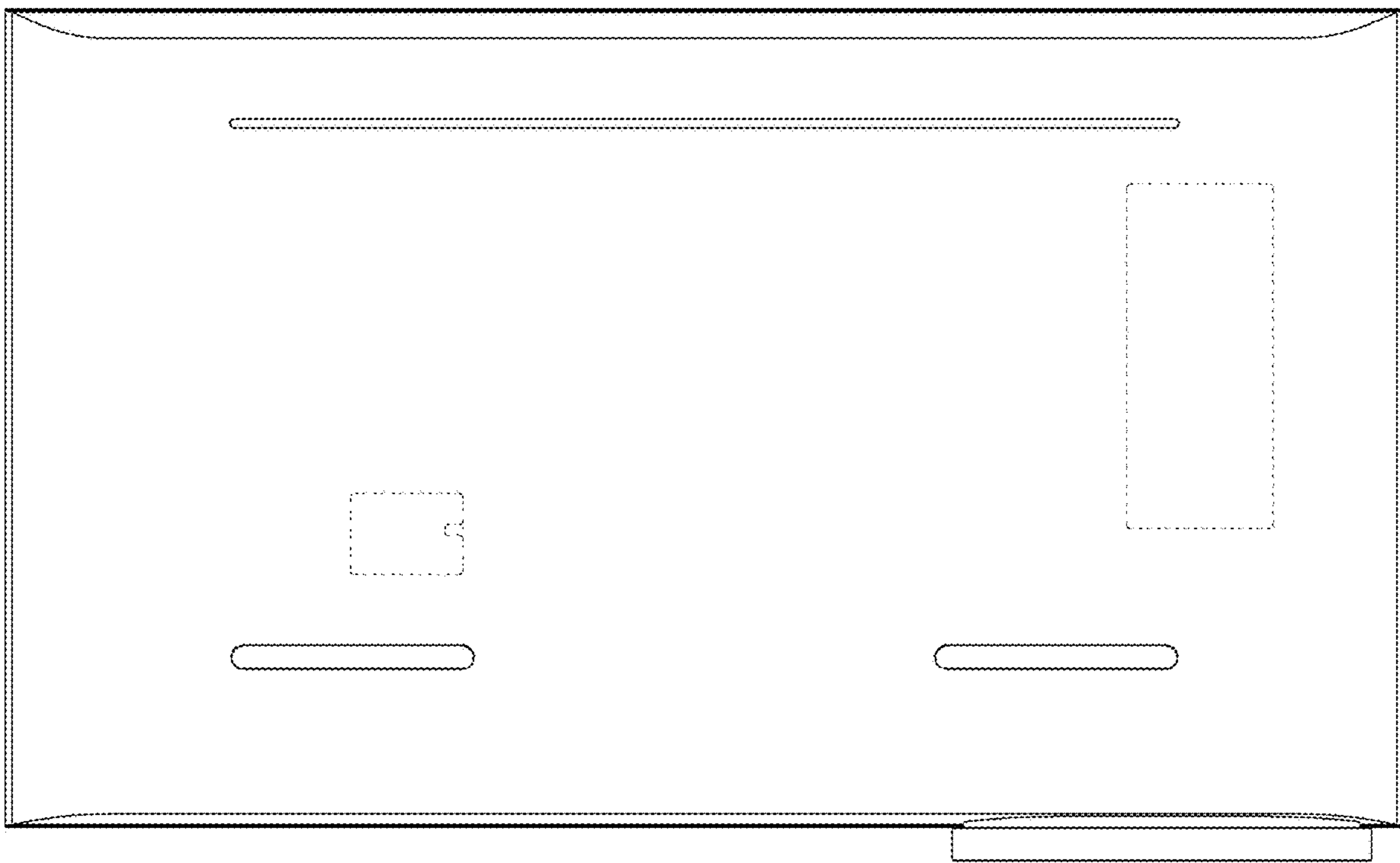
1.1



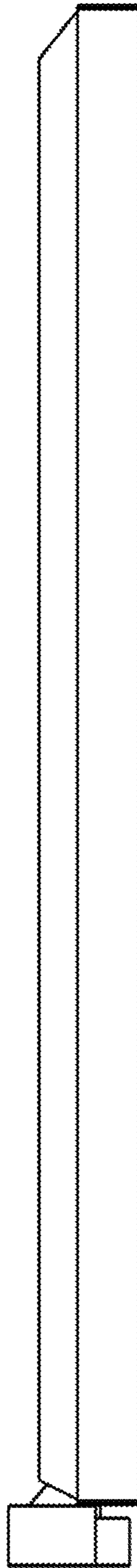
1.2



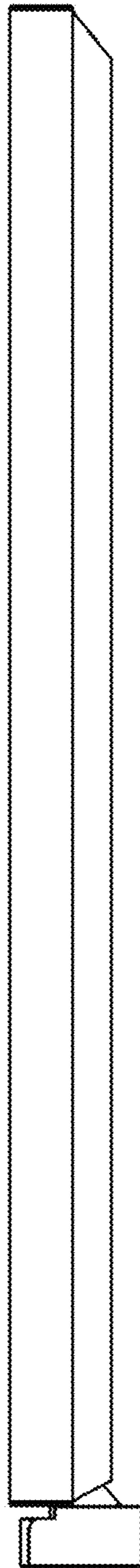
1.3



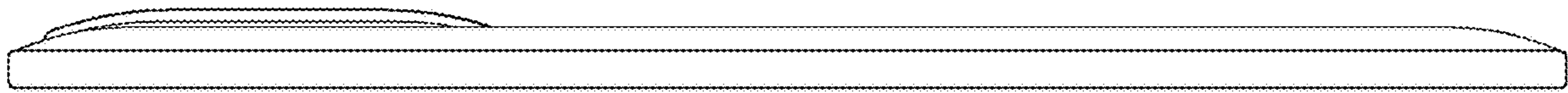
1.4



1.5



1.6



1.7

