



US00D938518S

(12) **United States Design Patent** (10) **Patent No.:** **US D938,518 S**  
**Si** (45) **Date of Patent:** **\*\* Dec. 14, 2021**

(54) **ORGANIZER TRAY**  
(71) Applicant: **Yiwu Junhao Trading Co., Ltd.**, Yiwu (CN)

D457,687 S \* 5/2002 Millar ..... D28/77  
D504,563 S \* 5/2005 Broussard ..... D3/20  
D876,836 S 3/2020 Stevens  
D923,089 S \* 6/2021 Zheng ..... D19/103  
2005/0263468 A1\* 12/2005 Wanda ..... B25H 3/06  
211/133.6

(72) Inventor: **Feiyue Si**, Yiwu (CN)  
(73) Assignee: **Yiwu Junhao Trading Co., Ltd.**, Zhejiang (CN)

(\*\*) Term: **15 Years**

(21) Appl. No.: **29/752,306**

(22) Filed: **Sep. 26, 2020**

(51) **LOC (13) Cl.** ..... **19-06**

(52) **U.S. Cl.**  
USPC ..... **D19/103; D3/313**

(58) **Field of Classification Search**  
USPC ..... D9/737, 756, 759, 760; D3/304, 313, D3/314, 20, 901; D7/63, 550.1, D7/553.1-553.5, 553.7; D24/229; D19/75, 102-107; D28/76, 83  
CPC . B44D 2/002; B44D 3/02; B44D 3/04; B25H 3/06

See application file for complete search history.

(56) **References Cited**

**U.S. PATENT DOCUMENTS**

D153,339 S \* 4/1949 Deckinger ..... D19/106  
4,131,203 A \* 12/1978 Bridges ..... A47F 5/0025  
108/32  
D257,159 S \* 9/1980 Hubbard ..... 273/148 A  
D279,341 S \* 6/1985 Simmons ..... D3/313  
D295,932 S \* 5/1988 Cugley ..... D3/313  
D321,535 S \* 11/1991 Carretta ..... D19/92  
D419,772 S \* 2/2000 Williams ..... D3/201

**OTHER PUBLICATIONS**

Foldable Tray Organizer by Tiny Fun, available Sep. 4, 2020, [online], [site visited Jul. 31, 2021]. Available from internet, URL: <https://www.amazon.com/Painting-Organizer-Accessories-Multi-Boat-Containers/dp/B08HGTKMKG> (Year: 2020).\*

Drill Storage Container by Tiny Fun, available Sep. 10, 2020, [online], [site visited Jul. 31, 2021]. Available from internet, URL: <https://www.amazon.com/gp/product/B08HRTFQK9?th=1&psc=1> (Year: 2020).\*

\* cited by examiner

*Primary Examiner* — W. A. Teddy Falloway  
(74) *Attorney, Agent, or Firm* — ScienBiziP, P.C.

(57) **CLAIM**

The ornamental design for an organizer tray, as shown and described.

**DESCRIPTION**

FIG. 1 is a top perspective view of an organizer tray, showing my design.

FIG. 2 is a bottom perspective view thereof.

FIG. 3 is a front elevation view thereof.

FIG. 4 is a rear elevation view thereof.

FIG. 5 is a left side elevation thereof.

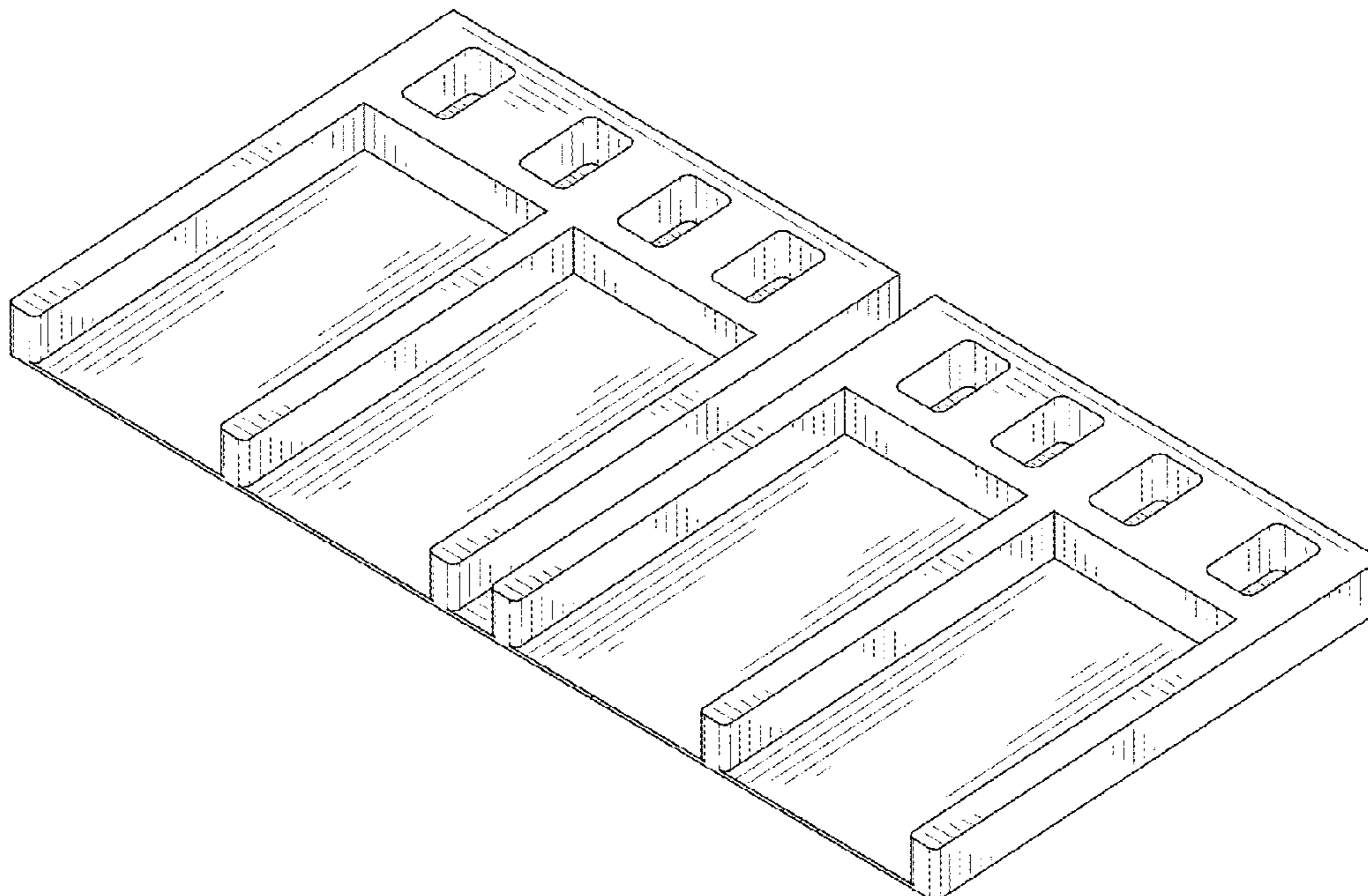
FIG. 6 is a right side elevation thereof.

FIG. 7 is a top plan view thereof.

FIG. 8 is a bottom plan view thereof; and,

FIG. 9 is a perspective view thereof shown in a bent state.

**1 Claim, 9 Drawing Sheets**



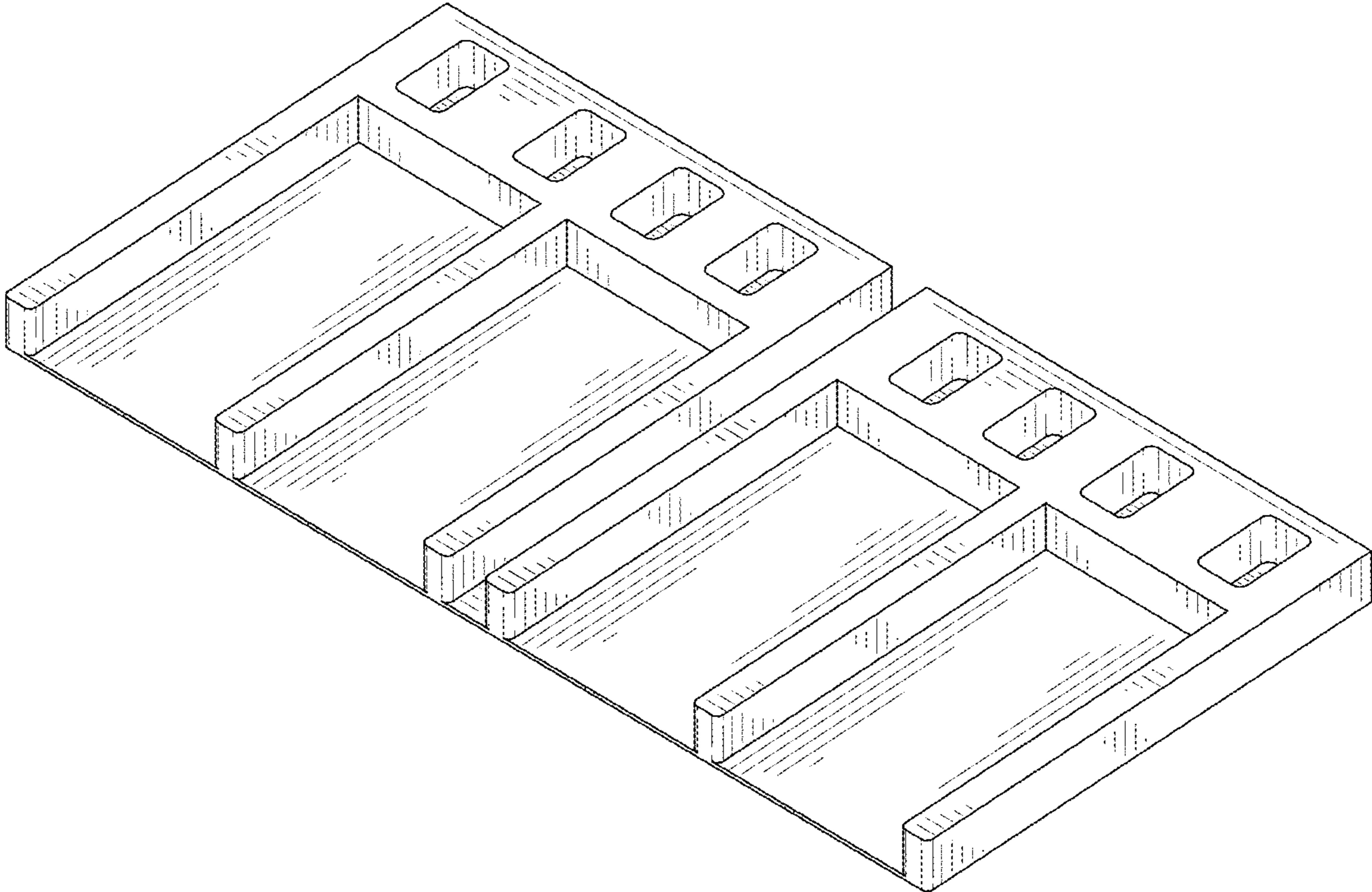


FIG. 1

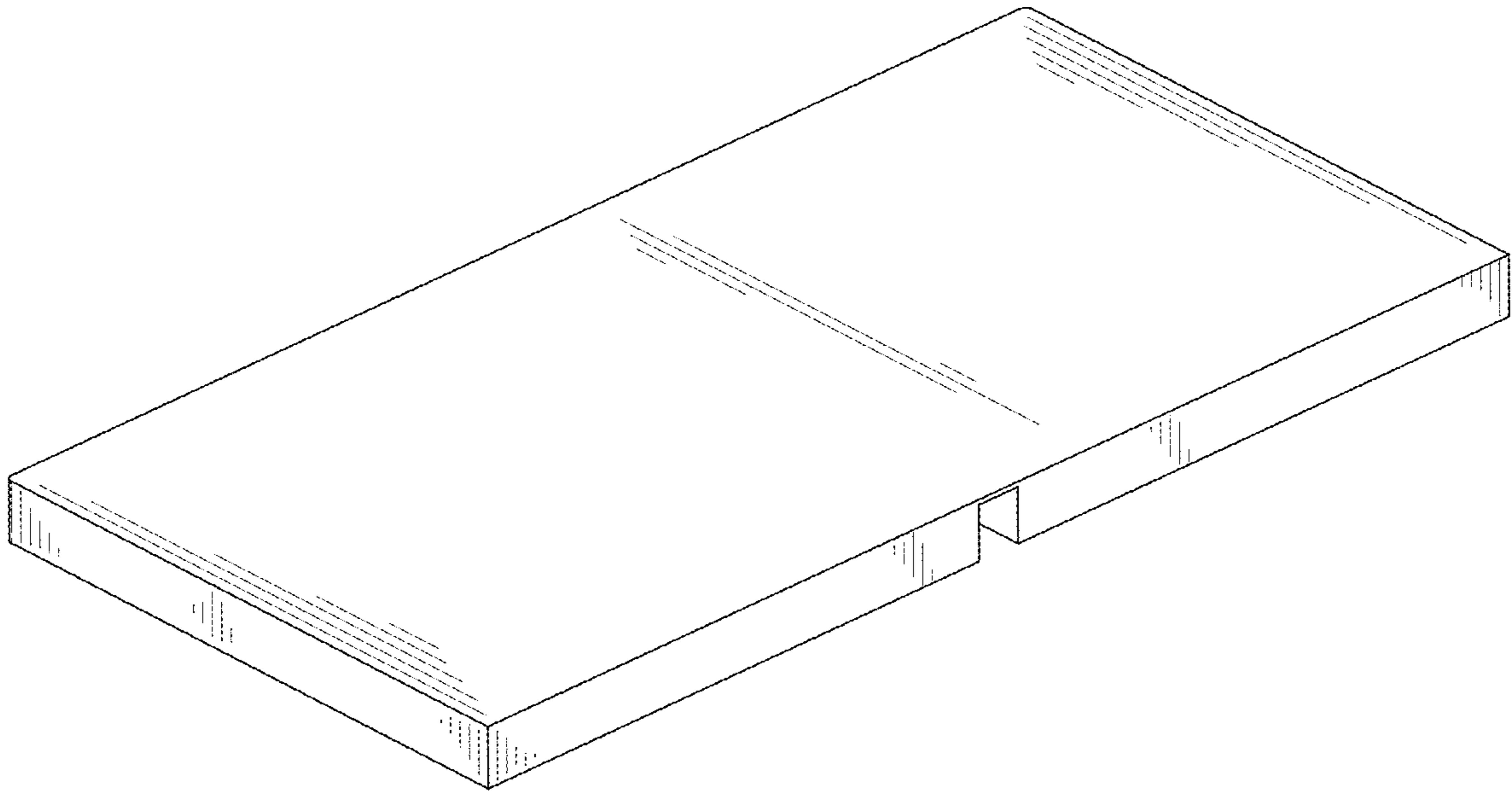


FIG. 2

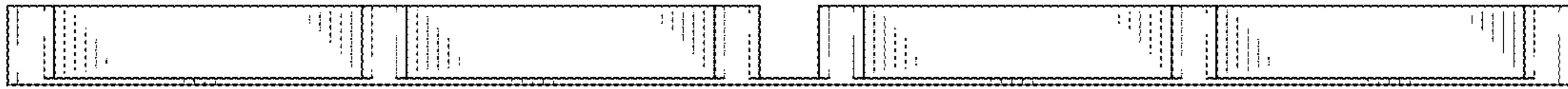


FIG. 3

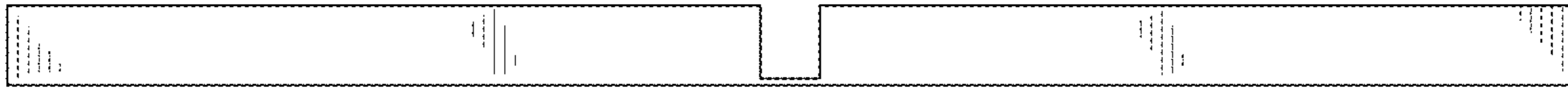


FIG. 4



FIG. 5



FIG. 6

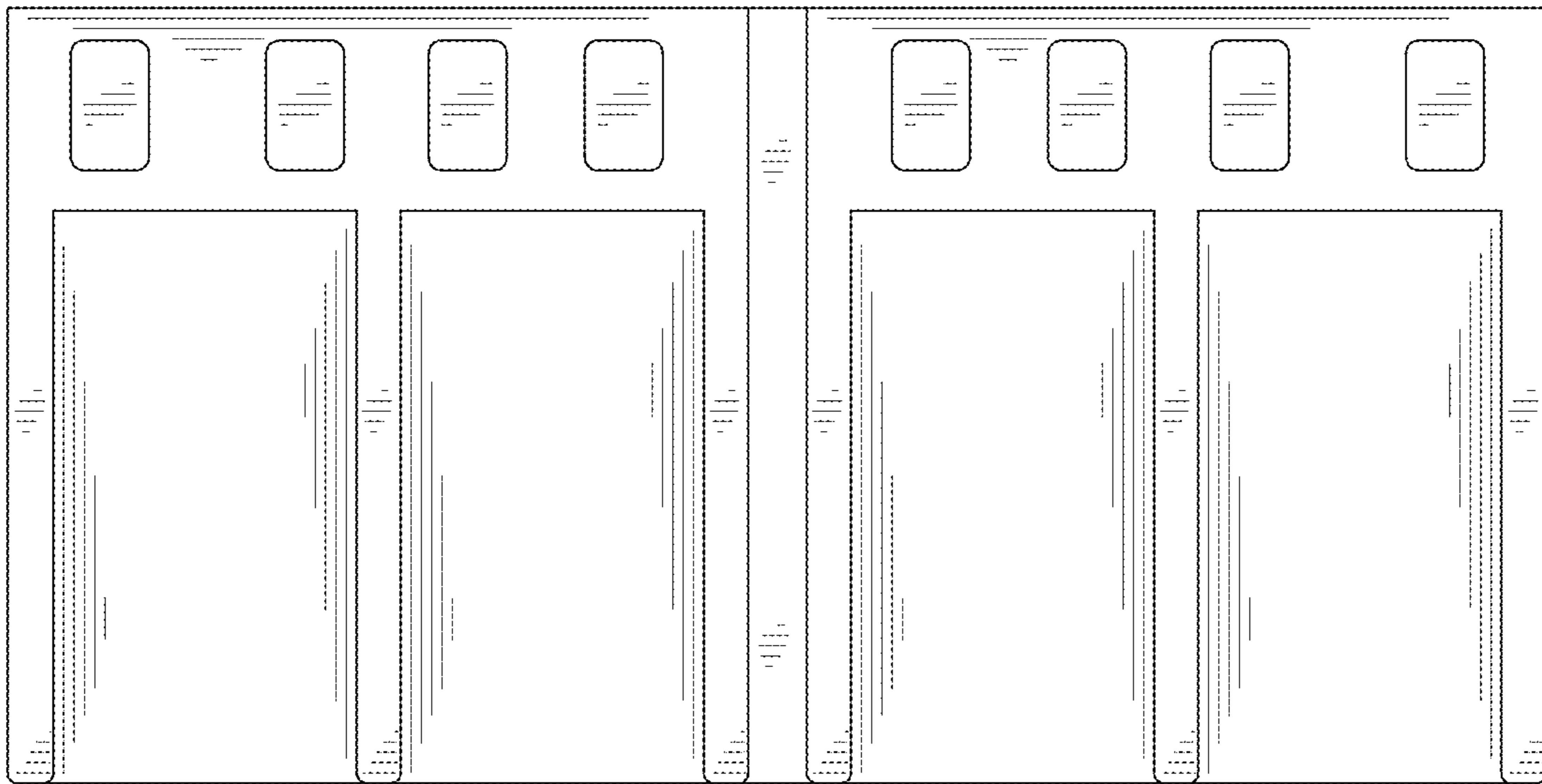


FIG. 7



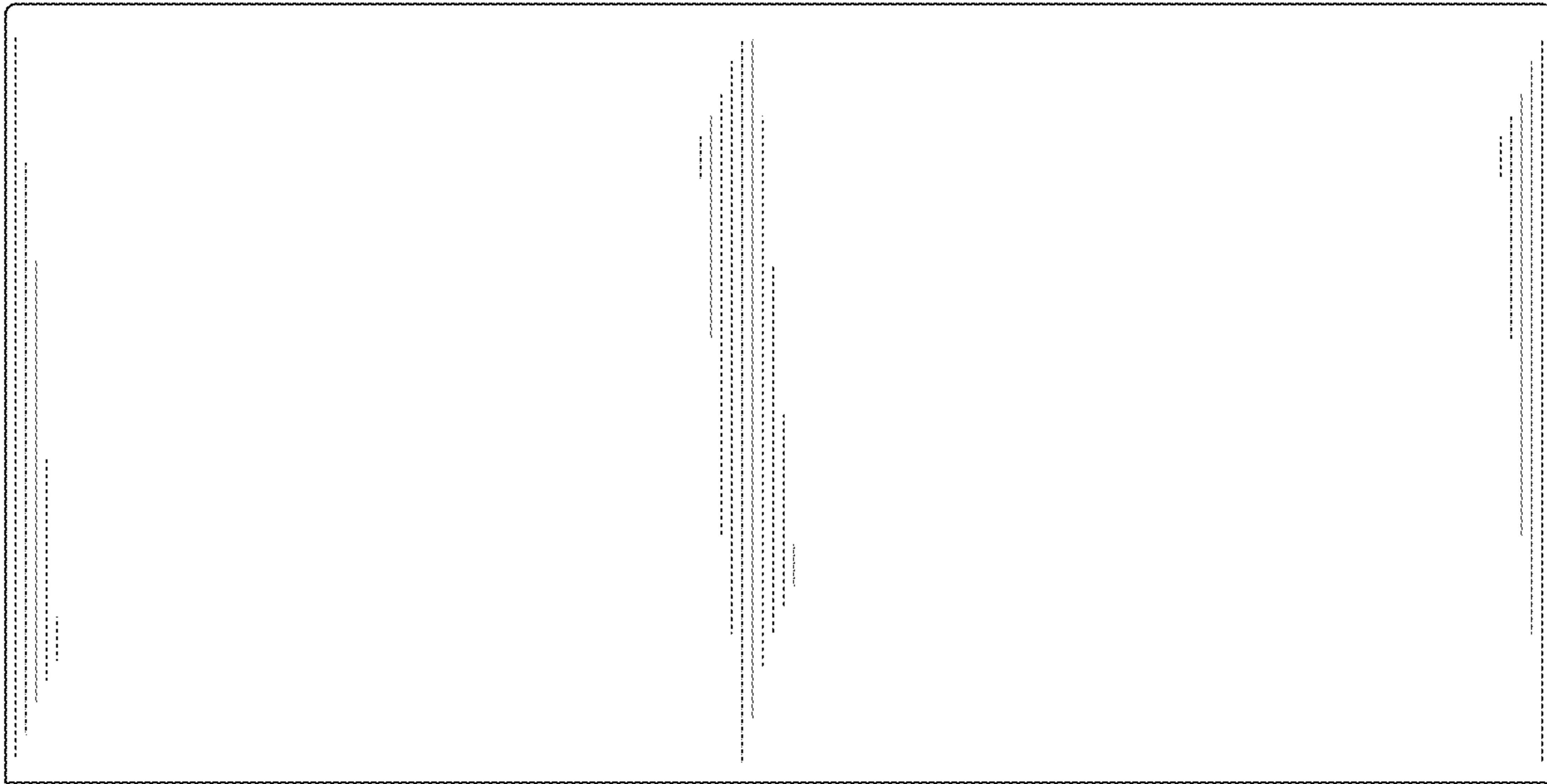


FIG. 8

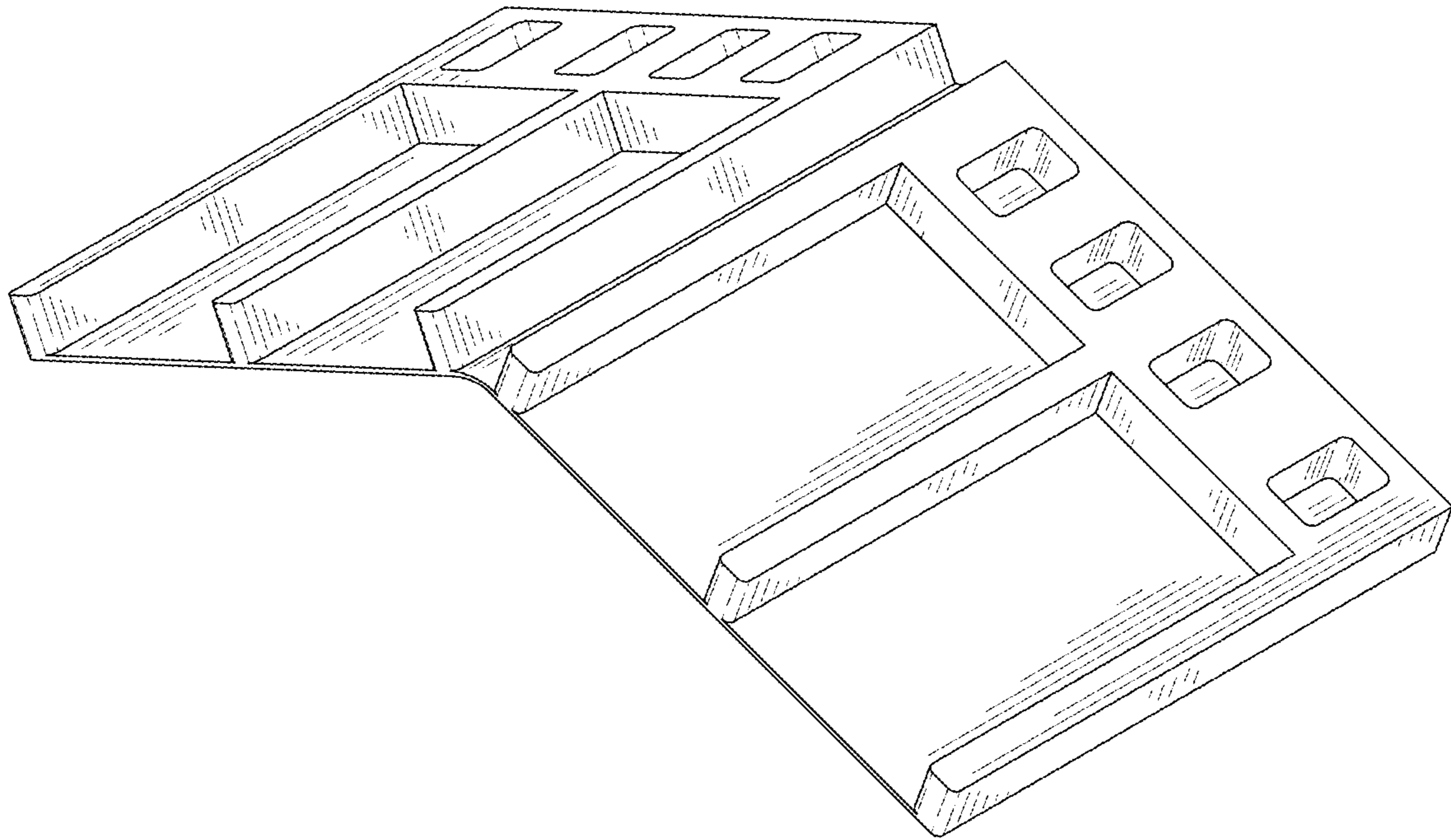


FIG. 9