



US00D938517S

(12) **United States Design Patent** (10) **Patent No.:** **US D938,517 S**
Naukam (45) **Date of Patent:** **** Dec. 14, 2021**

(54) **PEN CAP RETAINER**
(71) Applicant: **Kurt Naukam**, Castroville, TX (US)
(72) Inventor: **Kurt Naukam**, Castroville, TX (US)
(73) Assignee: **Kurt Naukam**, Castroville, TX (US)
(**) Term: **15 Years**
(21) Appl. No.: **29/793,134**
(22) Filed: **Jun. 25, 2021**
(51) **LOC (13) Cl.** **19-06**
(52) **U.S. Cl.**
USPC **D19/84**
(58) **Field of Classification Search**
USPC D19/77-85, 115-204
CPC B43K 23/001; B43K 23/002; B43K 23/02;
B43K 23/08; B43M 99/001; B43M
99/003; B43M 99/006; B43M 99/008
See application file for complete search history.

(56) **References Cited**
U.S. PATENT DOCUMENTS
204,169 A * 5/1878 Sellers B43L 23/08
15/105.53
1,163,674 A * 12/1915 McCarroll B43K 29/02
15/427
1,612,932 A * 1/1927 Mattson B43K 25/024
24/11 CT
D186,145 S * 9/1959 Strauss D19/84
D190,349 S * 5/1961 Doman D19/201
D217,789 S * 6/1970 Oddo D19/85
D223,101 S * 3/1972 Sylvester D8/71
D223,968 S * 6/1972 Collura D19/75
D273,400 S * 4/1984 Zierhut D19/195
D305,777 S * 1/1990 Lee D19/135
4,919,556 A * 4/1990 Kuo B43K 21/003
401/57
D329,304 S * 9/1992 Tipp D28/38

5,405,024 A * 4/1995 Sahf B43M 99/006
211/69.5
D423,717 S * 4/2000 Taylor D28/38
D441,267 S * 5/2001 Heun B25F 5/02
D8/61
D498,561 S * 11/2004 McCambridge D28/38
6,964,403 B2 * 11/2005 Fox G09F 17/00
116/173
8,192,370 B2 * 6/2012 Miller A61B 10/0096
600/568
D672,814 S * 12/2012 Li D19/185
D688,109 S * 8/2013 Vanderbeek D8/61
D701,571 S * 3/2014 Perkins D19/163
D760,838 S * 7/2016 Wiseman D19/130
D827,715 S * 9/2018 Casciotti D19/201
D902,998 S * 11/2020 Wolter D19/202
D914,087 S * 3/2021 Kaiser D19/84
2016/0255931 A1 * 9/2016 Nakagawa A45C 13/02
2020/0009900 A1 * 1/2020 Kaiser B43K 29/04

* cited by examiner

Primary Examiner — Elizabeth A. Albert

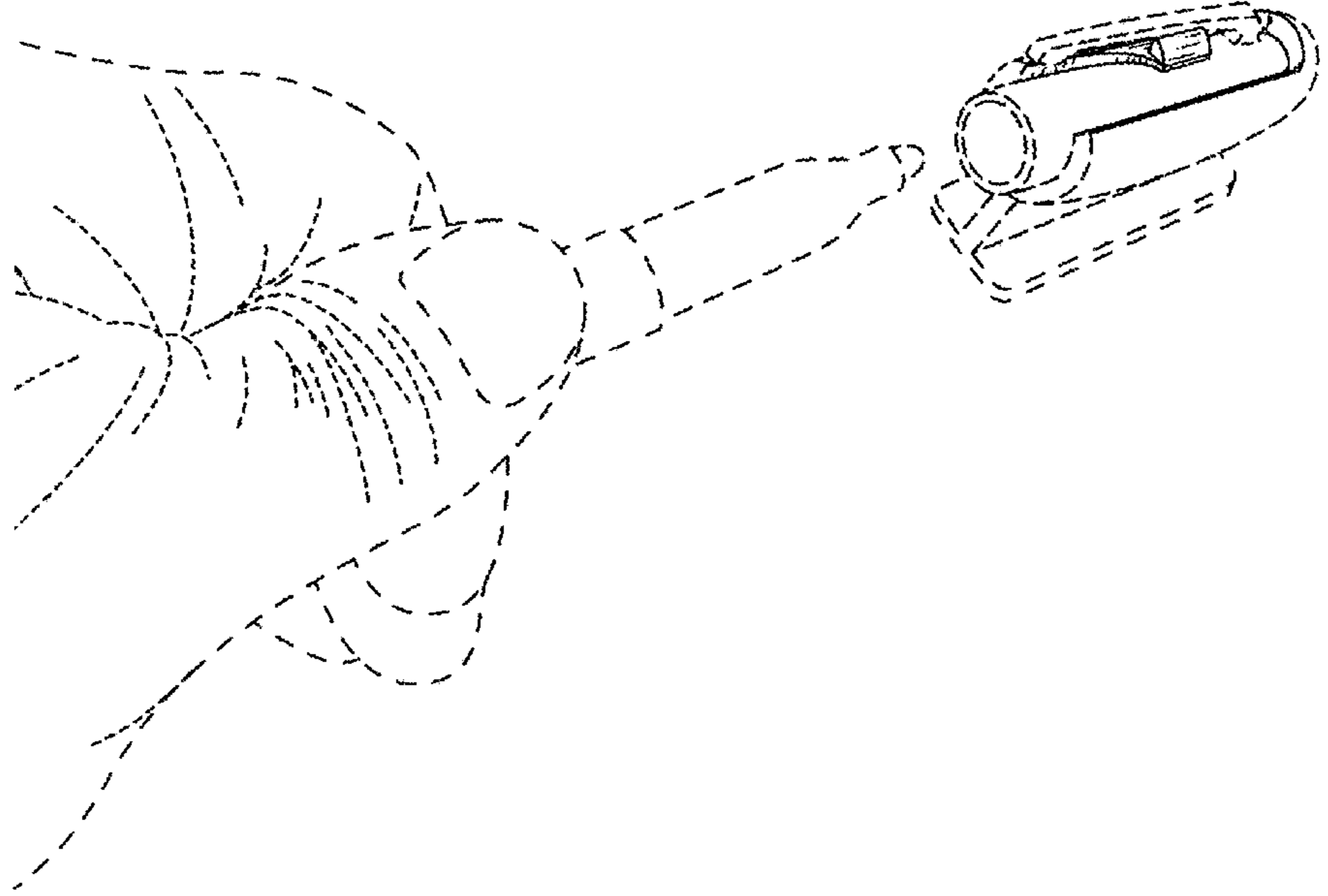
(57) **CLAIM**

The ornamental design for a pen cap retainer, as shown and described.

DESCRIPTION

FIG. 1 is perspective view of the pen cap retainer showing my new design;
FIG. 2 is a left perspective view of the pen cap retainer thereof;
FIG. 3 is a front perspective view thereof;
FIG. 4 is a rear perspective view thereof;
FIG. 5 is a left side view thereof; and,
FIG. 6 is a right side view thereof.
The broken lines are included for the purpose of illustrating portions of the pen cap retainer and environmental features that form no part of the claimed design.

1 Claim, 3 Drawing Sheets



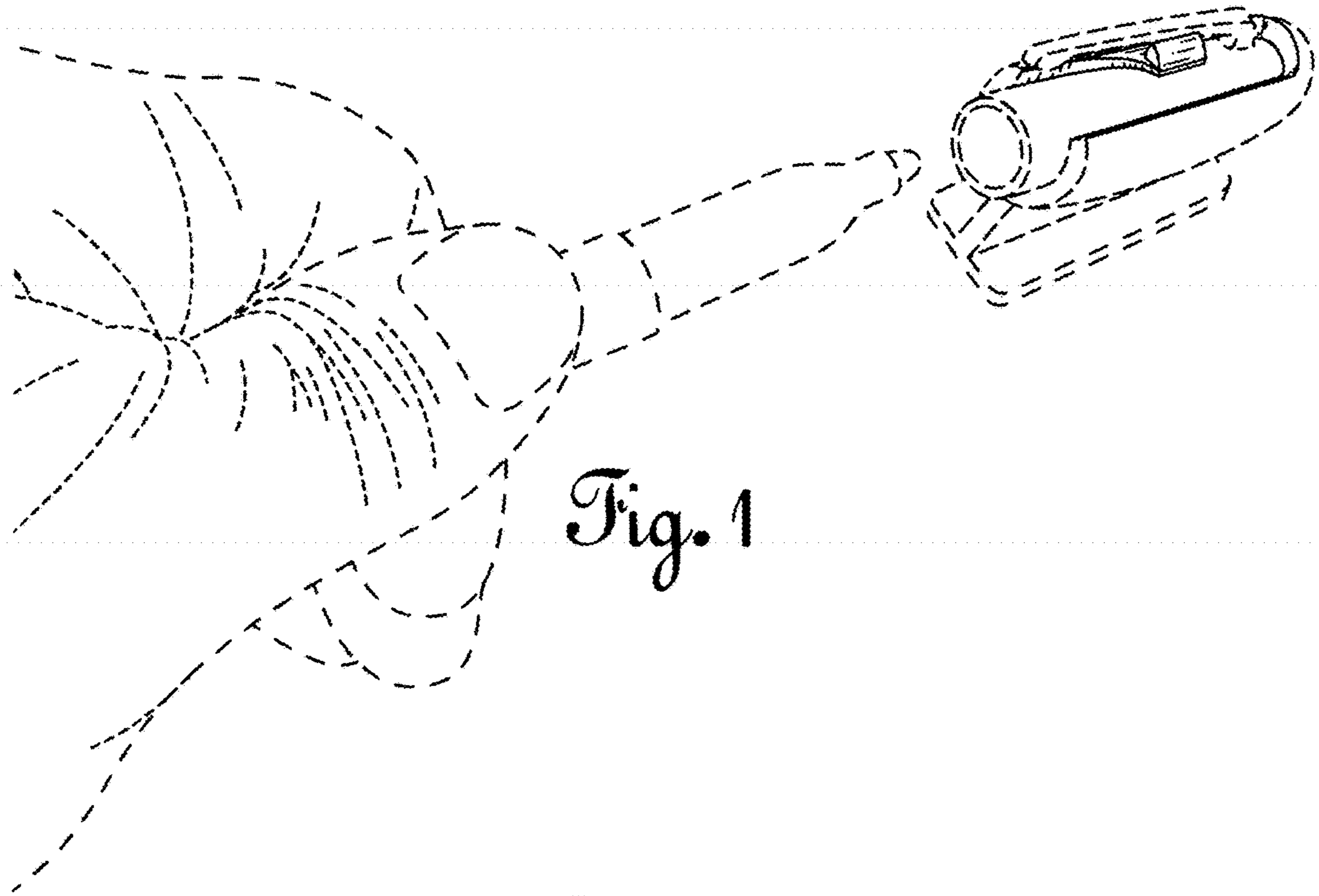


Fig. 1

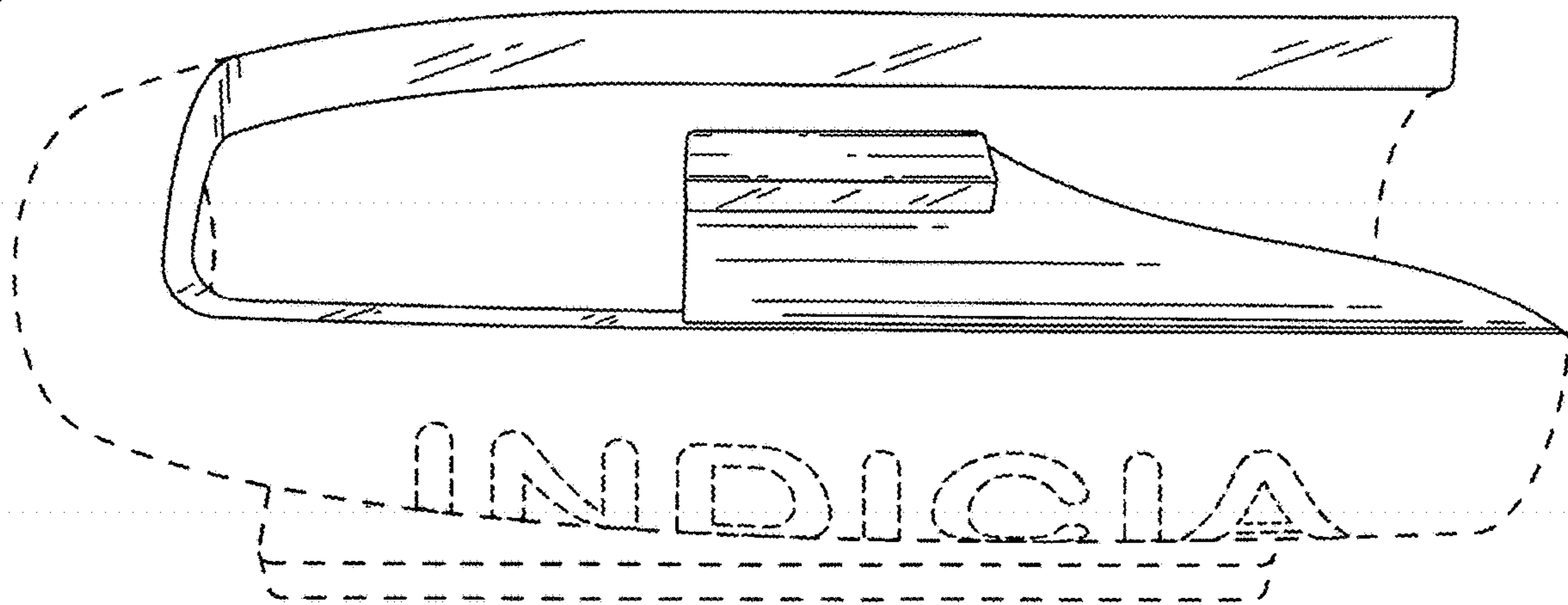


Fig. 2

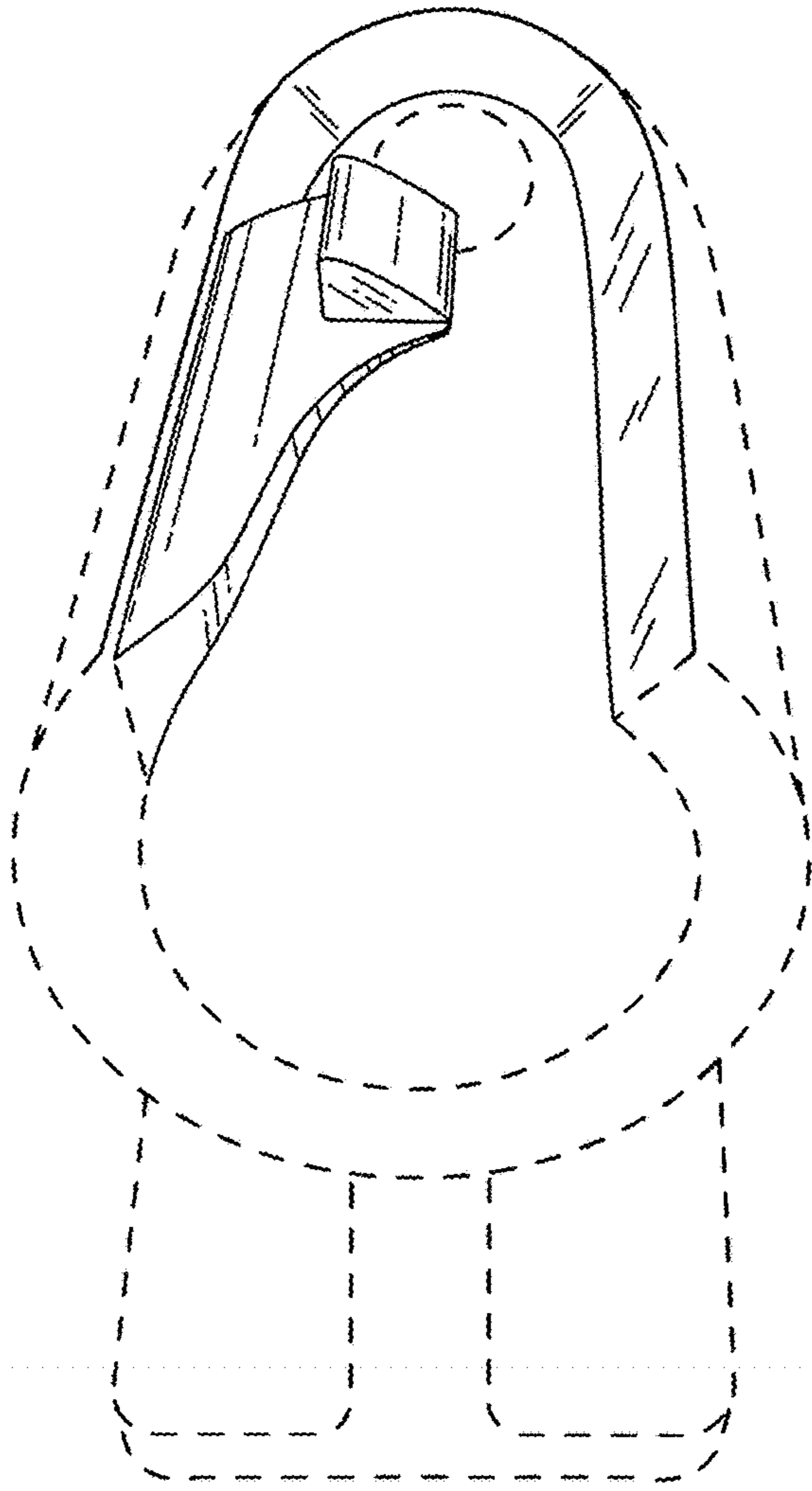


Fig. 3

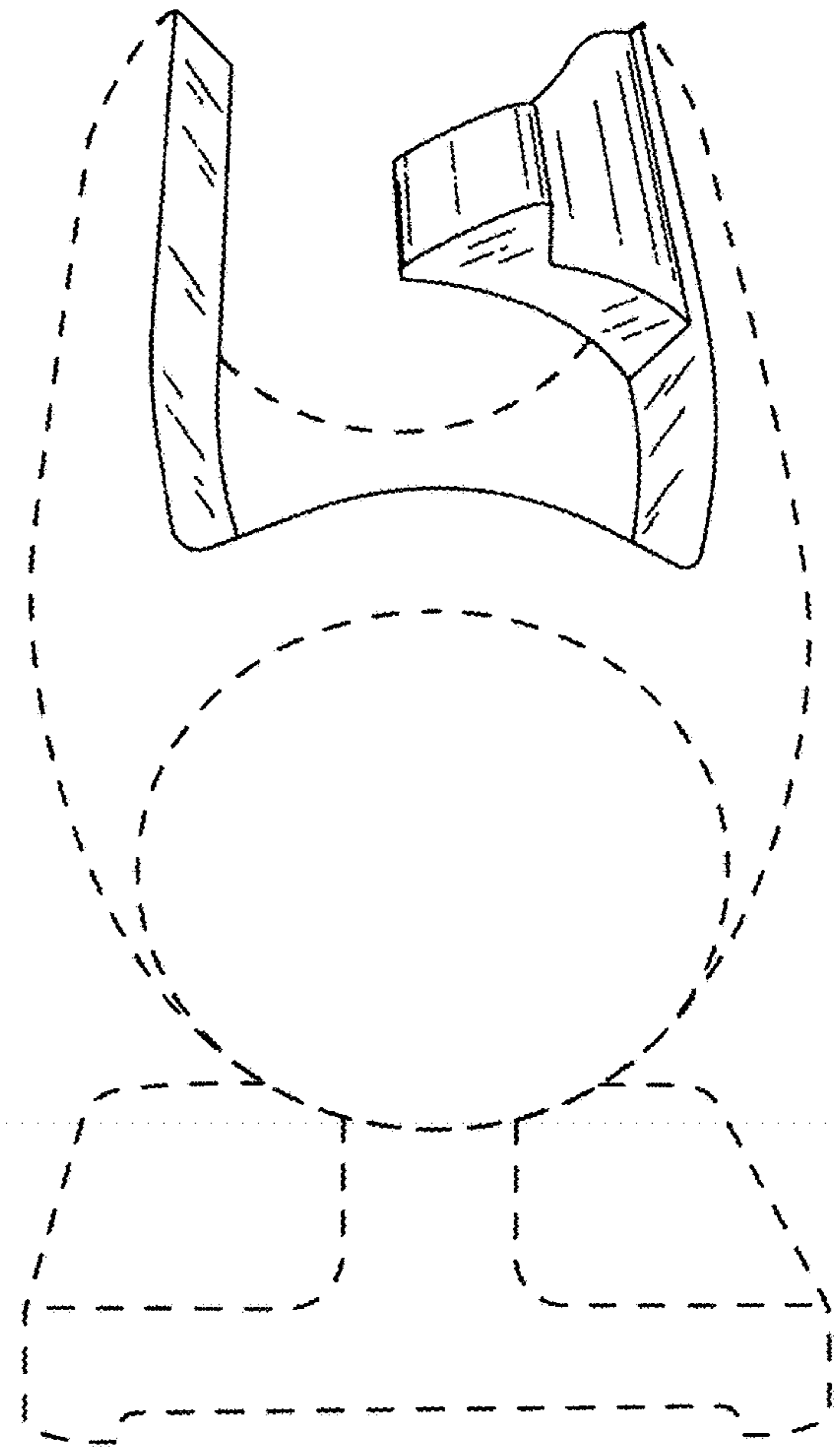


Fig. 4

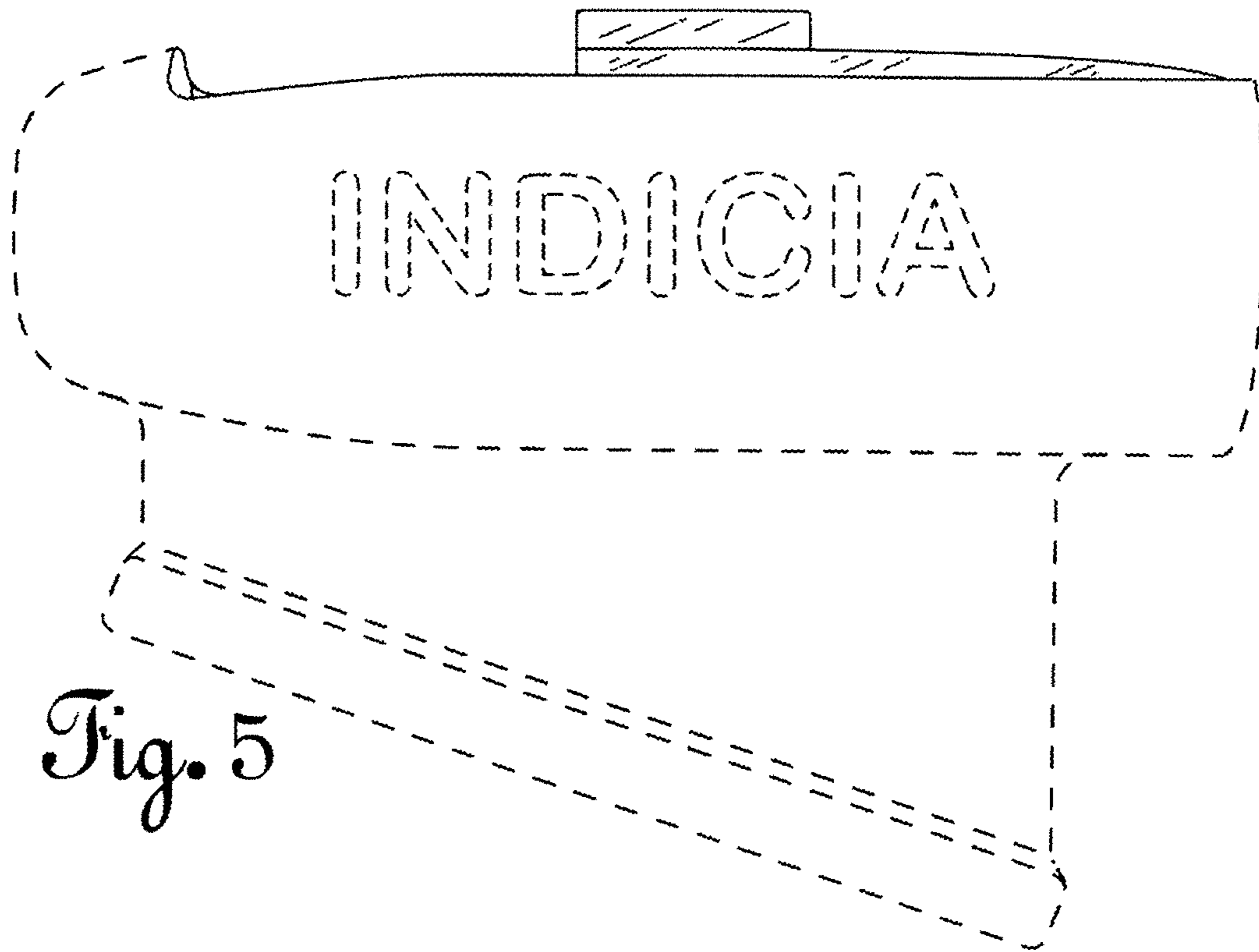


Fig. 5

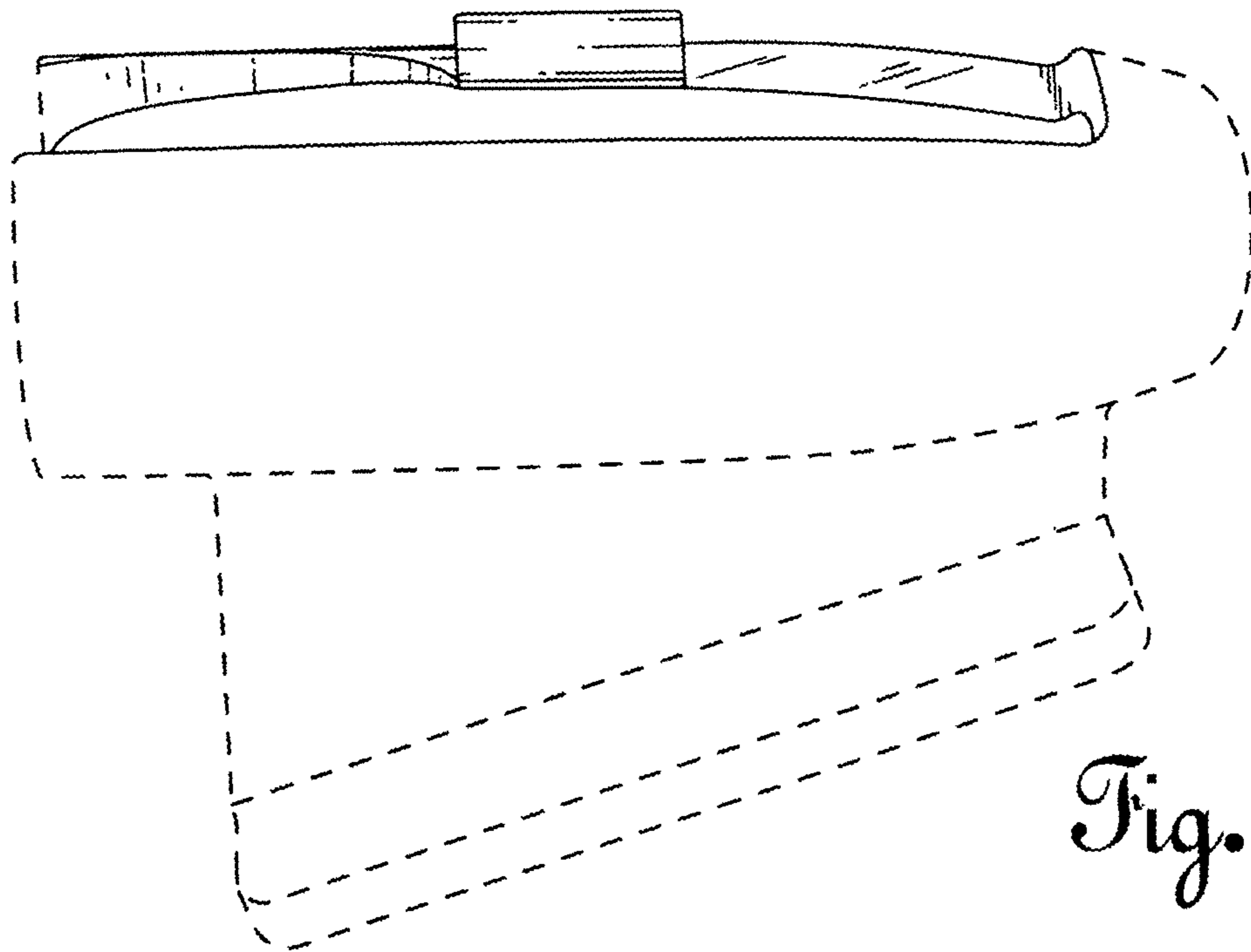


Fig. 6