



US00D938514S

(12) **United States Design Patent**  
**Tzeng et al.**

(10) **Patent No.:** **US D938,514 S**  
(45) **Date of Patent:** **\*\* Dec. 14, 2021**

(54) **CLARINET MOUTHPIECE**

(71) Applicant: **Mien-Huei Tzeng**, Tainan (TW)

(72) Inventors: **Yon-Hua Tzeng**, Tainan (TW);  
**Mien-Huei Tzeng**, Tainan (TW)

(73) Assignee: **Mien-Huei Tzeng**, Tainan (TW)

(\*\*) Term: **15 Years**

(21) Appl. No.: **29/721,569**

(22) Filed: **Jan. 22, 2020**

(51) **LOC (13) Cl.** ..... **17-02**

(52) **U.S. Cl.**  
USPC ..... **D17/13**

(58) **Field of Classification Search**  
USPC ..... D17/10, 11, 13, 99; D21/405, 411  
CPC .. G10D 7/00; G10D 7/02; G10D 7/06; G10D  
7/063; G10D 7/066; G10D 7/08; G10D  
7/10; G10D 9/00; G10D 9/02; G10D  
9/025; G10D 9/10  
See application file for complete search history.

(56) **References Cited**

**U.S. PATENT DOCUMENTS**

- 1,411,563 A \* 4/1922 Clark ..... A45D 33/22  
84/383 R
- 2,224,719 A \* 12/1940 Brillhart ..... G10D 9/035  
84/383 R
- 3,523,481 A \* 8/1970 Stevens ..... G10D 9/02  
84/383 R
- D318,868 S \* 8/1991 Disera ..... D17/13

- D320,219 S \* 9/1991 Disera ..... D17/13
- D747,404 S \* 1/2016 Selmer ..... D17/13
- 2002/0002894 A1 \* 1/2002 Sullivan ..... G10D 9/02  
84/383 R

**FOREIGN PATENT DOCUMENTS**

- DE 418371 C \* 9/1925 ..... G10D 9/02
- FR 563415 A \* 12/1923 ..... G10D 9/02
- FR 614540 A \* 12/1926 ..... G10D 9/02
- FR 1342196 A \* 11/1963 ..... G10D 9/02
- FR 2753826 A1 \* 3/1998 ..... G10D 7/06
- FR 3093224 A1 \* 8/2020 ..... G10D 9/02

\* cited by examiner

*Primary Examiner* — R. Johnson

(74) *Attorney, Agent, or Firm* — Bacon & Thomas, PLLC

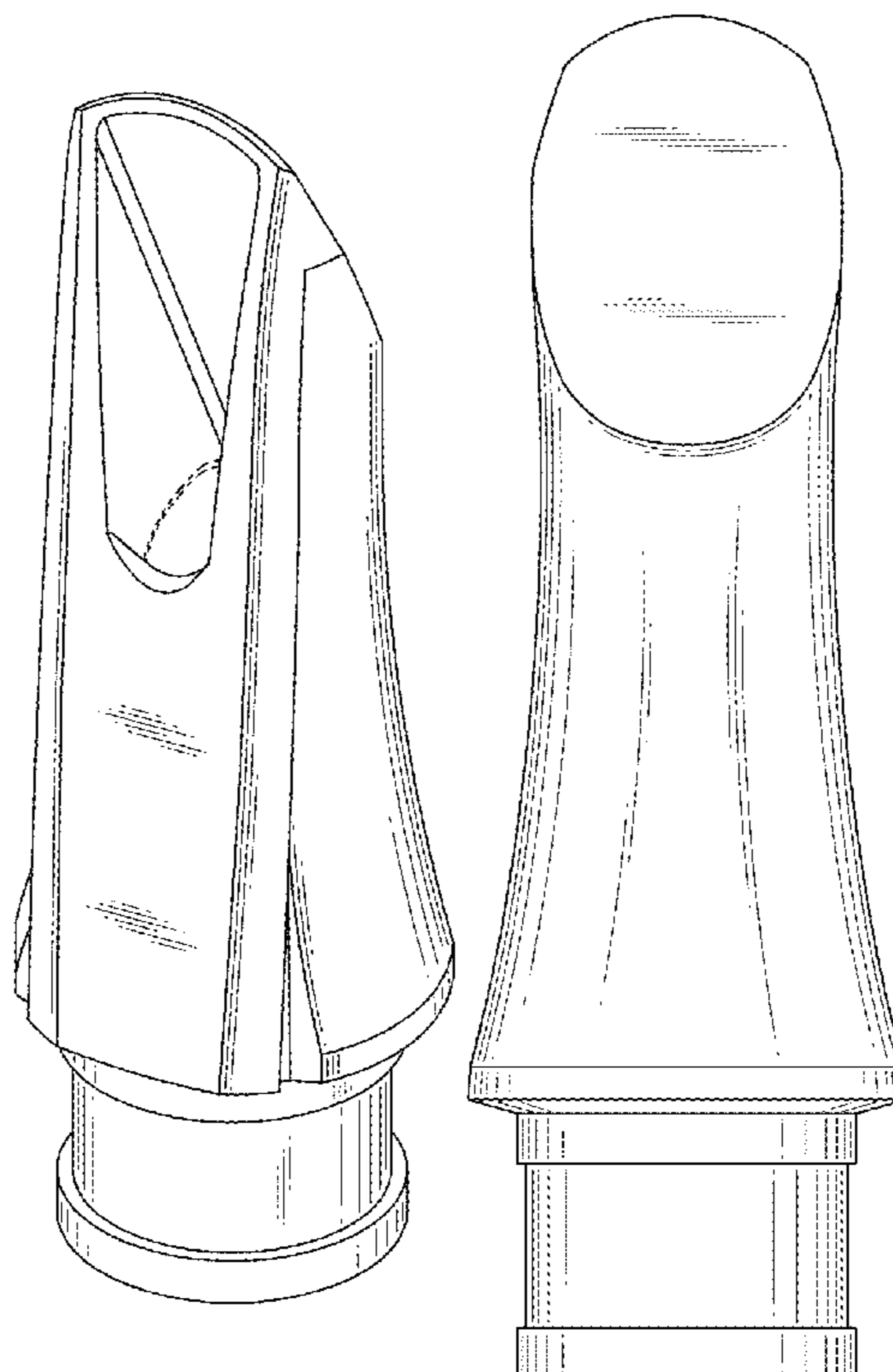
(57) **CLAIM**

The ornamental design for a clarinet mouthpiece, as shown and described.

**DESCRIPTION**

FIG. 1 is a front perspective view of a clarinet mouthpiece showing our new design;  
 FIG. 2 is a front view thereof;  
 FIG. 3 is a rear view thereof;  
 FIG. 4 is a left side view thereof;  
 FIG. 5 is a right side view thereof;  
 FIG. 6 is a top plan view thereof; and,  
 FIG. 7 is a bottom plan view thereof.  
 The portions of the clarinet mouthpiece shown in broken lines form no part of the claimed design.

**1 Claim, 6 Drawing Sheets**



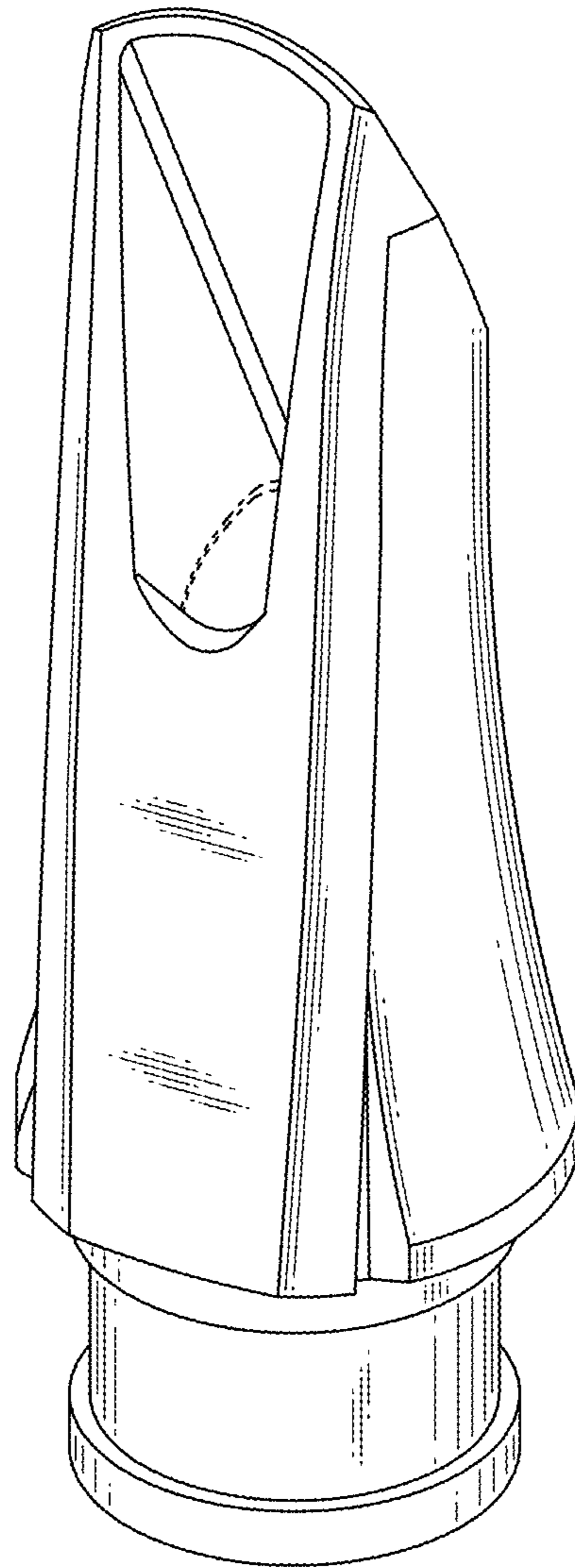


FIG. 1

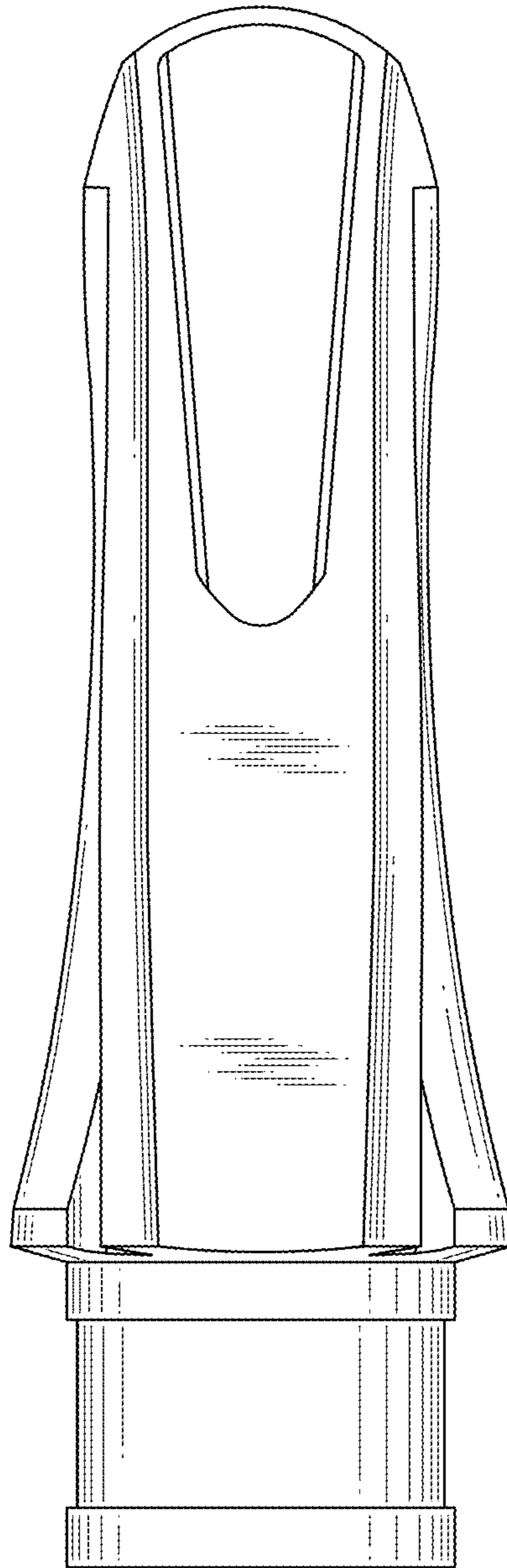


FIG. 2

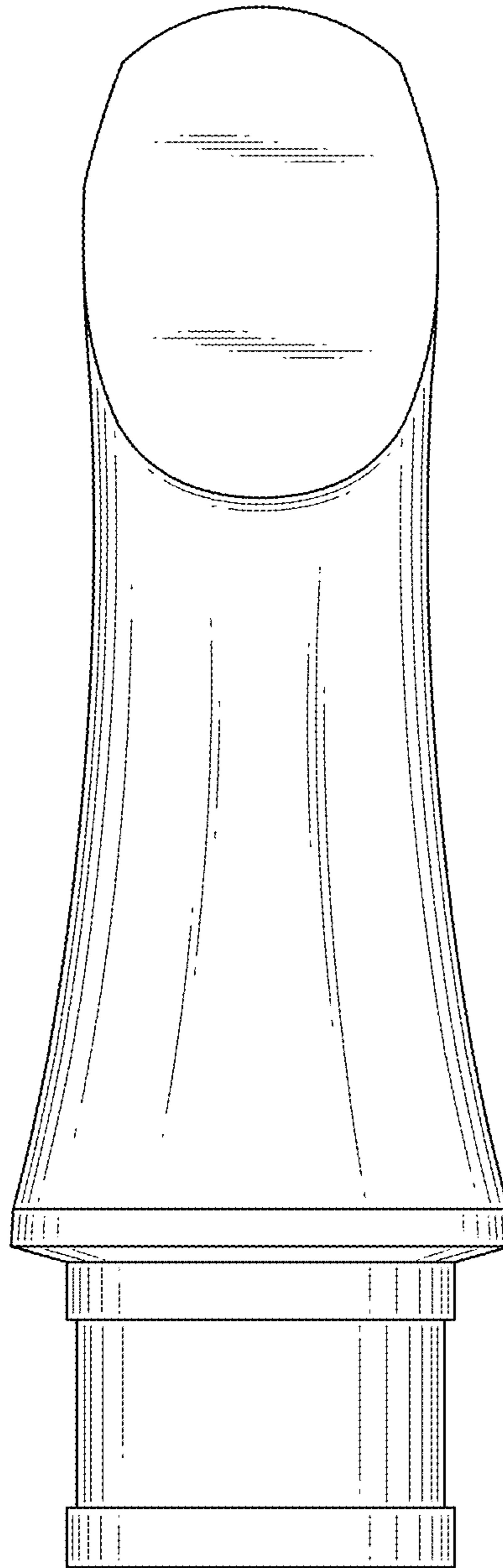


FIG. 3

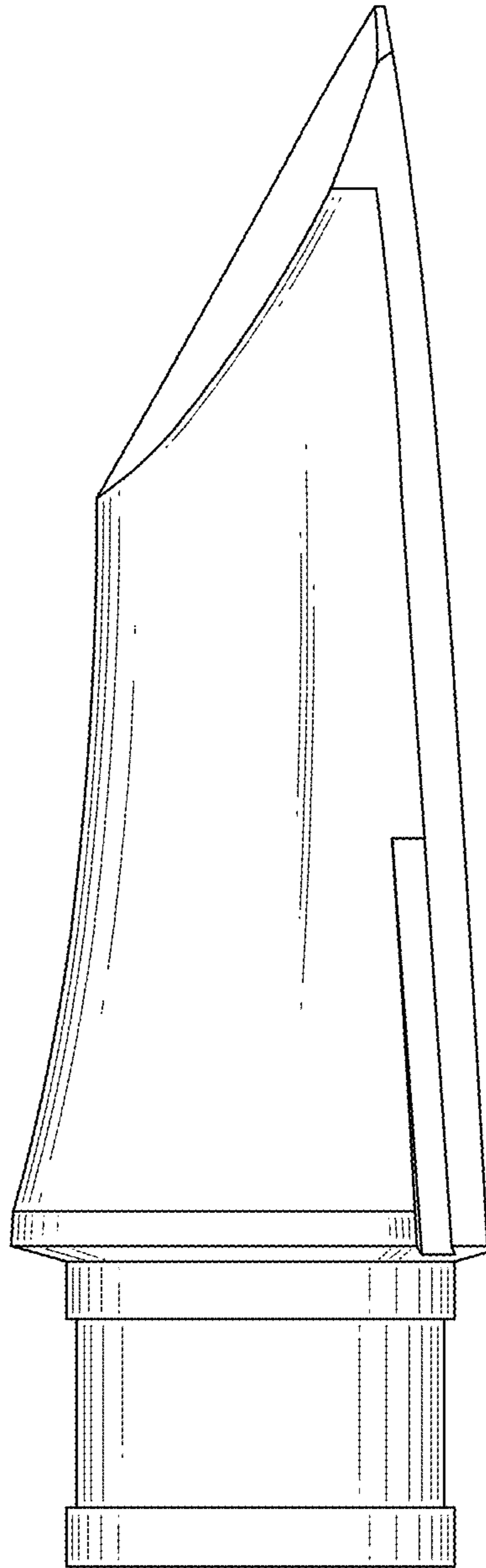


FIG. 4

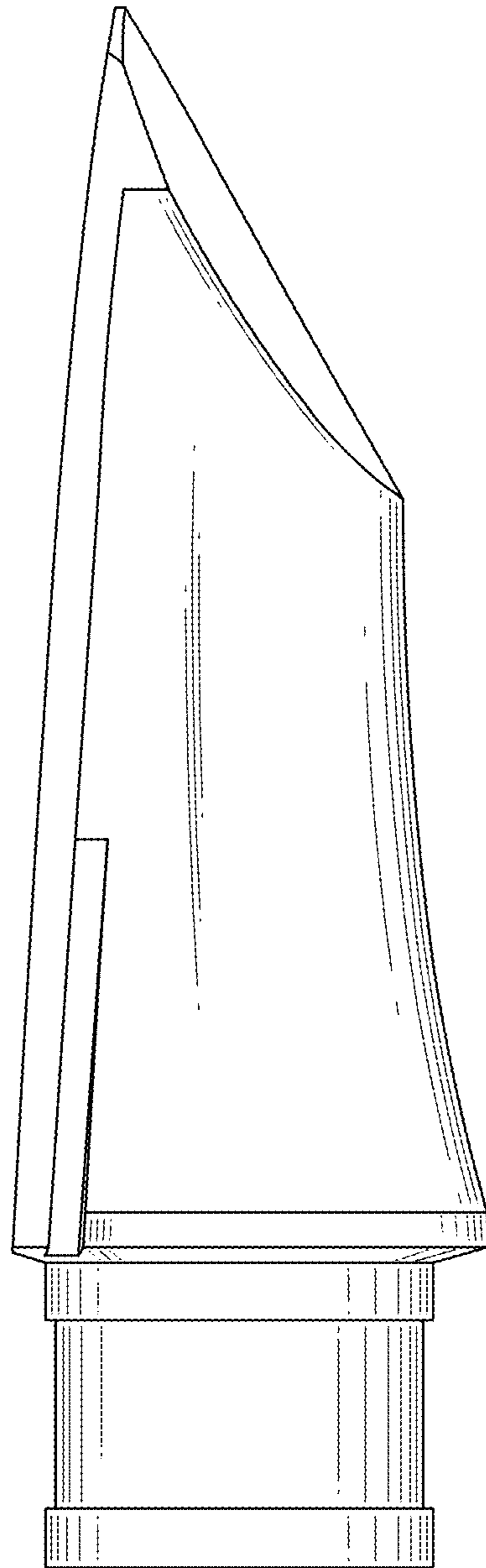


FIG. 5

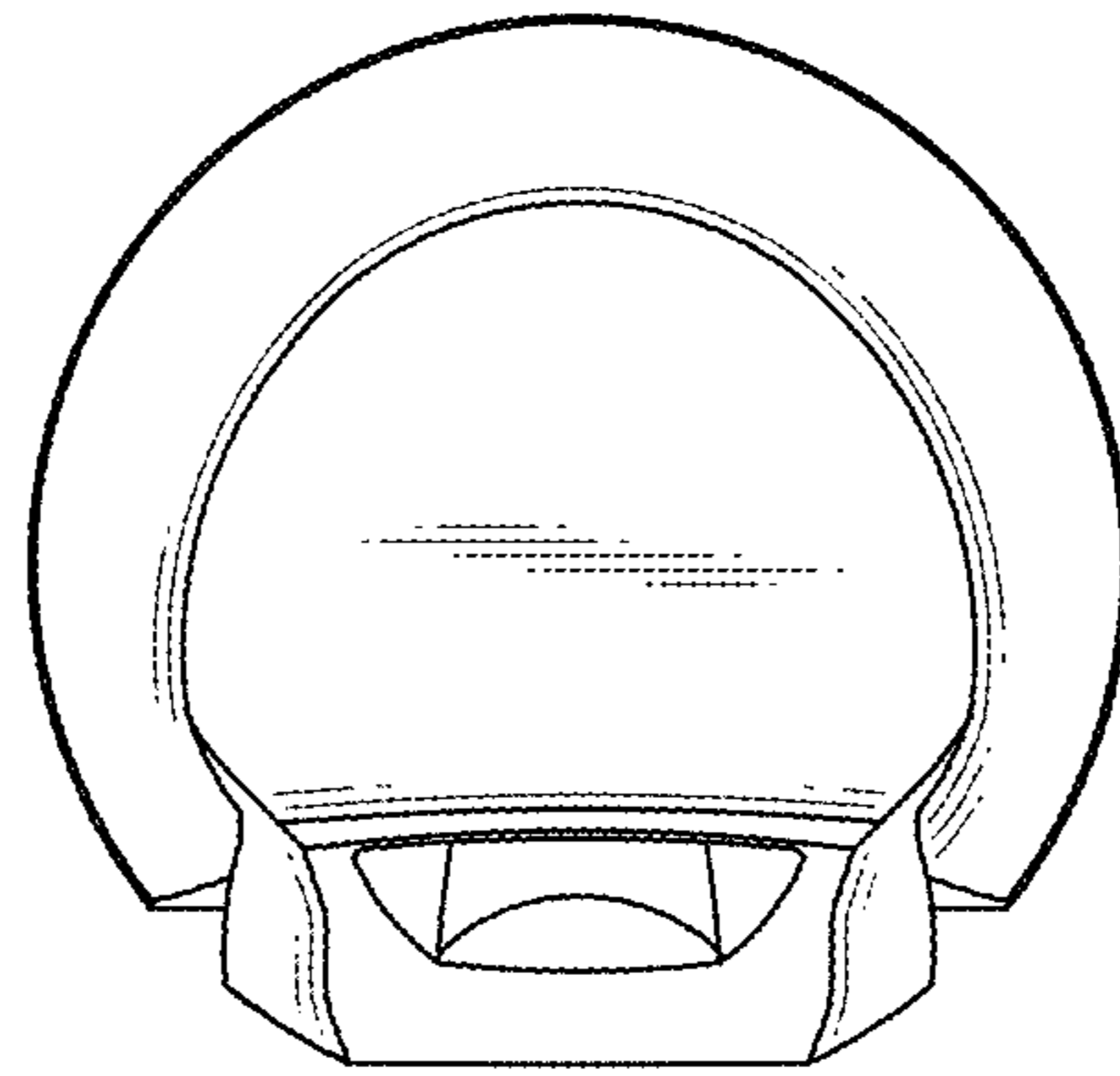


FIG. 6

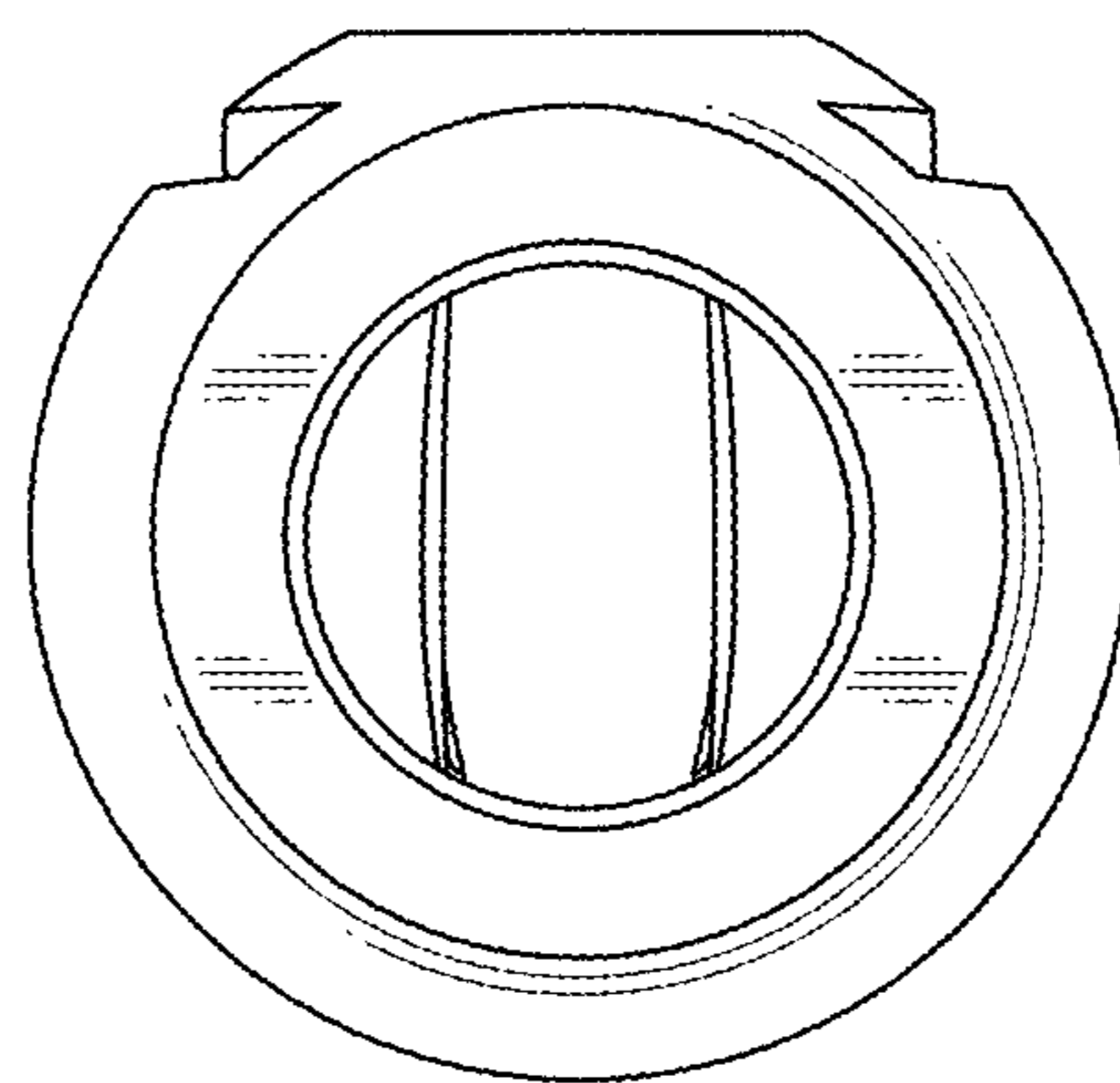


FIG. 7