



US00D938513S

(12) **United States Design Patent** (10) **Patent No.:** **US D938,513 S**  
**Sun** (45) **Date of Patent:** **\*\* Dec. 14, 2021**

(54) **WIND CHIME**

(71) Applicant: **Yichun Sun**, Ganzhou (CN)

(72) Inventor: **Yichun Sun**, Ganzhou (CN)

(\*\*) Term: **15 Years**

(21) Appl. No.: **29/775,269**

(22) Filed: **Mar. 22, 2021**

(51) **LOC (13) Cl.** ..... **17-02**

(52) **U.S. Cl.**  
USPC ..... **D17/10; D10/118.1**

(58) **Field of Classification Search**  
USPC ..... D17/10, 13, 99; D21/405, 411;  
D10/116.1, 118.1, 118.2  
CPC ..... G10D 7/00; G10D 7/026; G10D 7/12;  
G10K 1/00; G10K 1/066  
See application file for complete search history.

(56) **References Cited**

**U.S. PATENT DOCUMENTS**

D279,873	S	*	7/1985	Neely	.....	D10/116.1
D332,924	S	*	2/1993	Schutze	.....	D10/118
5,452,638	A	*	9/1995	Yancy	.....	G10K 1/072
						116/141
D414,283	S	*	9/1999	Gibson	.....	D26/10
D551,108	S		9/2007	Gerardis		
D746,901	S	*	1/2016	Nibbe	.....	D17/22
D910,472	S		2/2021	Xu		
2007/0175315	A1	*	8/2007	Maeng	.....	G10K 1/07
						84/402
2018/0174558	A1	*	6/2018	Finigan	.....	F21V 23/0471

**OTHER PUBLICATIONS**

Amazon.com. [https://www.amazon.com/Sympathy-Memorial-Bereavement-Husband-Outside/dp/B09726XXNT/ref=sr\\_1\\_183?](https://www.amazon.com/Sympathy-Memorial-Bereavement-Husband-Outside/dp/B09726XXNT/ref=sr_1_183?)

crId=M2JJVI7XQY3S&dchild=1&keywords=wind+chimes&qid=1634860070&sr=8-183. "Sympathy Wind Chimes". Date Unknown: Viewed Oct. 2021 (Year: 2021).\*  
Amazon.com. [https://www.amazon.com/Auspicious-Outdoor-Clearance-Sympathy-Memorial/dp/B09F3VSRB4/ref=sr\\_1\\_2\\_sspa?crId=M2JJVI7XQY3S&dchild=1&keywords=wind+chimes&qid=1634859824&sr=8-2-spons&psc=1&spLa=ZW5jenlwdGVkUXVhbGlmaWVyPUFuGOFVIWklwQIEyRDgmZW5jenlwdGVkSWQ9QTAWMzY1OTUxZW5jenlwdGVkUXVhbGlmaWVyPUFuGOFVIWklwQIEyRDgmZW5jenlwdGVkSWQ9QTAWMzY1OTUxMII0S0xBSzY4WFRGJmVuY3J5cHRlZEFkSWQ9QTAYODczNzUyOUU0NTJOU09QWVI4JndpZGdldE5hbWU9c3BfYXRmJmFjdGlvbj1jbGlja1JlZGlyZWNoJmRvTm90TG9nQ2xpY2s9dHJlZQ==](https://www.amazon.com/Auspicious-Outdoor-Clearance-Sympathy-Memorial/dp/B09F3VSRB4/ref=sr_1_2_sspa?crId=M2JJVI7XQY3S&dchild=1&keywords=wind+chimes&qid=1634859824&sr=8-2-spons&psc=1&spLa=ZW5jenlwdGVkUXVhbGlmaWVyPUFuGOFVIWklwQIEyRDgmZW5jenlwdGVkSWQ9QTAWMzY1OTUxZW5jenlwdGVkUXVhbGlmaWVyPUFuGOFVIWklwQIEyRDgmZW5jenlwdGVkSWQ9QTAWMzY1OTUxMII0S0xBSzY4WFRGJmVuY3J5cHRlZEFkSWQ9QTAYODczNzUyOUU0NTJOU09QWVI4JndpZGdldE5hbWU9c3BfYXRmJmFjdGlvbj1jbGlja1JlZGlyZWNoJmRvTm90TG9nQ2xpY2s9dHJlZQ==). "Snveod Feng Shui Wind Chimes with Auspicious Clouds". Date Unknown: Viewed 2021 (Year: 2021).\*

\* cited by examiner

*Primary Examiner* — R. Johnson

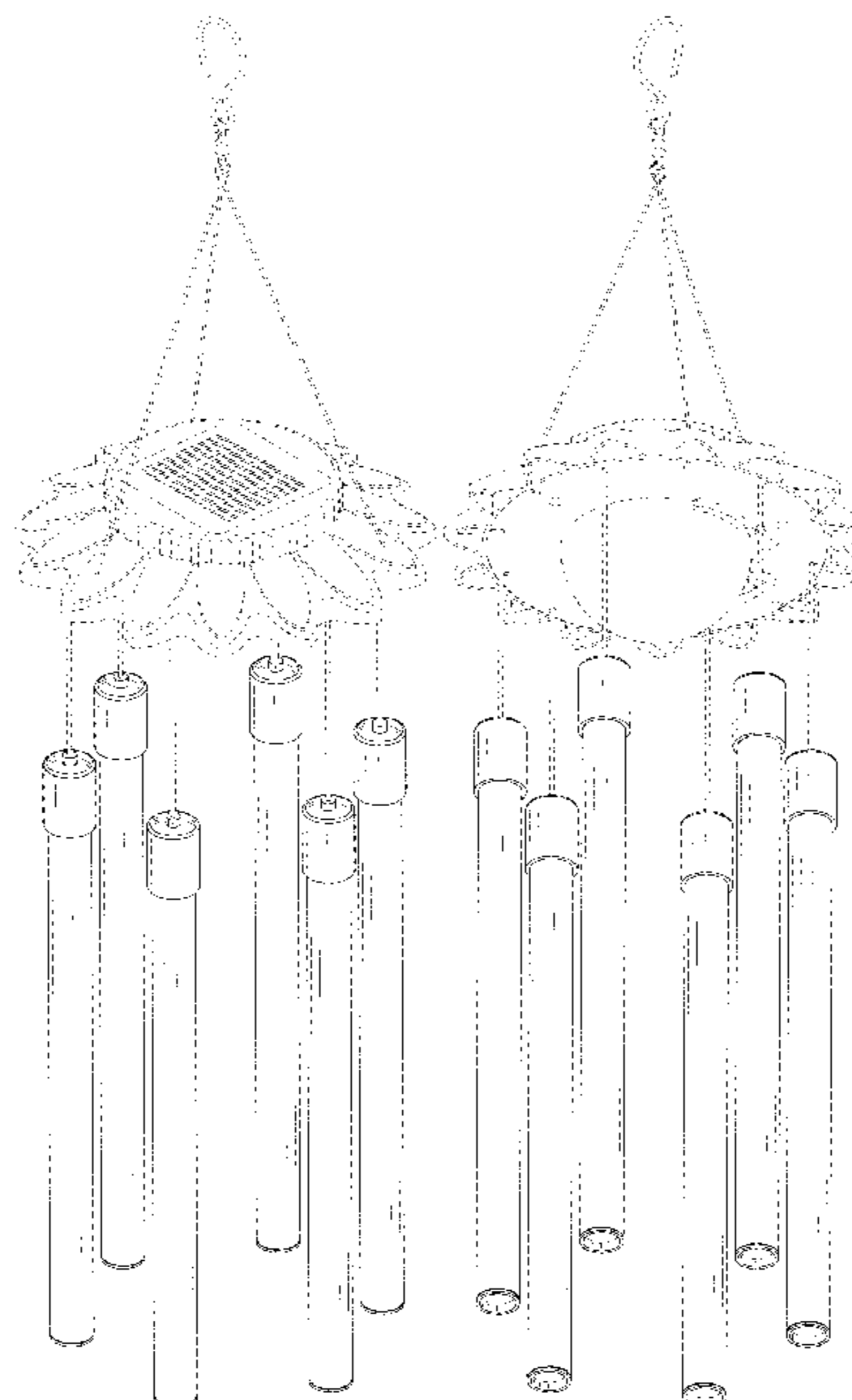
(57) **CLAIM**

The ornamental design for a wind chime, as shown and described.

**DESCRIPTION**

FIG. 1 is a perspective view of a wind chime showing my new design;  
FIG. 2 is another perspective view thereof;  
FIG. 3 is a front elevational view thereof;  
FIG. 4 is a rear elevational view thereof;  
FIG. 5 is a left side elevational view thereof;  
FIG. 6 is a right side elevational view thereof;  
FIG. 7 is a top plan view thereof; and,  
FIG. 8 is a bottom plan view thereof.  
The broken lines in the drawings depict portions of the wind chime that form no part of the claimed design.

**1 Claim, 8 Drawing Sheets**



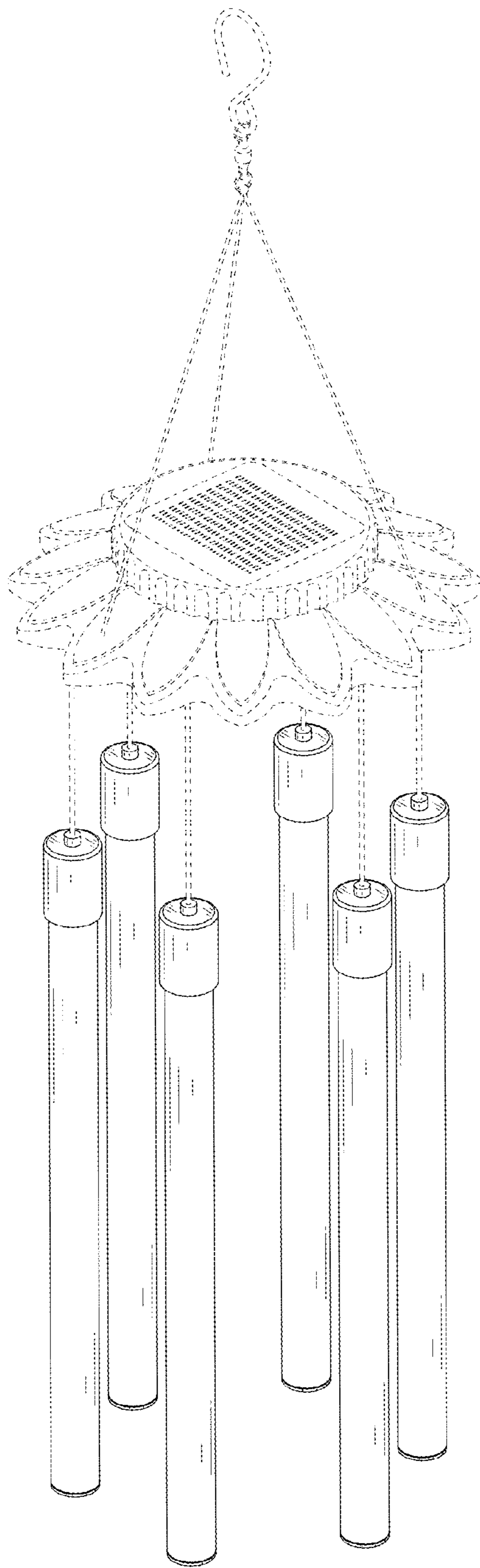


FIG. 1

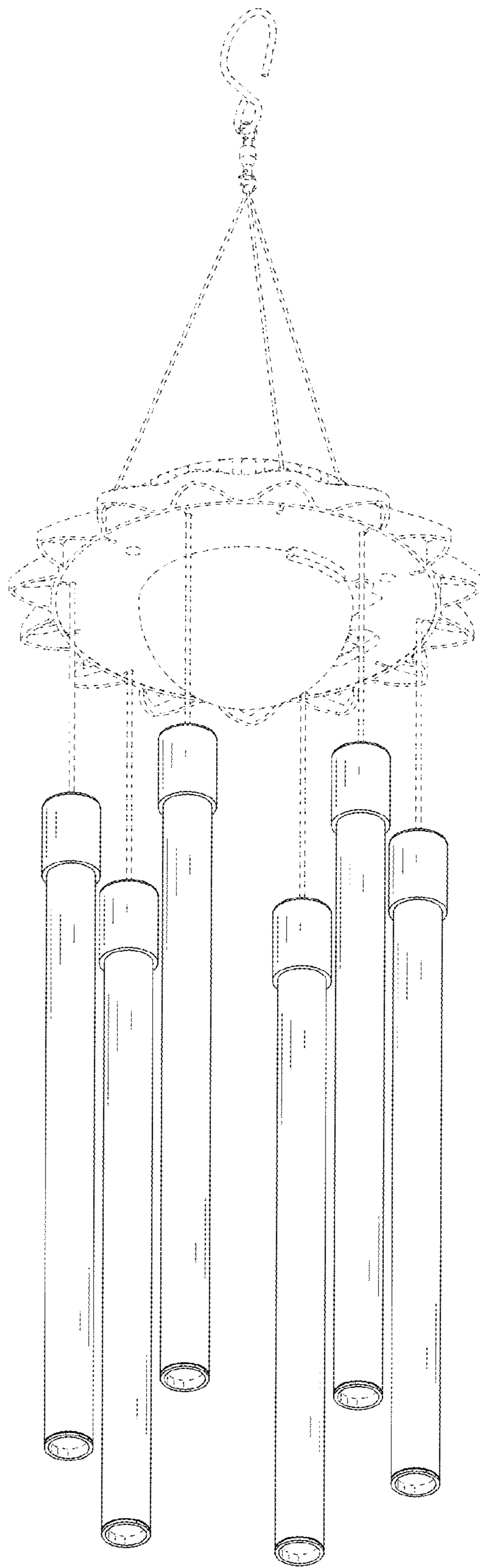


FIG. 2

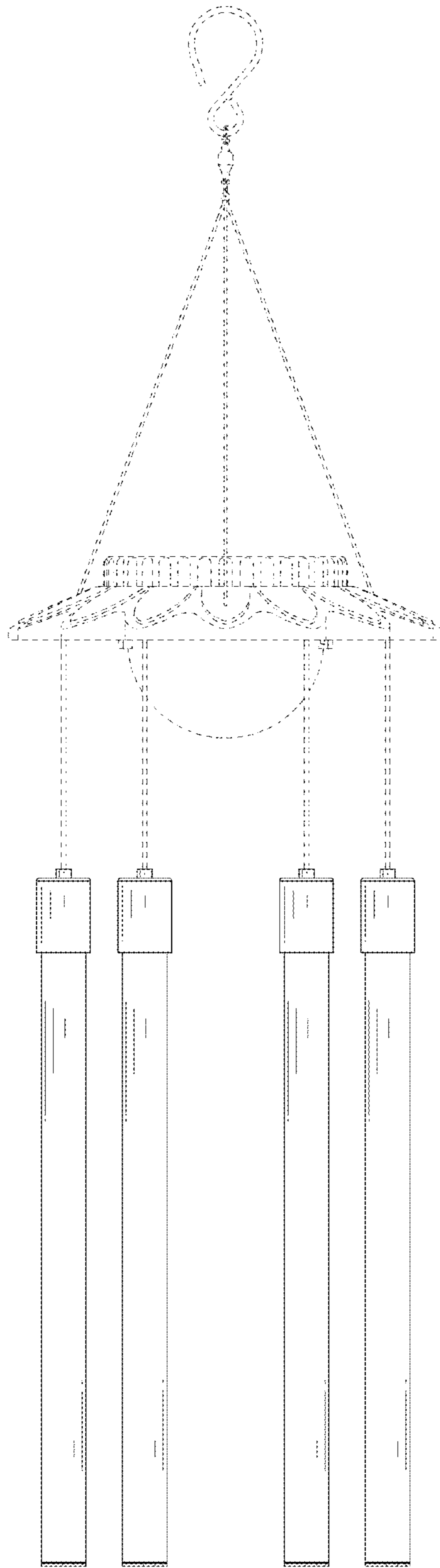


FIG. 3

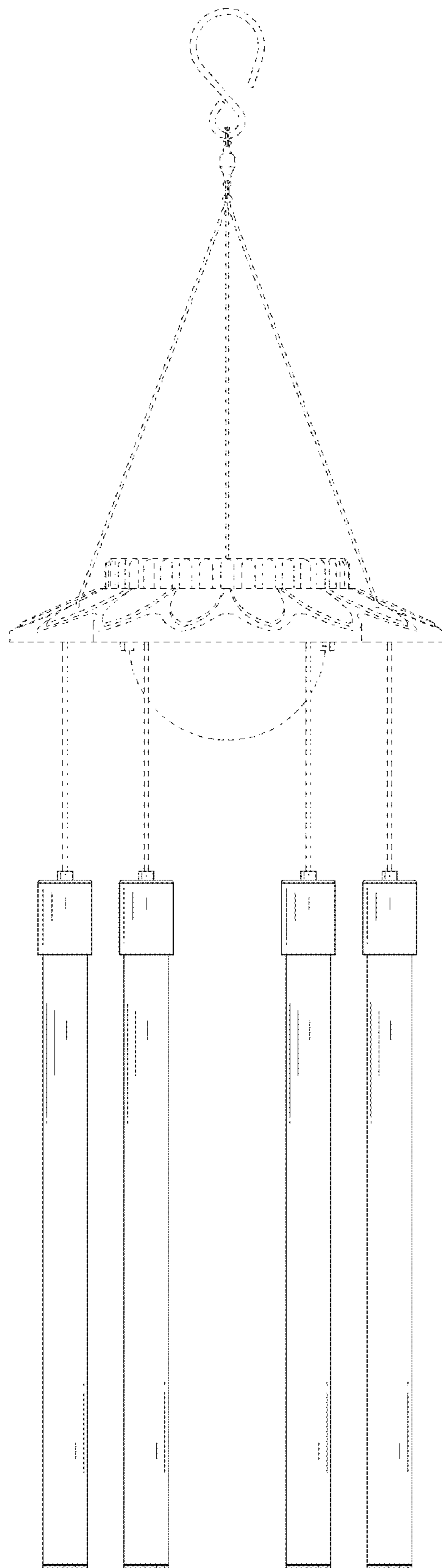


FIG. 4

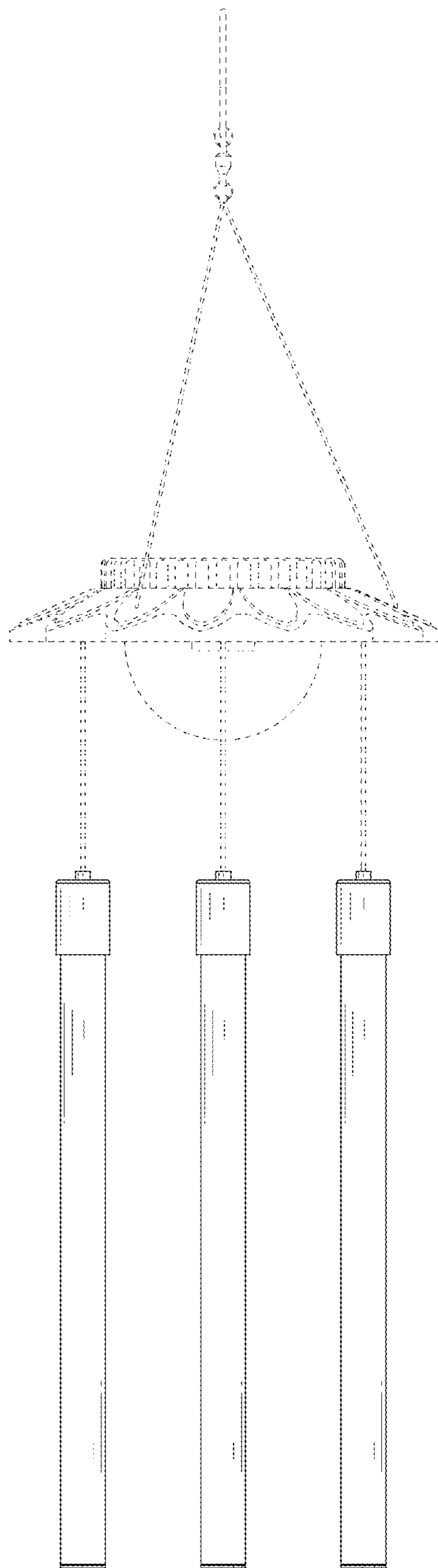


FIG. 5



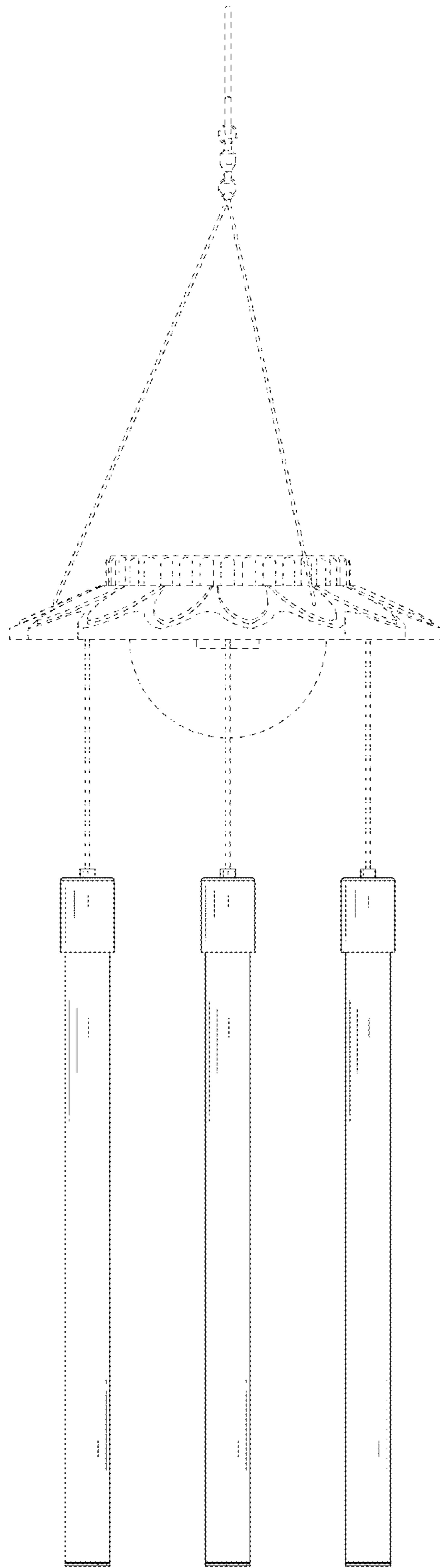


FIG. 6

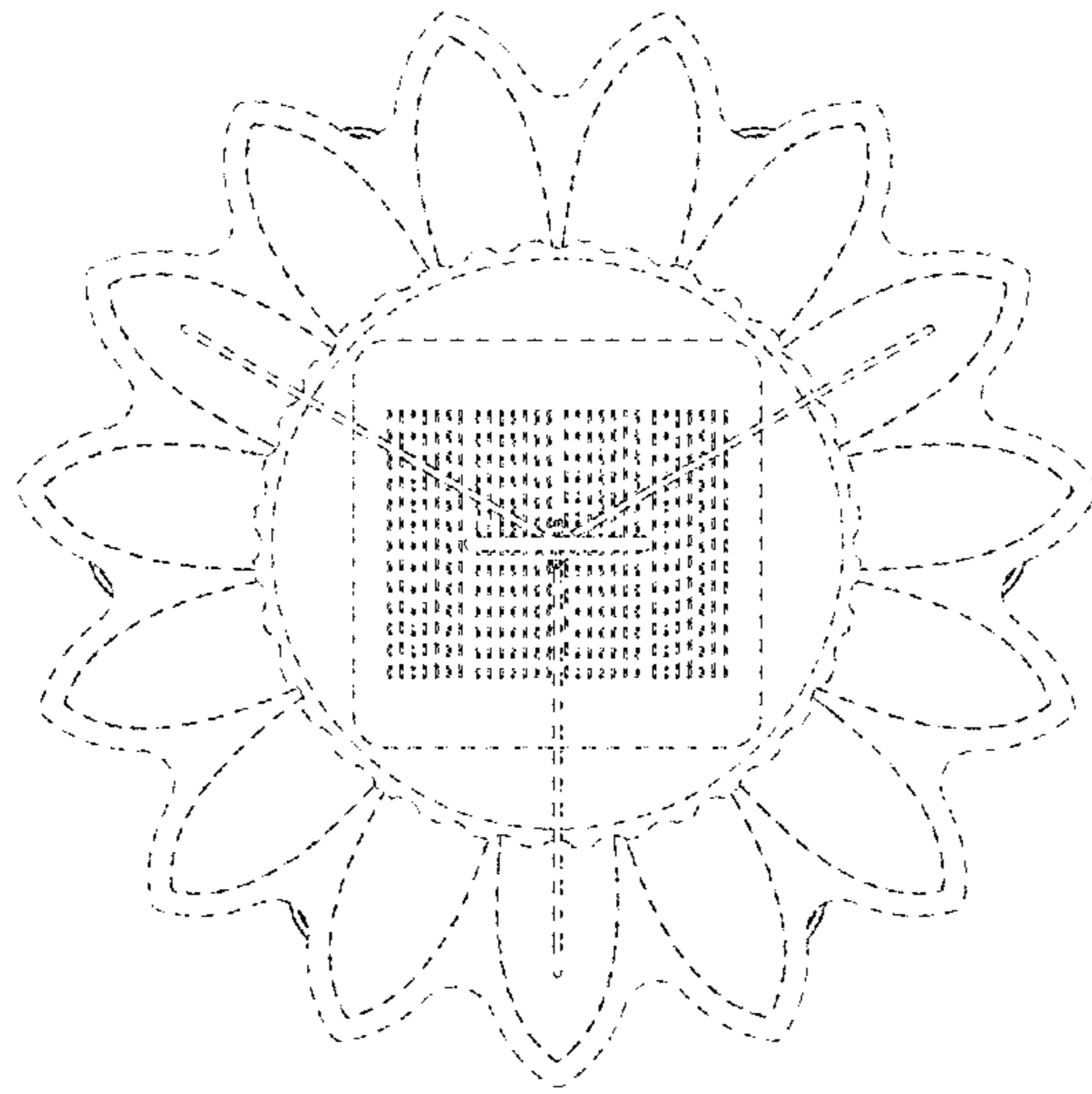


FIG. 7



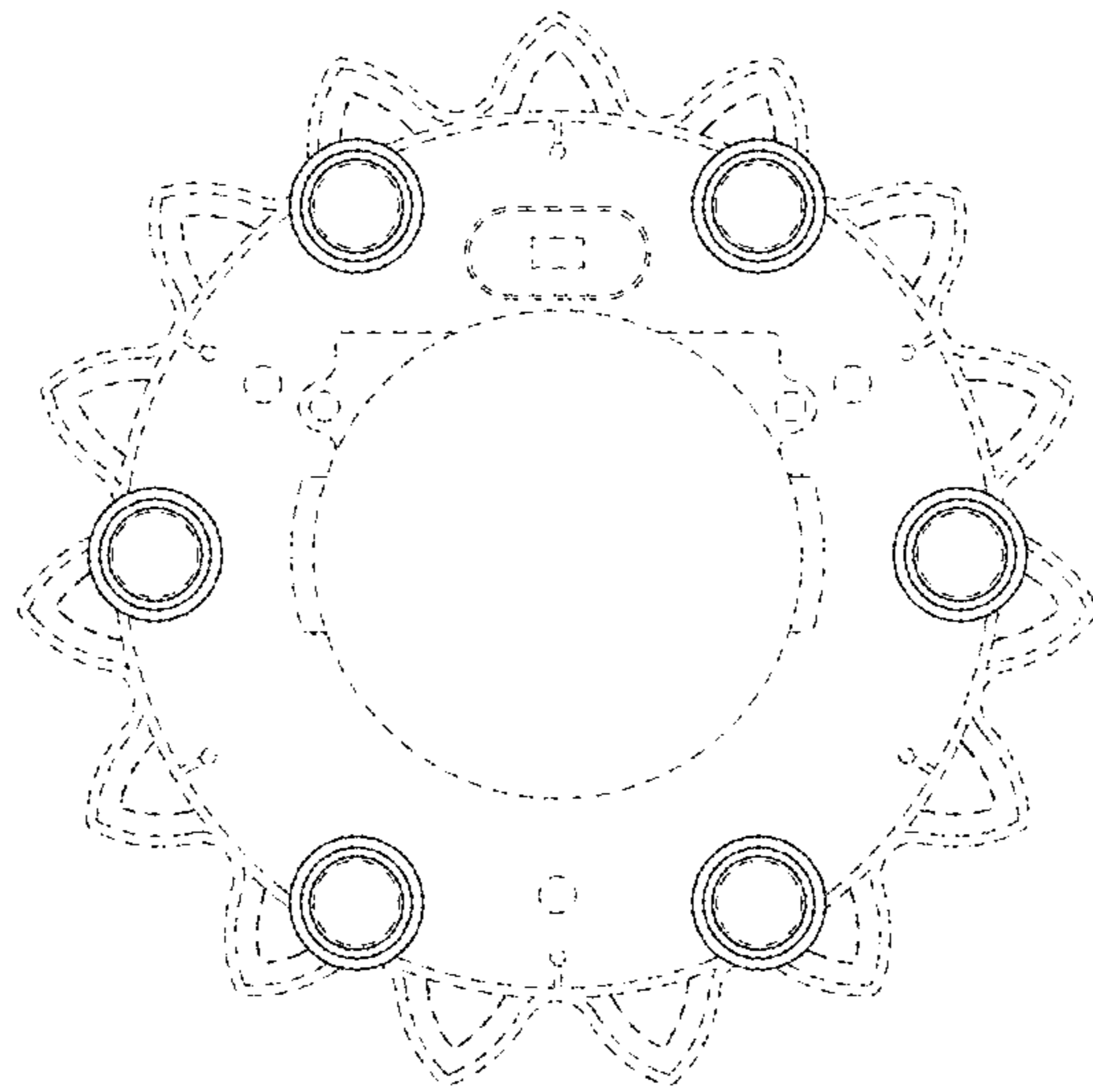


FIG. 8