



US00D938510S

(12) **United States Design Patent** (10) **Patent No.:** **US D938,510 S**  
**Xu** (45) **Date of Patent:** **\*\* Dec. 14, 2021**

(54) **COLLAPSIBLE SOFTBOX WITH FOLDING SUPPORTS AND TUBE LOCKS**

(71) Applicant: **Ye Xu**, Sugar Land, TX (US)

(72) Inventor: **Ye Xu**, Sugar Land, TX (US)

(\*\*) Term: **15 Years**

(21) Appl. No.: **29/700,544**

(22) Filed: **Aug. 2, 2019**

(51) **LOC (13) Cl.** ..... **16-05**

(52) **U.S. Cl.**

USPC ..... **D16/237**

(58) **Field of Classification Search**

USPC ..... D16/219, 237-250; D8/354, 355, 363, D8/373, 382-383, 394-396; D14/224, D14/229, 238, 251, 253, 447, 451, 457

(Continued)

(56) **References Cited**

**U.S. PATENT DOCUMENTS**

D641,100 S \* 7/2011 Li ..... D26/118  
D641,970 S \* 7/2011 Xu ..... D3/203.2

(Continued)

**OTHER PUBLICATIONS**

Kamerar D-Fuse Trapezoid LED Light Panel Softbox: 11.5"x11.5" Opening, Foldable Portable Light Diffuser. [online] First available Sep. 5, 2019. Retrieved from URL: <https://www.amazon.com/Kamerar-D-Fuse-Trapezoid-Light-Softbox/dp/B07XH4RD27>.\*

(Continued)

*Primary Examiner* — Vy N Koenig

(74) *Attorney, Agent, or Firm* — Benjamin Aaron Adler

(57) **CLAIM**

The ornamental design for a collapsible softbox with folding supports and tube locks, as shown and described.

**DESCRIPTION**

FIG. 1 is a perspective front, top and right side view of the collapsible softbox with folding supports and tube locks shown not collapsed with the folding support unfolded and the tube lock in a locked position around the folding support, the perspective front, bottom and left side view of the collapsible softbox with folding supports and tube locks being a mirror image of the perspective front, top and right side.

FIG. 2 is a perspective back, top and right side view of the collapsible softbox with folding supports and tube locks shown not collapsed with the folding supports unfolded and the tube lock in a locked position around the folding supports, the perspective back, bottom and left side view of the collapsible softbox with folding supports and tube locks being a mirror image of the perspective back, top and right side view.

FIG. 3 is a perspective back, top and right side view of the collapsible softbox with folding supports and tube locks shown collapsed with the folding supports in a folded position and the tube lock in an unlocked position, the perspective back, bottom and left side view of the collapsible softbox with folding supports and tube locks being a mirror image of the perspective back, top and right side view.

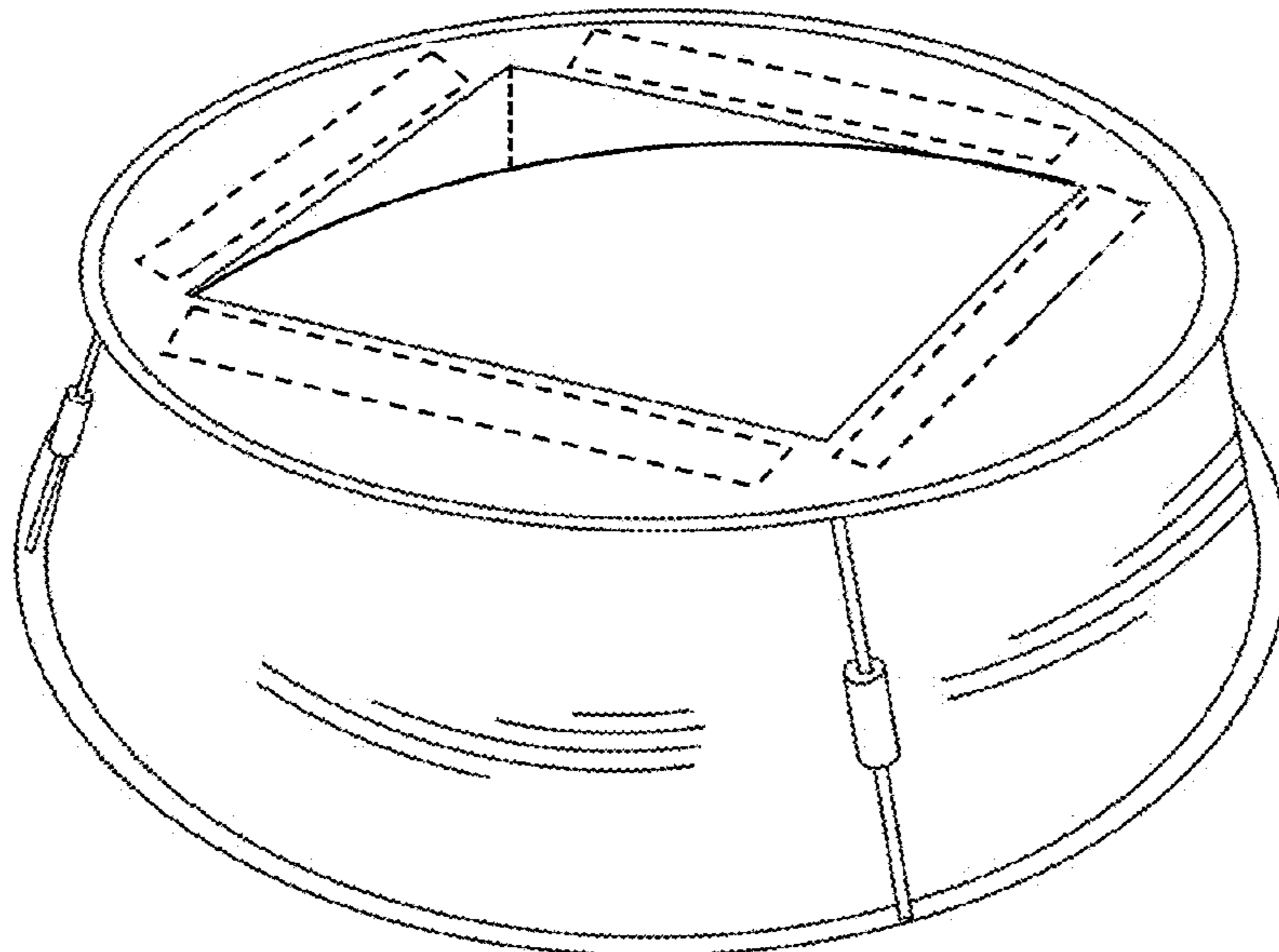
FIG. 4 is a front view of the collapsible softbox with folding supports and tube locks.

FIG. 5 is a back view of the collapsible softbox with folding supports and tube locks shown not collapsed with the folding supports unfolded and the tube lock in a locked position around the folding supports; and,

FIG. 6 is a back view of the collapsible softbox with folding supports and tube locks shown collapsed with the folding supports in a folded position and the tube lock in an unlocked position.

The broken lines in the drawings depict portions of the collapsible softbox with folding supports and tube locks that form no part of the claimed design.

**1 Claim, 6 Drawing Sheets**



(58) **Field of Classification Search**

CPC ..... F16M 11/06-10; F16M 11/14; G02B  
7/00-002; G03B 17/56; G03B  
17/561-566; H04N 5/2253-2254  
See application file for complete search history.

(56) **References Cited**

U.S. PATENT DOCUMENTS

7,978,971 B1 \* 7/2011 Honl ..... G03B 15/02  
396/198  
D698,849 S \* 2/2014 Li ..... D16/237  
8,678,601 B2 \* 3/2014 Morris ..... G03B 15/02  
362/17  
D801,414 S \* 10/2017 Martin ..... D16/242  
10,203,083 B2 \* 2/2019 Lin ..... F21V 7/00  
D869,543 S \* 12/2019 Meraz ..... D16/237  
D879,184 S \* 3/2020 Fissell ..... D16/237  
D888,811 S \* 6/2020 Chen ..... D16/237

OTHER PUBLICATIONS

Neewer Collapsible Softbox Diffuser Compatible with Neewer  
480/660/530 LED Light Panels . . . [online] First available Mar. 9,  
2020. Retrieved from URL: [https://www.amazon.com/Neewer-Collapsible-Compatible-11-5x11-5inches-Attachment/dp/B085Q3PC66/ref=psdc\\_14014901\\_t2\\_B07XH4RD27](https://www.amazon.com/Neewer-Collapsible-Compatible-11-5x11-5inches-Attachment/dp/B085Q3PC66/ref=psdc_14014901_t2_B07XH4RD27).\*

\* cited by examiner

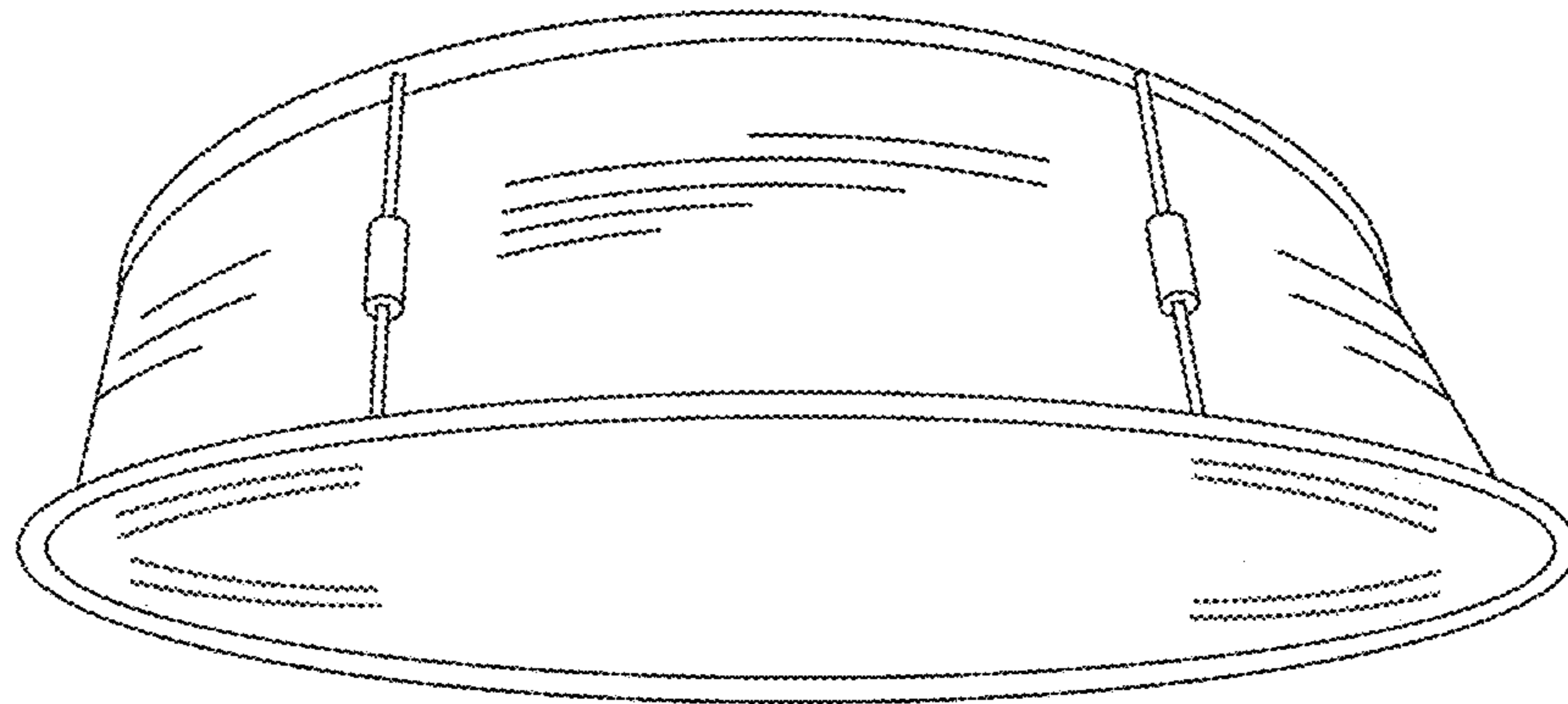


FIG. 1

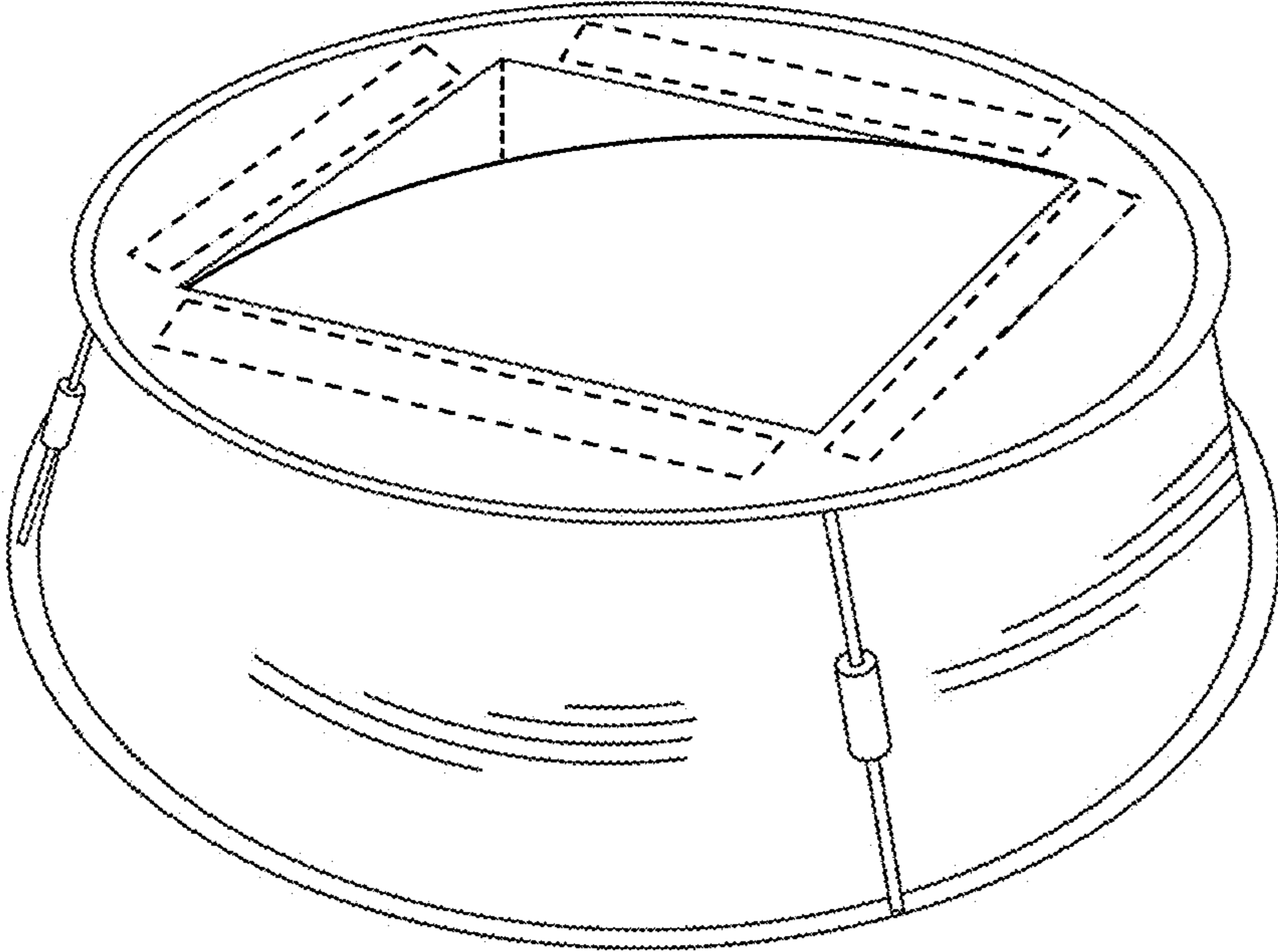


FIG. 2

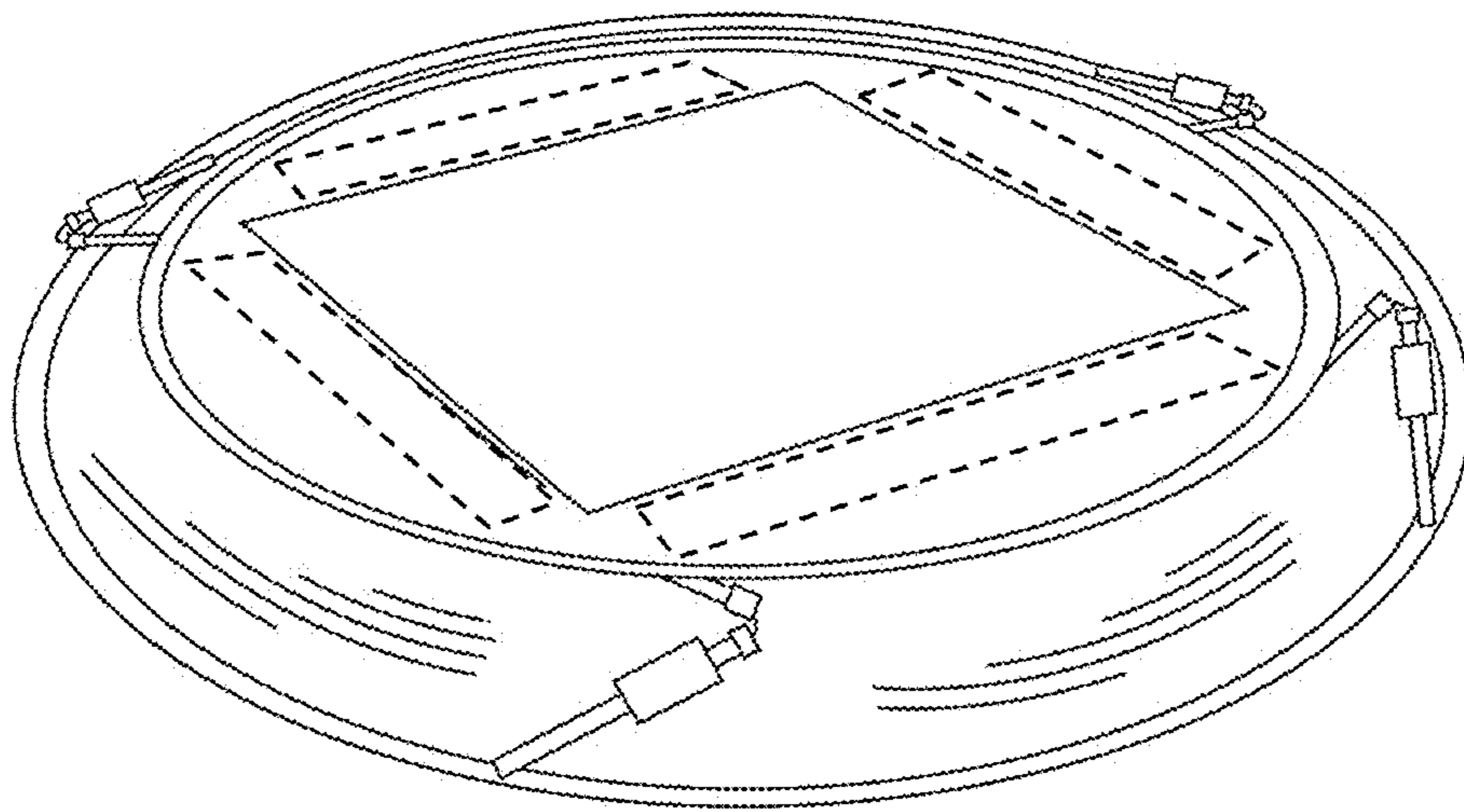


FIG. 3

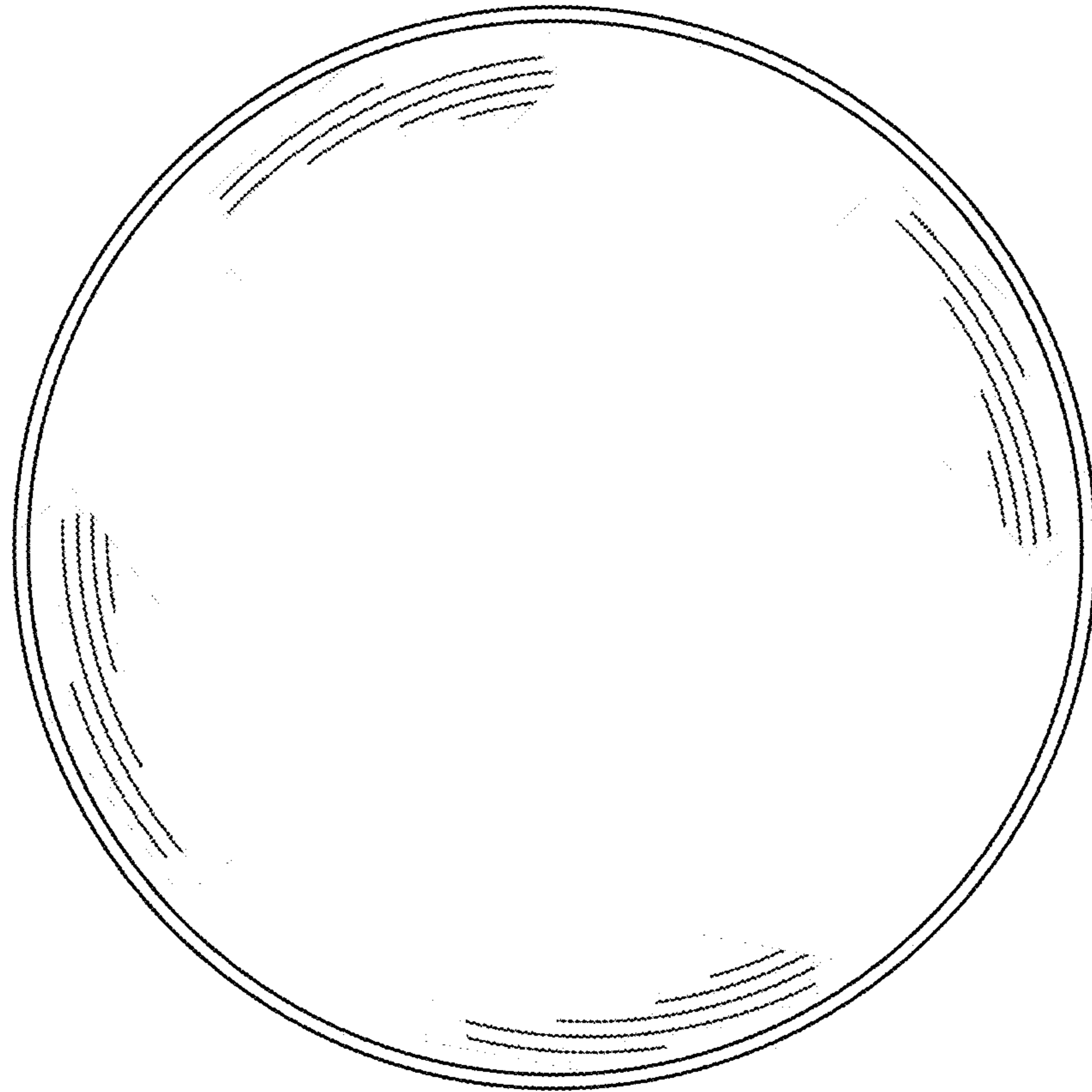


FIG. 4

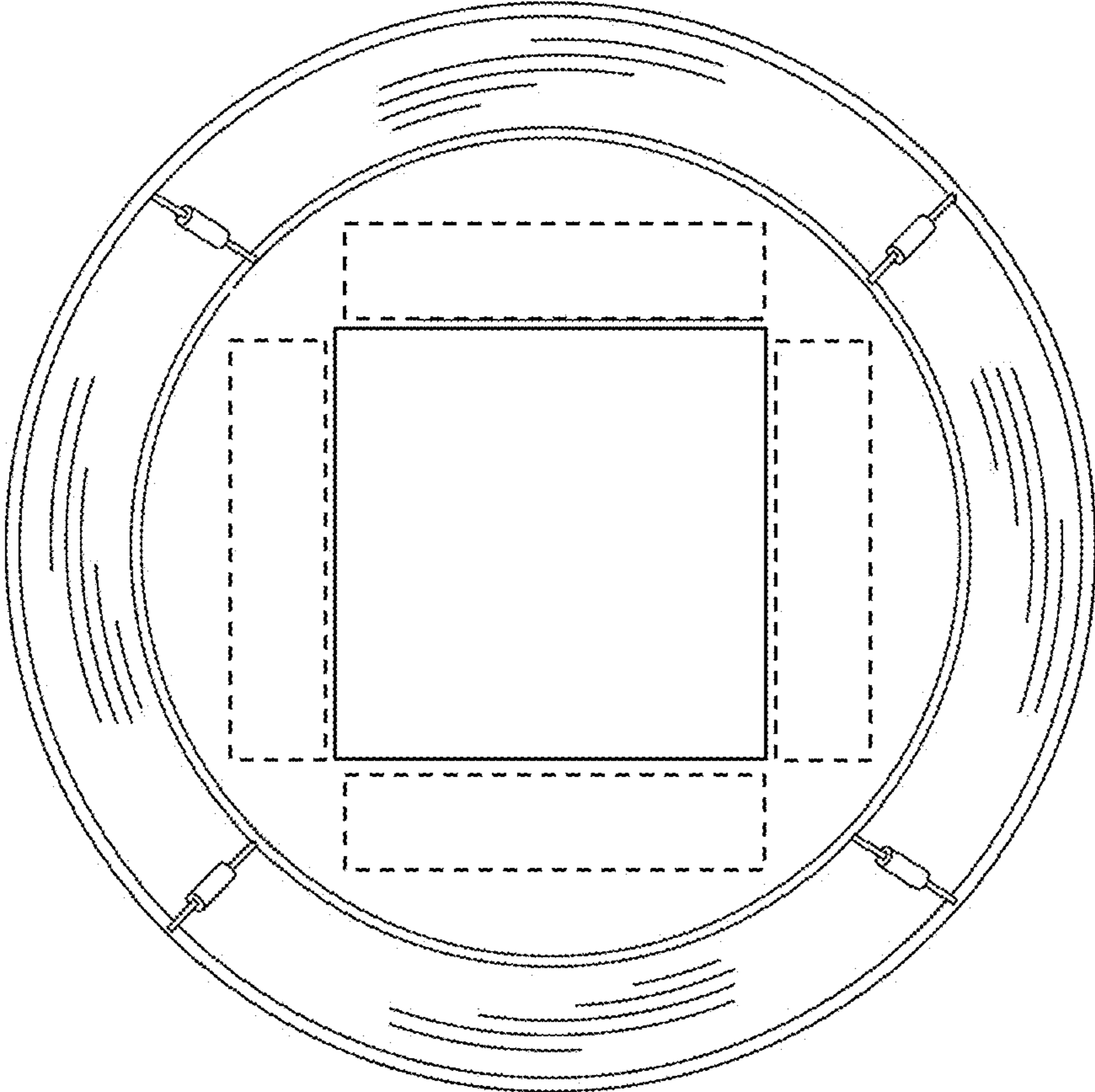


FIG. 5

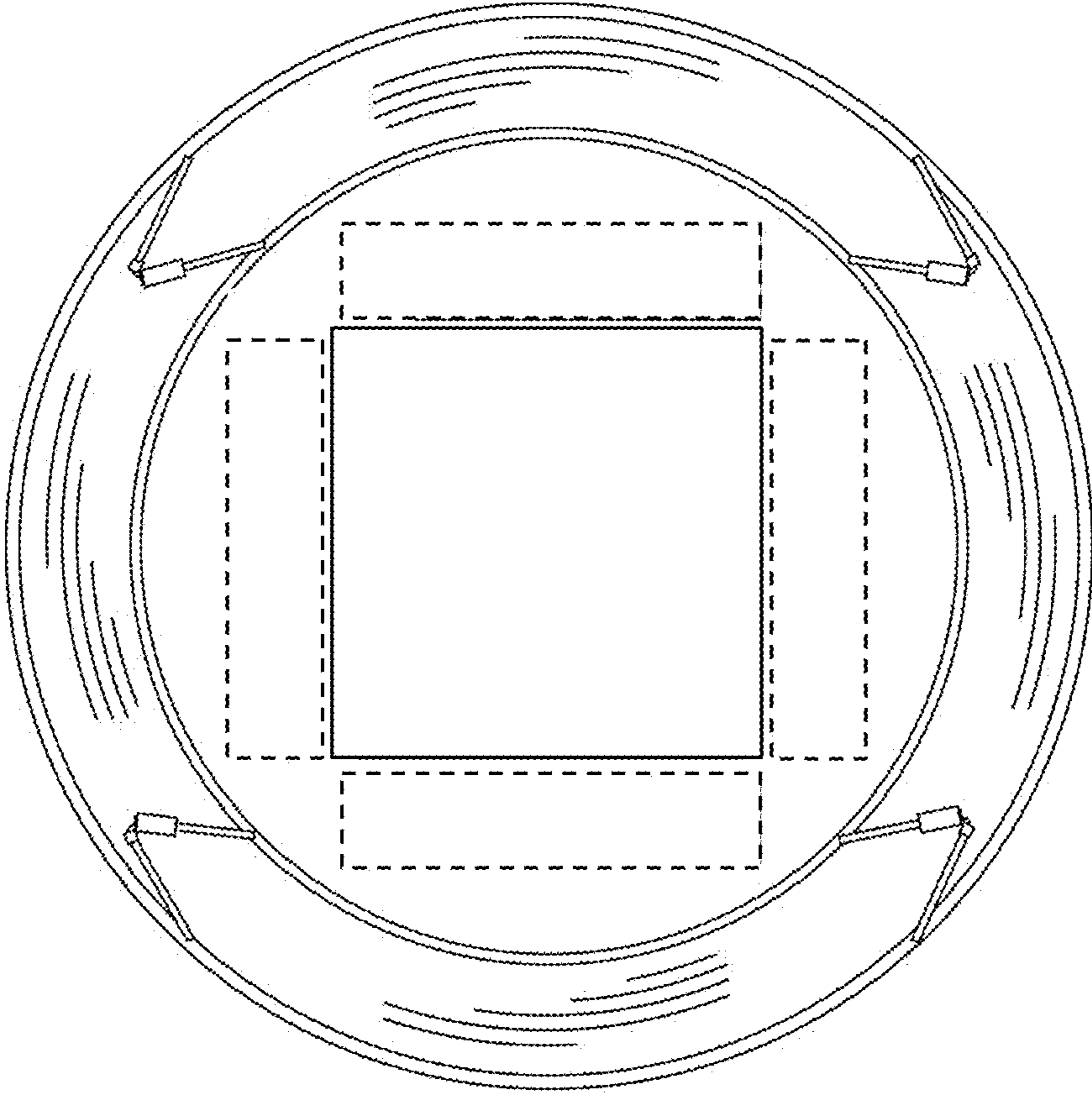


FIG. 6