



US00D938509S

(12) **United States Design Patent** (10) **Patent No.:** **US D938,509 S**  
**Chen et al.** (45) **Date of Patent:** **\*\* Dec. 14, 2021**

(54) **PROJECTION MODULE**

FOREIGN PATENT DOCUMENTS

(71) Applicants: **Acer Incorporated**, New Taipei (TW);  
**Acer Gadget Inc.**, Taipei (TW)

KR 300848813.0000 \* 8/2015  
KR 3008645350000 7/2016  
KR 3009984520000 3/2019

(72) Inventors: **Chun-Yu Chen**, New Taipei (TW);  
**Ker-Wei Lin**, New Taipei (TW);  
**Chun-Ta Chen**, New Taipei (TW);  
**Hao-Ming Chang**, New Taipei (TW);  
**Li Lin**, New Taipei (TW); **Feng-Ming Liu**, Taipei (TW)

OTHER PUBLICATIONS

1080p Video Projector, Anker Nebula Cosms Full HD 1089p Home Entertainment Projector, 900 ANSI Lumens, Android TV 9.0, Digital Zoom, HLG, HDR10. Sep. 30, 2020. Retrieved Aug. 17, 2021. Retrieved from the internet: [https://www.amazon.com/Nebula-Entertainment-Projector-Android-Digital/dp/B08KFZN9YR/ref=asc\\_df\\_B08KFZN9YR/?tag=hyprod-20&linkCode=df...](https://www.amazon.com/Nebula-Entertainment-Projector-Android-Digital/dp/B08KFZN9YR/ref=asc_df_B08KFZN9YR/?tag=hyprod-20&linkCode=df...)\*

(73) Assignees: **Acer Incorporated**, New Taipei (TW);  
**Acer Gadget Inc.**, Taipei (TW)

*Primary Examiner* — Wan Laymon

(\*\*) Term: **15 Years**

(74) *Attorney, Agent, or Firm* — JCIPRNET

(21) Appl. No.: **29/736,256**

(57) **CLAIM**

(22) Filed: **May 29, 2020**

The ornamental design for a projection module, as shown and described.

(30) **Foreign Application Priority Data**

**DESCRIPTION**

Dec. 2, 2019 (TW) ..... 108307387

(51) **LOC (13) Cl.** ..... **16-02**

(52) **U.S. Cl.**  
USPC ..... **D16/230**; D16/221

(58) **Field of Classification Search**  
USPC ..... D16/221, 225, 230–231, 227, 234;  
D21/308, 362, 710, 714; D14/506,  
D14/508–509, 195, 204, 216; D32/21  
CPC .... G03B 21/00; G03B 21/001; G03B 21/003;  
G03B 21/12; G03B 21/14; G03B 21/145  
See application file for complete search history.

FIG. 1 is a perspective view of a projection module showing our new design;  
FIG. 2 is a front view thereof;  
FIG. 3 is a rear view thereof;  
FIG. 4 is a left side view thereof;  
FIG. 5 is a right side view thereof;  
FIG. 6 is a top view thereof;  
FIG. 7 is a bottom view thereof;  
FIG. 8 is a perspective view thereof showing the projection module mounted on an electronic device; and,  
FIG. 9 is a perspective view thereof showing the projection module detached from the electronic device.  
The dashed broken lines illustrate portions of the projection module that form no part of the claimed design. The dashed broken lines showing the electronic device in FIG. 8 and FIG. 9 are for the purpose of illustrating environmental structure, and form no part of the claimed design.

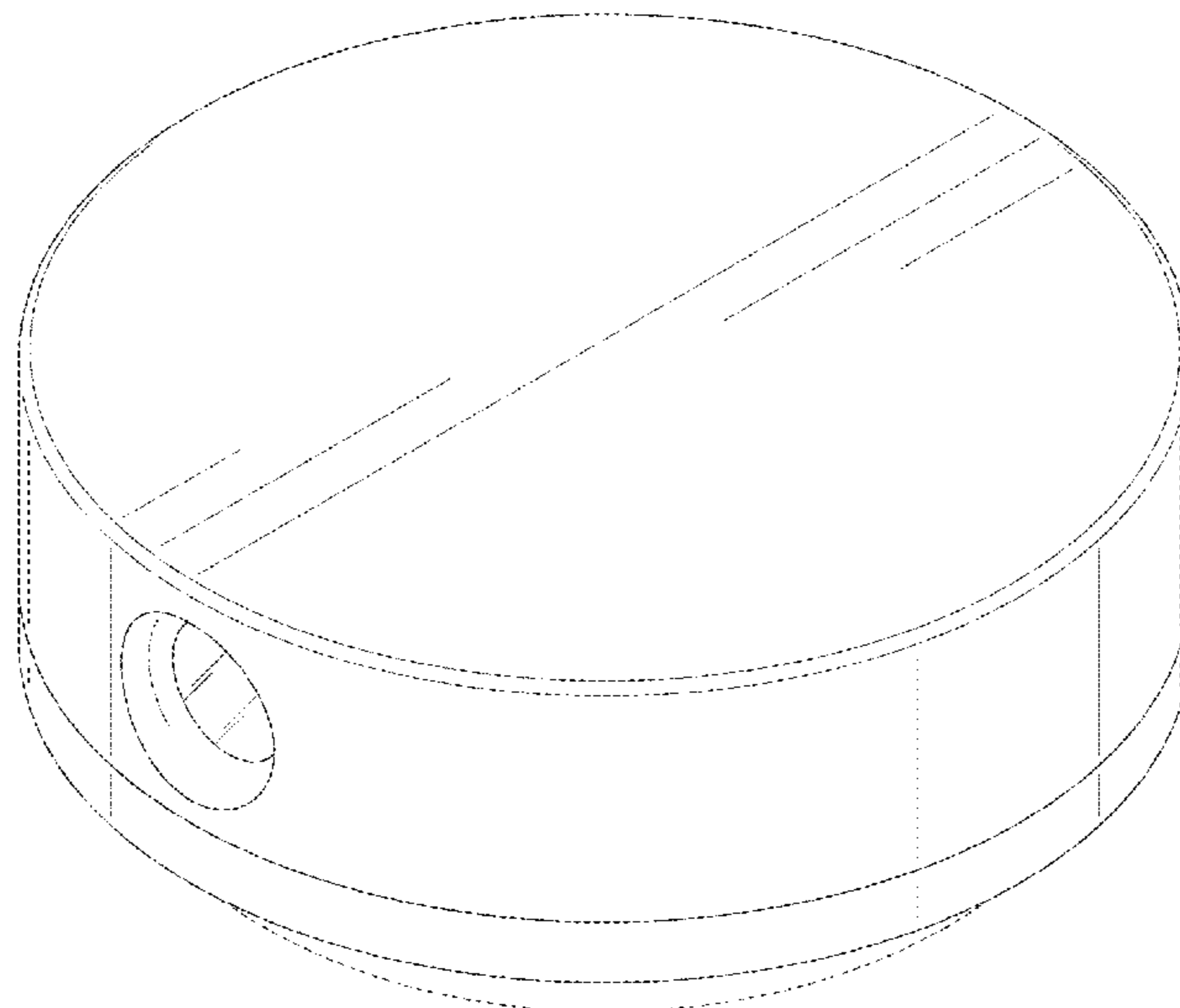
(56) **References Cited**

U.S. PATENT DOCUMENTS

D421,762 S \* 3/2000 Shirley ..... D16/227  
6,598,977 B1 \* 7/2003 Chen ..... G03B 21/14  
348/743  
D750,691 S \* 3/2016 Hu ..... D16/225

(Continued)

**1 Claim, 6 Drawing Sheets**



(56)

**References Cited**

U.S. PATENT DOCUMENTS

D865,034 S 10/2019 Cheng  
D870,797 S \* 12/2019 Lee ..... D16/230  
D875,166 S \* 2/2020 Beghelli ..... D16/230

\* cited by examiner

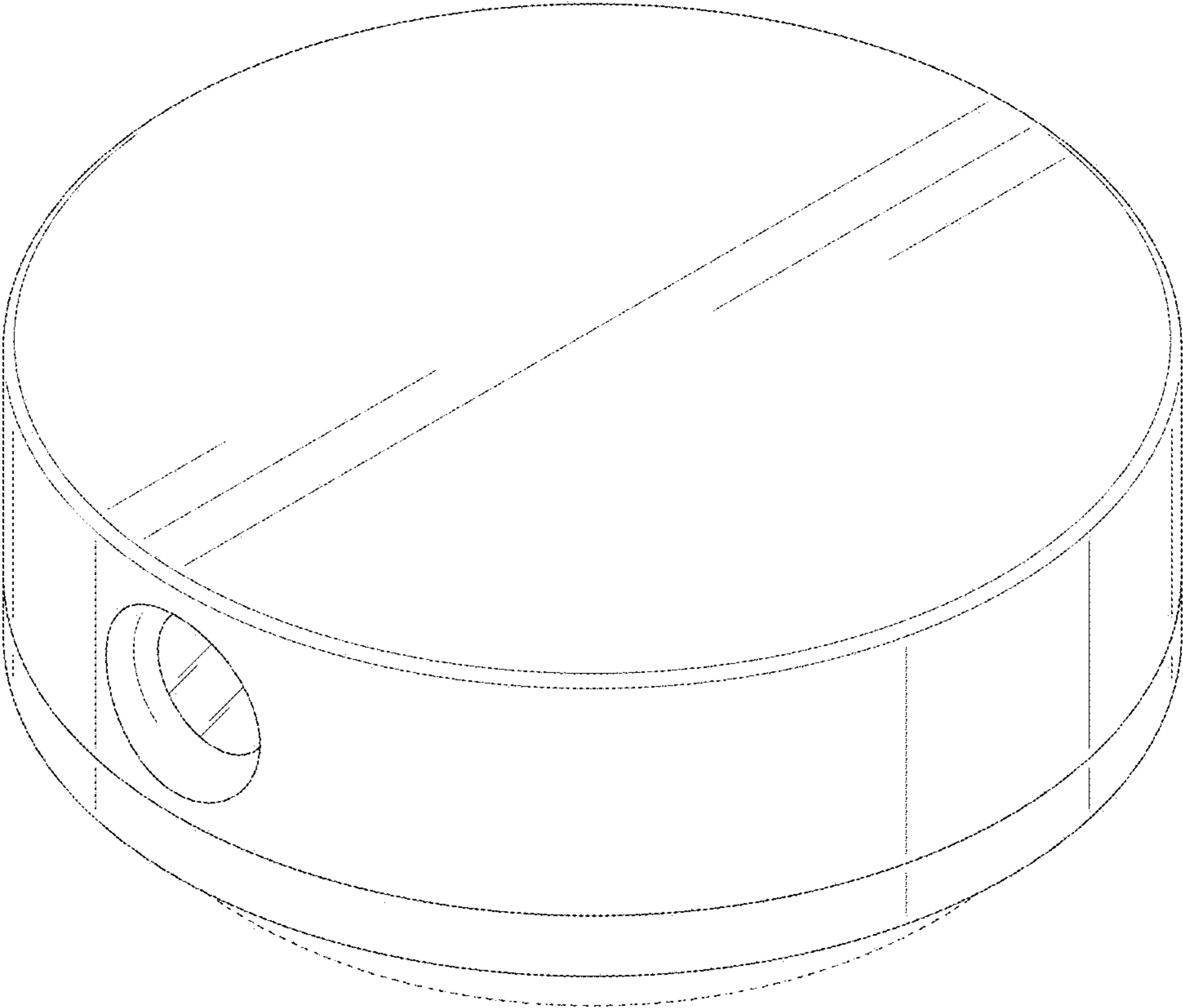


FIG. 1

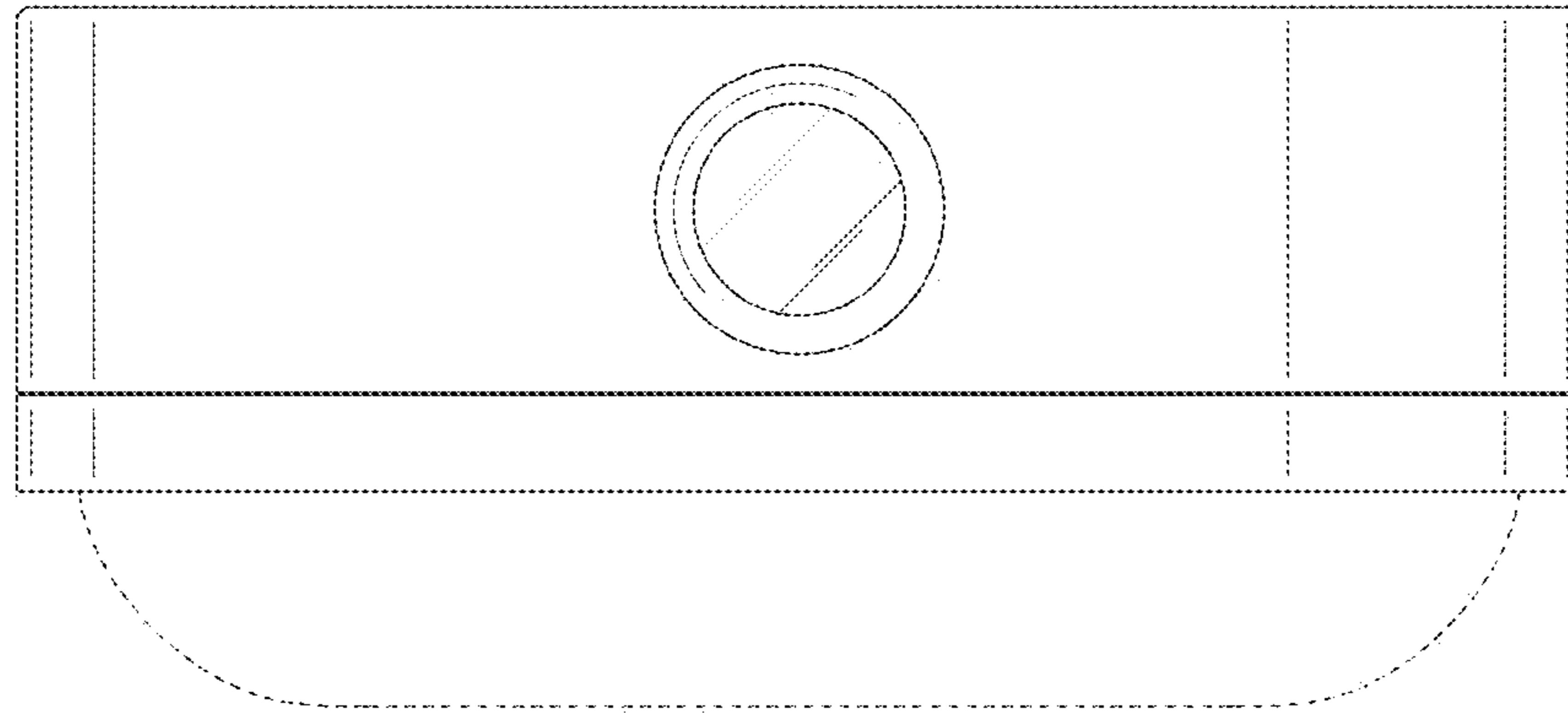


FIG. 2



FIG. 3



FIG. 4



FIG. 5

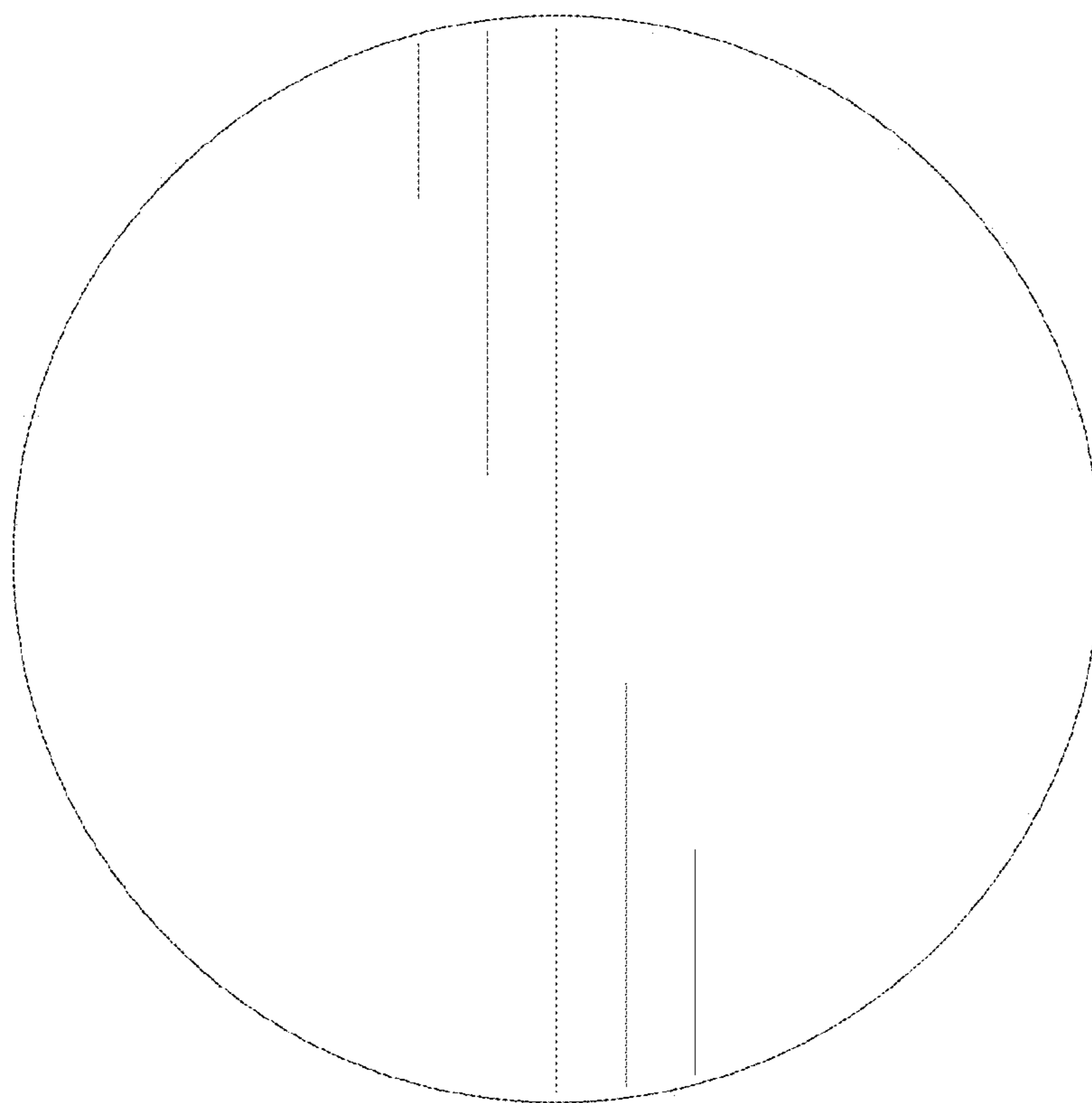


FIG. 6

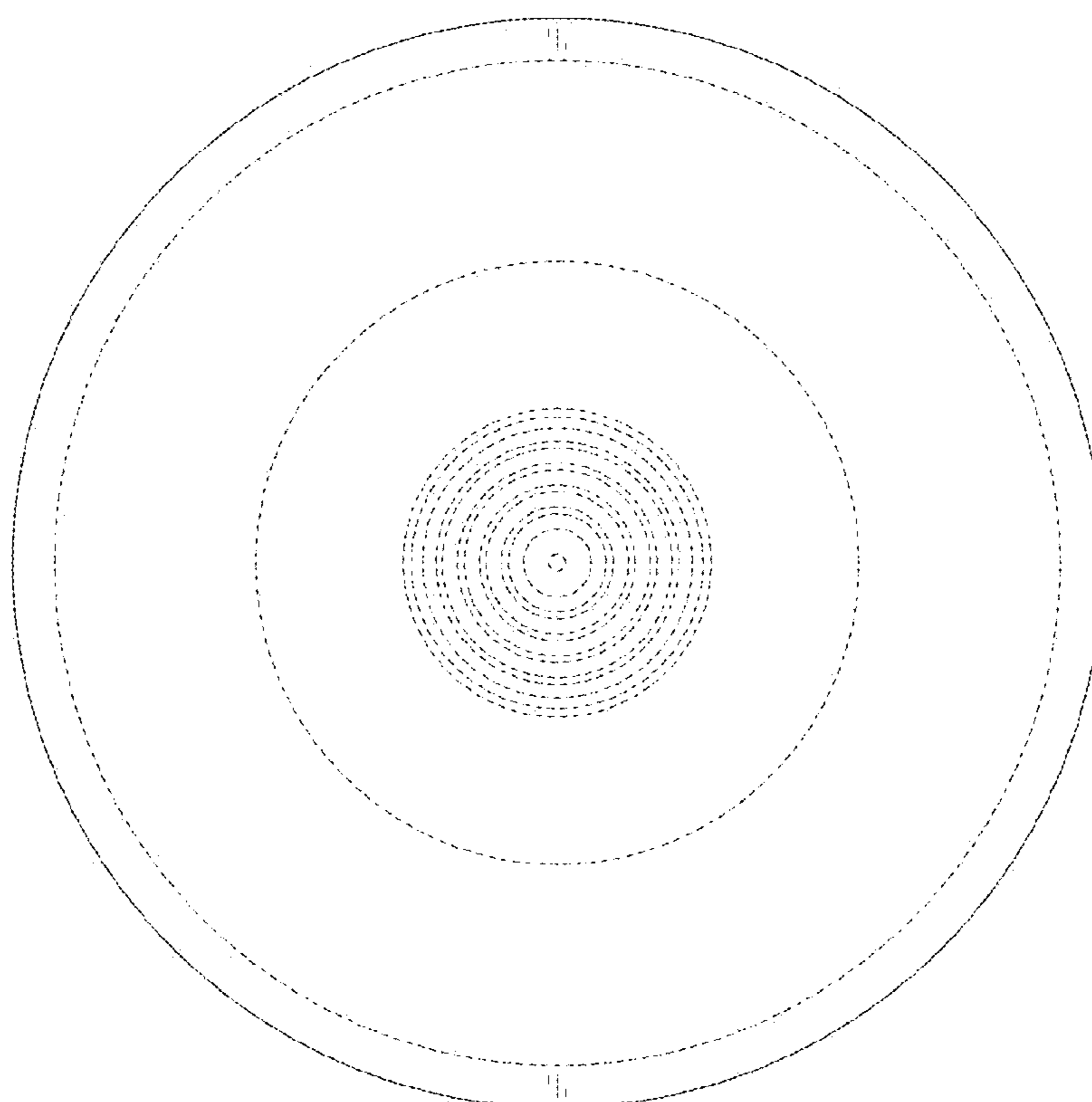


FIG. 7

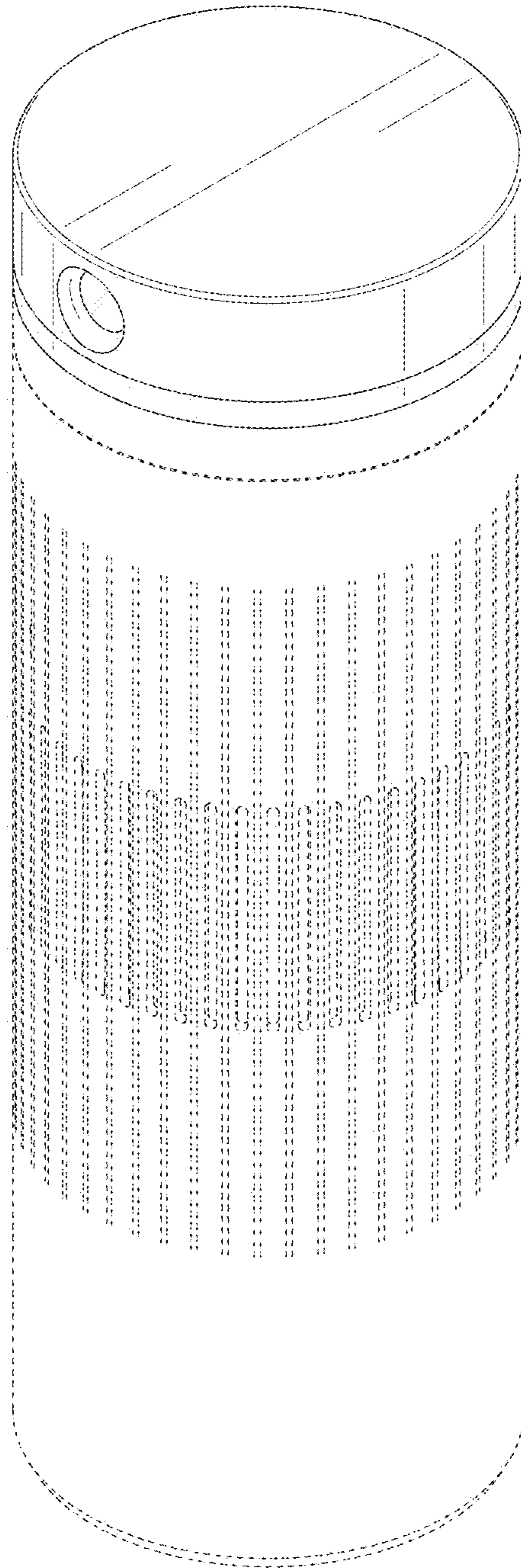


FIG. 8

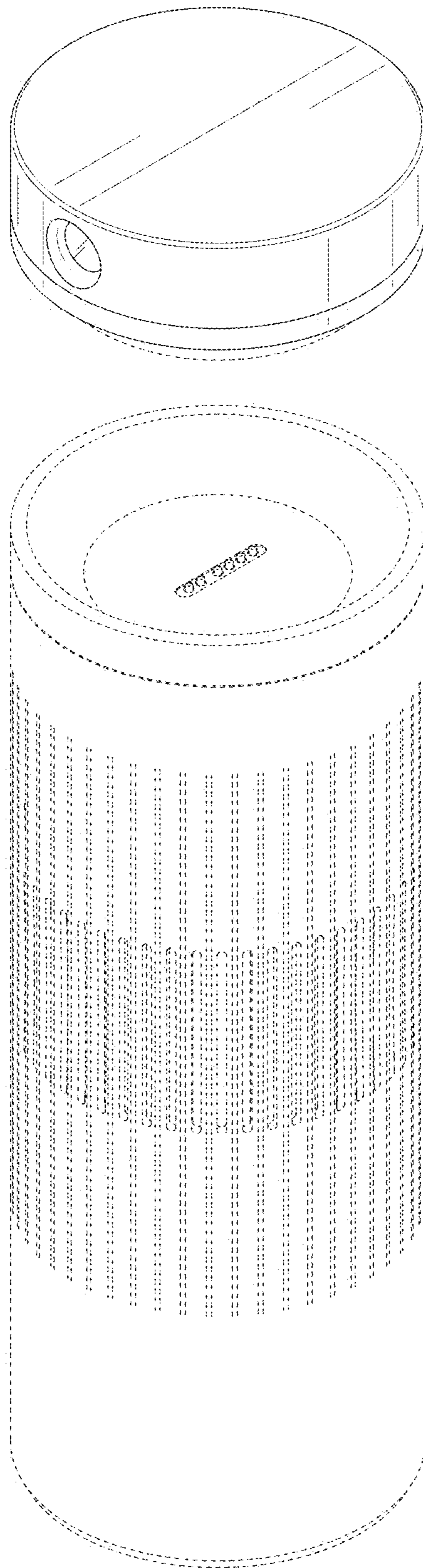


FIG. 9