



US00D938508S

(12) **United States Design Patent** (10) **Patent No.:** **US D938,508 S**  
**Yamana et al.** (45) **Date of Patent:** **\*\* Dec. 14, 2021**

(54) **DIGITAL CAMERA**  
(71) Applicant: **CANON KABUSHIKI KAISHA,**  
Tokyo (JP)  
(72) Inventors: **Kazuaki Yamana,** Kawasaki (JP);  
**Masayasu Shigematsu,** Tokyo (JP)  
(73) Assignee: **Canon Kabushiki Kaisha,** Tokyo (JP)  
(\*\*) Term: **15 Years**  
(21) Appl. No.: **29/744,769**  
(22) Filed: **Jul. 31, 2020**

D705,335 S 5/2014 Oikawa et al.  
D723,084 S \* 2/2015 Awazu ..... D16/219  
D726,240 S 4/2015 Oikawa et al.  
D783,700 S 4/2017 Tagawa et al.  
9,674,467 B2 \* 6/2017 Izawa ..... H04N 5/23245  
D820,341 S \* 6/2018 Tokiwa ..... D16/219  
D829,800 S \* 10/2018 Heyden ..... D16/202  
D831,092 S \* 10/2018 Watanabe ..... D16/219  
D831,093 S \* 10/2018 Tokiwa ..... D16/219  
D838,764 S \* 1/2019 Imai ..... D16/219  
D838,766 S \* 1/2019 Tokiwa ..... D16/219  
D849,116 S \* 5/2019 Lee ..... D16/219  
D849,818 S \* 5/2019 Imai ..... D16/219

(Continued)

**FOREIGN PATENT DOCUMENTS**

JP 1456035 11/2012  
JP 1456461 11/2012

(Continued)

*Primary Examiner* — Bao-Yen T Nguyen  
(74) *Attorney, Agent, or Firm* — Venable LLP

**Related U.S. Application Data**

(62) Division of application No. 35/507,100, filed on Nov. 14, 2018 (U.S. filing date under 35 U.S.C. 384), and having an international filing date of Nov. 14, 2018, now abandoned.

**Foreign Application Priority Data**

(30) May 15, 2018 (JP) ..... 2018-010520

(51) **LOC (13) Cl.** ..... **16-05**

(52) **U.S. Cl.**  
USPC ..... **D16/219**

(58) **Field of Classification Search**  
USPC ..... D16/134, 136, 200, 202–205, 218, 219,  
D16/235, 242

CPC ..... G03B 17/02; G03B 19/04; G03B 17/56;  
G03B 17/04; G03B 15/03; G03B 17/14;  
H04N 5/2251; H04N 5/2252; H04N  
5/2253; H04N 5/2254; G02B 7/02; G02B  
7/04; G02B 7/14

See application file for complete search history.

**References Cited**

**U.S. PATENT DOCUMENTS**

D669,930 S \* 10/2012 Koyama ..... D16/219  
D698,839 S \* 2/2014 Sato ..... D16/200

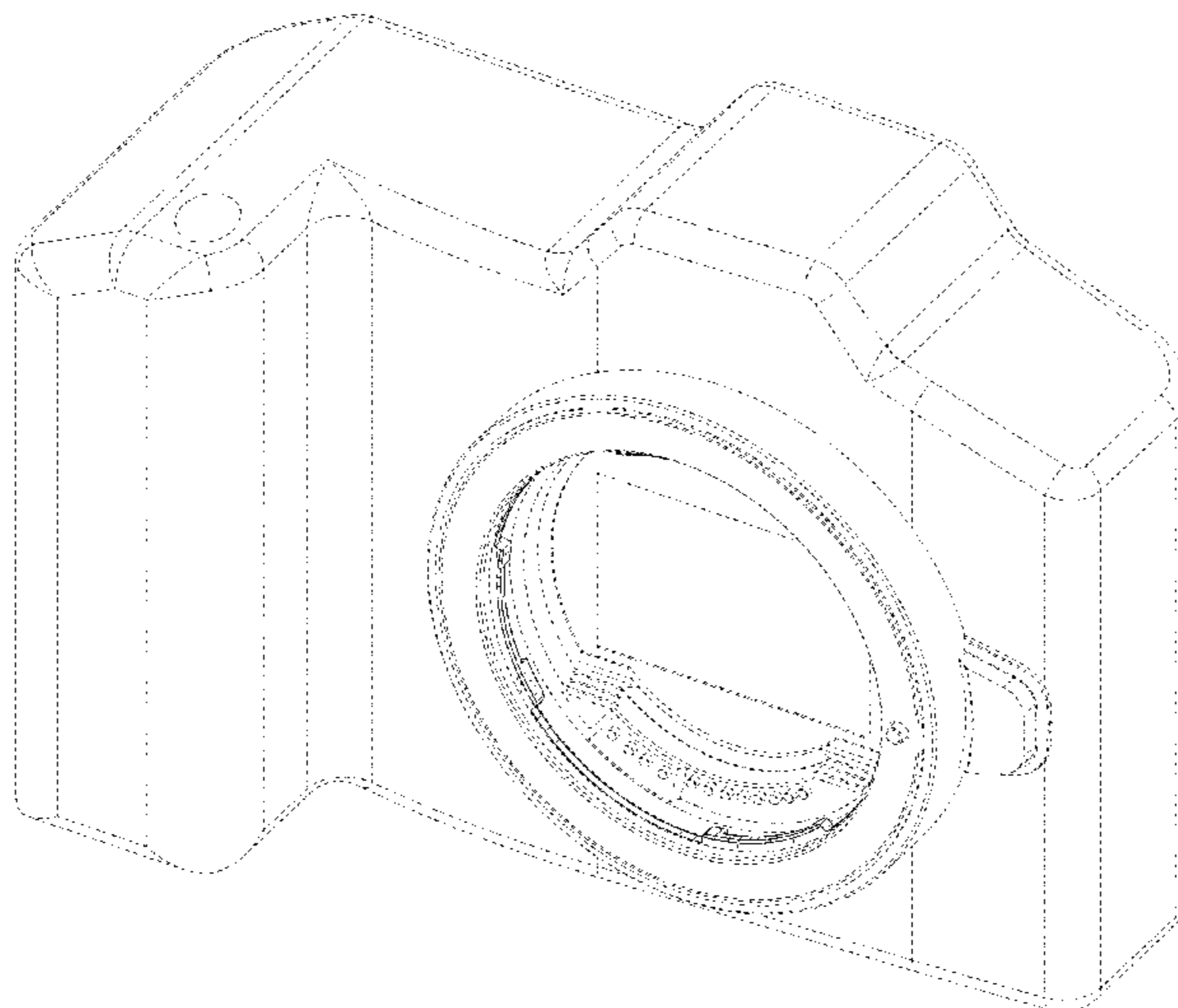
(57) **CLAIM**

The ornamental design for a digital camera, as shown and described.

**DESCRIPTION**

FIG. 1 is a Front view of a digital camera showing our new design;  
FIG. 2 is a Back view thereof;  
FIG. 3 is a Top view thereof;  
FIG. 4 is a Bottom view thereof;  
FIG. 5 is a Left view thereof;  
FIG. 6 is a Right view thereof; and,  
FIG. 7 is a Front Perspective view thereof.  
The broken lines show portions of the digital camera that form no part of the claimed design.

**1 Claim, 7 Drawing Sheets**



(56)

References Cited

U.S. PATENT DOCUMENTS

D849,821 S \* 5/2019 England ..... D16/242  
 D850,514 S \* 6/2019 Hsu ..... D16/219  
 D865,031 S \* 10/2019 Saito ..... D16/219  
 D867,429 S \* 11/2019 Miyao ..... D16/219  
 D868,868 S \* 12/2019 Heyden ..... D16/202  
 D870,185 S \* 12/2019 Nagaoka ..... D16/219  
 D881,260 S \* 4/2020 Ikegame ..... D16/219  
 D881,261 S \* 4/2020 Ikegame ..... D16/219  
 D884,774 S \* 5/2020 Kamei ..... D16/219  
 D885,462 S \* 5/2020 Nagaoka ..... D16/219  
 D894,249 S \* 8/2020 Kamei ..... D16/202  
 D894,991 S \* 9/2020 Park ..... D16/202  
 D896,294 S \* 9/2020 Bennett ..... D16/202  
 D896,872 S \* 9/2020 Lee ..... D16/219  
 D897,405 S \* 9/2020 Lee ..... D16/219  
 D897,406 S \* 9/2020 Ikegame ..... D16/219  
 D898,103 S \* 10/2020 Nagaoka ..... D16/219  
 D899,486 S \* 10/2020 Tamura ..... D16/219  
 D900,193 S \* 10/2020 Tamura ..... D16/219  
 D900,194 S \* 10/2020 Tamura ..... D16/219  
 D908,162 S \* 1/2021 Yoon ..... D16/219

D908,775 S \* 1/2021 Wu ..... D16/219  
 D913,355 S \* 3/2021 Takahashi ..... D16/219  
 D918,987 S \* 5/2021 Mori ..... D16/219  
 D924,297 S \* 7/2021 Imai ..... D16/202  
 2010/0020184 A1\* 1/2010 Kurosawa ..... H04N 5/2253  
 348/208.11  
 2011/0052171 A1\* 3/2011 Yasuda ..... G03B 17/14  
 396/176  
 2013/0033770 A1\* 2/2013 Koga ..... G03B 3/00  
 359/823  
 2013/0077953 A1\* 3/2013 Kikuchi ..... G02B 7/04  
 396/530  
 2014/0111686 A1\* 4/2014 Iikawa ..... G03B 17/14  
 348/374

FOREIGN PATENT DOCUMENTS

JP 1456462 11/2012  
 JP 1456463 11/2012  
 JP 1456464 11/2012  
 JP 1456465 11/2012  
 JP 1555184 8/2016  
 JP 2016-126069 A 7/2017

\* cited by examiner

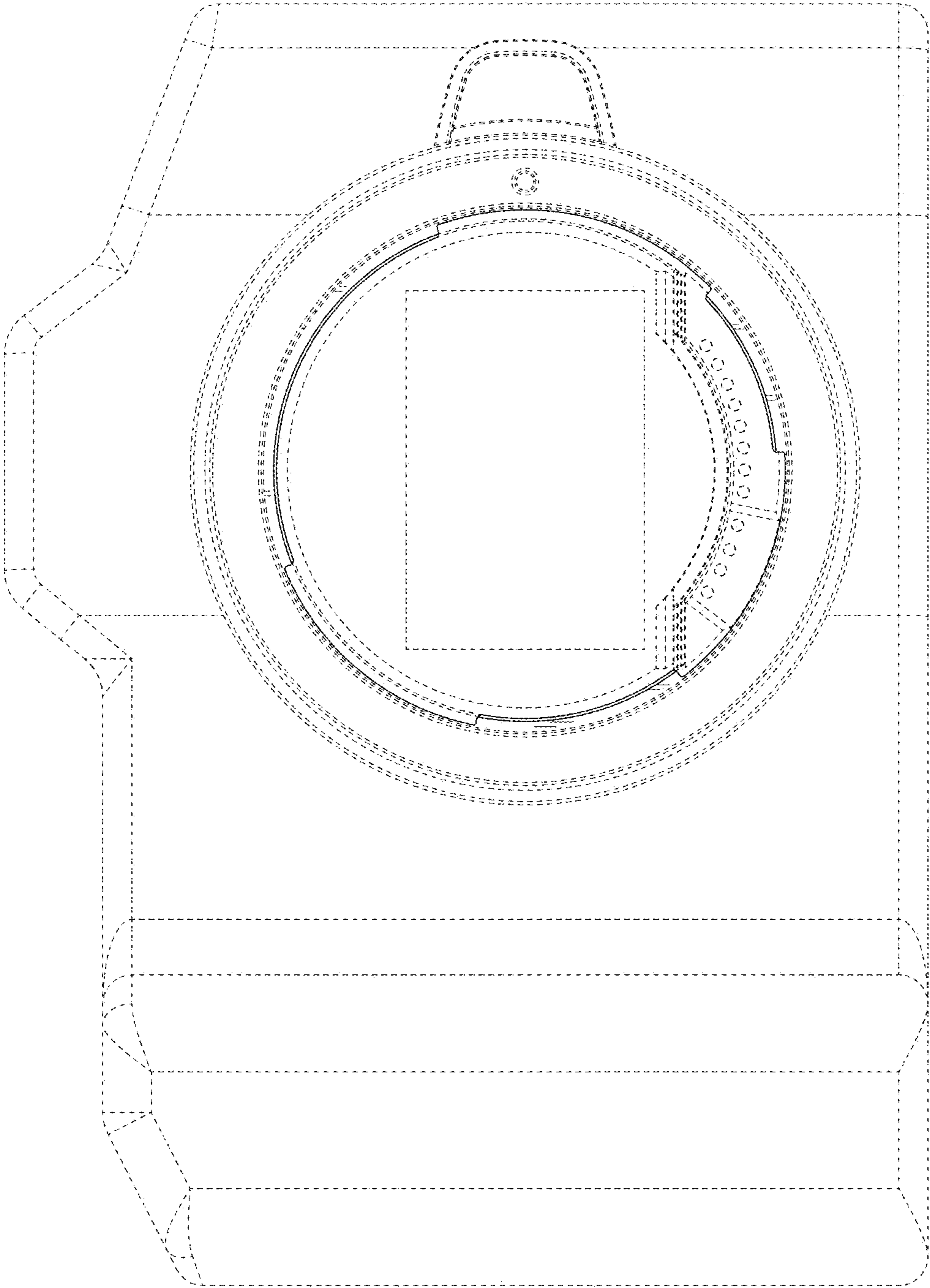


FIG. 1

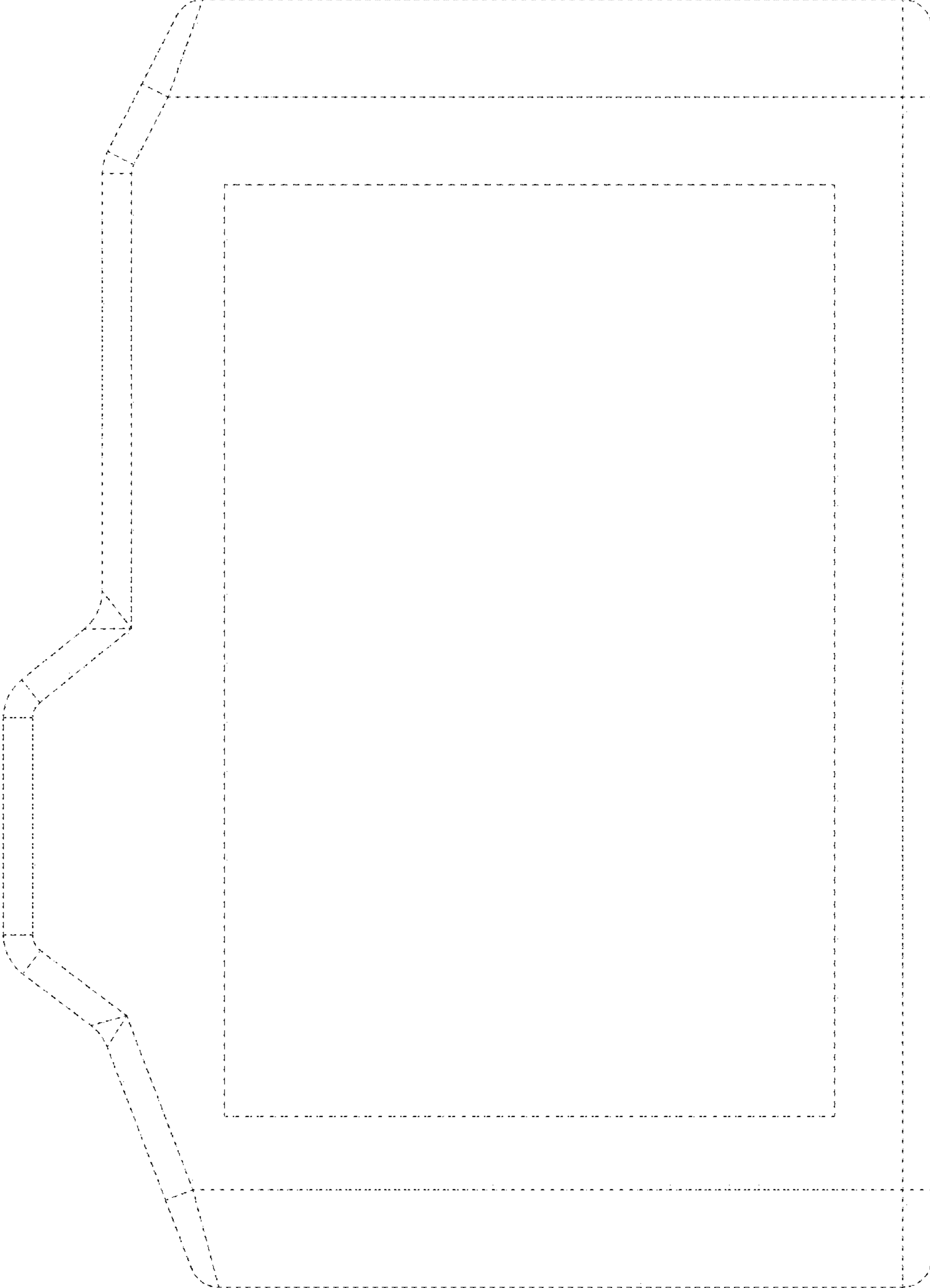


FIG. 2

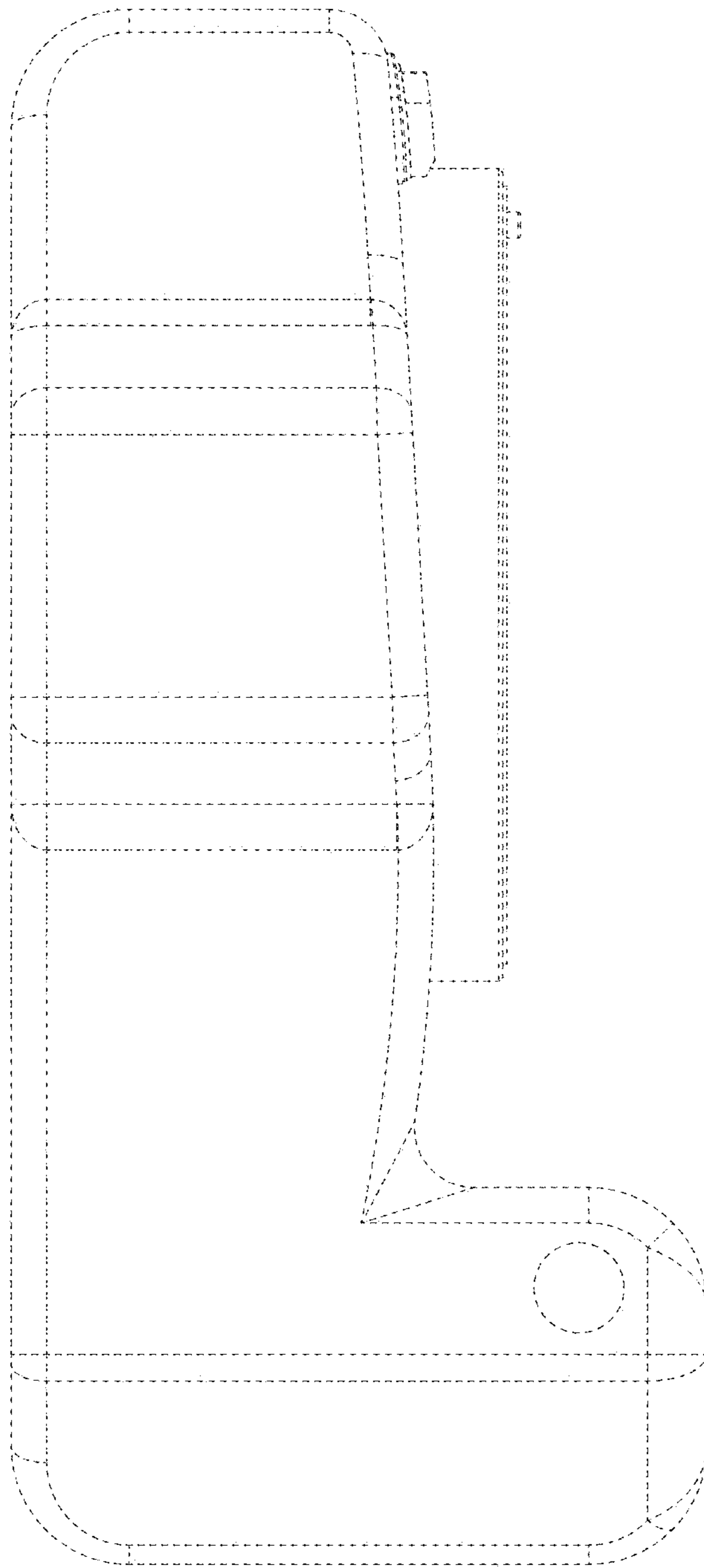


FIG. 3

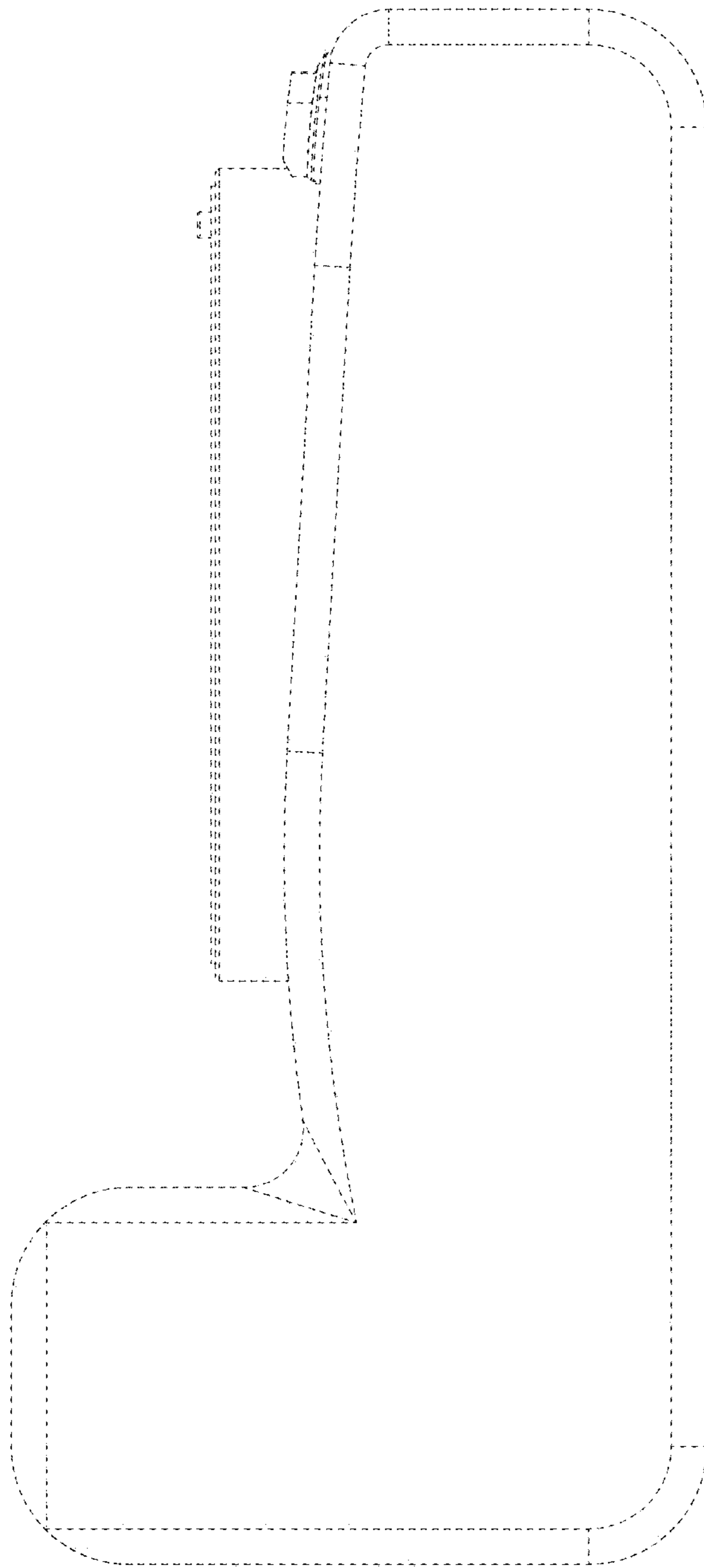


FIG. 4

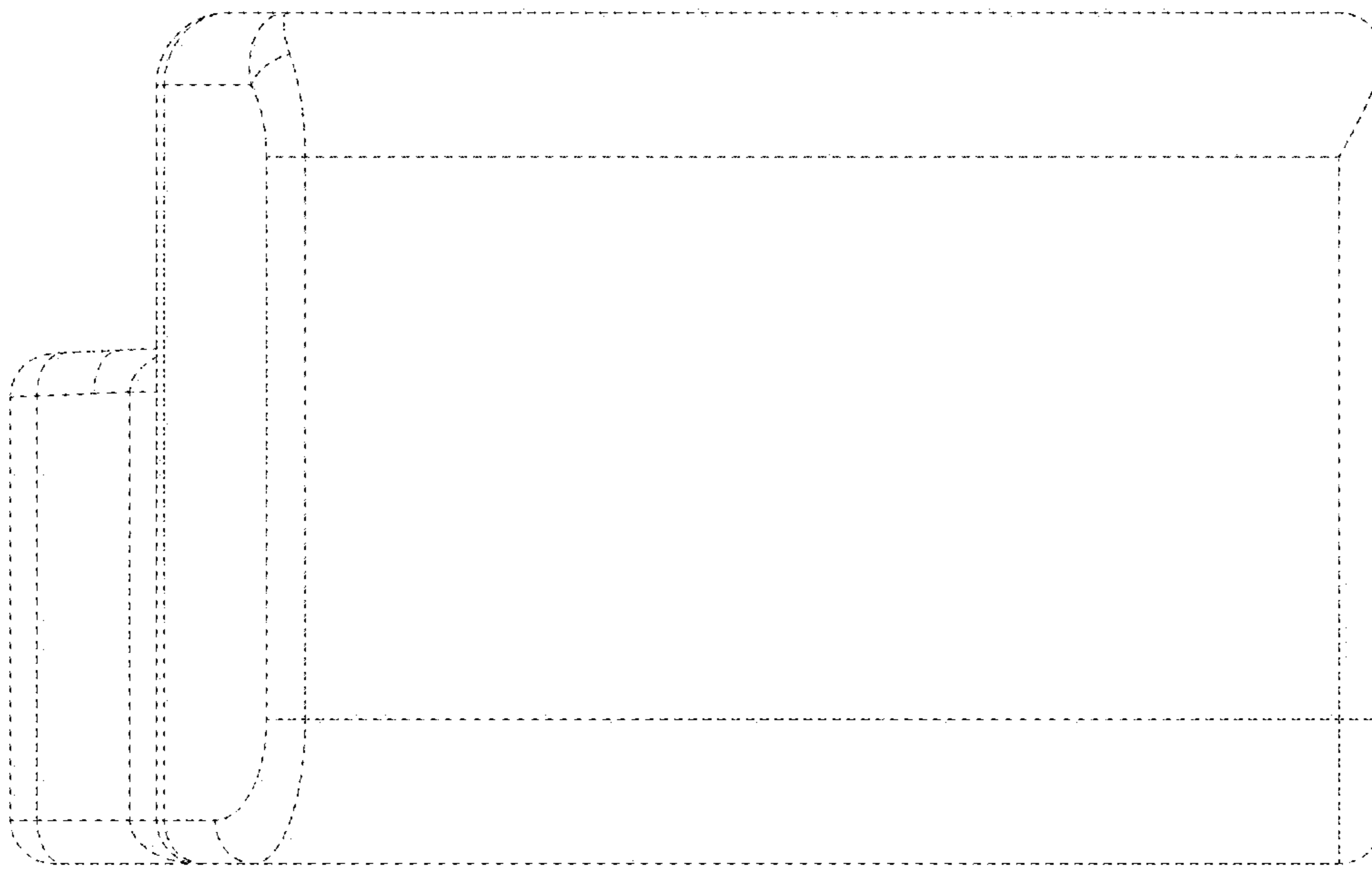


FIG. 5

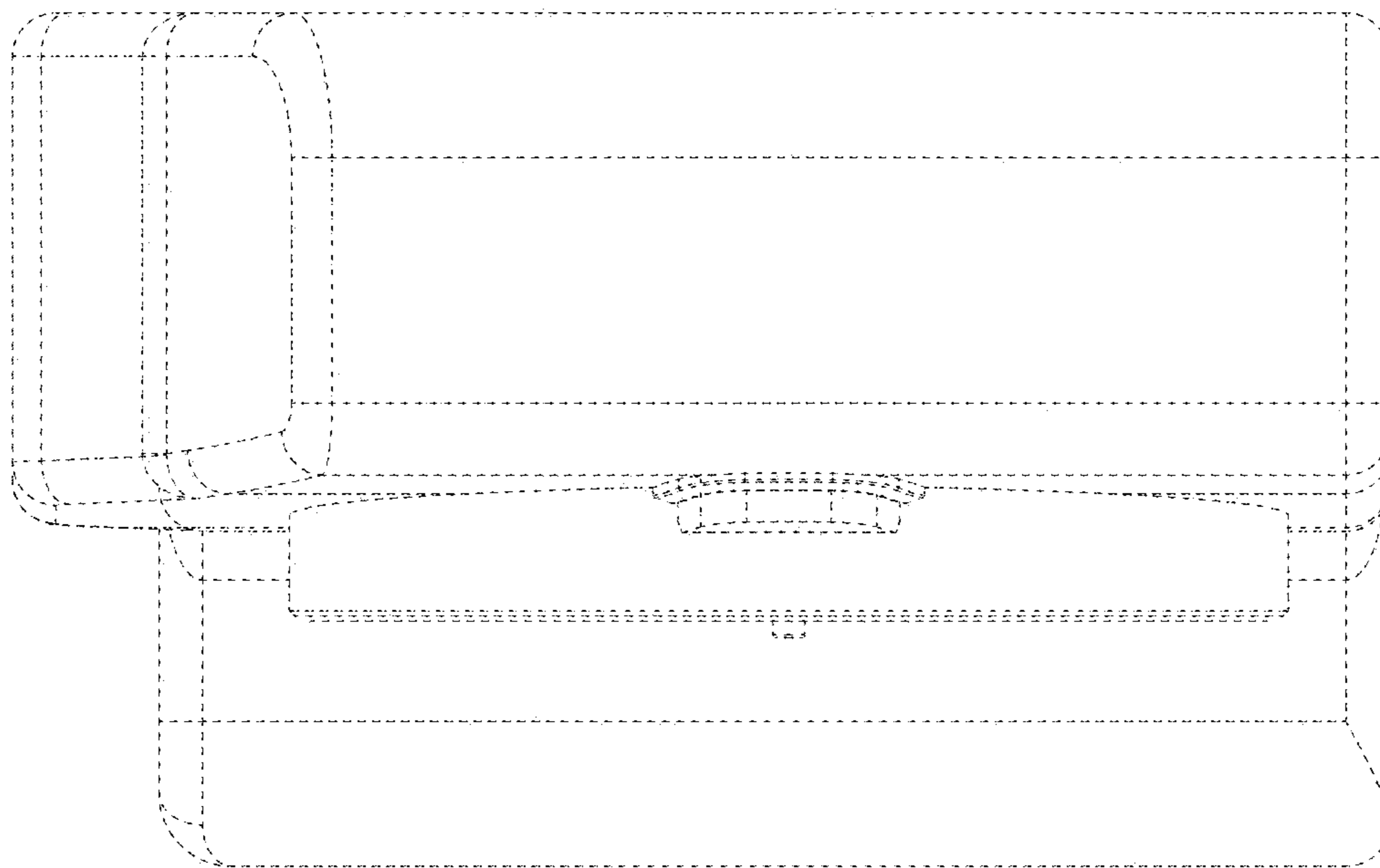


FIG. 6



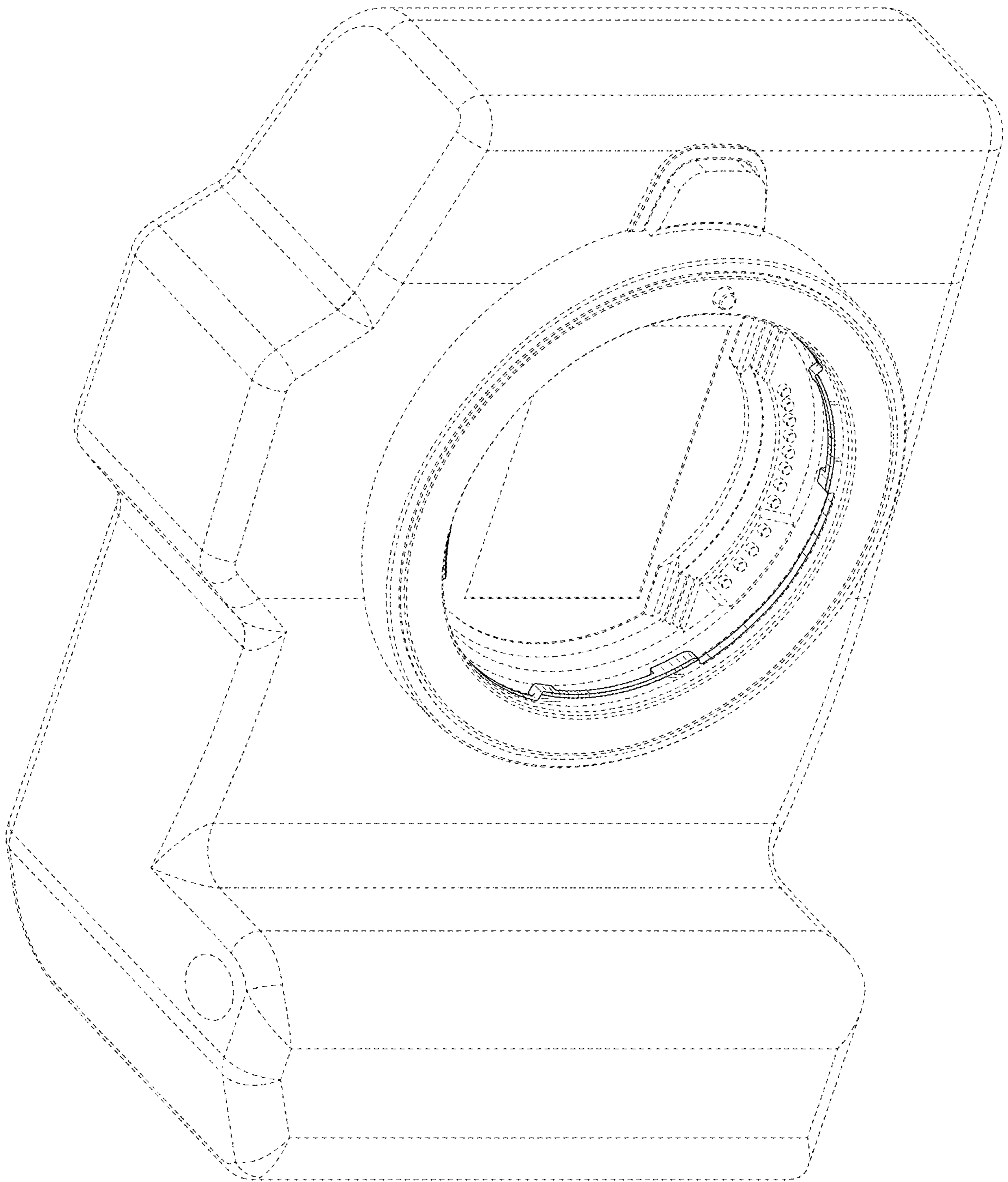


FIG. 7