



US00D938506S

(12) **United States Design Patent** (10) **Patent No.:** **US D938,506 S**
Yamashiro et al. (45) **Date of Patent:** **** Dec. 14, 2021**

(54) **INDUSTRIAL ROBOT**

(71) Applicant: **FANUC CORPORATION**, Yamanashi (JP)

(72) Inventors: **Hikaru Yamashiro**, Yamanashi (JP); **Kei Watanabe**, Yamanashi (JP); **Keishi Yoneda**, Yamanashi (JP); **Masahide Shinagawa**, Yamanashi (JP); **Harutora Inaba**, Yamanashi (JP)

(73) Assignee: **FANUC CORPORATION**, Yamanashi (JP)

(**) Term: **15 Years**

(21) Appl. No.: **29/737,926**

(22) Filed: **Jun. 12, 2020**

(30) **Foreign Application Priority Data**

Dec. 13, 2019 (JP) 2019-027715

(51) **LOC (13) Cl.** **15-99**

(52) **U.S. Cl.**
USPC **D15/199**

(58) **Field of Classification Search**
USPC 15/122, 199; 21/578-583; 32/21; 34/34
CPC B25J 9/046; B25J 9/042; B25J 9/06; H01L
21/67766

See application file for complete search history.

(56) **References Cited**

U.S. PATENT DOCUMENTS

D267,883 S * 2/1983 Susnjara D15/122
D269,681 S * 7/1983 Morser D15/122
D279,572 S * 7/1985 Yasuoka D15/122
D287,368 S * 12/1986 Shibayama D15/122
D293,449 S * 12/1987 Kaufmann D15/122
D296,790 S * 7/1988 Tsuburaya D15/122
D300,935 S * 5/1989 Maddock D15/122
D307,282 S * 4/1990 Suica D15/199

D334,581 S * 4/1993 Yoshikawa D15/199
D344,279 S * 2/1994 Koyama D15/199
D344,280 S * 2/1994 Koyama D15/199
D410,477 S * 6/1999 Nihei D15/199
D440,241 S * 4/2001 Kawahara D15/199
D443,287 S * 6/2001 Kawahara D15/199
D444,488 S * 7/2001 Selic D15/199
D449,057 S * 10/2001 Selic D15/199

(Continued)

FOREIGN PATENT DOCUMENTS

WO WO-2021017175 A1 * 2/2021

Primary Examiner — Patricia A Palasik

(74) *Attorney, Agent, or Firm* — Banner & Witcott, Ltd.

(57) **CLAIM**

The ornamental design for an industrial robot, as shown and described.

DESCRIPTION

FIG. 1 is a first perspective view of an industrial robot showing our new design;

FIG. 2 is a second perspective view thereof;

FIG. 3 is a front view thereof;

FIG. 4 is a rear view thereof;

FIG. 5 is a right side view thereof;

FIG. 6 is a left side view thereof;

FIG. 7 is a top plan thereof;

FIG. 8 is a bottom plan view thereof;

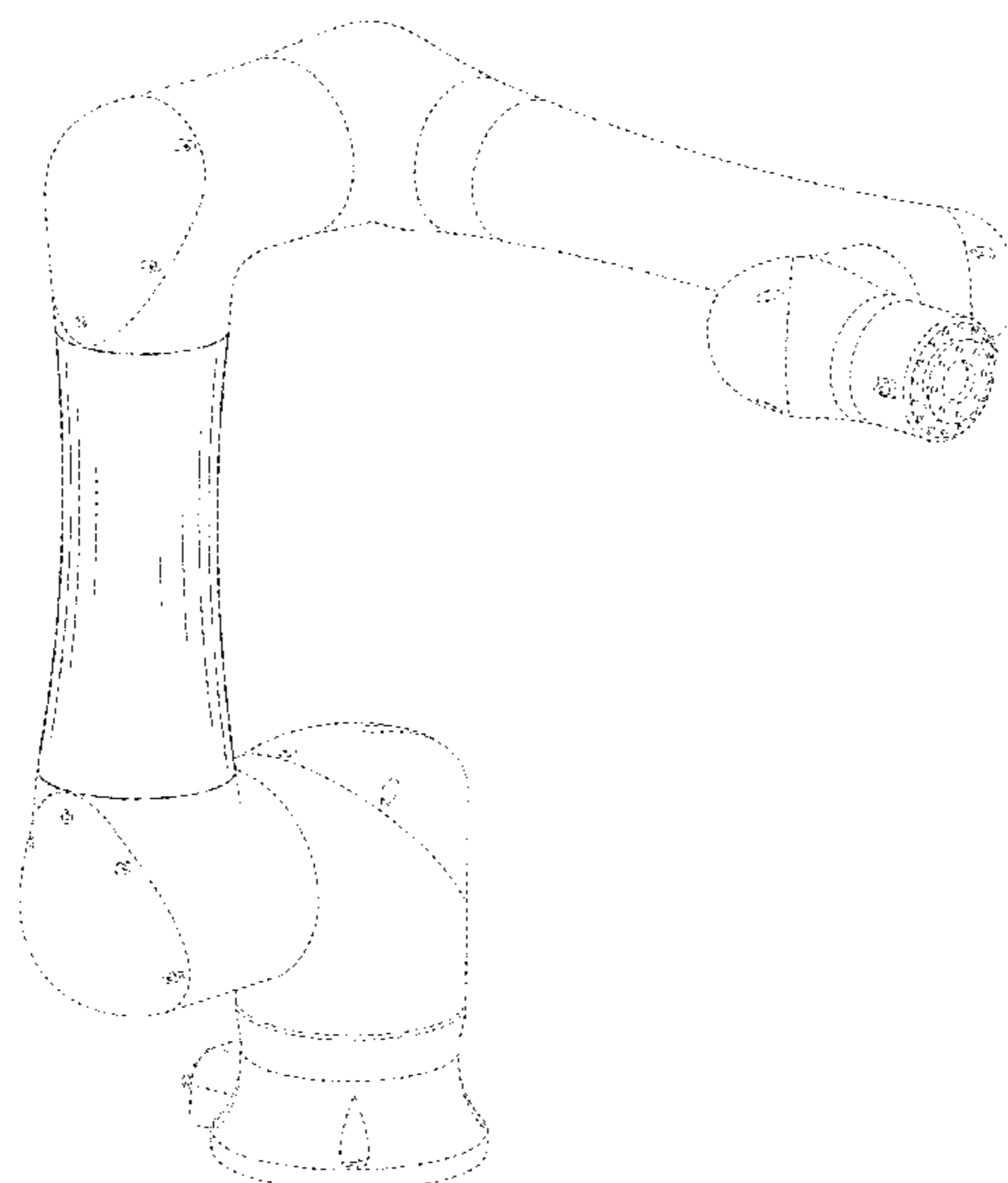
FIG. 9 is a cross section taken through line 9-9 of FIG. 3;

FIG. 10 is a cross section taken through line 10-10 of FIG. 3; and,

FIG. 11 is a cross section taken through line 11-11 of FIG. 3.

The uneven-length broken lines immediately adjacent to the shaded area define the bounds of the claimed design and form no part thereof. The even-length broken line showing of the remainder of the industrial robot forms no part of the claimed design.

1 Claim, 9 Drawing Sheets



(56)

References Cited

U.S. PATENT DOCUMENTS

D615,574 S *	5/2010	Liu	D15/199	D769,343 S *	10/2016	Bordegnoni	D15/199
D616,477 S *	5/2010	Long	D15/199	D769,954 S *	10/2016	Kinoshita	D15/199
D616,909 S *	6/2010	Long	D15/199	D778,971 S *	2/2017	Long	D15/199
D624,104 S *	9/2010	Miyake	D15/199	D802,041 S *	11/2017	He	D15/199
7,810,765 B2 *	10/2010	Burlot	H02G 3/0481	D837,294 S *	1/2019	Ciniello	D19/59
				248/75	D841,707 S *	2/2019	Yamamoto	D15/199
D629,030 S *	12/2010	Long	D15/199	D852,863 S *	7/2019	Dosho	D15/199
D636,803 S *	4/2011	Nakagiri	D15/199	D865,828 S *	11/2019	Bogart	D15/199
D650,820 S *	12/2011	Long	D15/199	D870,169 S *	12/2019	Dosho	D15/199
D651,627 S *	1/2012	Long	D15/199	D877,787 S *	3/2020	Kinoshita	D15/199
D678,378 S *	3/2013	Selic	D15/199	D881,251 S *	4/2020	Abe	D15/199
D681,708 S *	5/2013	Miyake	D15/199	D896,859 S *	9/2020	Naitou	D15/199
8,434,387 B2 *	5/2013	Nakagiri	B25J 9/104	D905,774 S *	12/2020	Inoue	D15/199
				74/665 R	D911,408 S *	2/2021	Okada	D15/199
D690,753 S *	10/2013	Liu	D15/199	2005/0092122 A1 *	5/2005	Markert	B25J 19/0075
D707,277 S *	6/2014	Olsson	D15/199					74/490.01
D713,436 S *	9/2014	Liu	D15/199	2005/0126327 A1 *	6/2005	Markert	B25J 19/0054
D766,348 S *	9/2016	Long	D15/199					74/490.02
					2008/0271561 A1 *	11/2008	Ohara	B25J 9/0018
									74/490.01

* cited by examiner

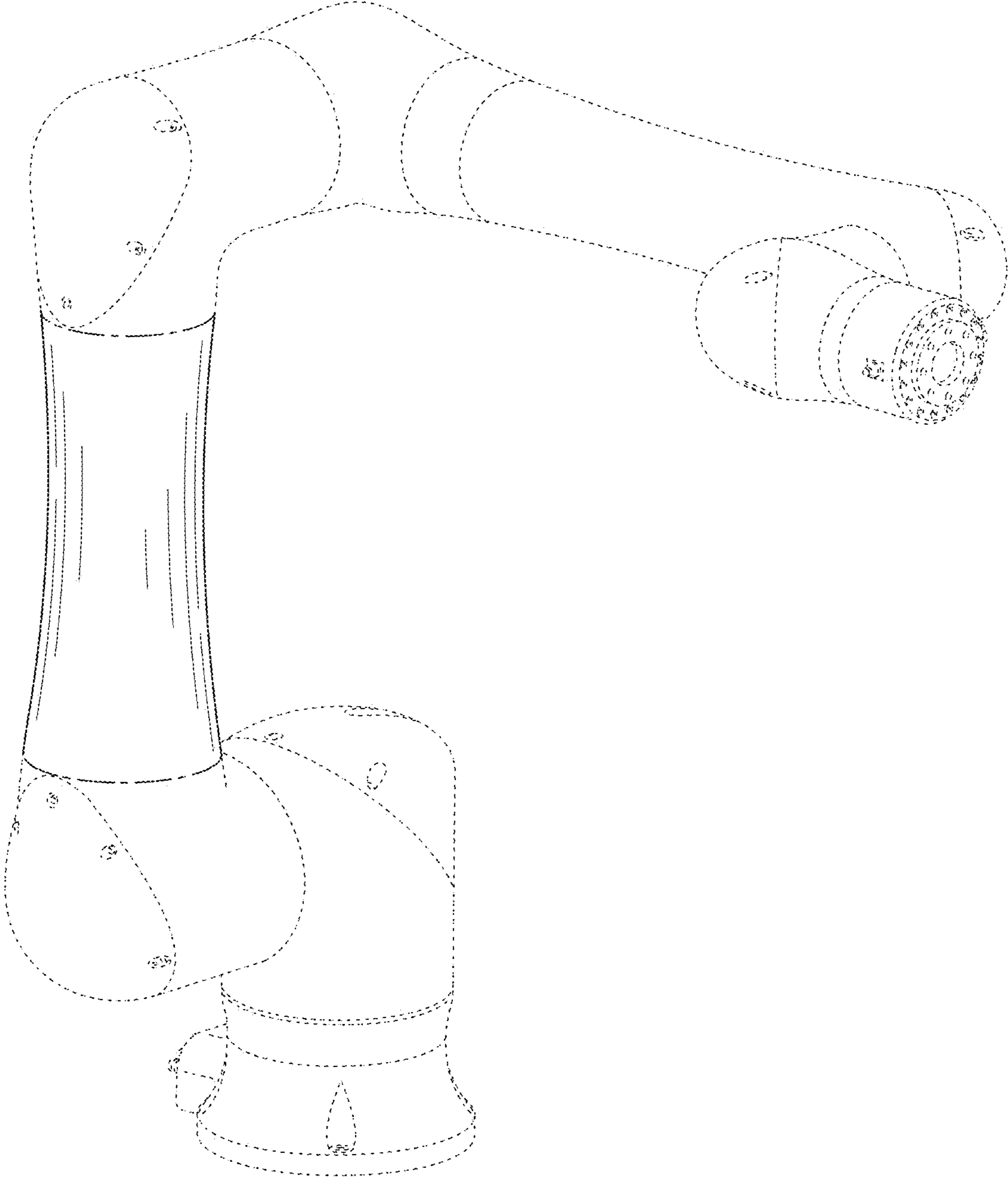


FIG. 1

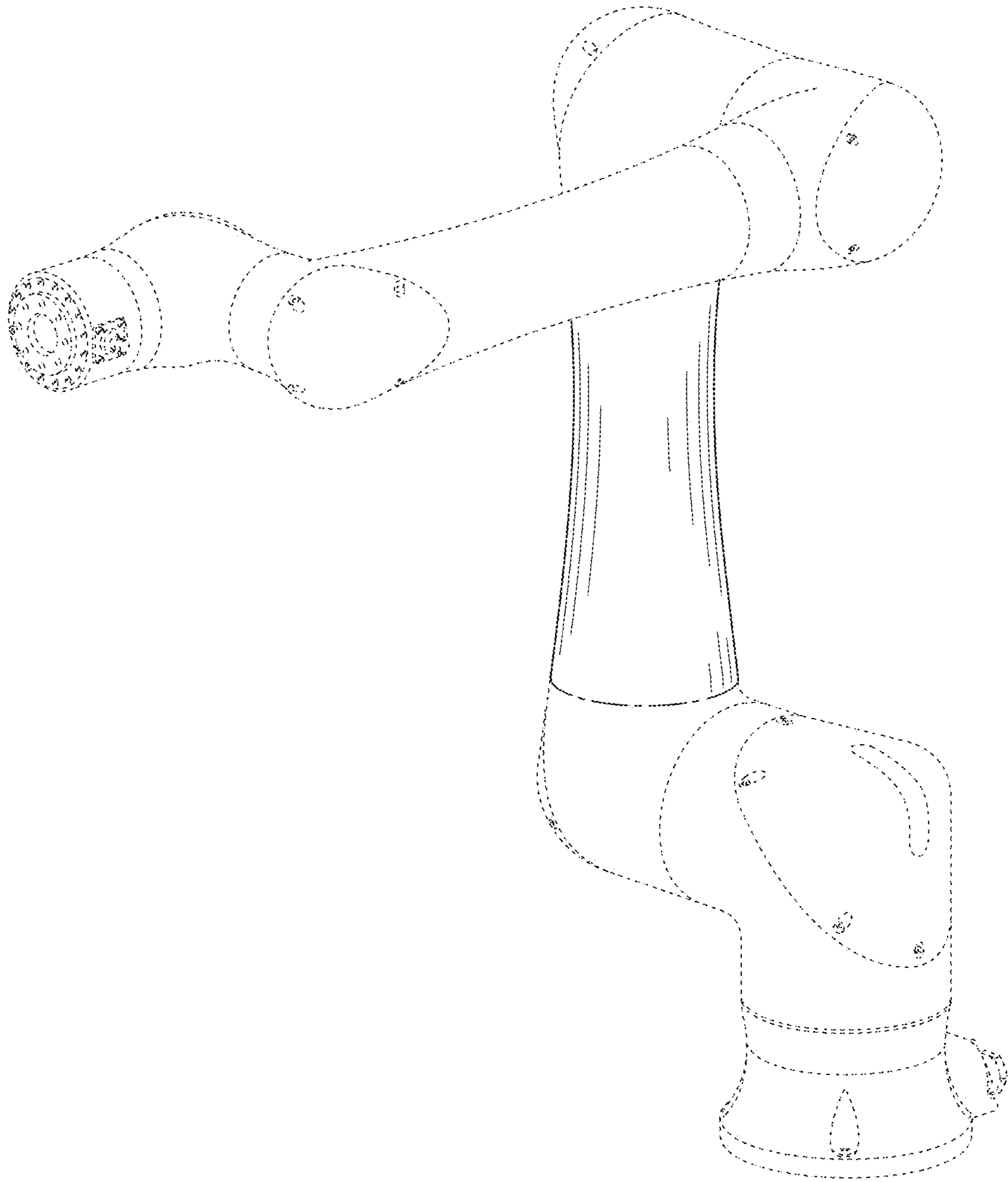


FIG. 2

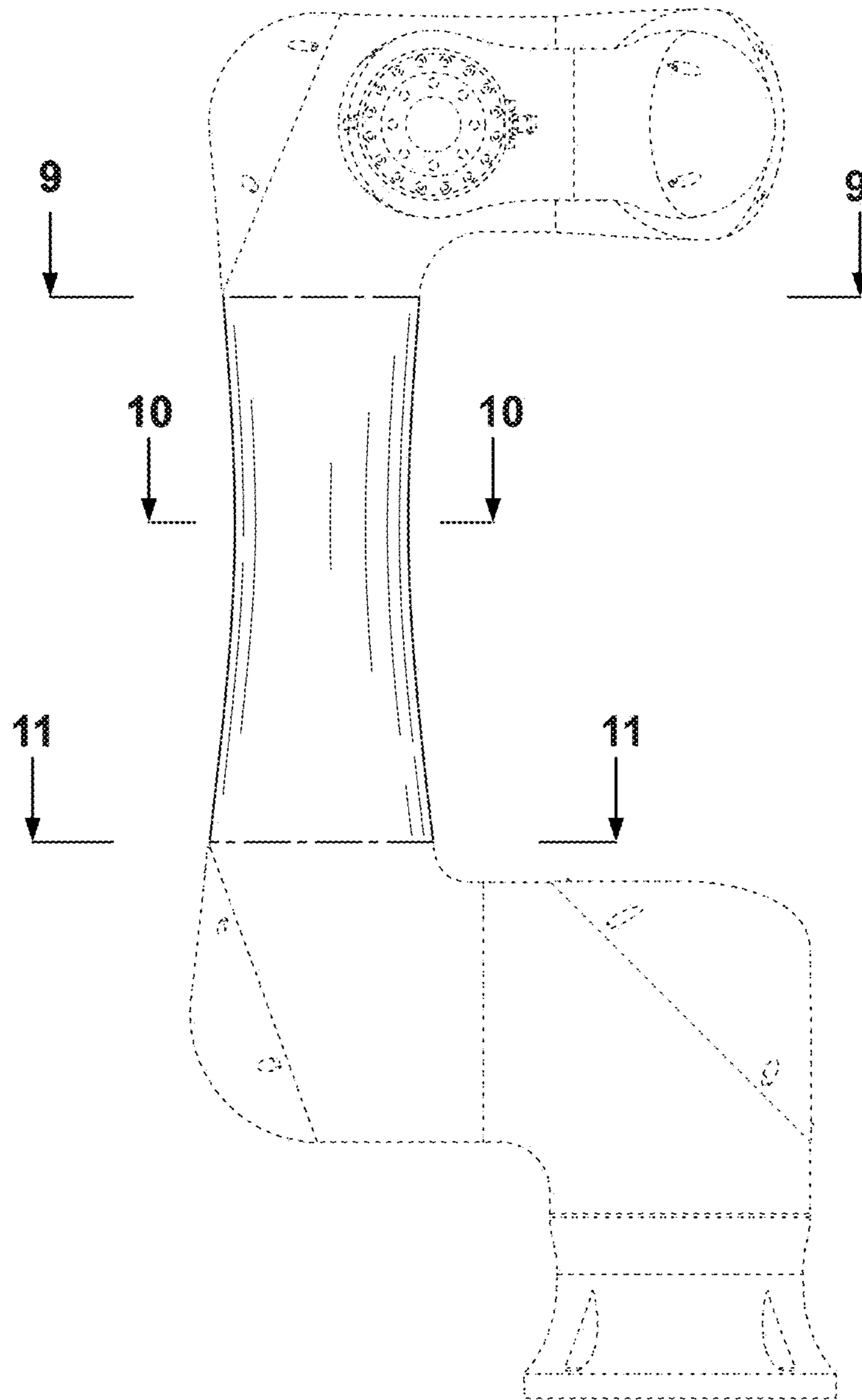


FIG. 3

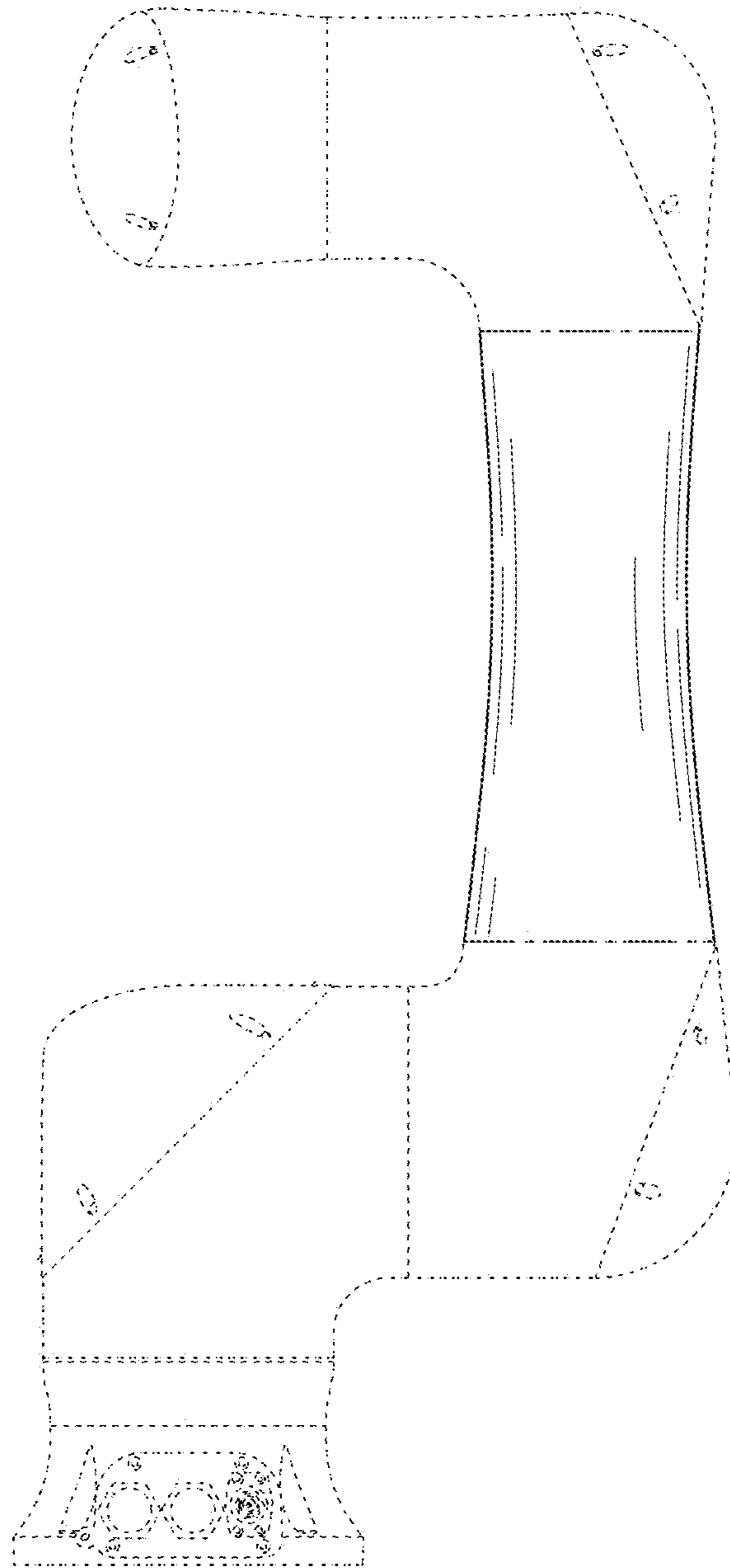


FIG. 4

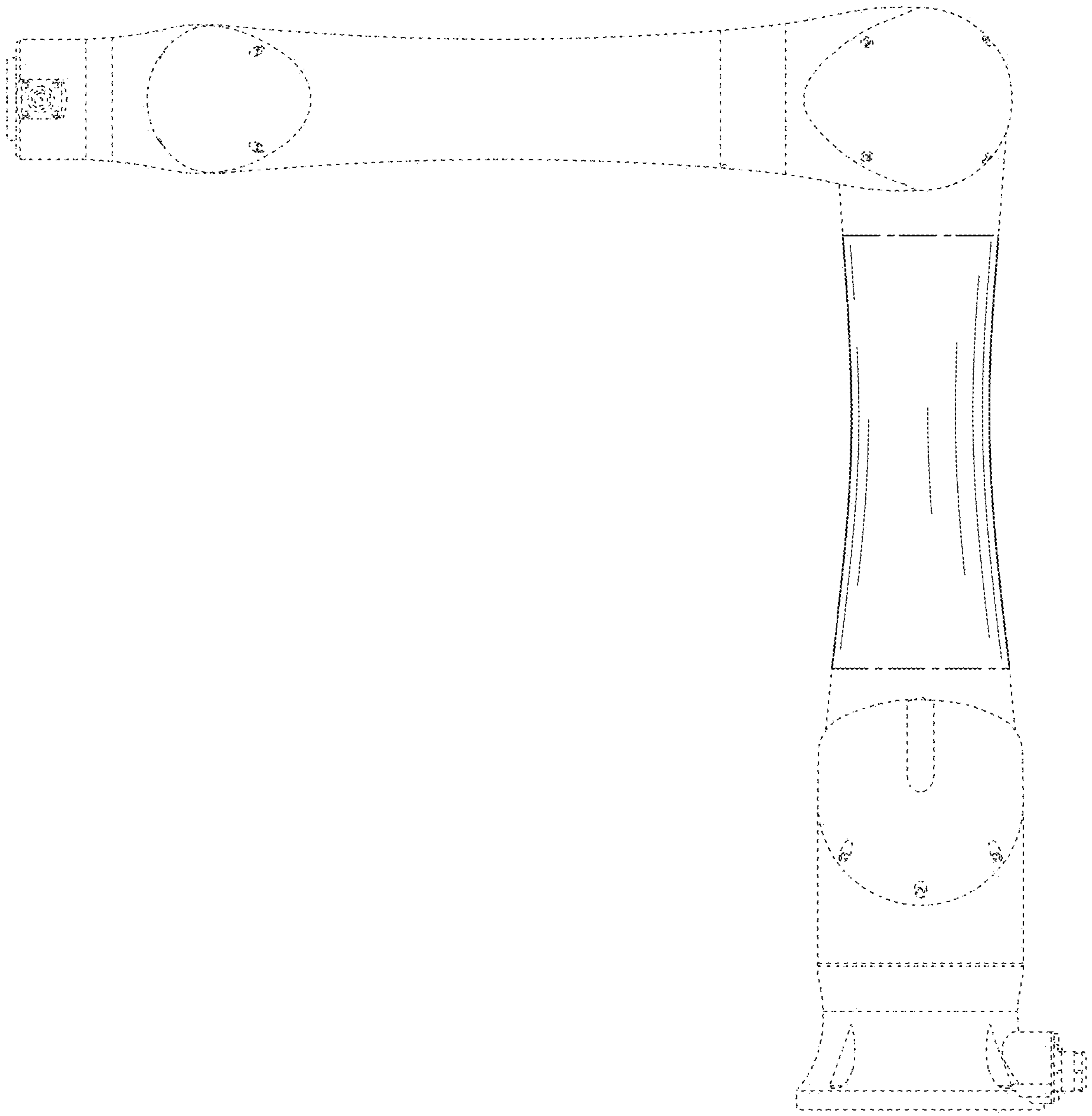


FIG. 5

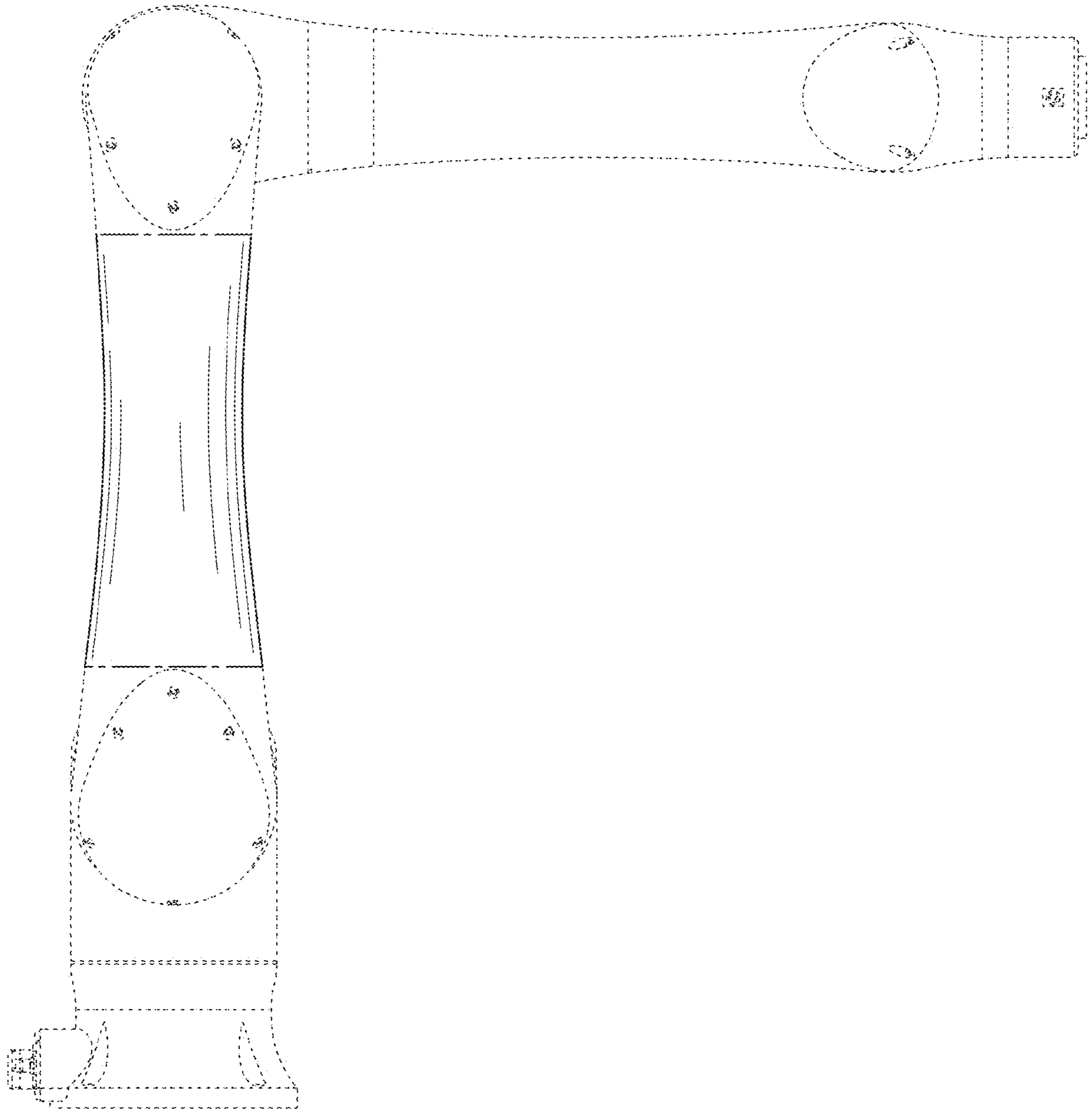


FIG. 6

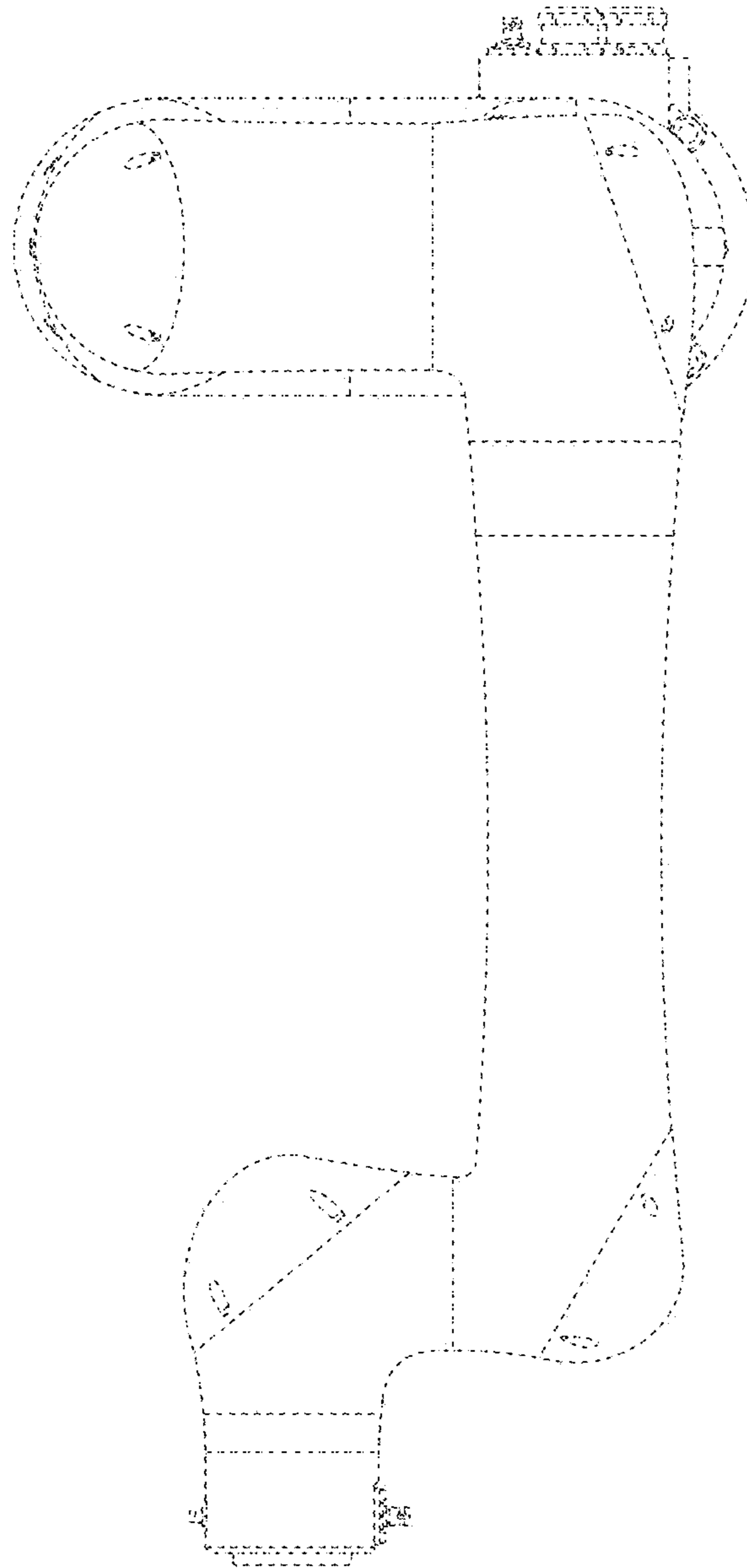


FIG. 7

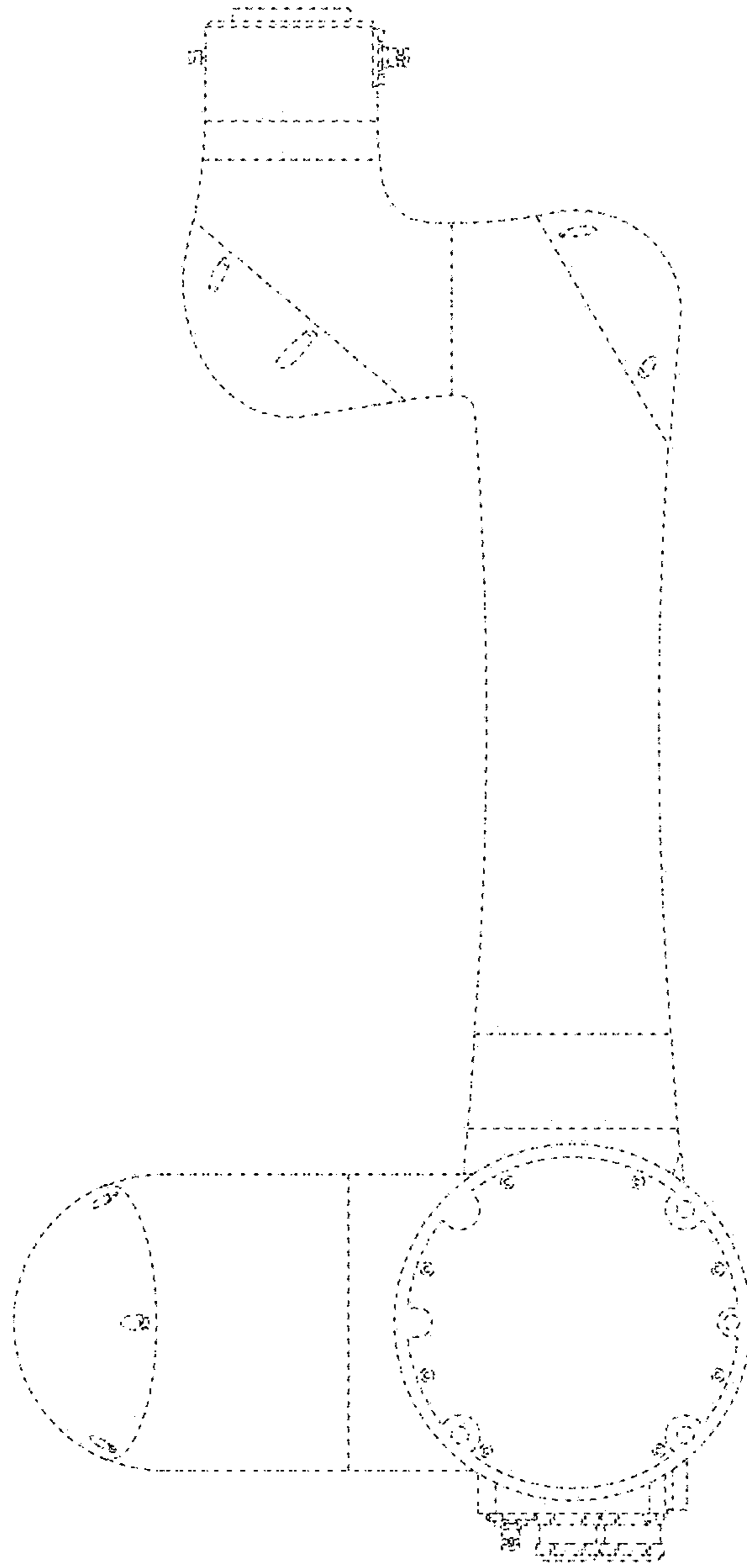


FIG. 8

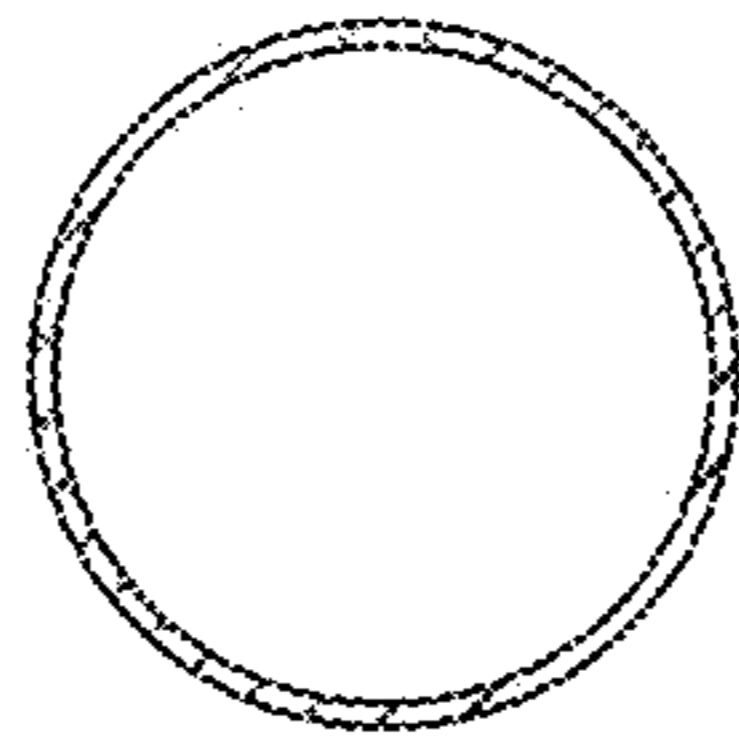


FIG. 9

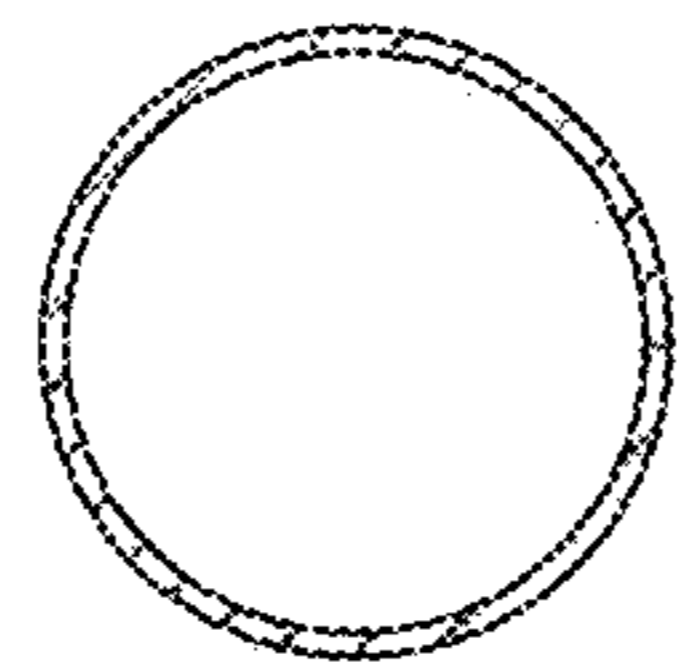


FIG. 10

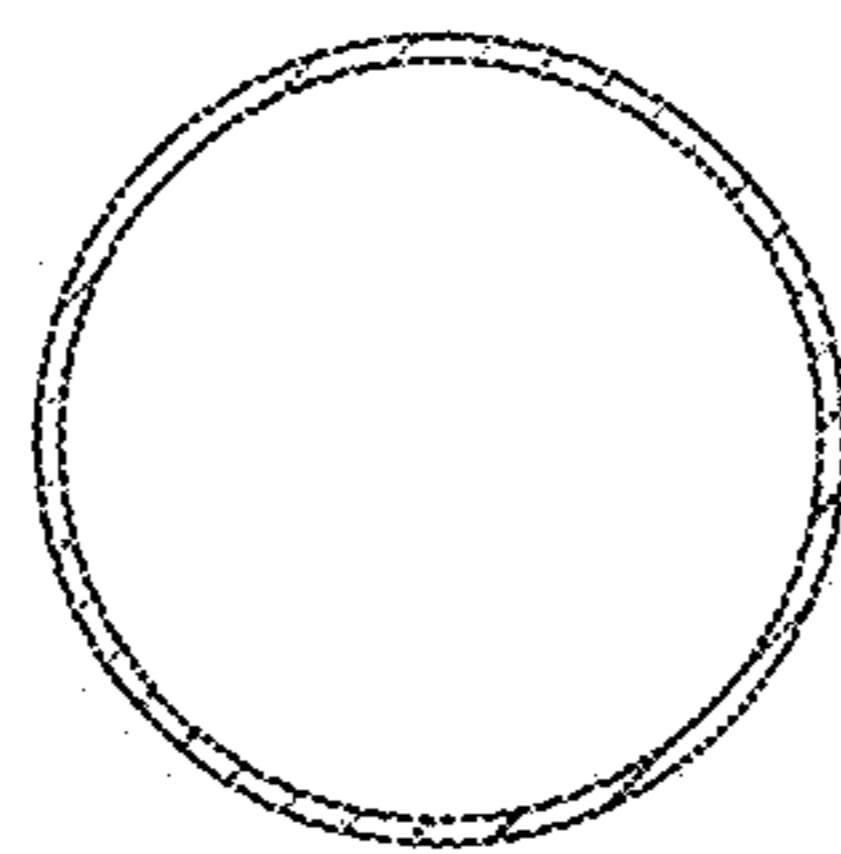


FIG. 11