



US00D938505S

(12) **United States Design Patent** (10) **Patent No.:** **US D938,505 S**
Yamashiro et al. (45) **Date of Patent:** **** Dec. 14, 2021**

(54) **INDUSTRIAL ROBOT**
(71) Applicant: **FANUC CORPORATION**, Yamanashi (JP)
(72) Inventors: **Hikaru Yamashiro**, Yamanashi (JP); **Kei Watanabe**, Yamanashi (JP); **Keishi Yoneda**, Yamanashi (JP); **Masahide Shinagawa**, Yamanashi (JP); **Harutora Inaba**, Yamanashi (JP)
(73) Assignee: **FANUC CORPORATION**, Yamanashi (JP)

D300,935 S * 5/1989 Maddock D15/122
D307,282 S * 4/1990 Suica D15/199
D334,581 S * 4/1993 Yoshikawa D15/199
D344,279 S * 2/1994 Koyama D15/199
D344,280 S * 2/1994 Koyama D15/199
D410,477 S * 6/1999 Nihei D15/199
D440,241 S * 4/2001 Kawahara D15/199
D443,287 S * 6/2001 Kawahara D15/199
D444,488 S * 7/2001 Selic D15/199
D449,057 S * 10/2001 Selic D15/199
D615,574 S * 5/2010 Liu D15/199
D616,477 S * 5/2010 Long D15/199
D616,909 S * 6/2010 Long D15/199
D624,104 S * 9/2010 Miyake D15/199

(Continued)

(**) Term: **15 Years**

FOREIGN PATENT DOCUMENTS

(21) Appl. No.: **29/737,919**

WO WO-2021017175 A1 * 2/2021

(22) Filed: **Jun. 12, 2020**

Primary Examiner — Patricia A Palasik

(30) **Foreign Application Priority Data**

(74) *Attorney, Agent, or Firm* — Banner & Witcoff, Ltd.

Dec. 13, 2019 (JP) 2019-027712

(51) **LOC (13) Cl.** **15-99**

(52) **U.S. Cl.**
USPC **D15/199**

(58) **Field of Classification Search**
USPC D15/122, 199; D21/578–583; D32/21; D34/34
CPC B25J 9/046; B25J 9/042; B25J 9/06; H01L 21/67766
See application file for complete search history.

(57) **CLAIM**

The ornamental design for an industrial robot, as shown and described.

DESCRIPTION

FIG. 1 is a first perspective view of an industrial robot showing our new design;
FIG. 2 is a second perspective view thereof;
FIG. 3 is a front view thereof;
FIG. 4 is a rear view thereof;
FIG. 5 is a right side view thereof;
FIG. 6 is a left side view thereof;
FIG. 7 is a top plan thereof; and,
FIG. 8 is a bottom plan view thereof.

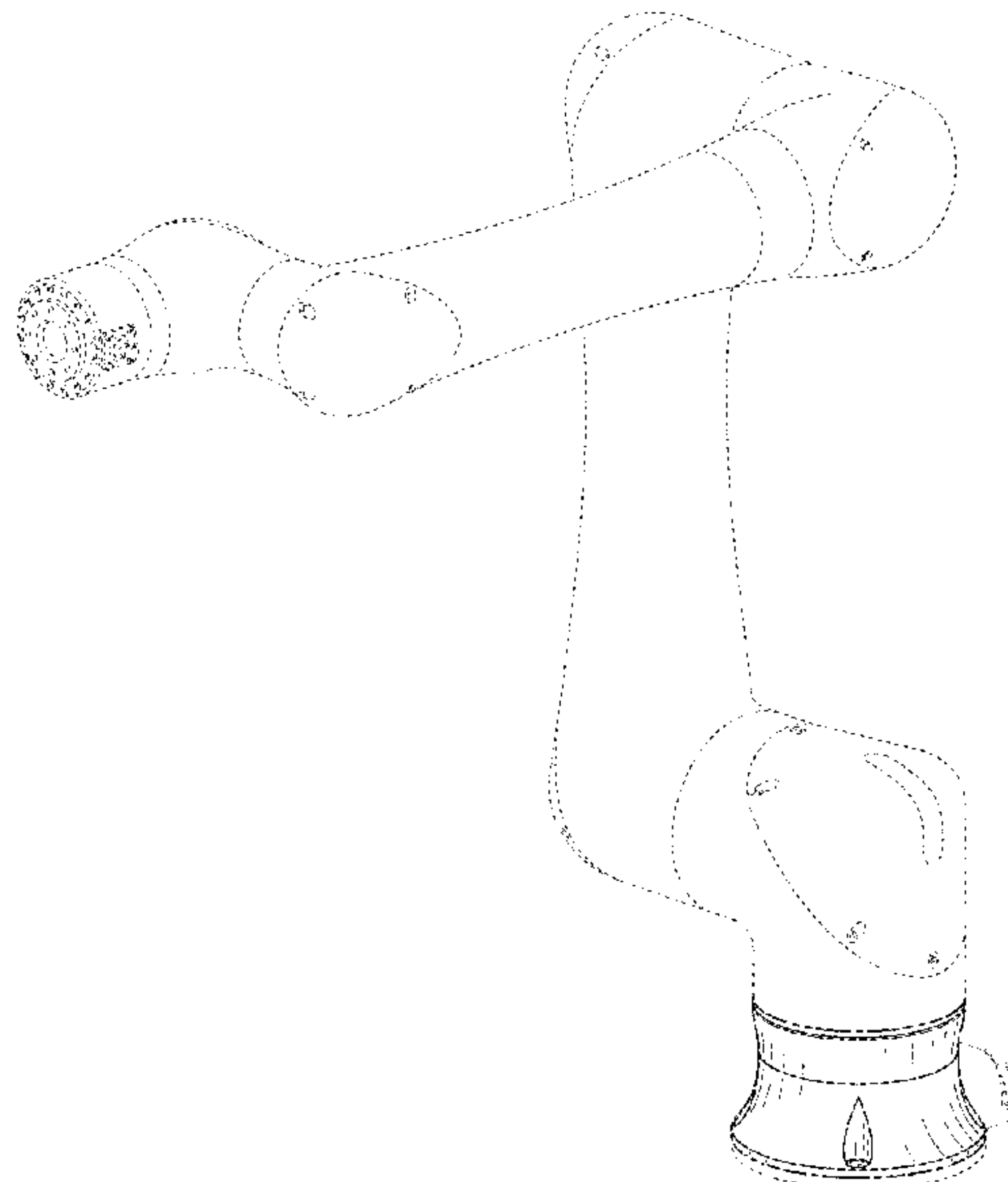
The uneven-length broken lines define the bounds of the claimed design and form no part thereof. The even-length broken line showing of the remainder of the industrial robot forms no part of the claimed design.

(56) **References Cited**

U.S. PATENT DOCUMENTS

D267,883 S * 2/1983 Susnjara D15/122
D269,681 S * 7/1983 Morser D15/122
D279,572 S * 7/1985 Yasuoka D15/122
D287,368 S * 12/1986 Shibayama D15/122
D293,449 S * 12/1987 Kaufmann D15/122
D296,790 S * 7/1988 Tsuburaya D15/122

1 Claim, 8 Drawing Sheets



(56)

References Cited

U.S. PATENT DOCUMENTS

7,810,765 B2 * 10/2010 Burlot H02G 3/0481
 248/75
 D629,030 S * 12/2010 Long D15/199
 D636,803 S * 4/2011 Nakagiri D15/199
 D650,820 S * 12/2011 Long D15/199
 D651,627 S * 1/2012 Long D15/199
 D678,378 S * 3/2013 Selic D15/199
 D681,708 S * 5/2013 Miyake D15/199
 8,434,387 B2 * 5/2013 Nakagiri B25J 9/104
 74/665 R
 D690,753 S * 10/2013 Liu D15/199
 D707,277 S * 6/2014 Olsson D15/199
 D713,436 S * 9/2014 Liu D15/199
 D766,348 S * 9/2016 Long D15/199
 D769,343 S * 10/2016 Bordegnoni D15/199
 D769,954 S * 10/2016 Kinoshita D15/199

D778,971 S * 2/2017 Long D15/199
 D802,041 S * 11/2017 He D15/199
 D837,294 S * 1/2019 Ciniello D19/59
 D841,707 S * 2/2019 Yamamoto D15/199
 D852,863 S * 7/2019 Dosho D15/199
 D865,828 S * 11/2019 Bogart D15/199
 D870,169 S * 12/2019 Dosho D15/199
 D877,787 S * 3/2020 Kinoshita D15/199
 D881,251 S * 4/2020 Abe D15/199
 D896,859 S * 9/2020 Naitou D15/199
 D905,774 S * 12/2020 Inoue D15/199
 D911,408 S * 2/2021 Okada D15/199
 2005/0092122 A1 * 5/2005 Markert B25J 19/0075
 74/490.01
 2005/0126327 A1 * 6/2005 Markert B25J 19/0054
 74/490.02
 2008/0271561 A1 * 11/2008 Ohara B25J 9/0018
 74/490.01

* cited by examiner

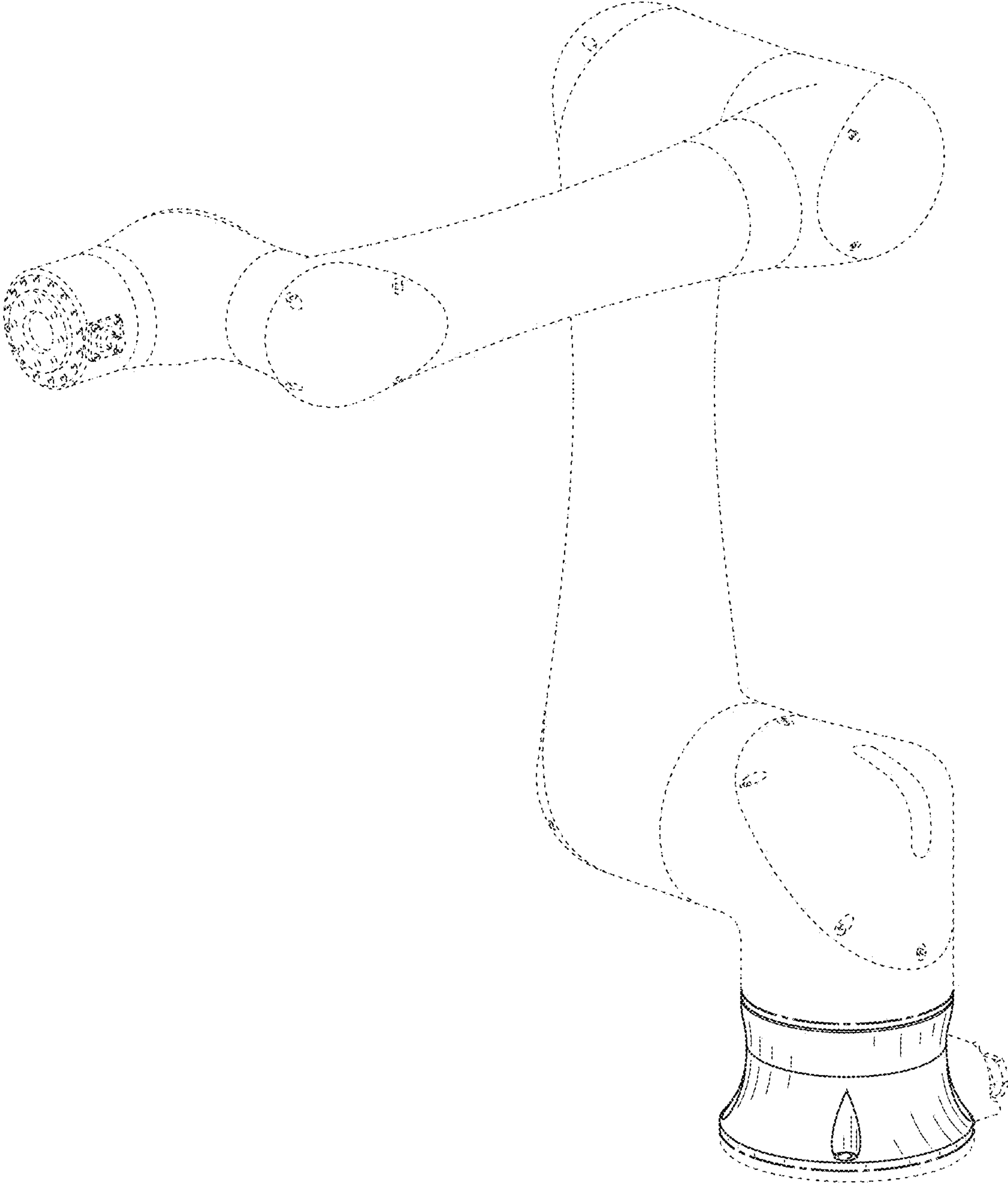


FIG. 1

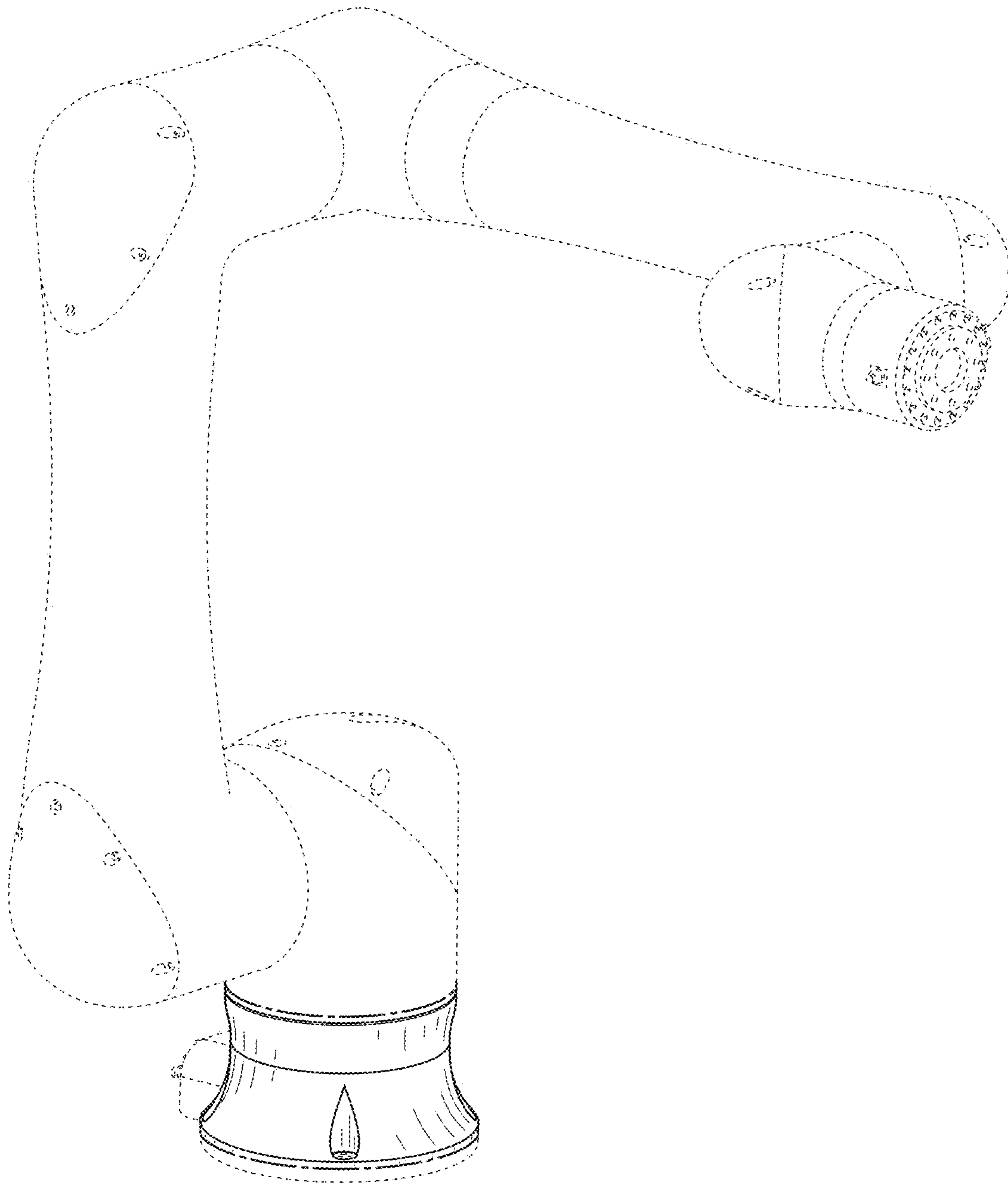


FIG. 2

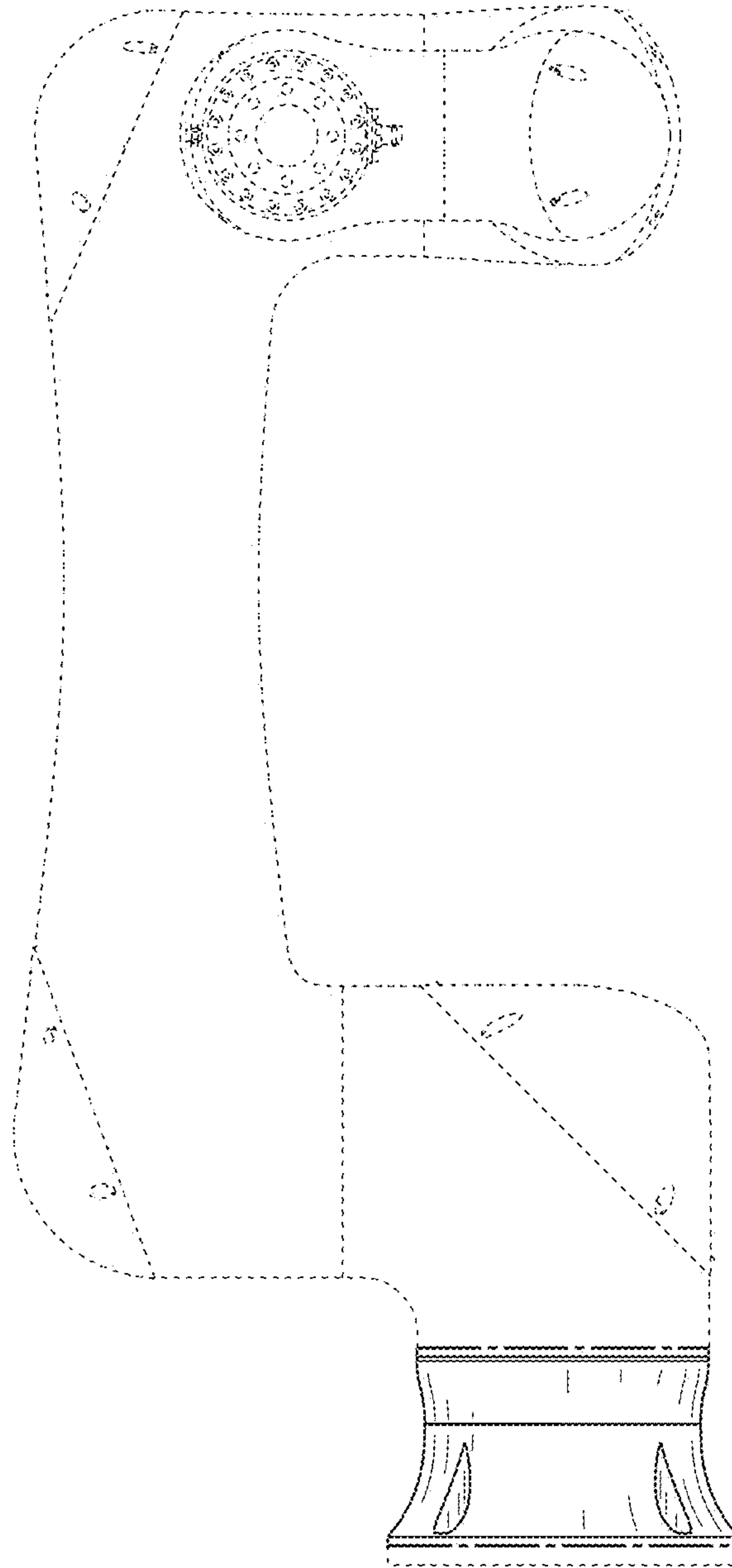


FIG. 3

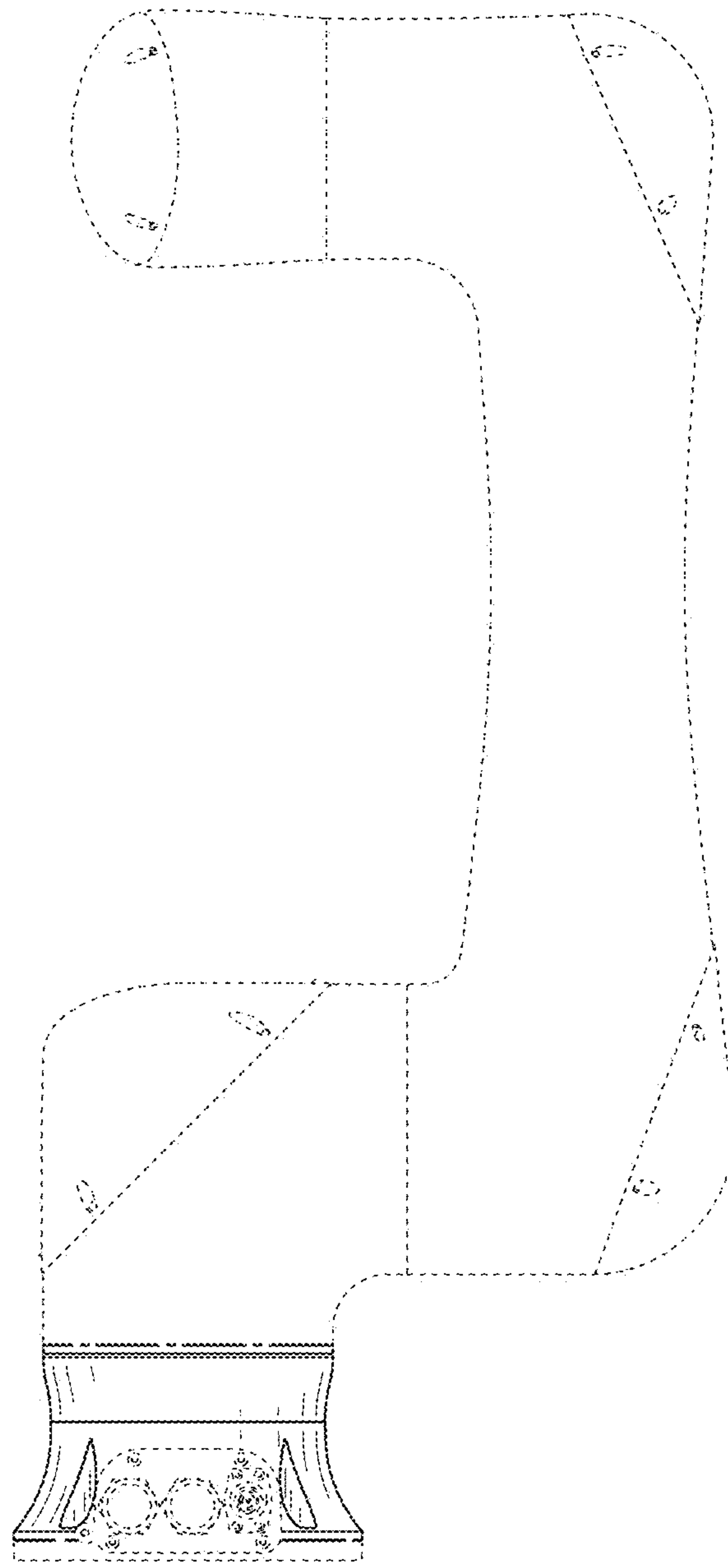


FIG. 4

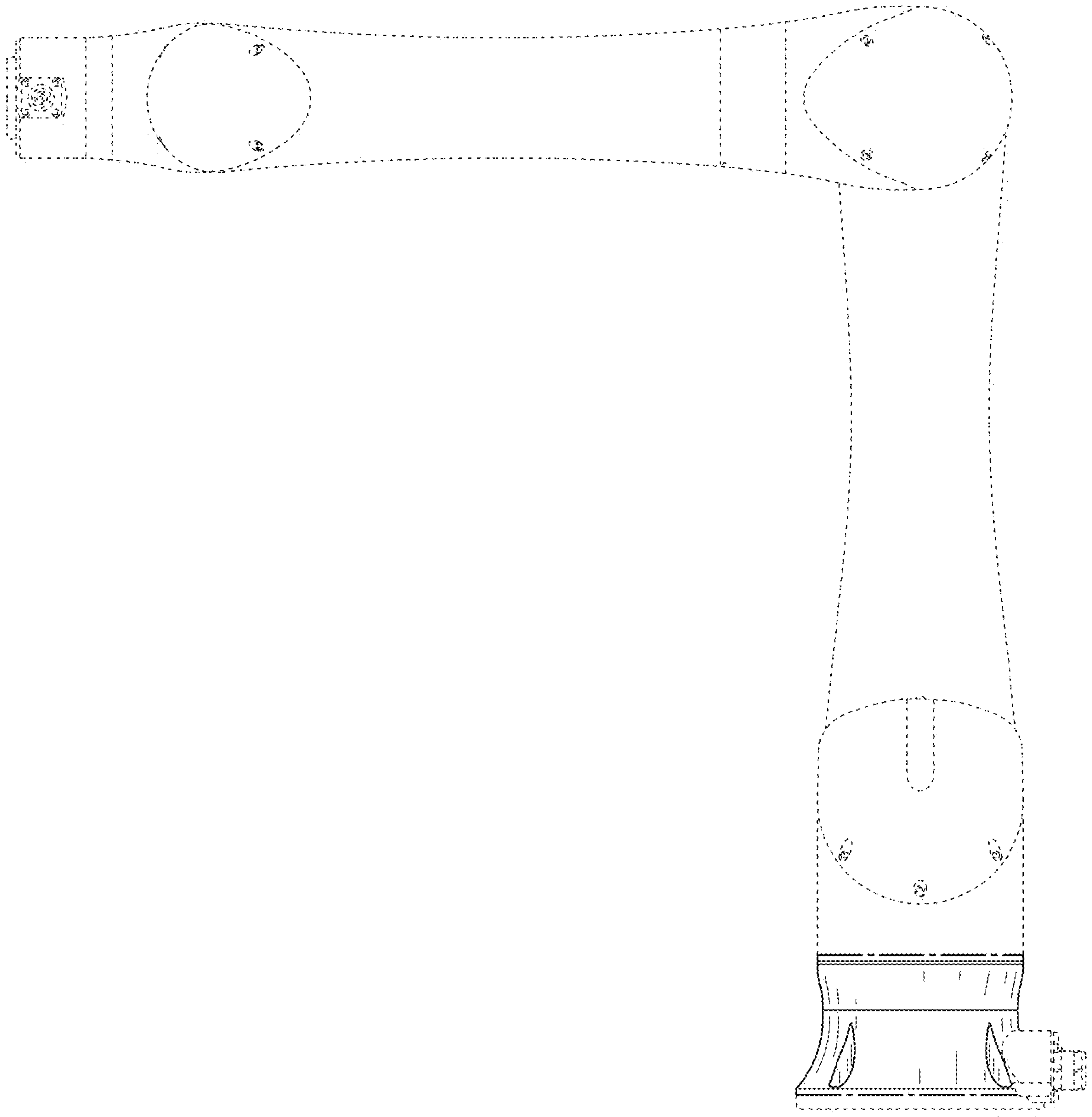


FIG. 5

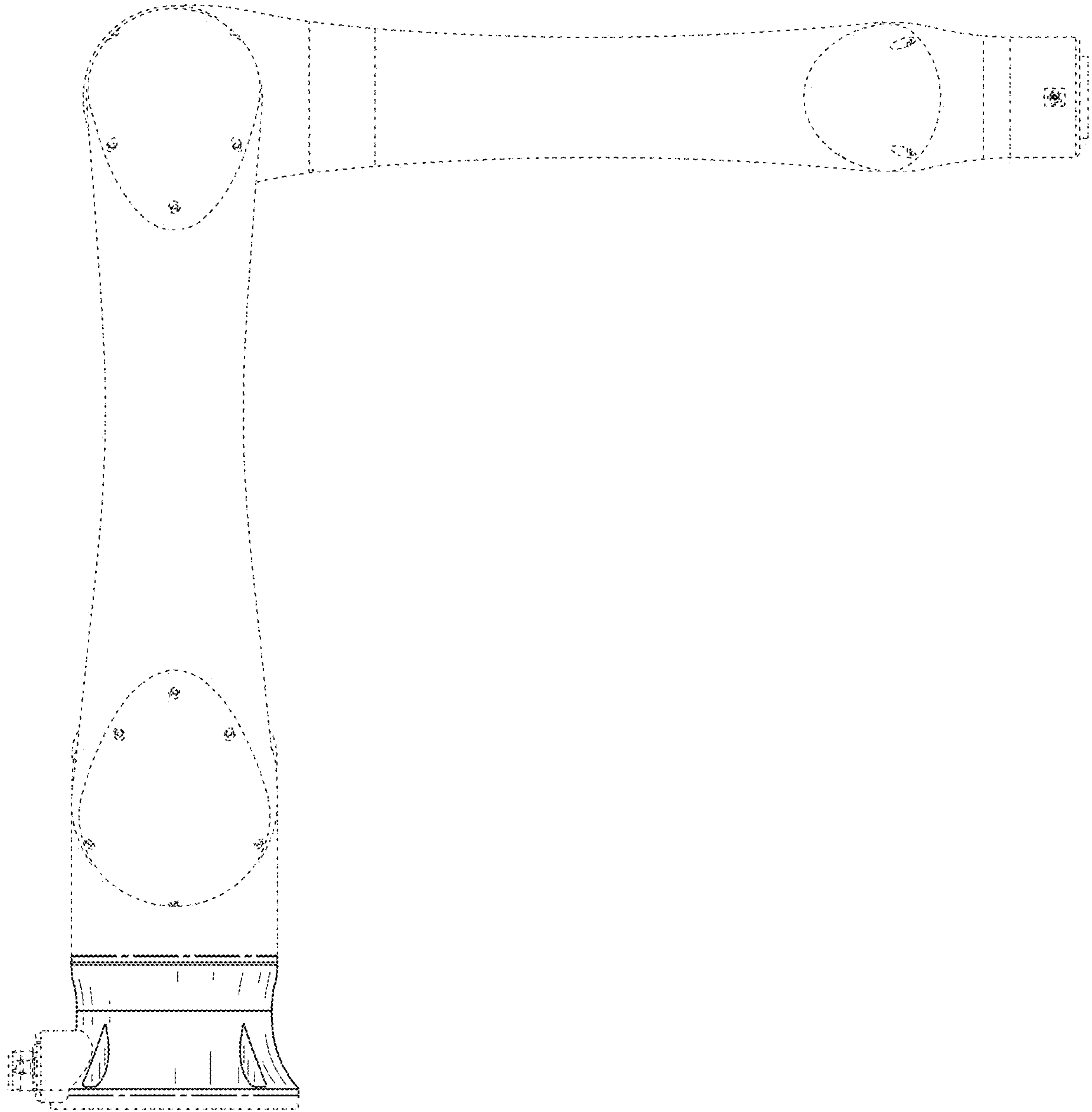


FIG. 6

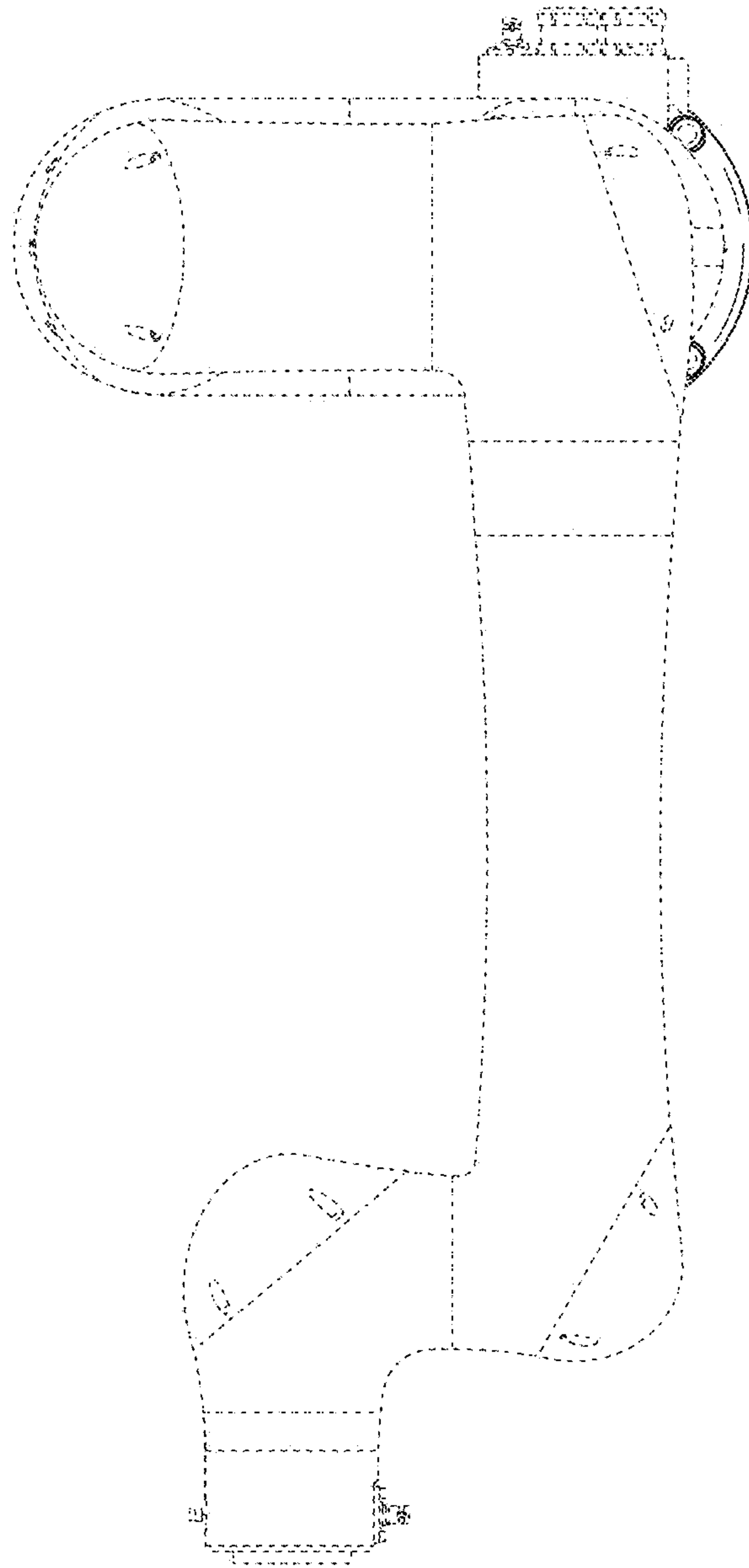


FIG. 7

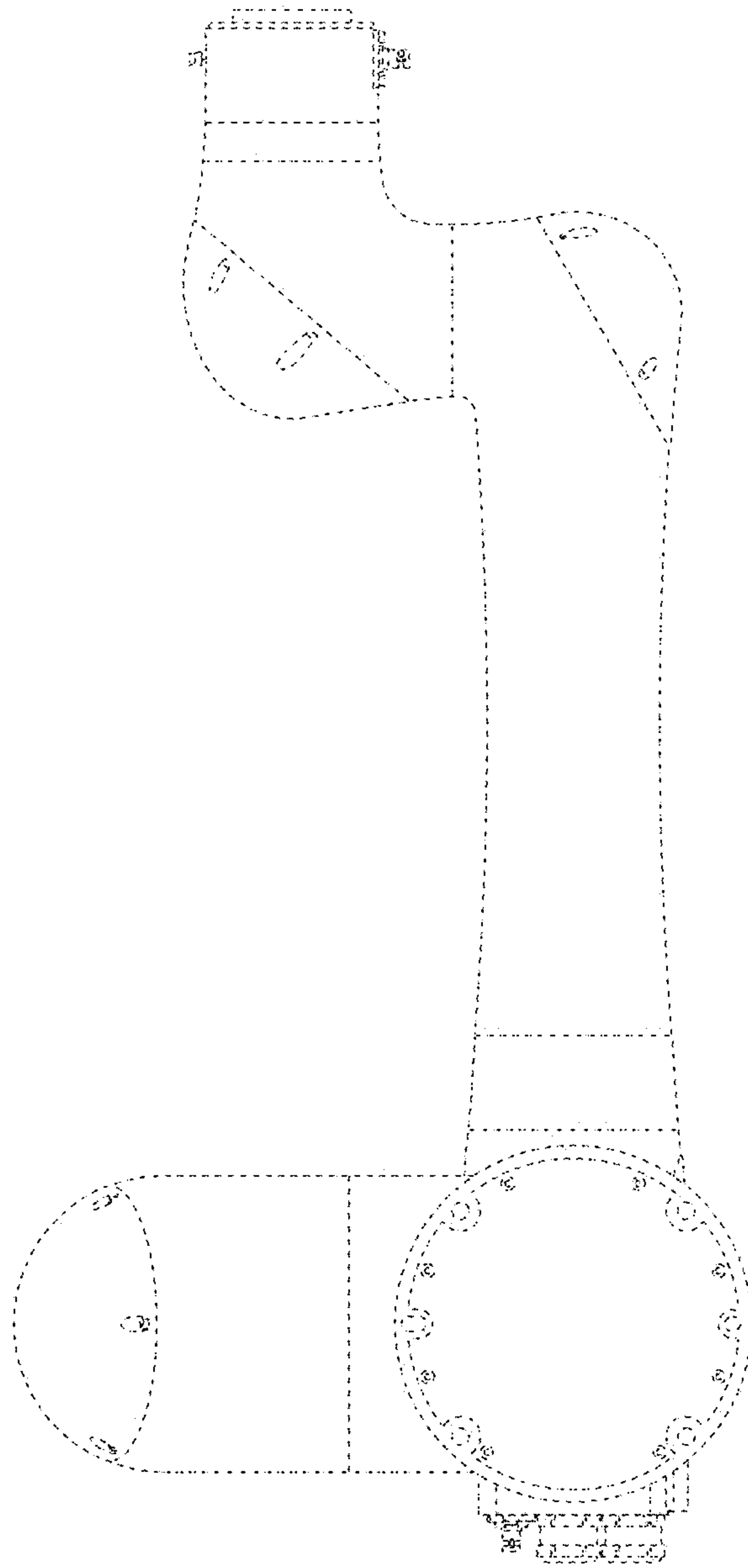


FIG. 8