



US00D938504S

(12) **United States Design Patent** (10) **Patent No.:** **US D938,504 S**
Van Fossen (45) **Date of Patent:** **** Dec. 14, 2021**

- (54) **SOLDERING STATION**
- (71) Applicant: **Apex Brands, Inc.**, Apex, NC (US)
- (72) Inventor: **Eric Van Fossen**, Huntersville, NC (US)
- (73) Assignee: **Apex Brands, Inc.**, Apex, NC (US)
- (**) Term: **15 Years**
- (21) Appl. No.: **29/709,766**
- (22) Filed: **Oct. 17, 2019**
- (51) **LOC (13) Cl.** **15-09**
- (52) **U.S. Cl.**
 USPC **D15/144.2**
- (58) **Field of Classification Search**
 USPC D8/29.1, 29.2, 30; D10/78; D14/126;
 D15/122, 144, 144.1, 144.2
 CPC B23K 3/08; B23K 3/033; B23K 3/0369;
 G05D 23/2401
- See application file for complete search history.

(56) **References Cited**

U.S. PATENT DOCUMENTS

- D274,882 S * 7/1984 Rittmann D15/144
 D398,016 S * 9/1998 Neef D15/144.2
 D415,435 S * 10/1999 Yoshimura D10/50
 D428,427 S * 7/2000 Neef D15/144.2
 D490,448 S * 5/2004 Ishihara D15/144
 D530,349 S * 10/2006 Ishihara D15/144.2
 D550,731 S * 9/2007 Ishihara D15/144.2
 D569,884 S * 5/2008 Shu D15/144
 D620,328 S * 7/2010 Masaki D8/30
 D623,206 S * 9/2010 Mittmann D15/144
 D656,525 S * 3/2012 Mochizuki D15/144.2
 D703,715 S * 4/2014 Kita D15/144
 D740,339 S * 10/2015 Teraoka D15/144.2

- D762,254 S * 7/2016 Kita D15/144.2
 D762,754 S * 8/2016 Kita D15/144.2
 D780,241 S * 2/2017 Teraoka D15/144.2
 D790,613 S * 6/2017 Fischer D15/144.2
 D829,790 S * 10/2018 Gou D15/144
 D829,791 S * 10/2018 Fischer D15/144.2
 D832,901 S * 11/2018 Gou D15/144
 D879,849 S * 3/2020 Kita D15/144.2
 D888,789 S * 6/2020 Gou D15/144.2
 D911,403 S * 2/2021 Gou D15/144.2
 2005/0263512 A1 * 12/2005 Fosbinder B23K 9/1087
 219/132
 2015/0083707 A1 * 3/2015 Miyazaki B23K 3/03
 219/238
 2016/0175959 A1 * 6/2016 Mochizuki B23K 3/029
 228/20.5

* cited by examiner

Primary Examiner — Patricia A Palasik

(74) *Attorney, Agent, or Firm* — Burr & Forman, LLP

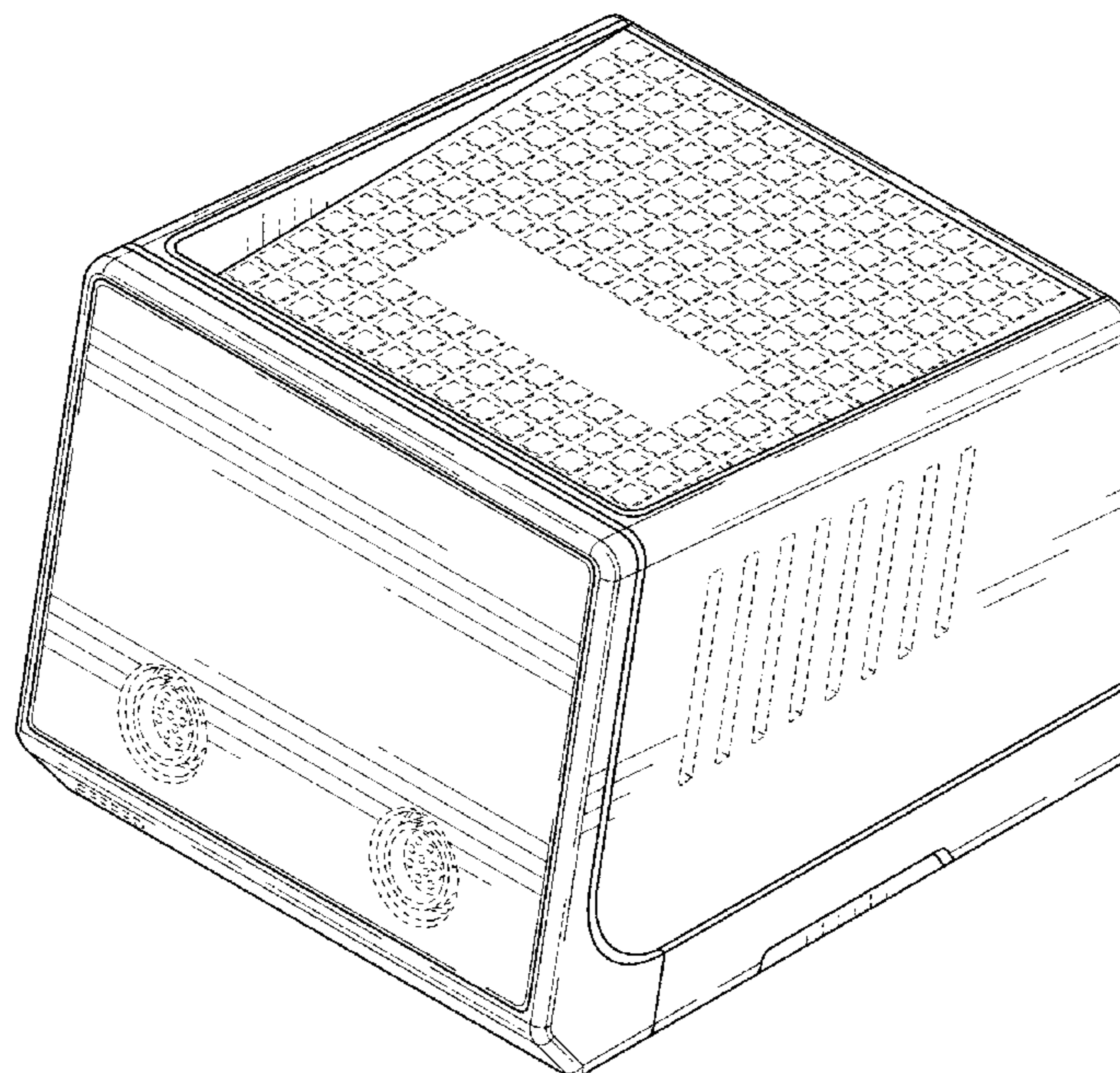
(57) **CLAIM**

The ornamental design for the soldering station, as shown and described.

DESCRIPTION

FIG. 1 is a perspective view of a soldering station in accordance with an embodiment of the present invention; FIG. 2 is a front view of the soldering station of FIG. 1; FIG. 3 is a rear view of the soldering station of FIG. 1; FIG. 4 is a right side view of the soldering station of FIG. 1; FIG. 5 is a left side view of the soldering station of FIG. 1; FIG. 6 is a top view of the soldering station of FIG. 1; and, FIG. 7 is a bottom view of the soldering station of FIG. 1. The broken lines of the soldering station in FIGS. 1-7 are illustrative of portions of the soldering station that form no part of the claimed design.

1 Claim, 7 Drawing Sheets



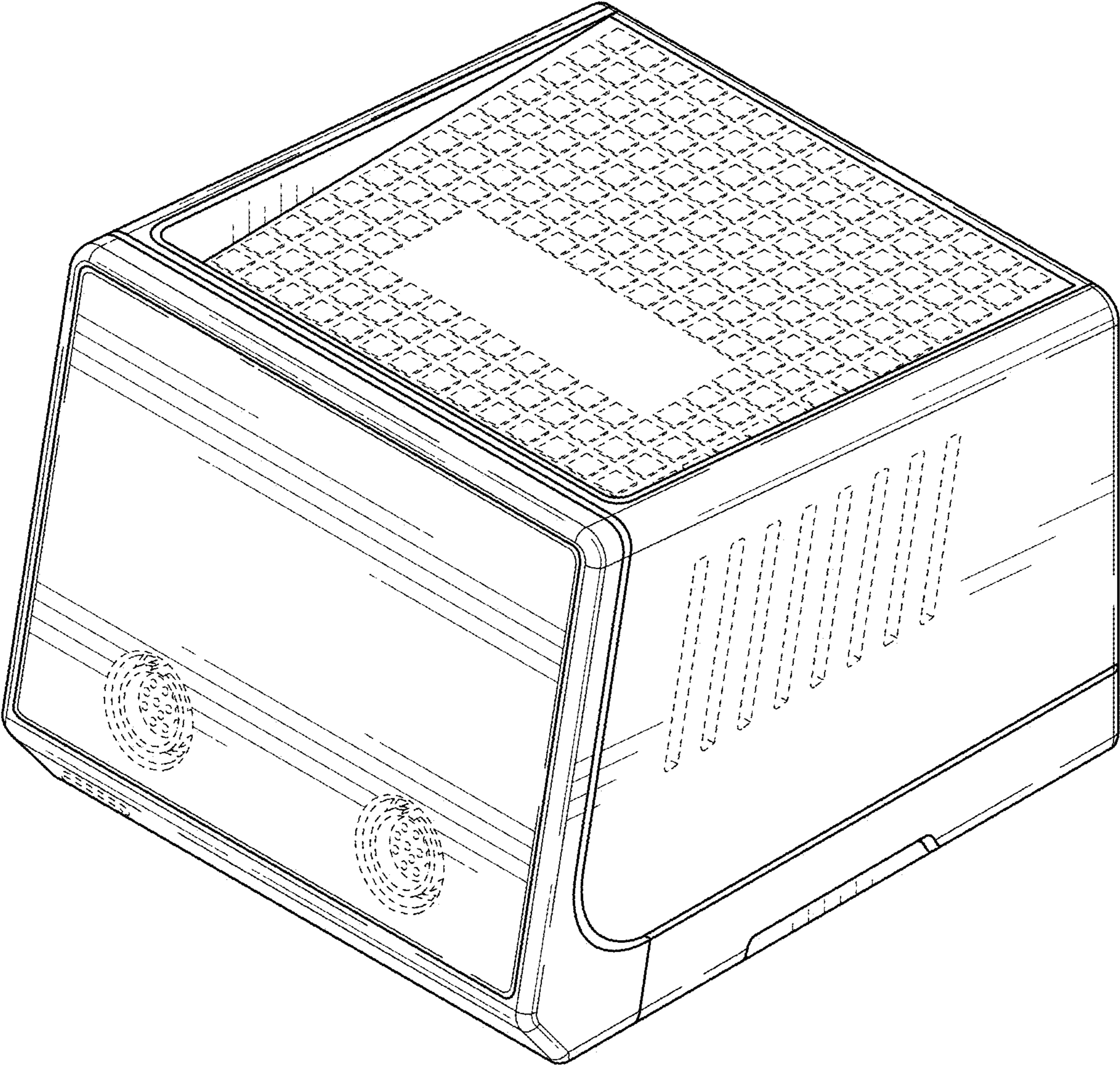


FIG. 1

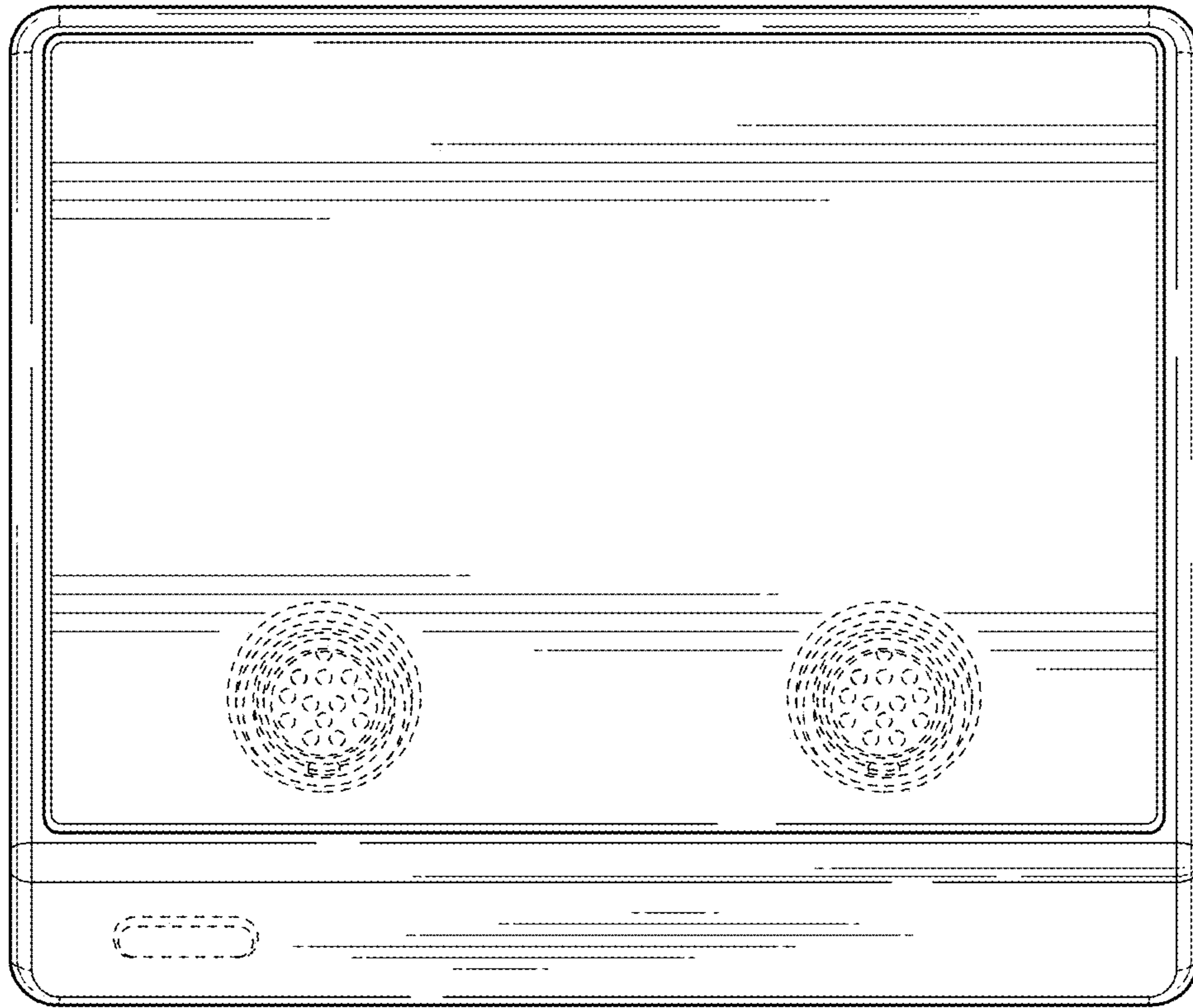


FIG. 2

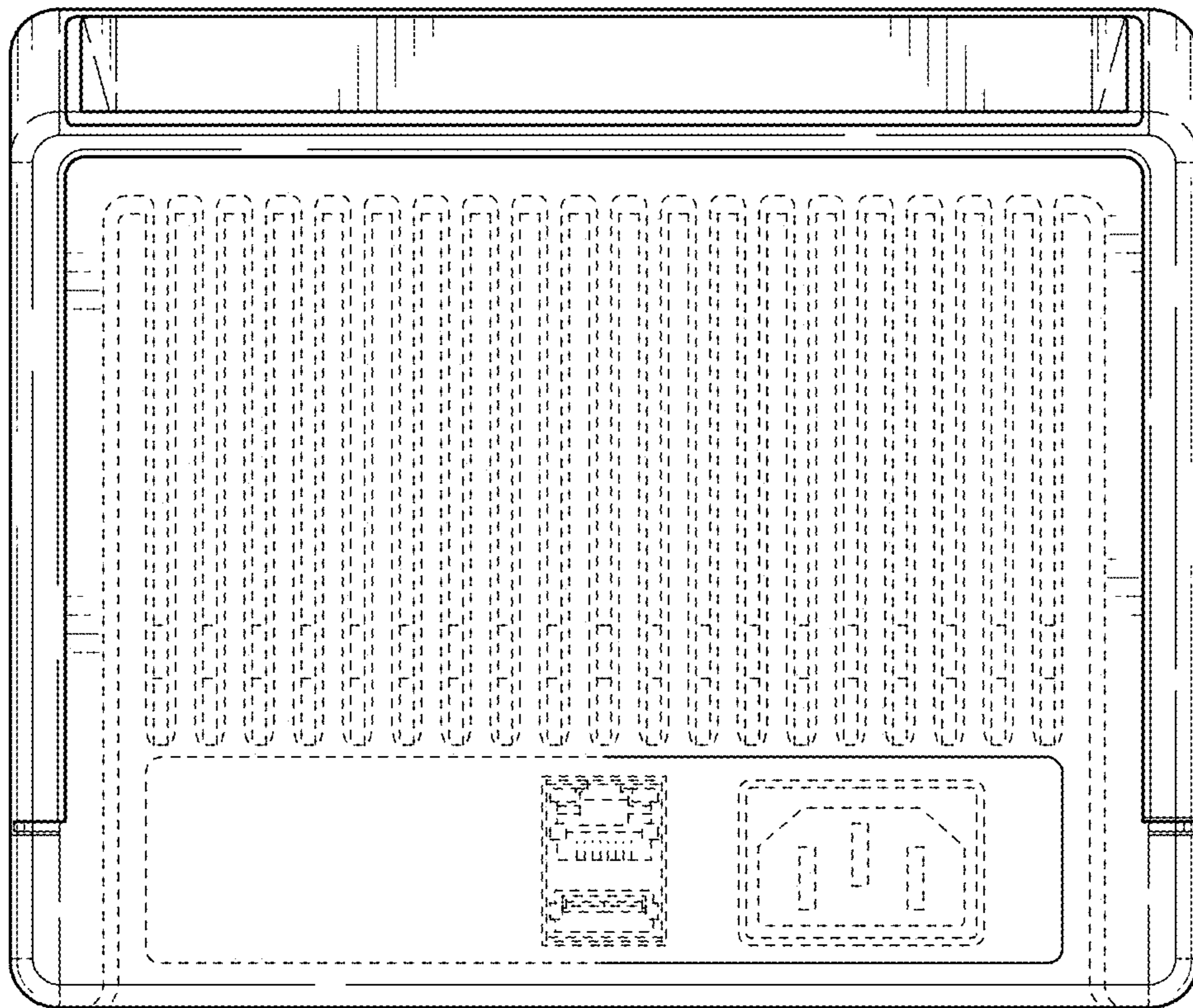


FIG. 3

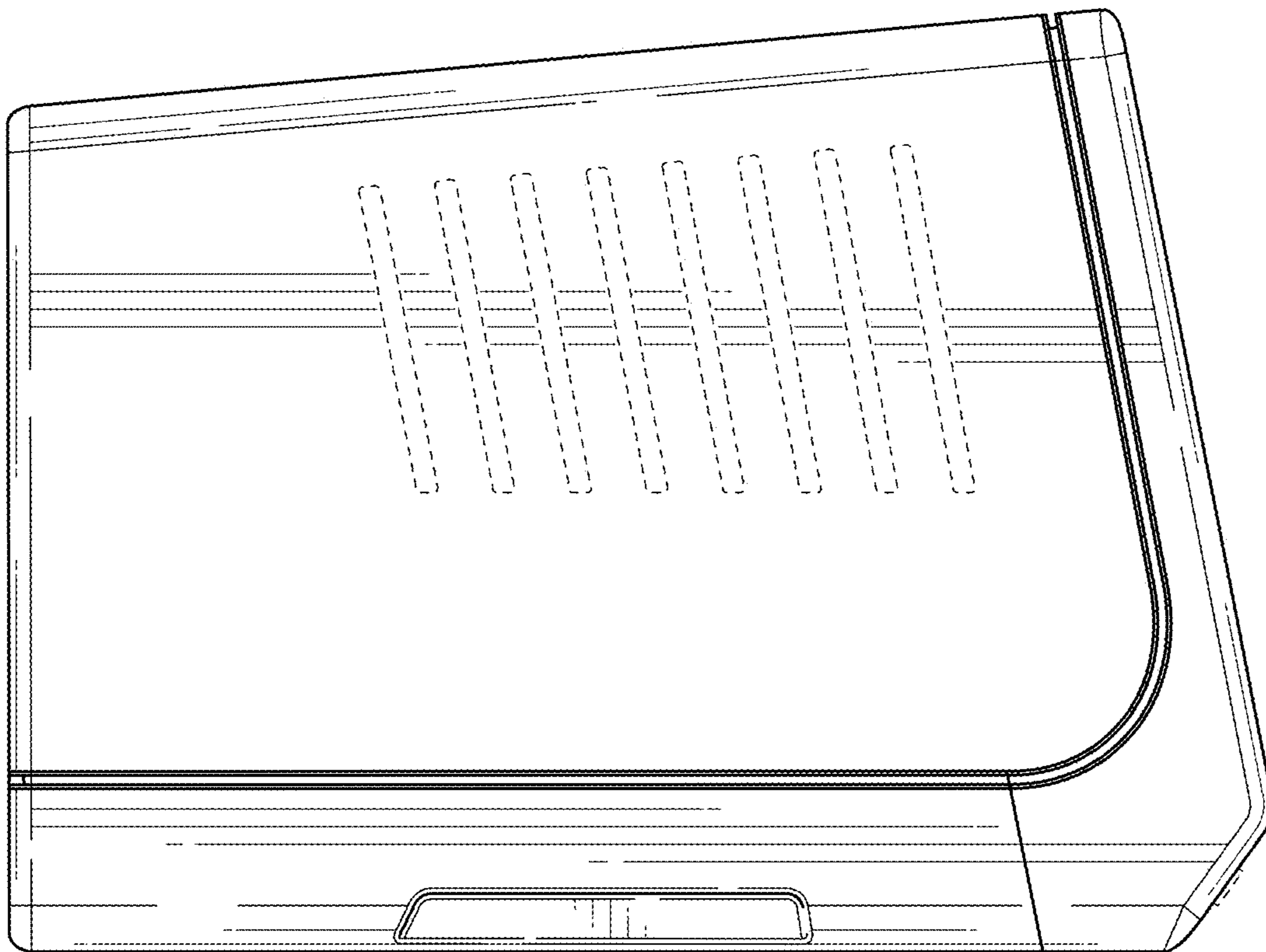


FIG. 4

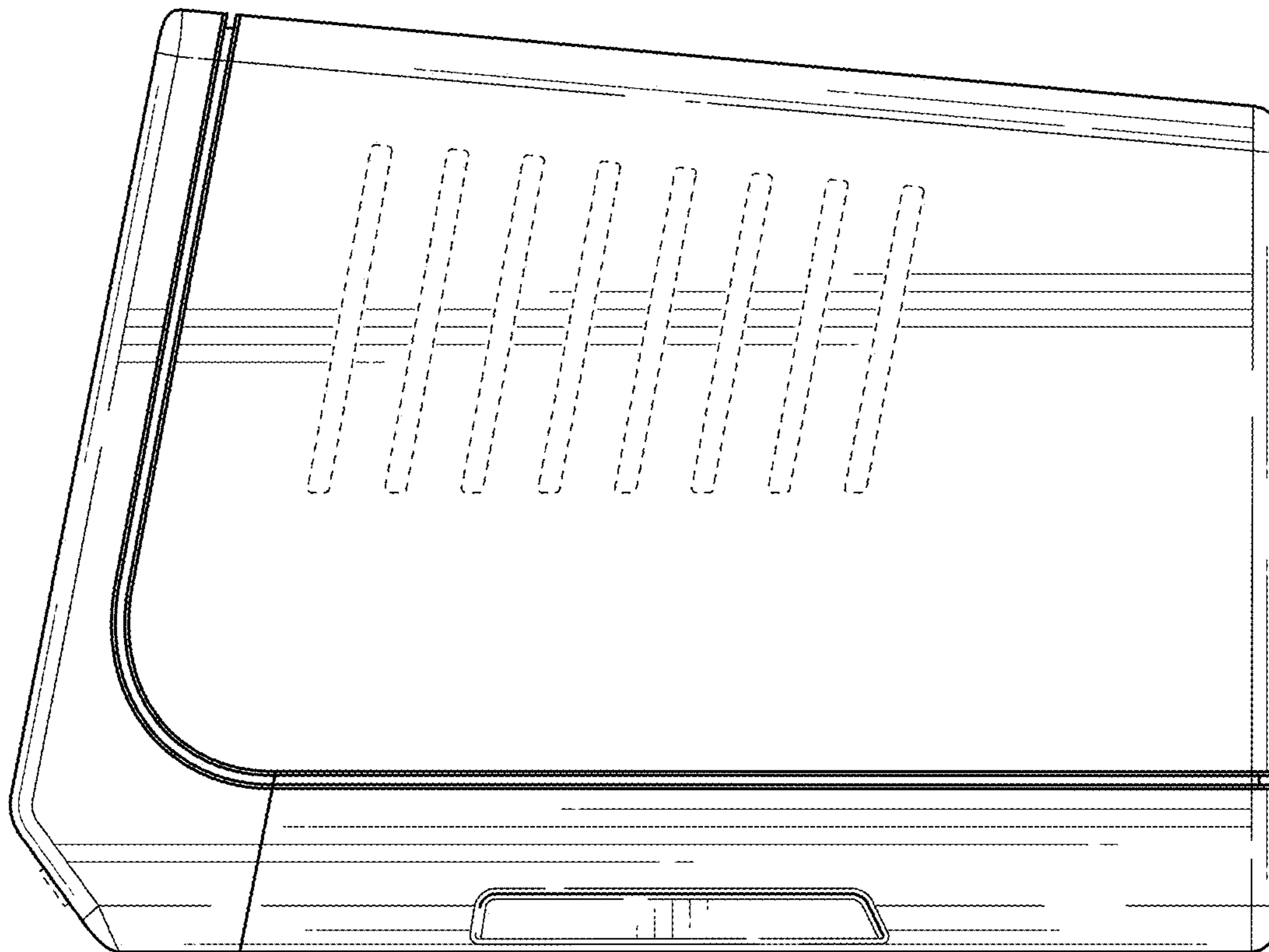


FIG. 5

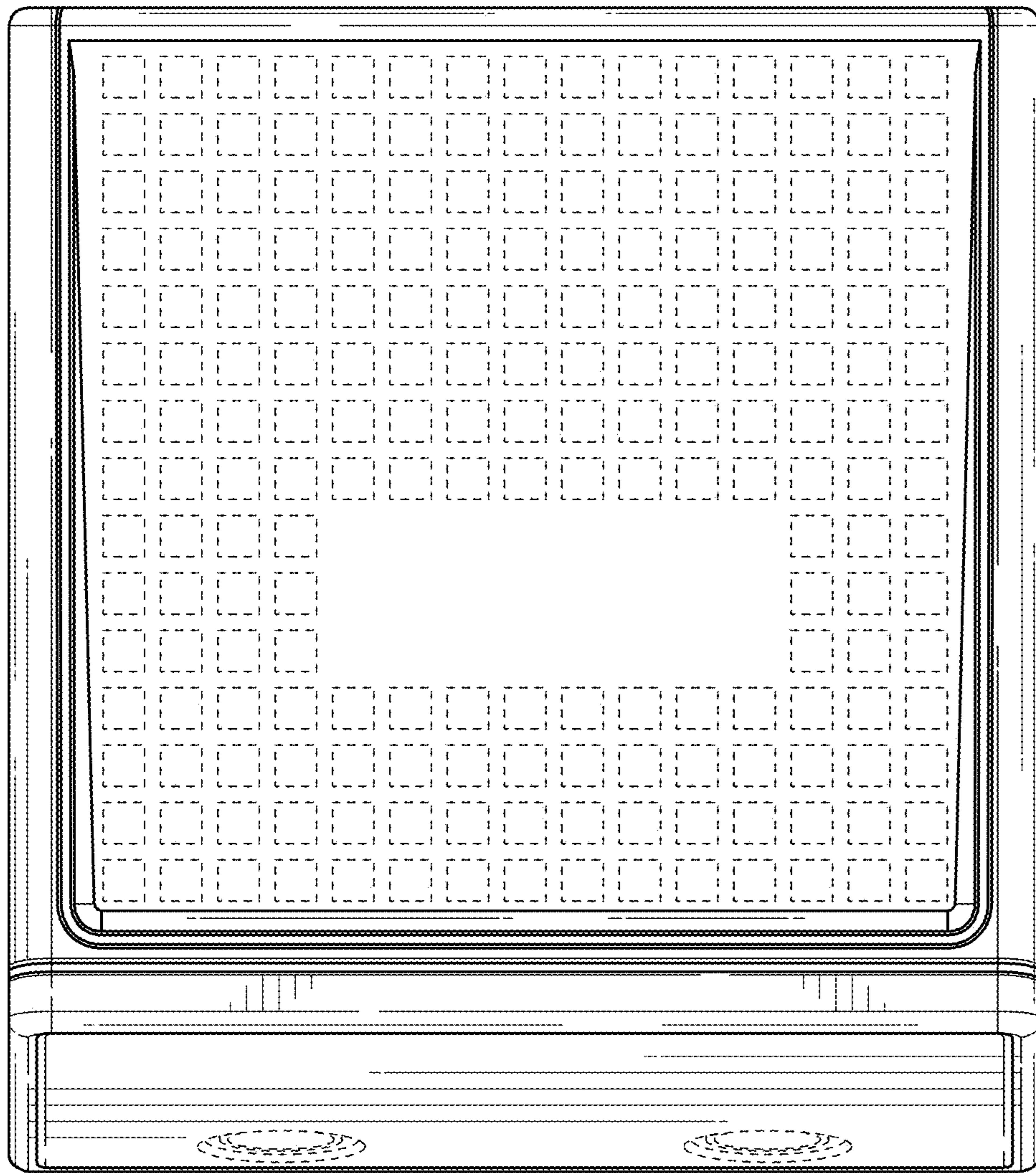


FIG. 6

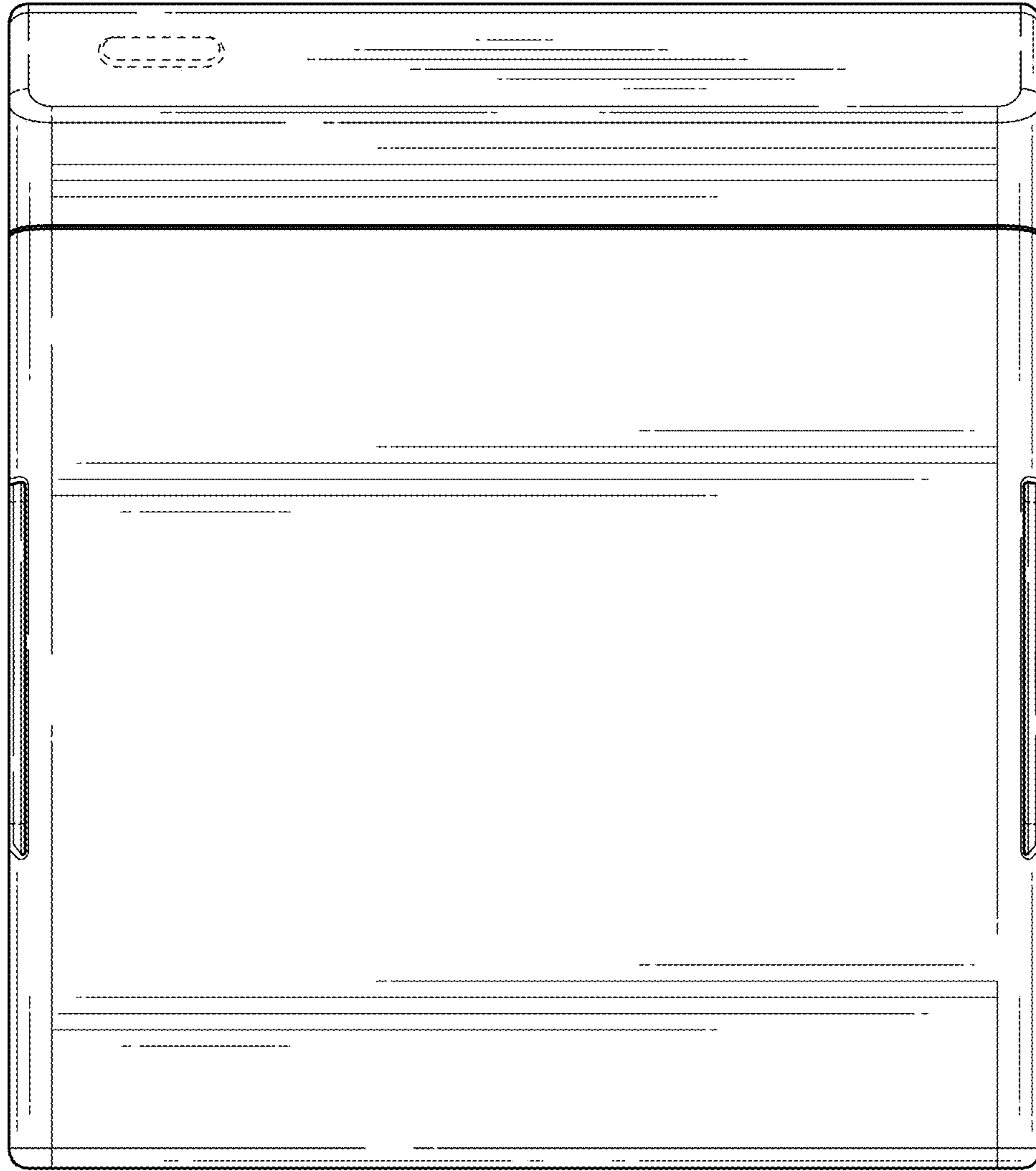


FIG. 7