



US00D938502S

(12) **United States Design Patent**
Yang et al.

(10) **Patent No.:** **US D938,502 S**

(45) **Date of Patent:** **** Dec. 14, 2021**

- (54) **3D PRINTER**
- (71) Applicant: **Suzhou Laisai Intelligent Technology Co., Ltd., Shanghai (CN)**
- (72) Inventors: **Yuanqing Yang, Shanghai (CN); Zhen Liu, Shanghai (CN)**
- (73) Assignee: **Suzhou Laisai Intelligent Technology Co., Ltd., Shanghai (CN)**
- (**) Term: **15 Years**
- (21) Appl. No.: **29/738,104**
- (22) Filed: **Jun. 15, 2020**

- (30) **Foreign Application Priority Data**
Jan. 6, 2020 (CN) 202030006854.7
- (51) **LOC (13) Cl.** **15-09**
- (52) **U.S. Cl.**
USPC **D15/122**
- (58) **Field of Classification Search**
USPC D15/122, 135, 138, 145, 146; D18/6-7,
D18/14, 19, 50, 54, 54.1, 55, 59
CPC .. B29C 47/12; B29C 67/0059; B29C 67/6659
See application file for complete search history.

- (56) **References Cited**
U.S. PATENT DOCUMENTS
D732,586 S * 6/2015 Chen D15/122
D732,587 S * 6/2015 Hsu D15/122
D740,863 S * 10/2015 Kemperle D15/122
D742,439 S * 11/2015 Kraibuhler D15/122
D751,612 S * 3/2016 Kojima D15/122
D755,860 S * 5/2016 Busato D15/122
D766,998 S * 9/2016 Kao D15/122
D770,545 S * 11/2016 Olive D15/122
D771,164 S * 11/2016 Noorazar D15/122
D777,227 S * 1/2017 Kao D15/122

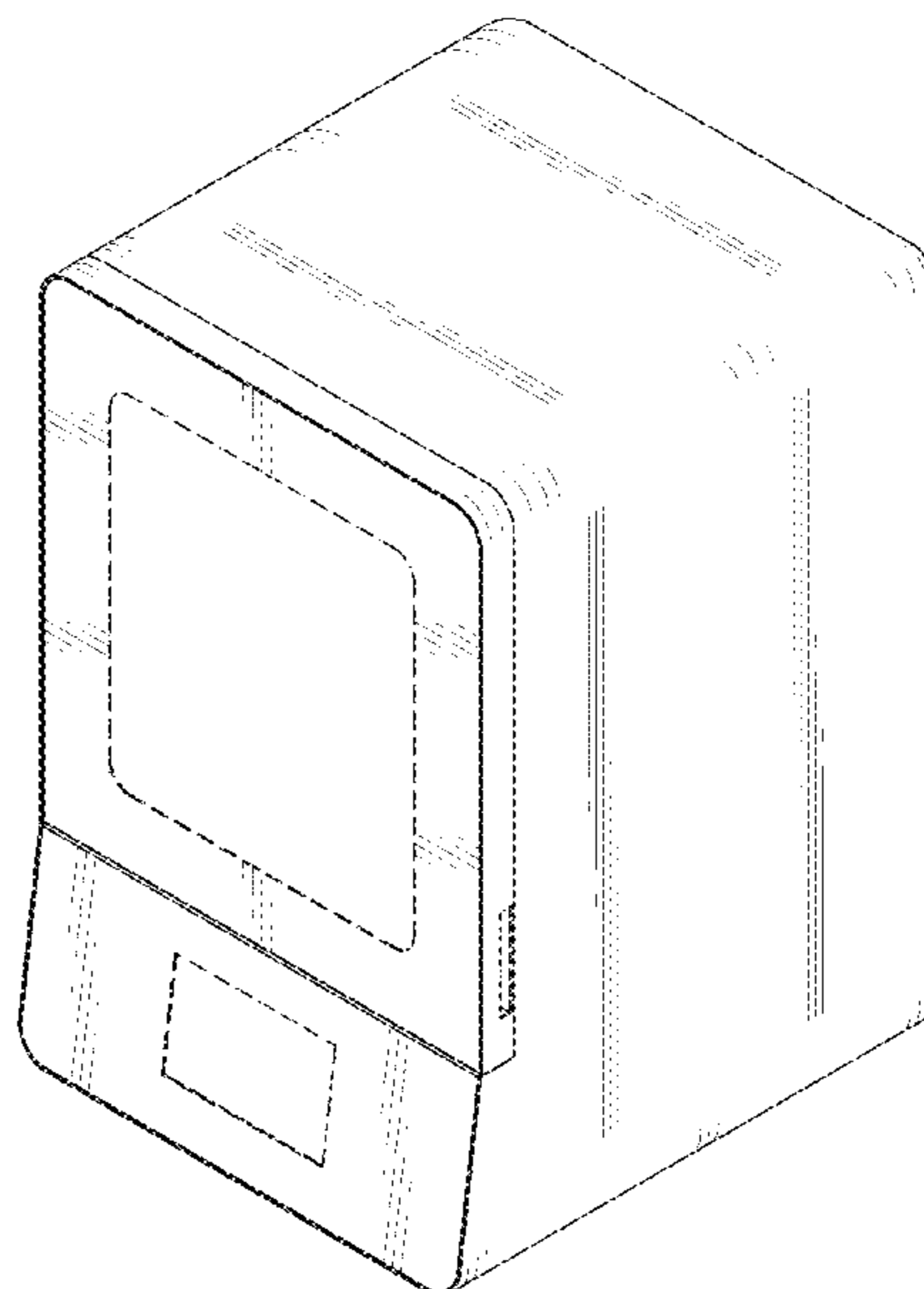
- D777,228 S * 1/2017 Chang D15/122
- D783,693 S * 4/2017 Reches D15/122
- D787,574 S * 5/2017 Lee D15/122
- D794,099 S * 8/2017 Gallo D15/122
- D799,567 S * 10/2017 Cesar D15/122
- D815,159 S * 4/2018 Pagel D15/122
- D835,162 S * 12/2018 Reches D15/122
- D836,141 S * 12/2018 Torrealba D15/122
- D841,702 S * 2/2019 Moroni D15/122
- D850,501 S * 6/2019 Schmitt D15/122
- D854,591 S * 7/2019 Gupta D15/122
- D858,590 S * 9/2019 Kazaoka D15/122
- D861,746 S * 10/2019 Clark, III D15/122
- D864,262 S * 10/2019 Noorazar D15/122
- D893,564 S * 8/2020 Jeffery D15/122
- D895,698 S * 9/2020 Palmer D15/122
- D903,730 S * 12/2020 Johnson D15/122
- D905,134 S * 12/2020 Chen D15/122
- D908,750 S * 1/2021 Oliver Gonzalez D15/122

* cited by examiner
Primary Examiner — Patricia A Palasik
(74) *Attorney, Agent, or Firm* — IPro, PLLC

(57) **CLAIM**
The ornamental design for a 3D printer, as shown and described.

DESCRIPTION
FIG. 1 is a front view of a 3D printer embodying the new design;
FIG. 2 is a back view thereof;
FIG. 3 is a side view thereof;
FIG. 4 is another side view thereof;
FIG. 5 is a bottom view thereof;
FIG. 6 is a top view thereof;
FIG. 7 is a perspective view thereof; and,
FIG. 8 is another perspective view thereof.
In the drawings, the broken lines depict portions of the 3D printer and form no part of the claimed design.

1 Claim, 8 Drawing Sheets



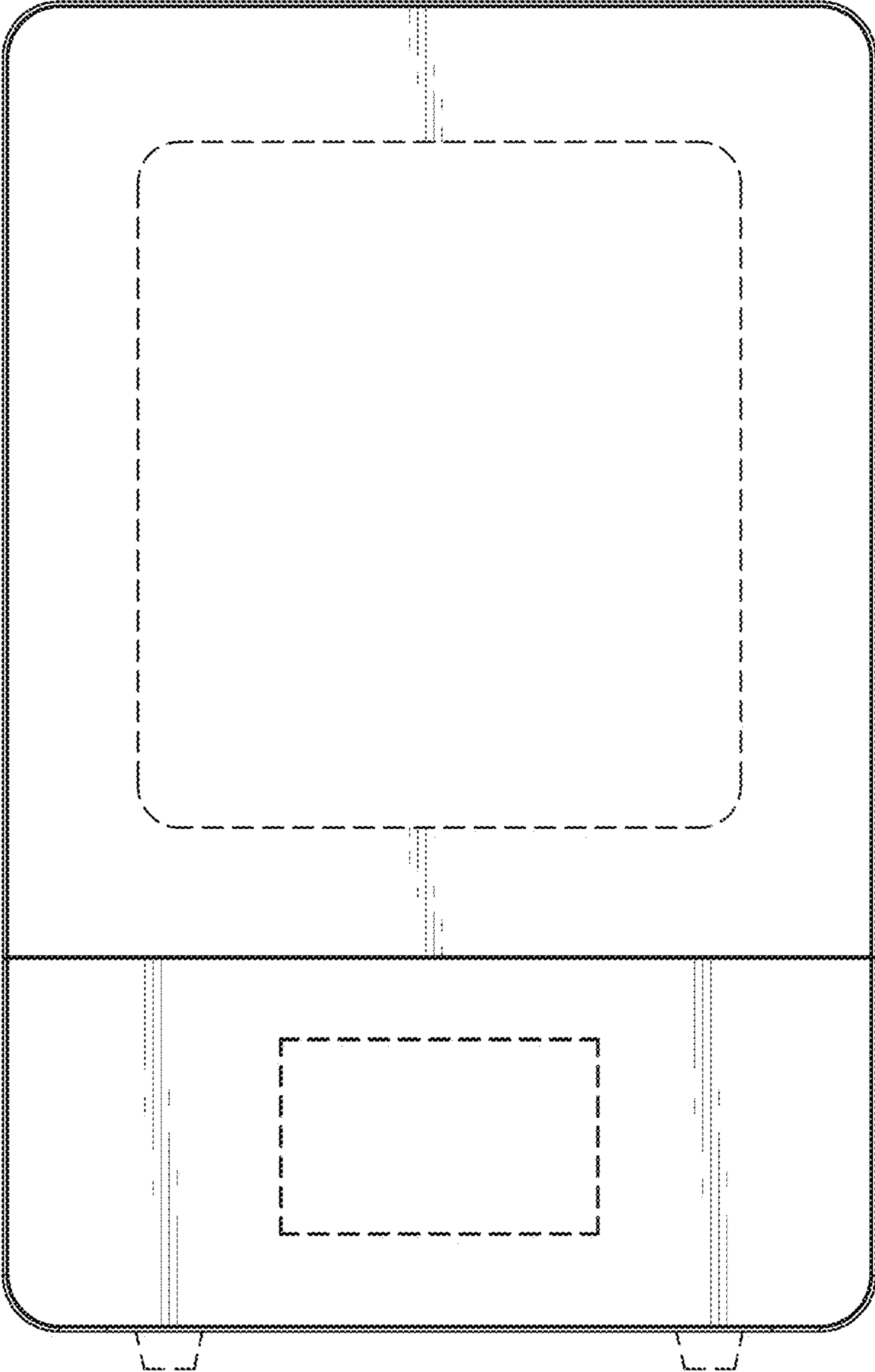


FIG. 1

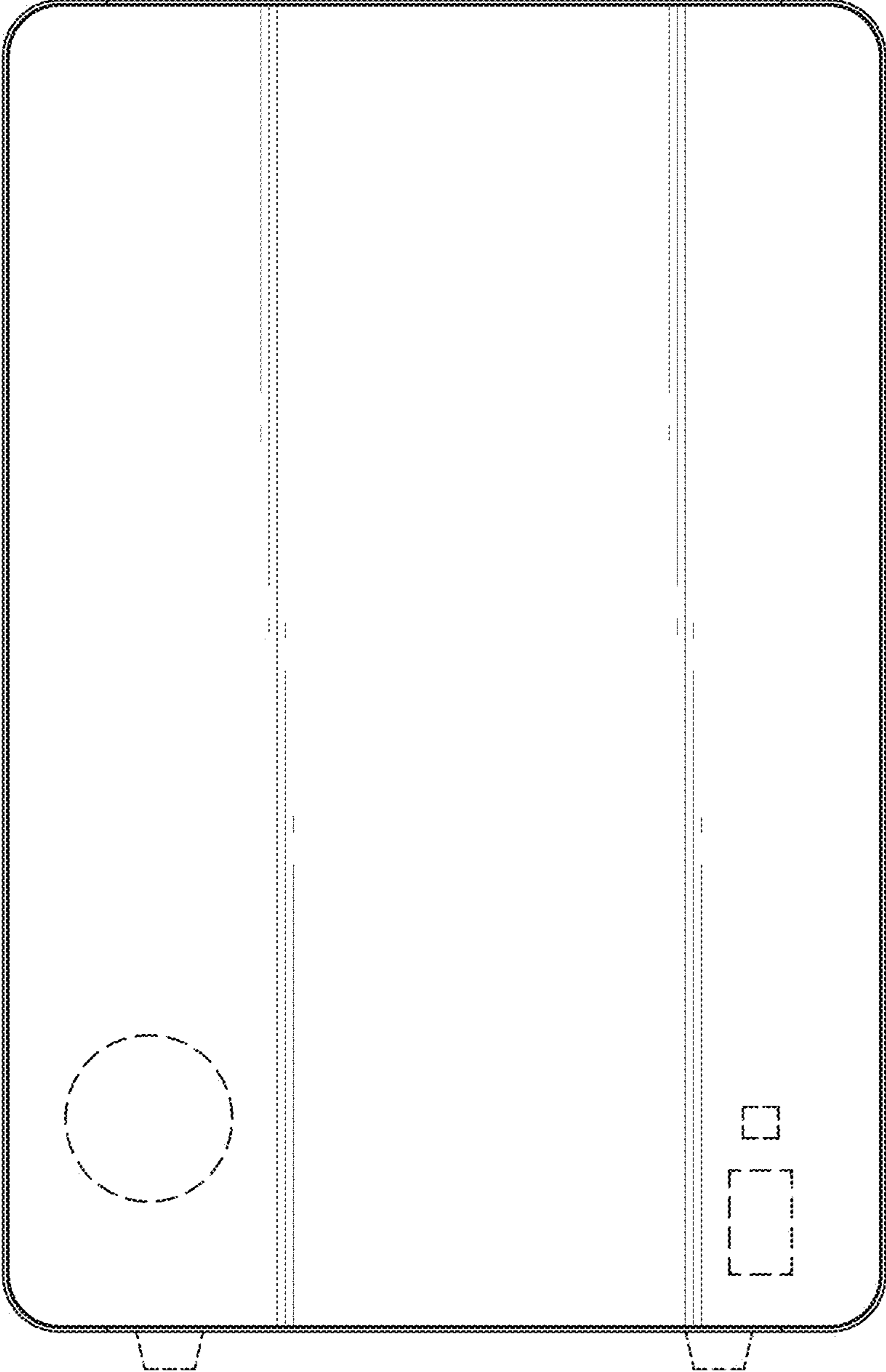


FIG. 2

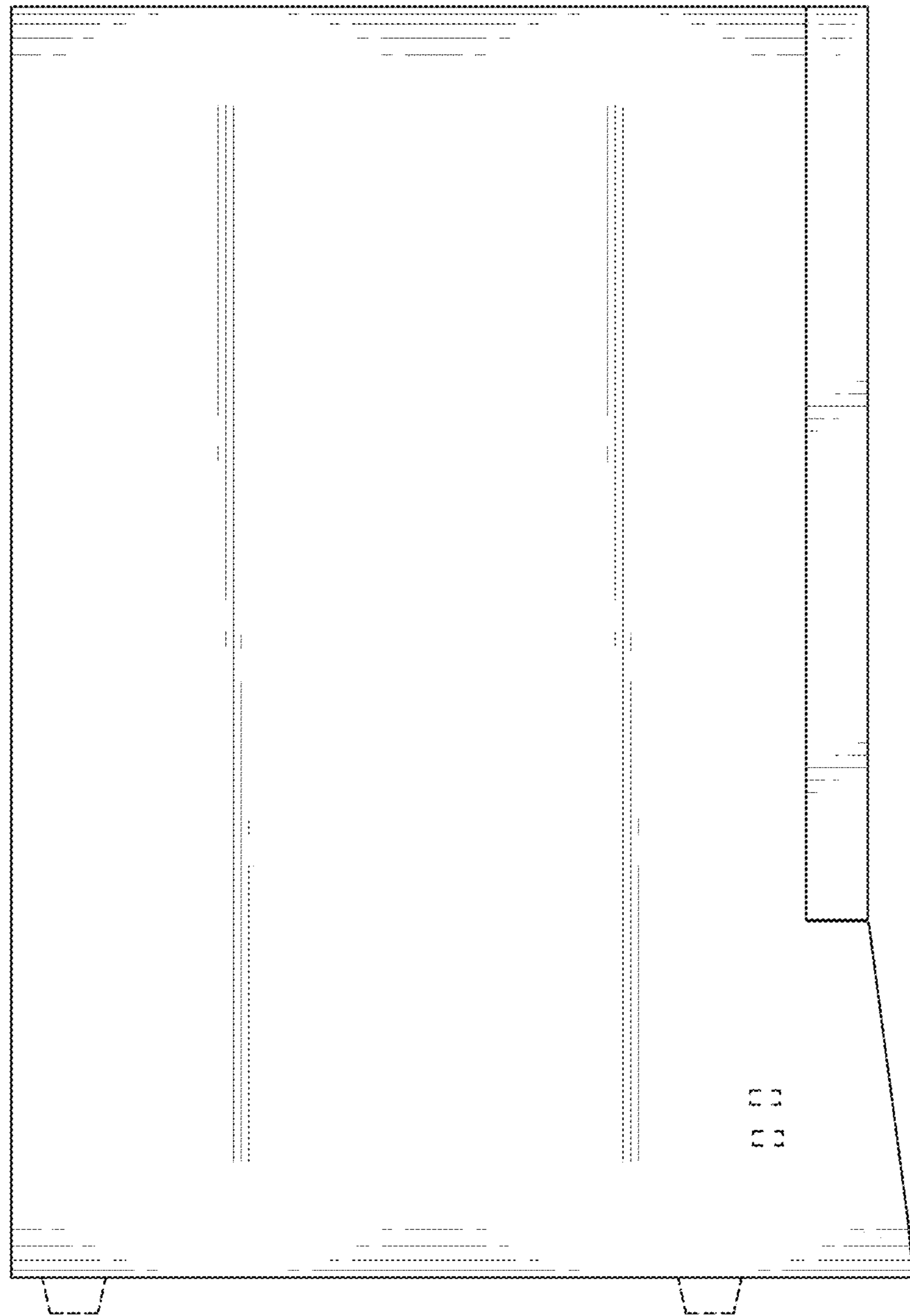


FIG. 3

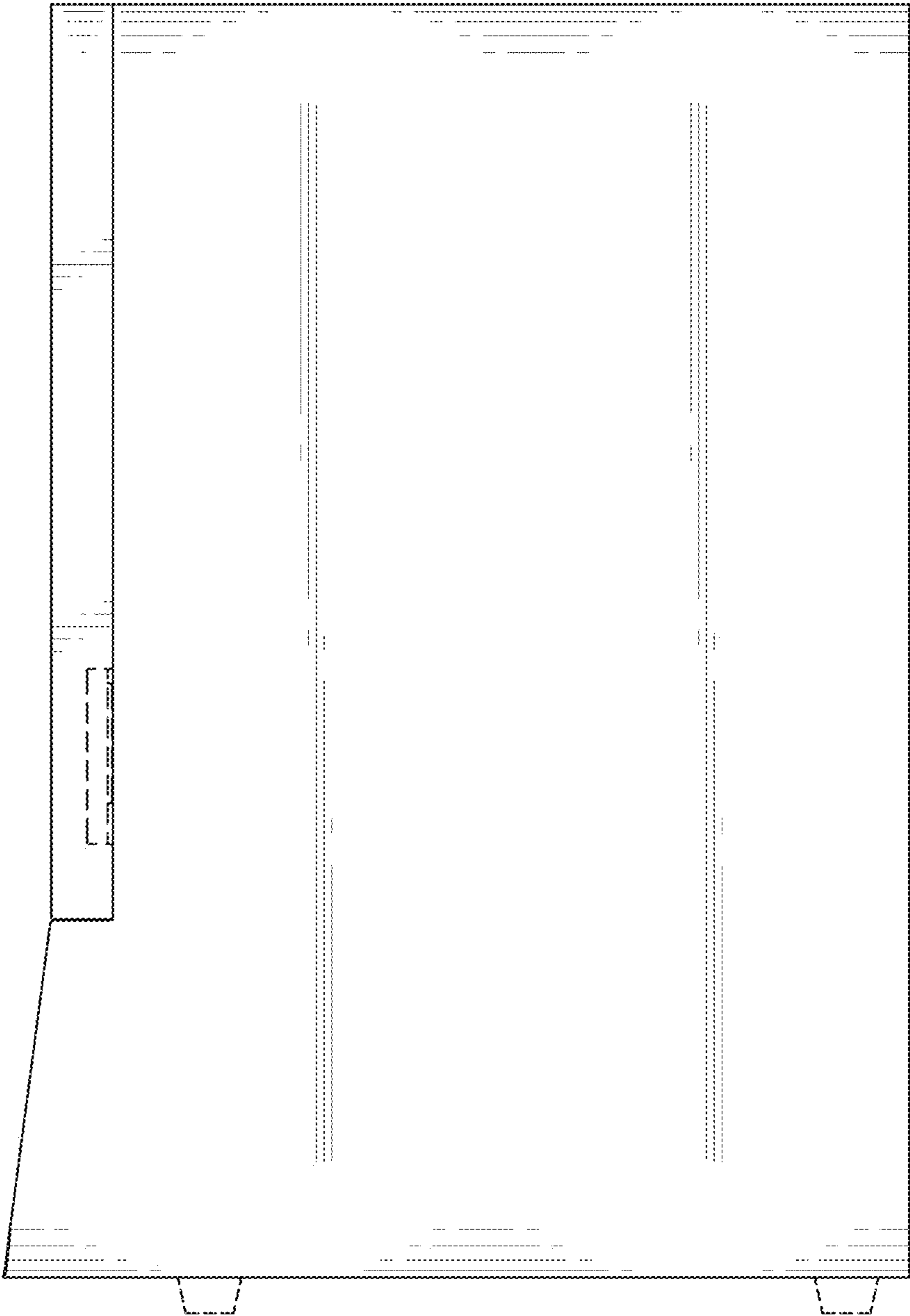


FIG. 4

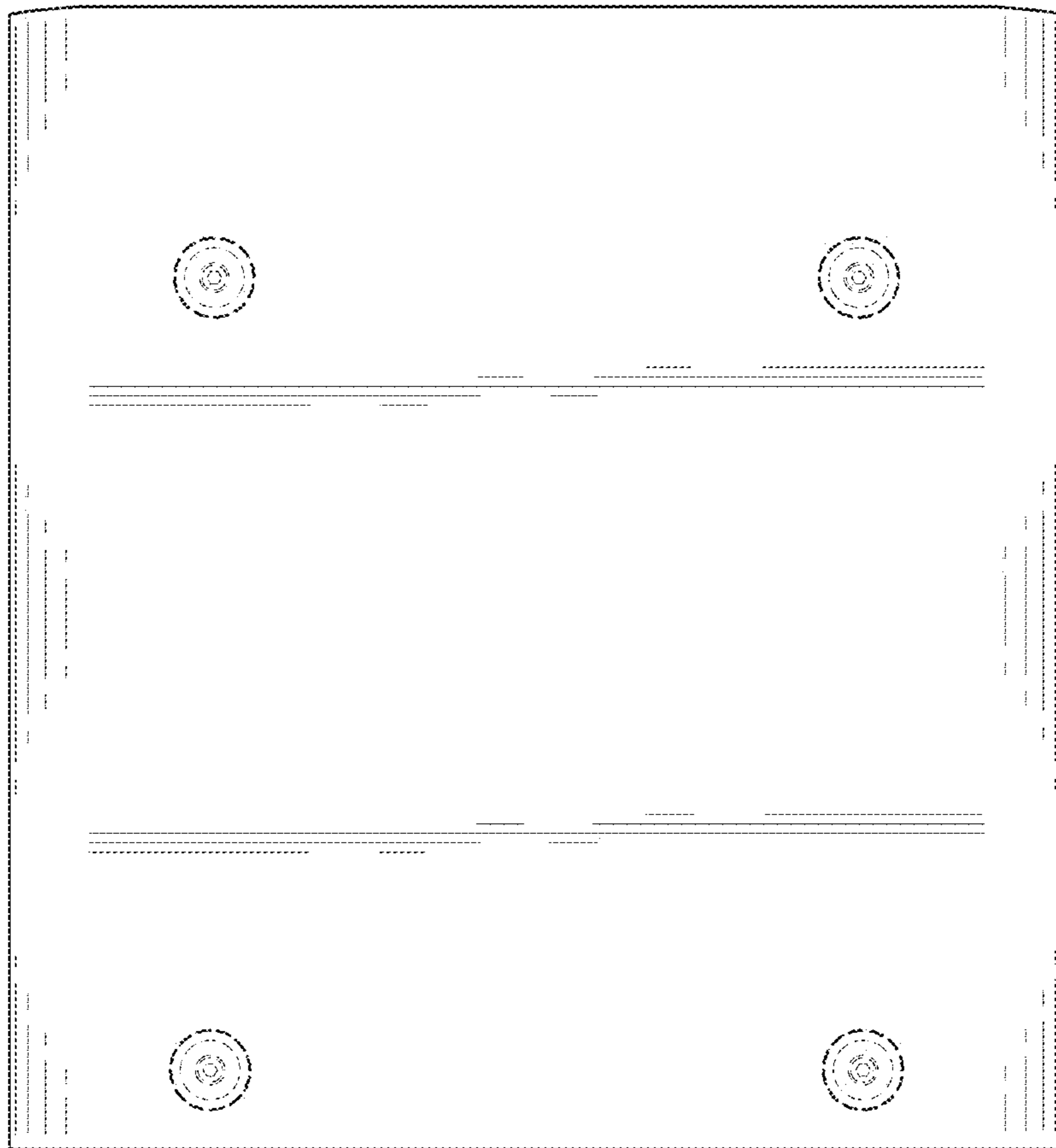


FIG. 5

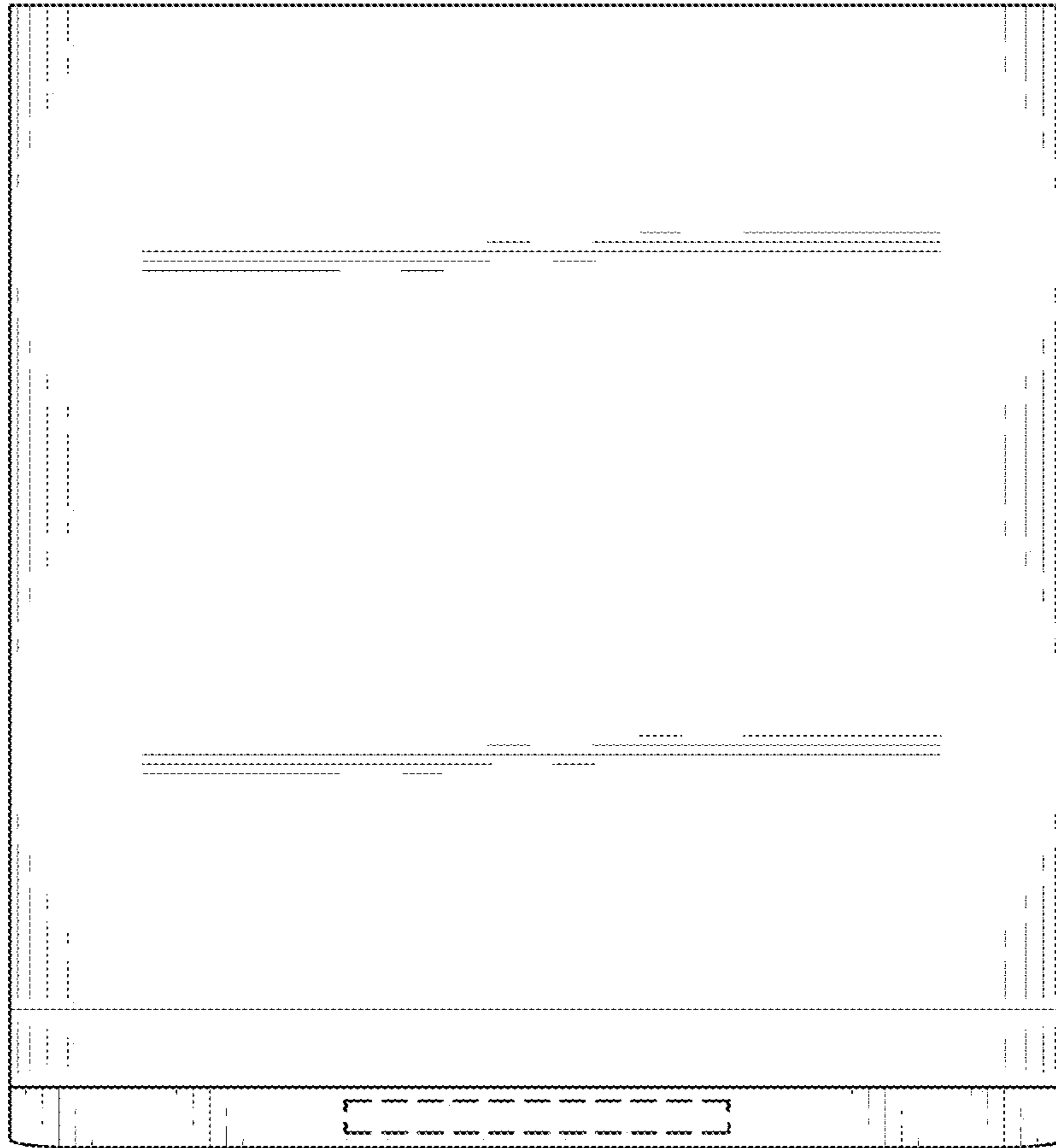


FIG. 6

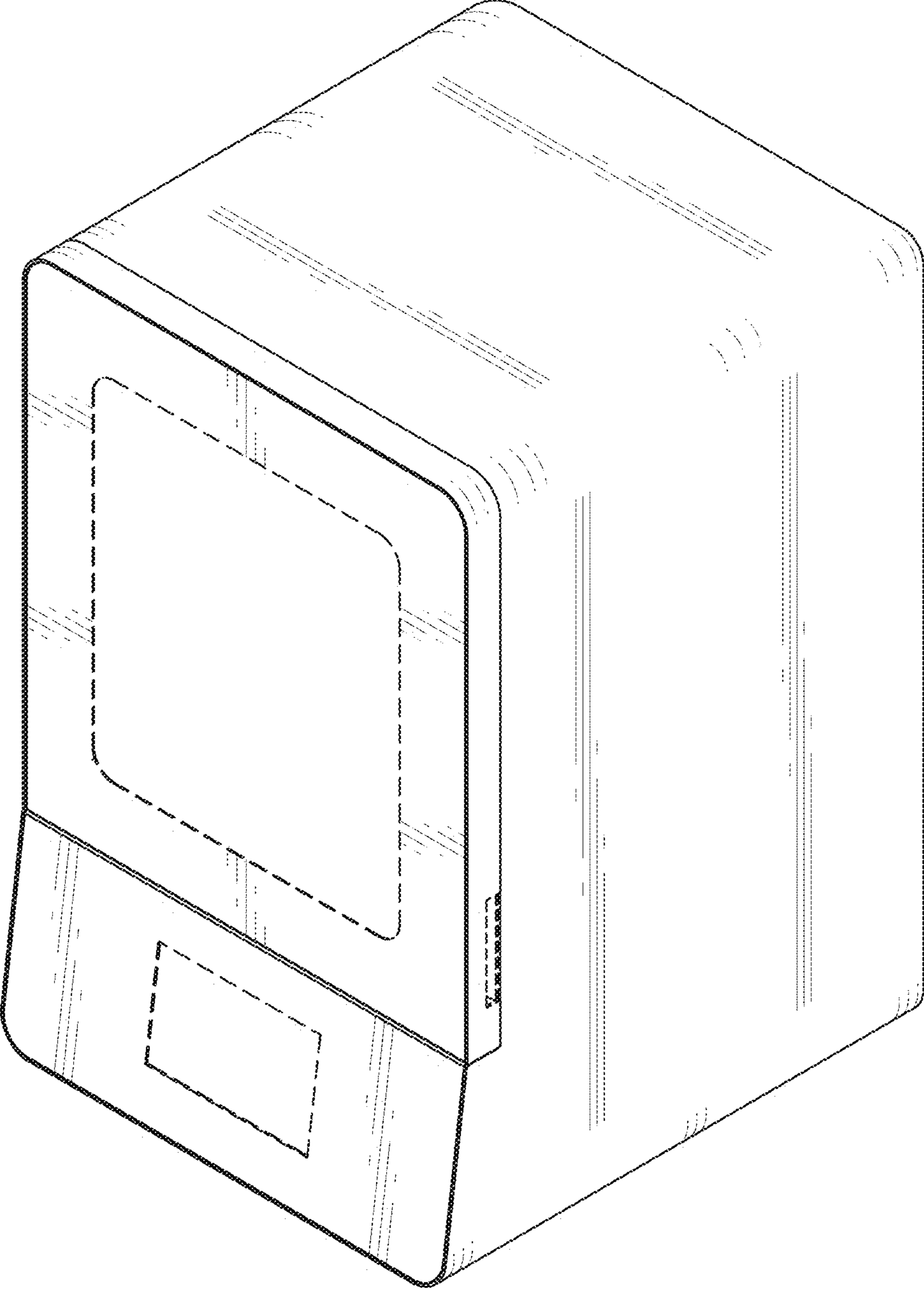


FIG. 7

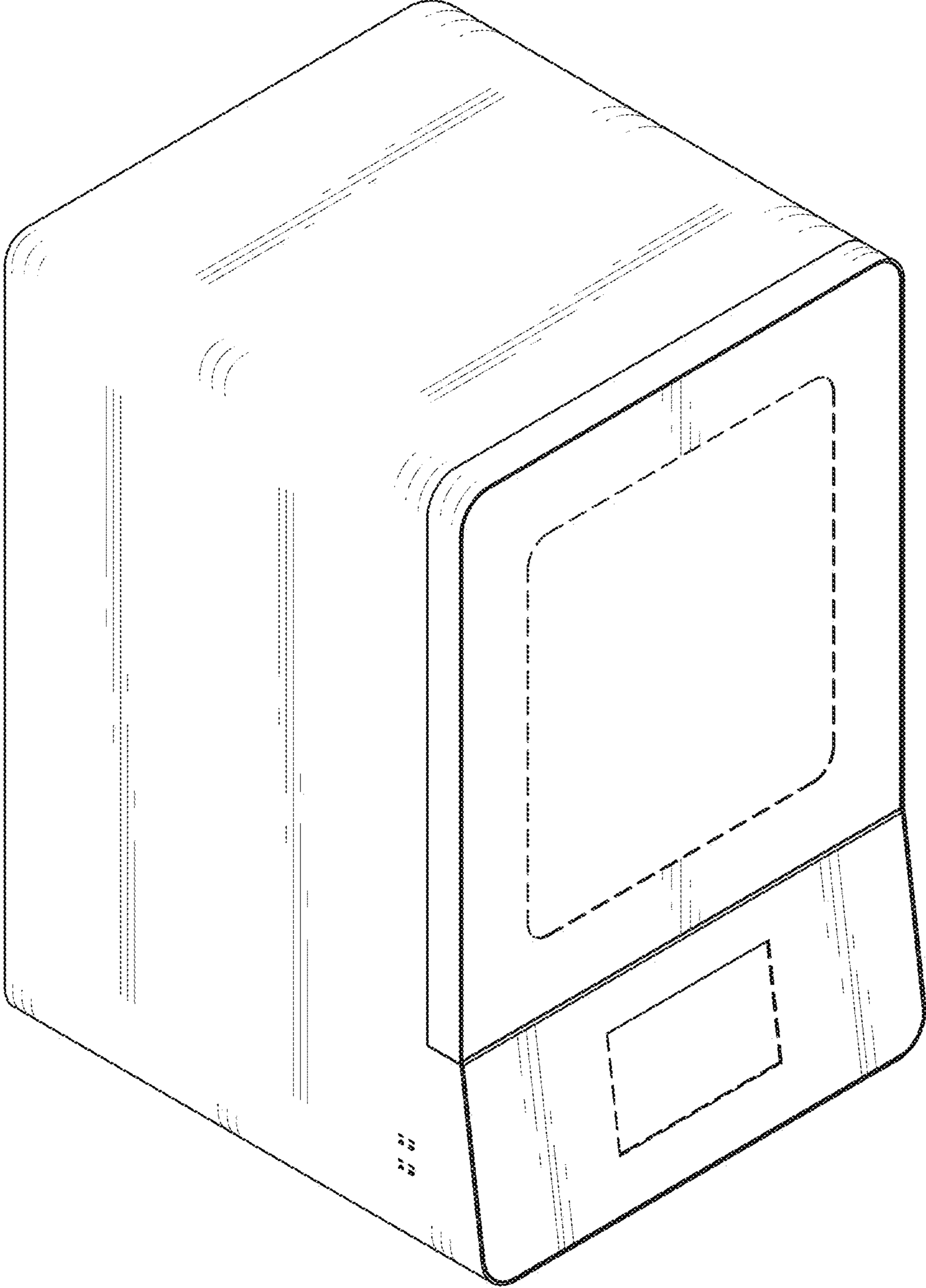


FIG. 8