



US00D938499S

(12) **United States Design Patent**
Barea

(10) **Patent No.:** **US D938,499 S**

(45) **Date of Patent:** **** Dec. 14, 2021**

(54) **MODULAR CREEL**

(71) Applicant: **BTSR INTERNATIONAL S.P.A.**,
Olgiate Olona (IT)

(72) Inventor: **Tiziano Barea**, Busto Arsizio (IT)

(73) Assignee: **BTSR INTERNATIONAL S.P.A.**,
Olgiate Olona (IT)

(**) Term: **15 Years**

(21) Appl. No.: **29/712,690**

(22) Filed: **Nov. 11, 2019**

(30) **Foreign Application Priority Data**

May 14, 2019 (EM) 006455101

(51) **LOC (13) Cl.** **15-06**

(52) **U.S. Cl.**
USPC **D15/78; D15/66**

(58) **Field of Classification Search**
USPC 242/563, 590; D15/66-78; D34/12, 17,
D34/21

(Continued)

(56) **References Cited**

U.S. PATENT DOCUMENTS

3,452,947 A * 7/1969 Dean D02H 1/00
242/131
4,180,218 A * 12/1979 Jacobs B65H 49/16
242/131

(Continued)

FOREIGN PATENT DOCUMENTS

CH 135778-0001 * 2/2009
CH 135778-0002 * 2/2009

(Continued)

OTHER PUBLICATIONS

Memminger-IRO| Filter Creel 3, URL: https://www.youtube.com/watch?v=56fEG_Rin8o [posted on YouTube Nov. 3, 2015; Site Visited Jul. 7, 2021]. (Year: 2015).*

(Continued)

Primary Examiner — Jae Liang

Assistant Examiner — Tia Ruth-Renee Polidori

(74) *Attorney, Agent, or Firm* — Vorys, Sater, Seymour and Pease LLP

(57) **CLAIM**

The ornamental design for a modular creel, as shown and described.

DESCRIPTION

FIG. 1 is a perspective view of a modular creel;
FIG. 2 is a front view thereof;
FIG. 3 is a left side view thereof;
FIG. 4 is a rear view thereof;
FIG. 5 is a right side view thereof;
FIG. 6 is a top view thereof;
FIG. 7 is a bottom view thereof;
FIG. 8 is a cross-sectional view taken along line VIII-VIII of FIG. 4; and
FIG. 9 is a cross-sectional view taken along line IX-IX of FIG. 2;
FIG. 10 is a perspective view of a second embodiment of a modular creel;
FIG. 11 is a front view thereof;
FIG. 12 is a left side view thereof;
FIG. 13 is a rear view thereof;
FIG. 14 is a right side view thereof;
FIG. 15 is a top view thereof;
FIG. 16 is a bottom view thereof;
FIG. 17 is a cross-sectional view taken along line XVII-XVII of FIG. 13; and
FIG. 18 is a cross-sectional view taken along line XVIII-XVIII of FIG. 11;
FIG. 19 is a perspective view of a third embodiment of a modular creel;
FIG. 20 is a front view thereof;
FIG. 21 is a left side view thereof;
FIG. 22 is a rear view thereof;
FIG. 23 is a right side view thereof;
FIG. 24 is a top view thereof;
FIG. 25 is a bottom view thereof;
FIG. 26 is a cross-sectional view taken along line XXVI-XXVI of FIG. 22; and,

(Continued)

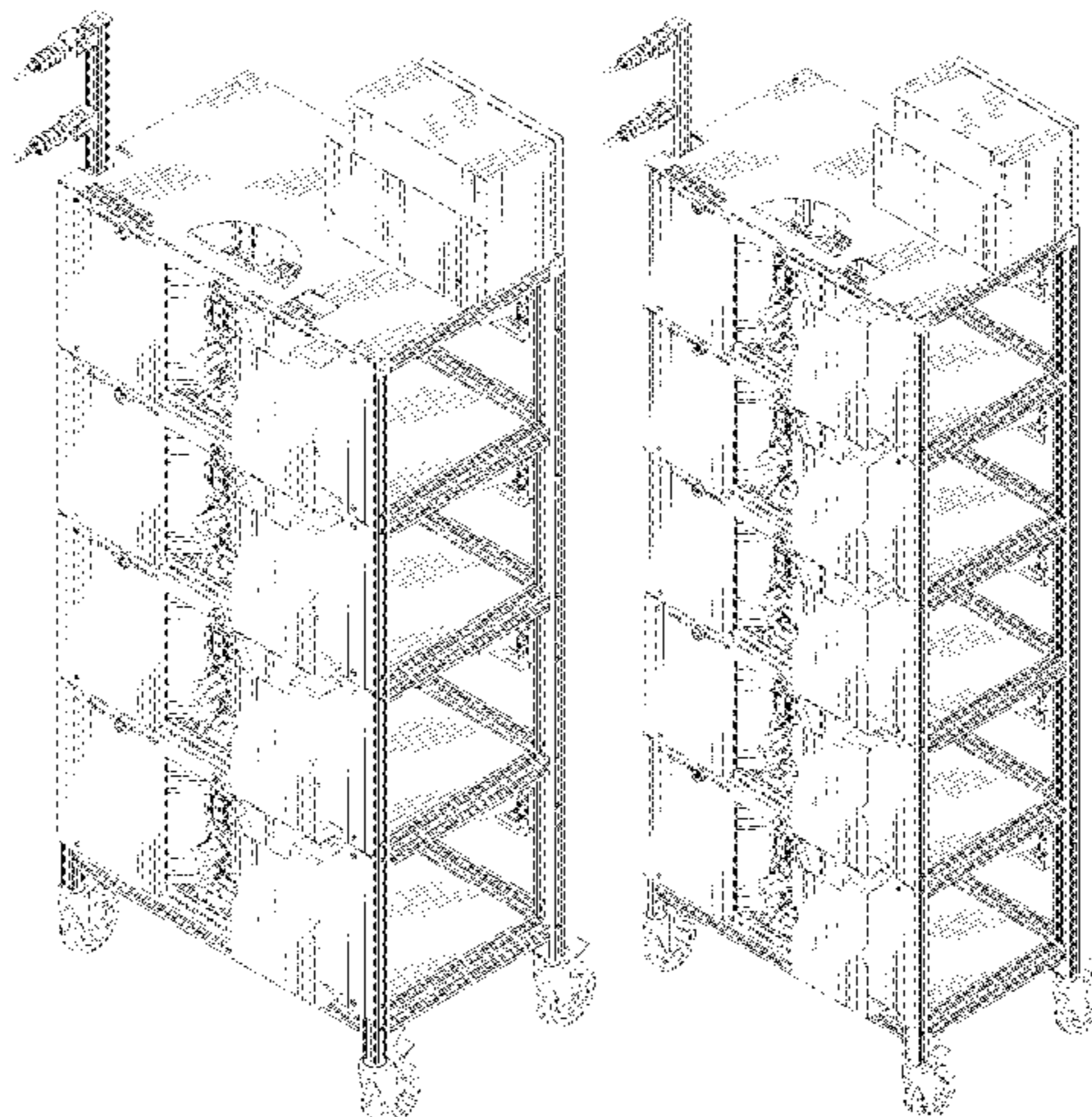


FIG. 27 is a cross-sectional view taken along line XXVII-XXVII of FIG. 20.

The broken lines in the drawings depict the sectional indicia and unclaimed subject matter and form no part of the claimed design.

1 Claim, 27 Drawing Sheets

(58) Field of Classification Search

CPC D02H 1/00; B65H 67/02; B65H 63/086;
B65H 49/12; B65H 59/38; B65H 49/16;
B65H 59/388

See application file for complete search history.

(56) References Cited

U.S. PATENT DOCUMENTS

D300,491	S *	4/1989	Grossman	D34/21
D344,382	S *	2/1994	Conaway	D34/17
D525,005	S *	7/2006	Schlembach	D34/12
7,527,216	B2 *	5/2009	Manning, Jr.	B65H 49/16 242/551
7,887,001	B2 *	2/2011	Yoon	B65H 49/10 242/131
9,067,755	B2 *	6/2015	Barea	B65H 49/16
9,132,987	B2 *	9/2015	Castillo	B65H 57/14
9,475,668	B2 *	10/2016	Barea	D02H 1/00
9,689,215	B2 *	6/2017	Baugh	E21B 17/01
D801,400	S *	10/2017	Willison	D15/78
9,810,032	B2 *	11/2017	Dion	G05B 15/02
10,324,458	B2 *	6/2019	Morton	B25J 9/1679
D857,326	S *	8/2019	Hu	D34/21
2005/0133653	A1 *	6/2005	Heaney	B65H 51/32 242/410
2007/0084960	A1 *	4/2007	Heaney	B65H 49/16 242/551

2007/0152093	A1 *	7/2007	Hartzheim	B65H 59/388 242/419.1
2008/0283653	A1 *	11/2008	Bing-Wo	B65H 59/388 242/410
2011/0127364	A1 *	6/2011	Rees	B65H 49/16 242/594
2012/0217337	A1 *	8/2012	Barea	B65H 49/16 242/563
2015/0225203	A1 *	8/2015	Hoover	D04B 15/42 242/131
2015/0291383	A1 *	10/2015	Barea	B65H 59/388 242/564

FOREIGN PATENT DOCUMENTS

CN	301742755	*	11/2011
CN	303933248	*	11/2016
CN	304045571	*	2/2017
CN	305707706	*	4/2020
CN	305775435	*	5/2020
DE	40002348-0001	*	11/2000
EM	WOD074690-001	*	2/2011
EM	WOD074690-002	*	2/2011
EM	WOD074690-004	*	2/2011
EM	WOD092612-001	*	10/2016
GB	9006455101-000	*	5/2019
GB	9006455101-0001	*	5/2019
GB	9006455101-0002	*	5/2019
GB	9006455101-0003	*	5/2019
IN	282892-0001	*	9/2016
IT	0000095128-0007	*	9/2009
KR	300687223.0001	*	4/2013
TR	200801744-0001	*	7/2008

OTHER PUBLICATIONS

BTSR Matrix Cube, URL: <https://www.youtube.com/watch?v=CICa8XZ9ftg&t=6s> [posted on YouTube Jun. 10, 2019; Site Visited Jul. 7, 2021]. (Year: 2019).*

* cited by examiner

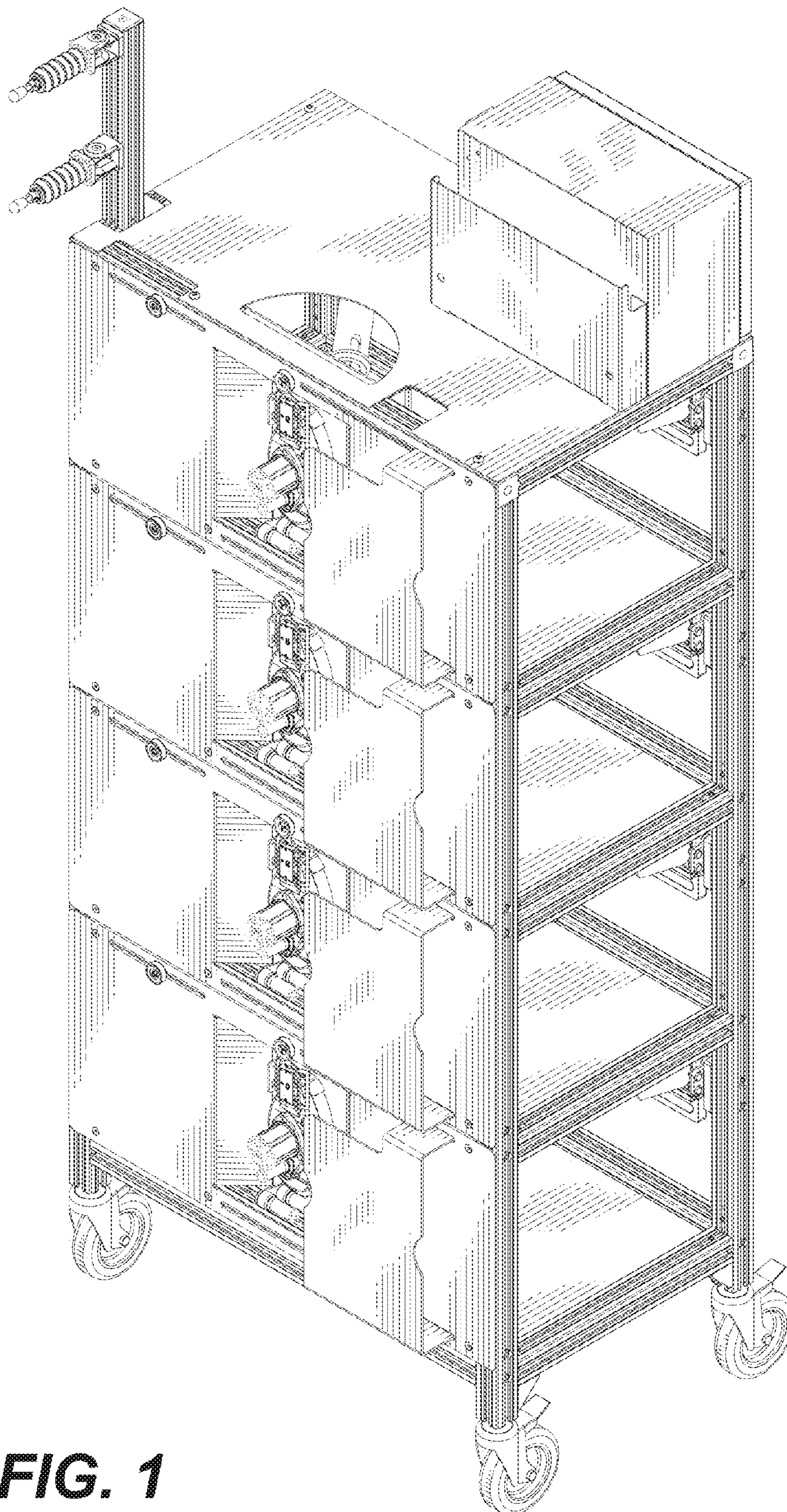


FIG. 1

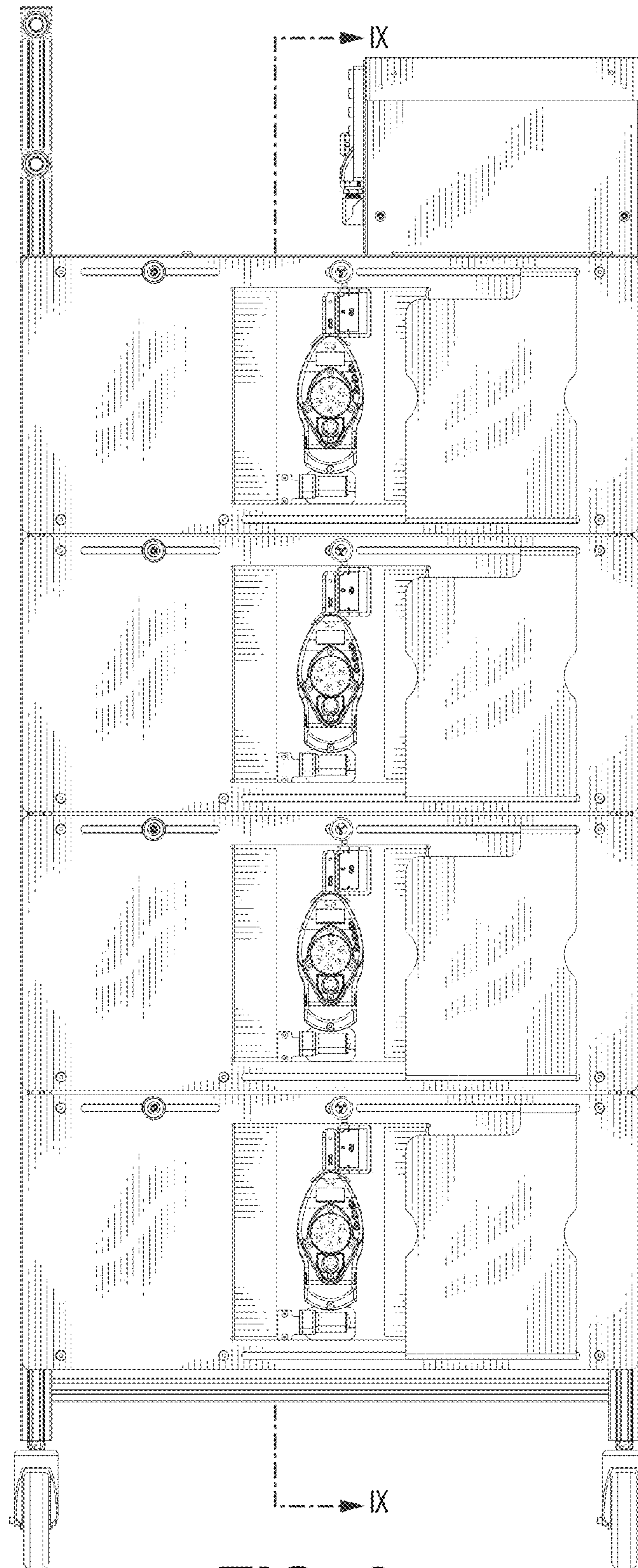


FIG. 2

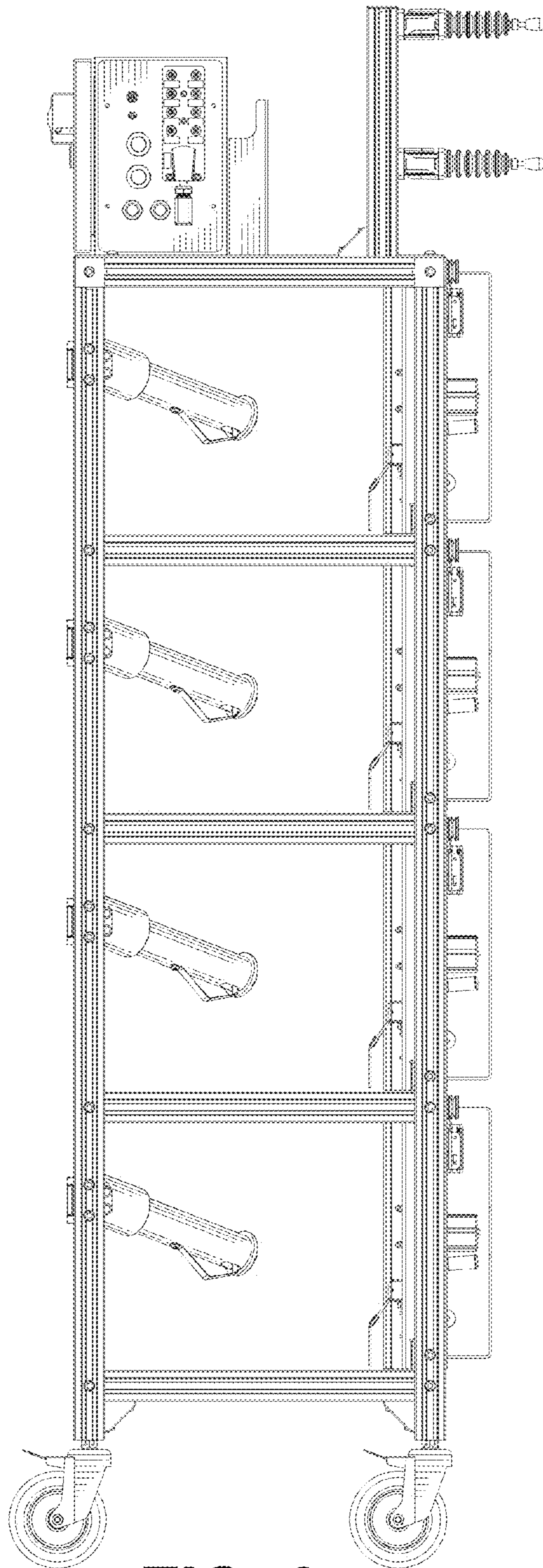


FIG. 3

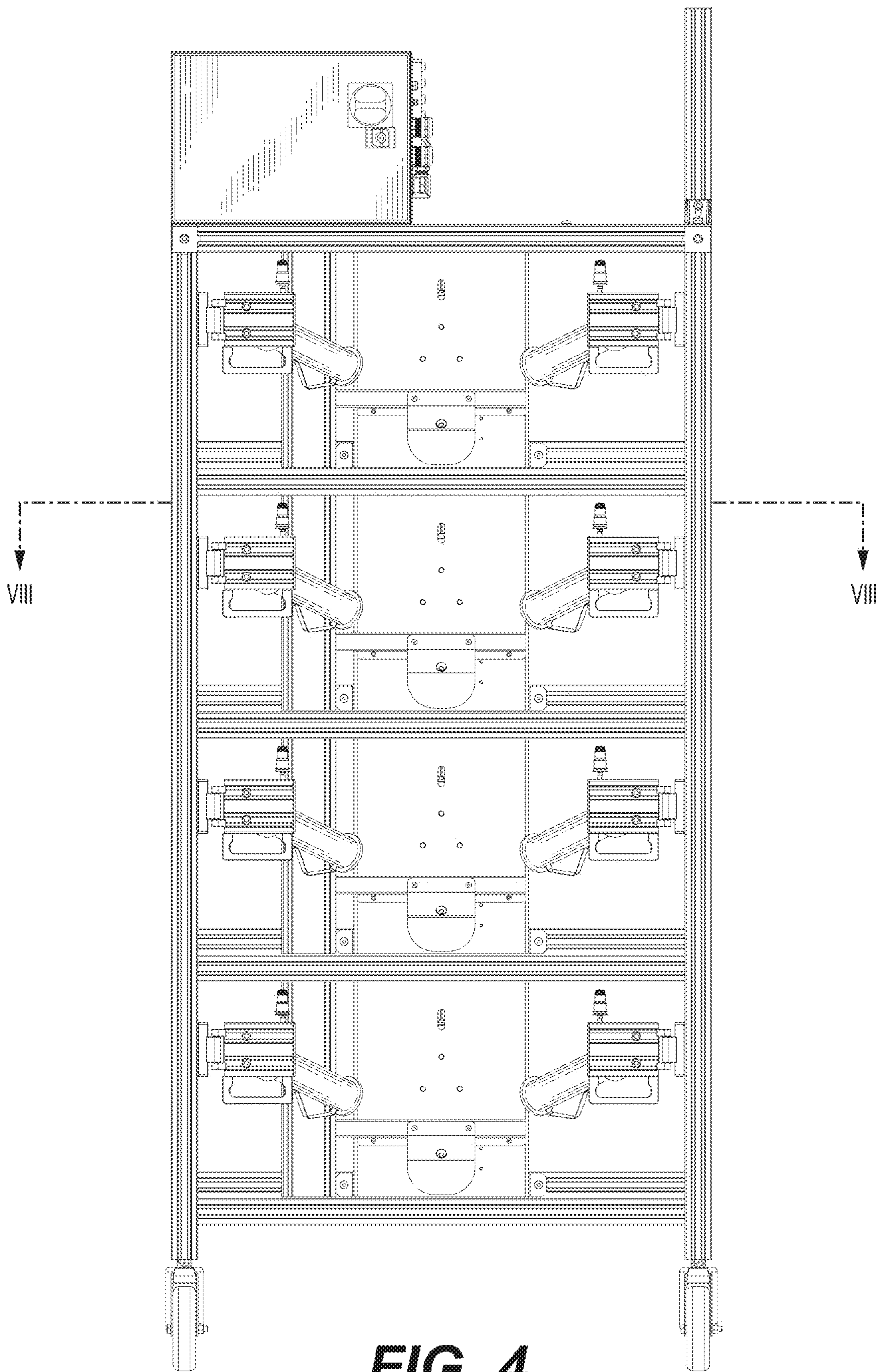


FIG. 4

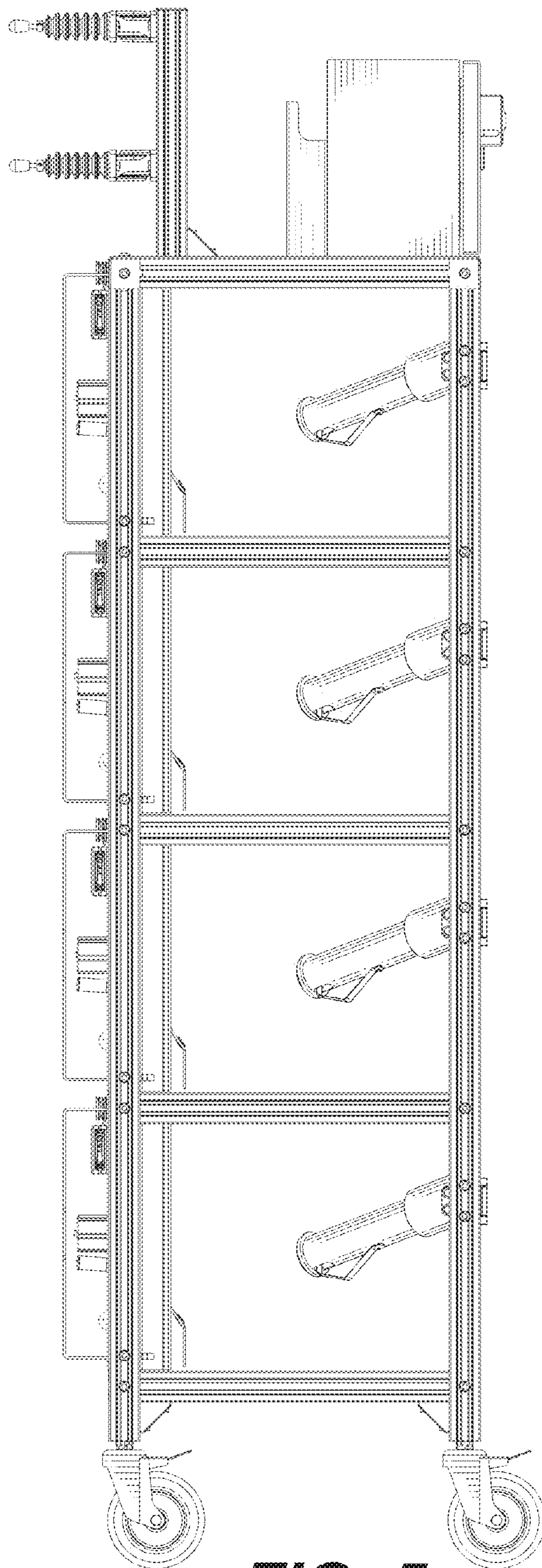


FIG. 5

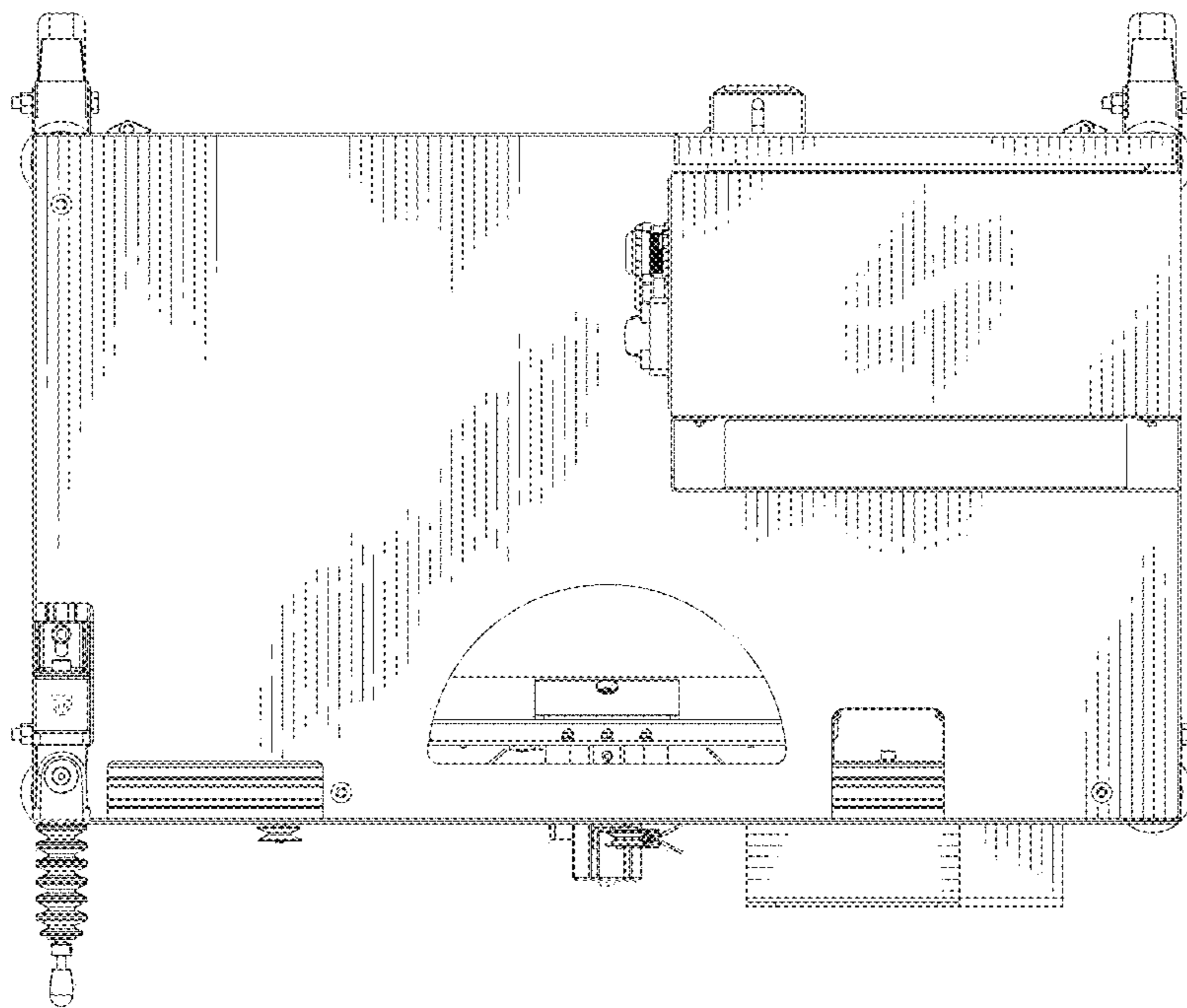


FIG. 6

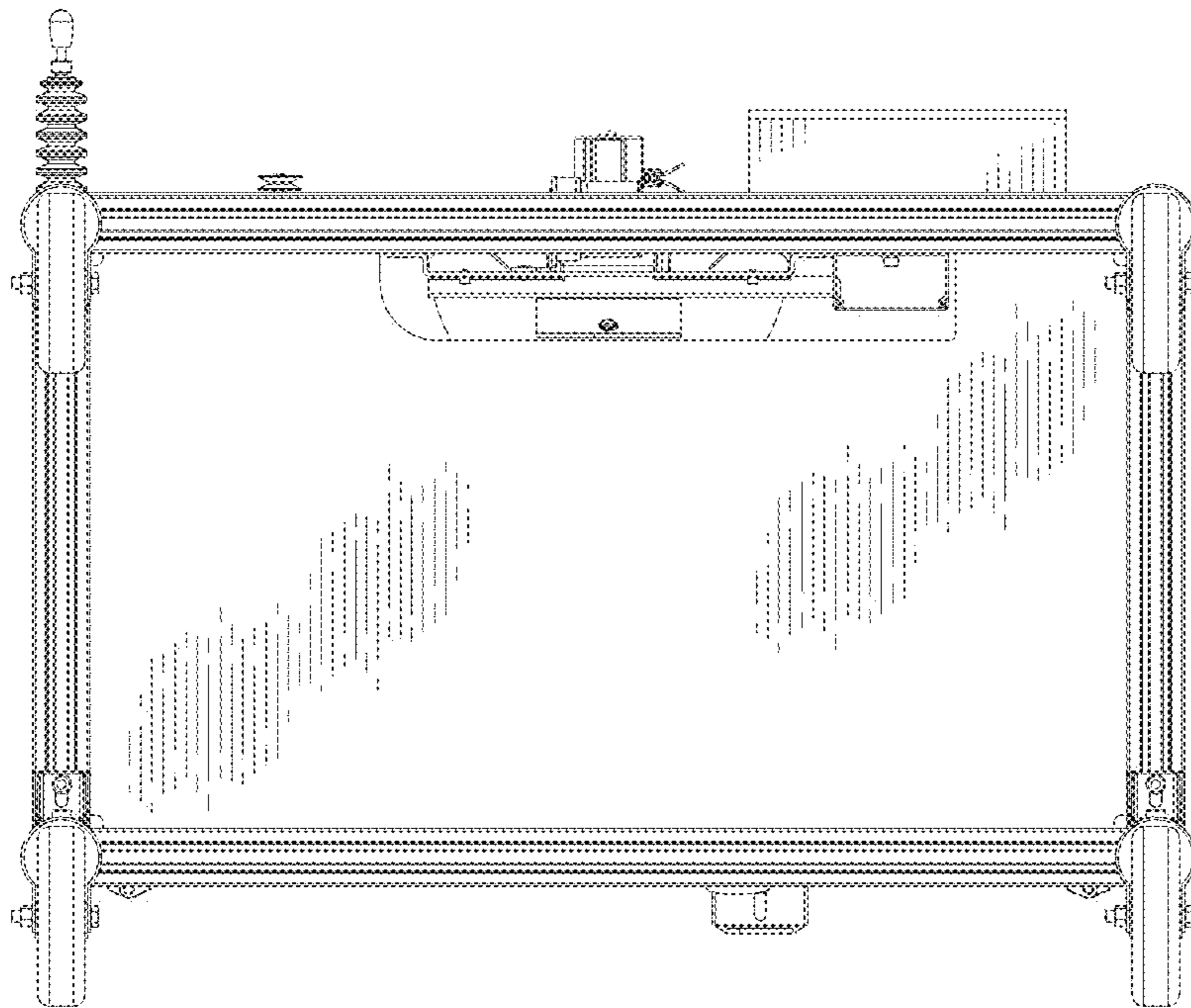


FIG. 7

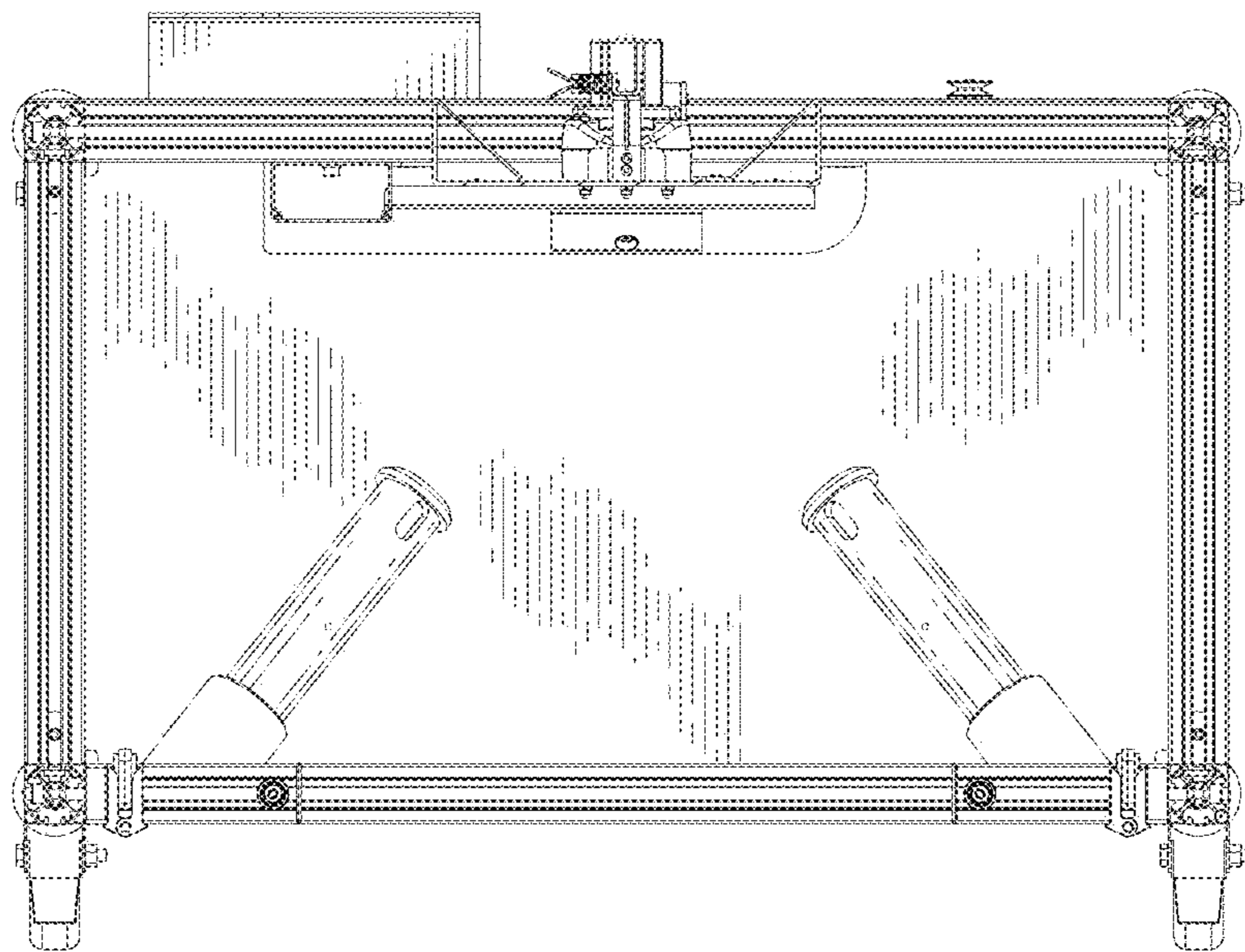


FIG. 8

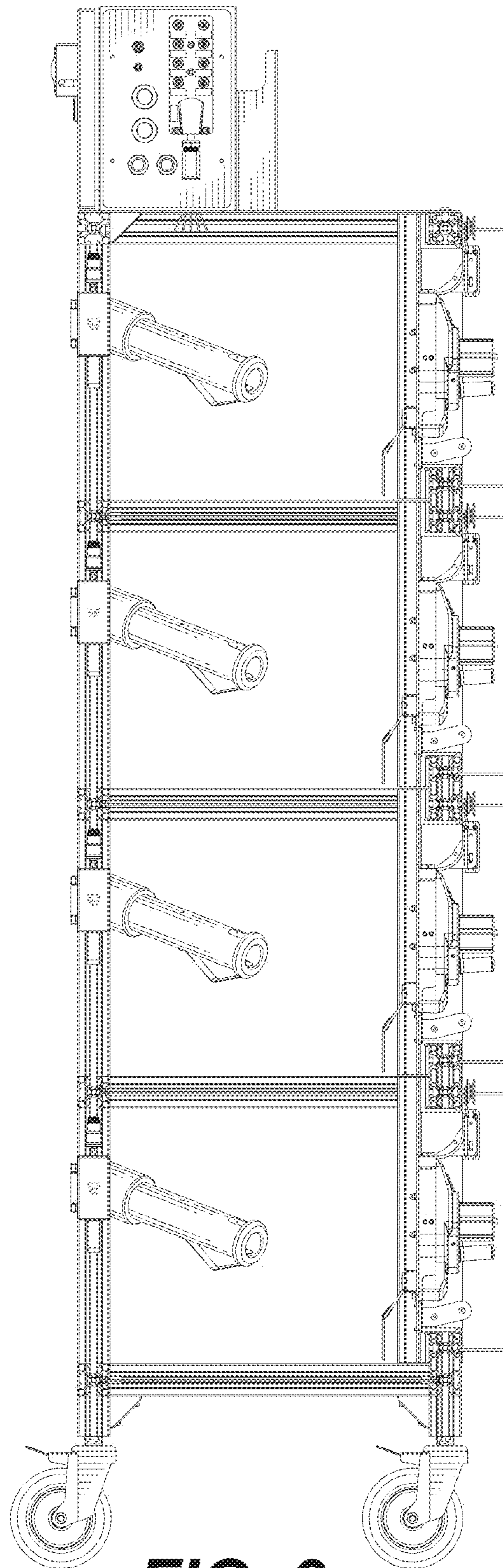


FIG. 9

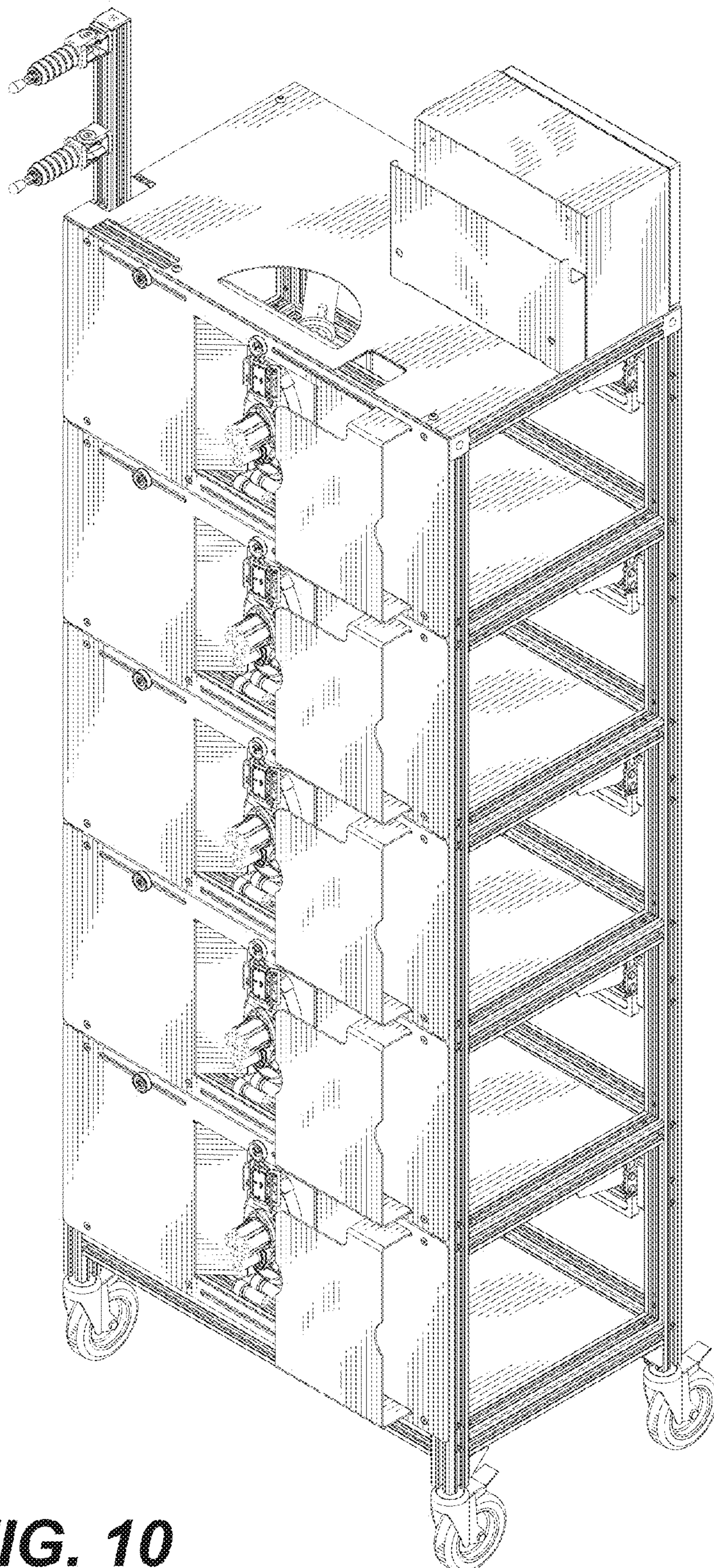


FIG. 10

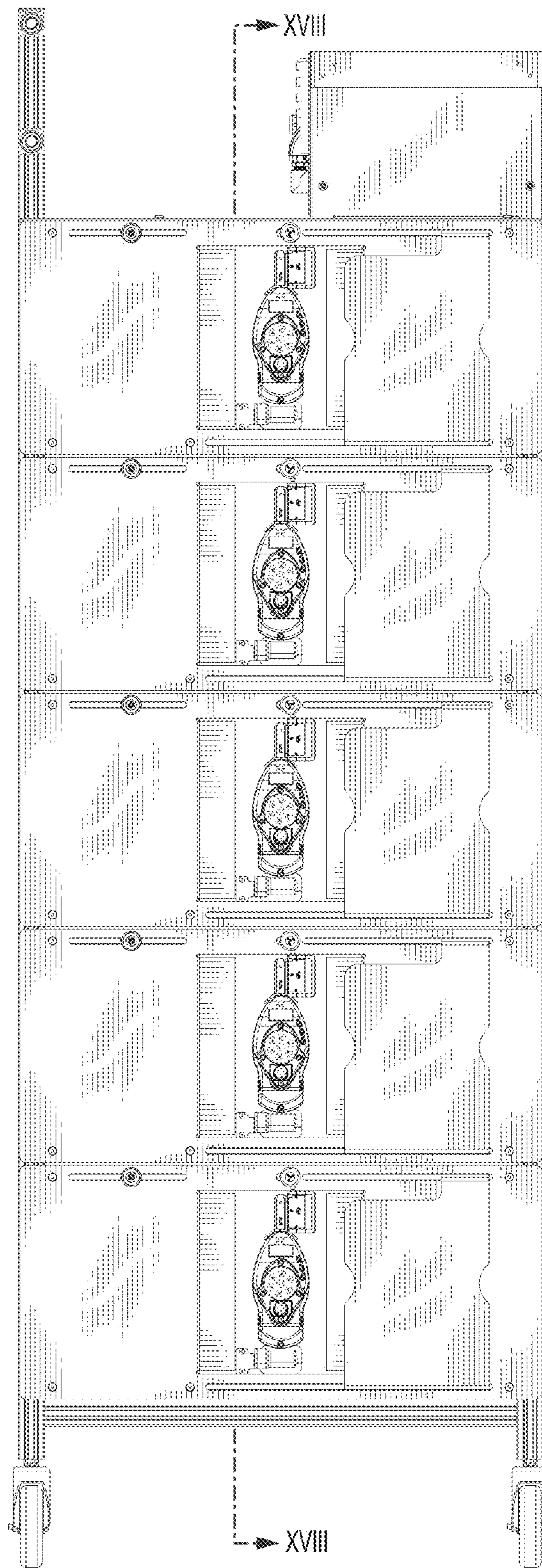


FIG. 11

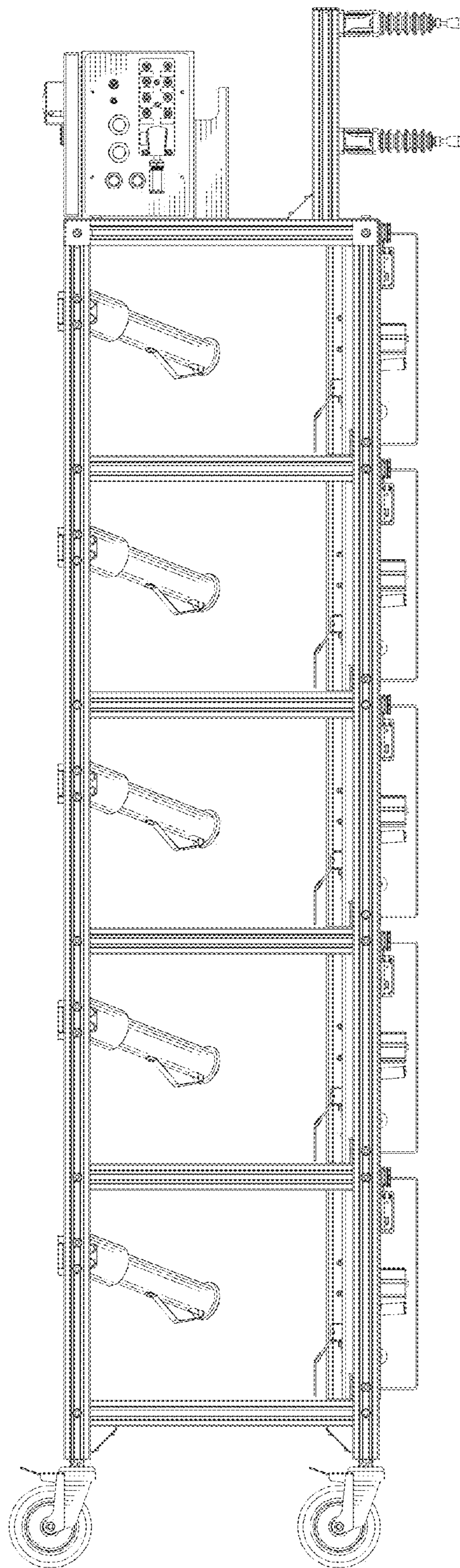


FIG. 12

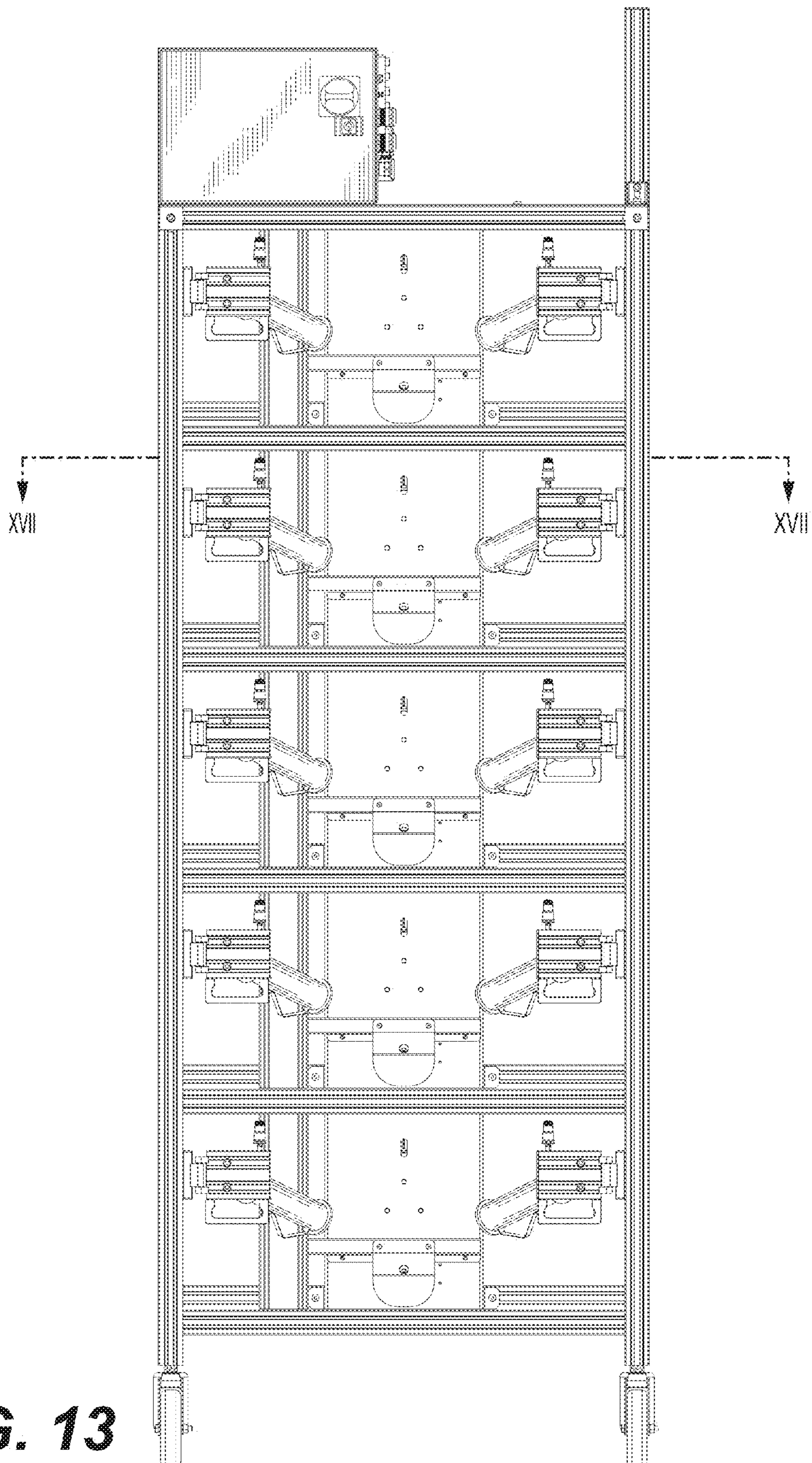


FIG. 13

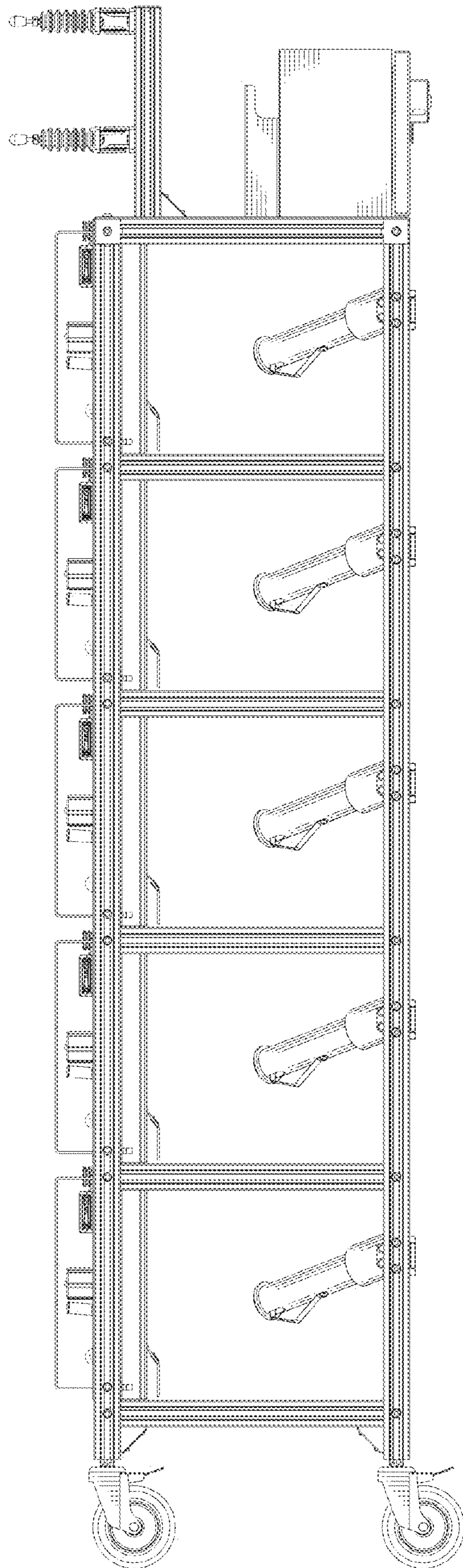


FIG. 14

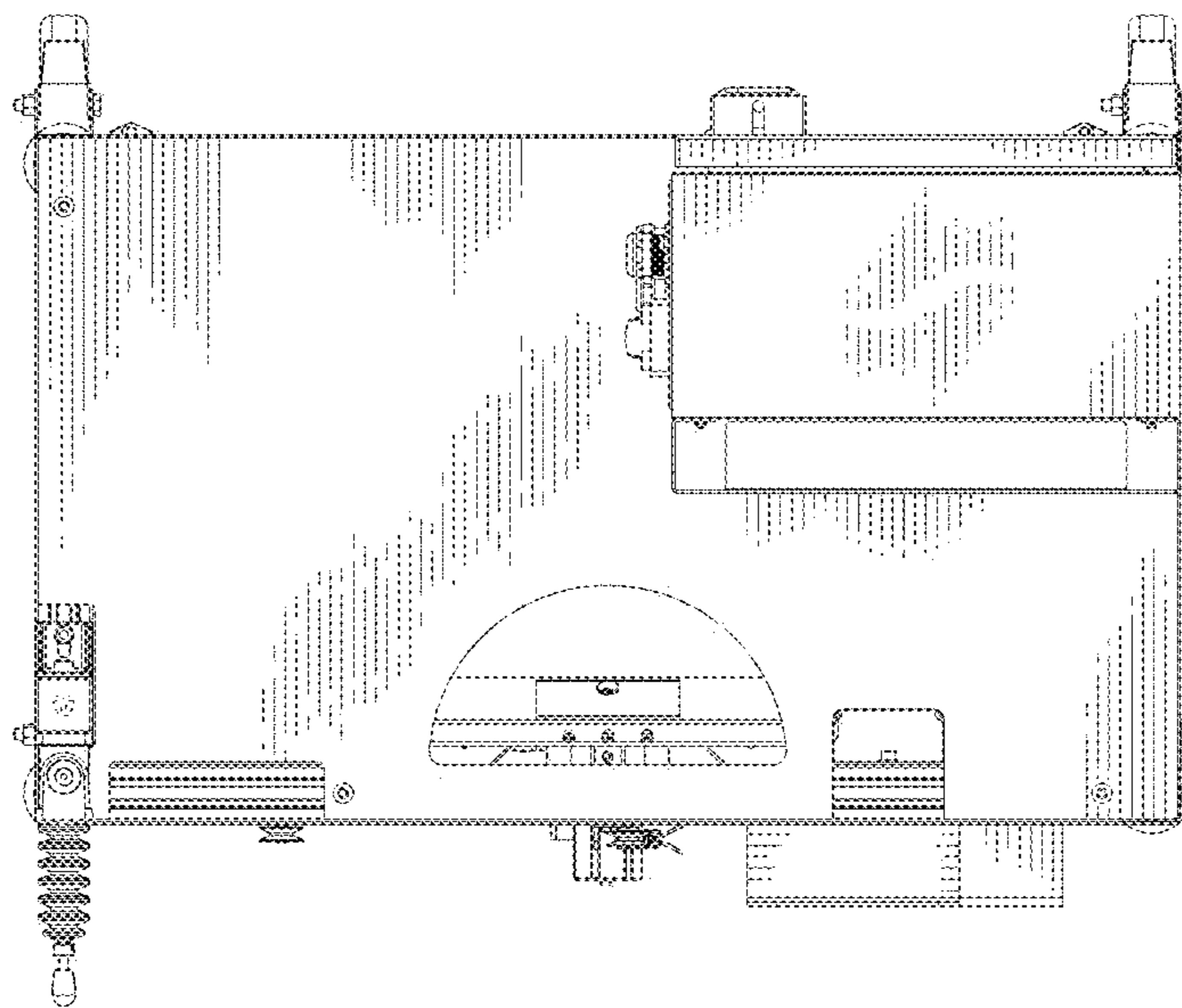


FIG. 15

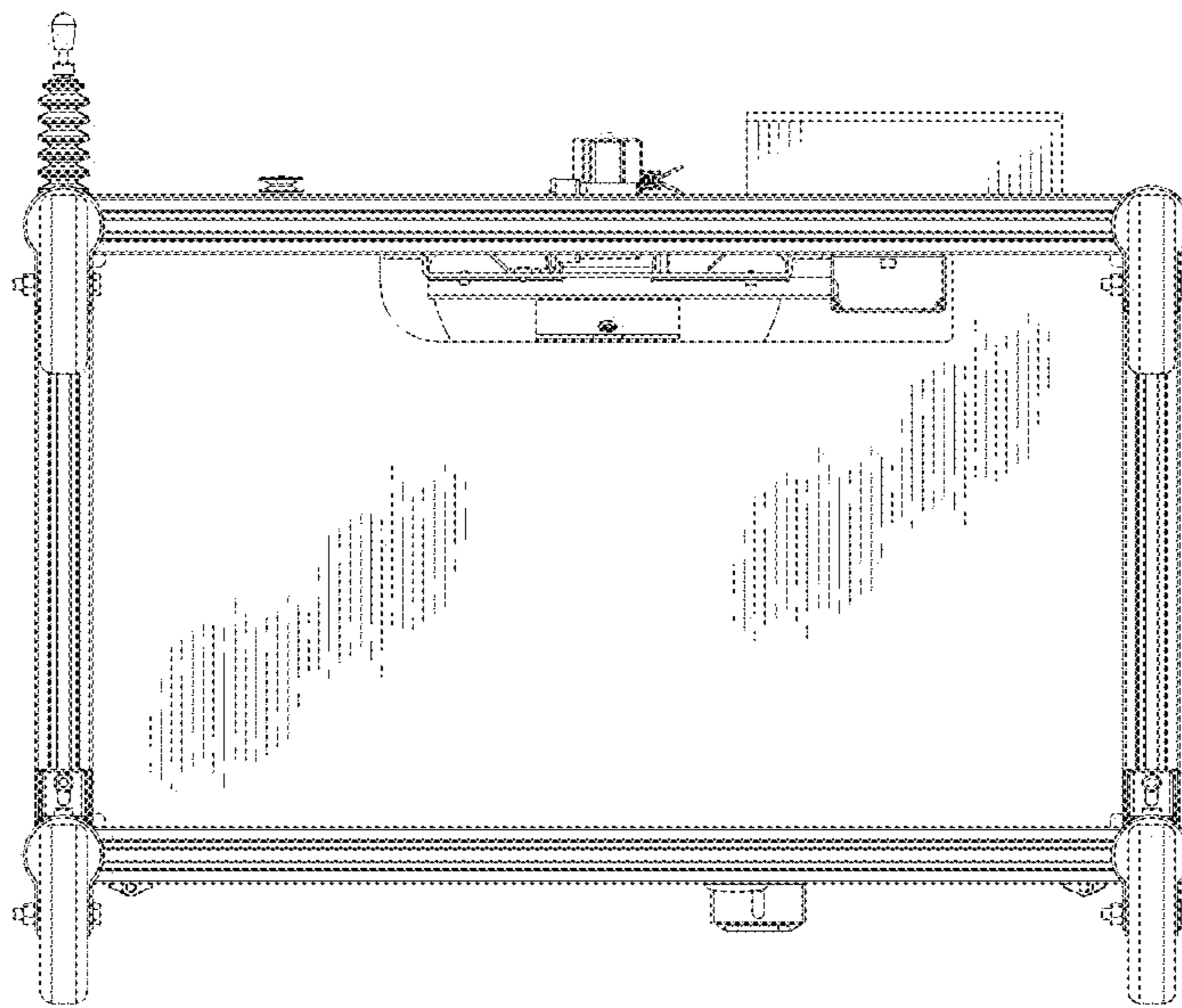


FIG. 16

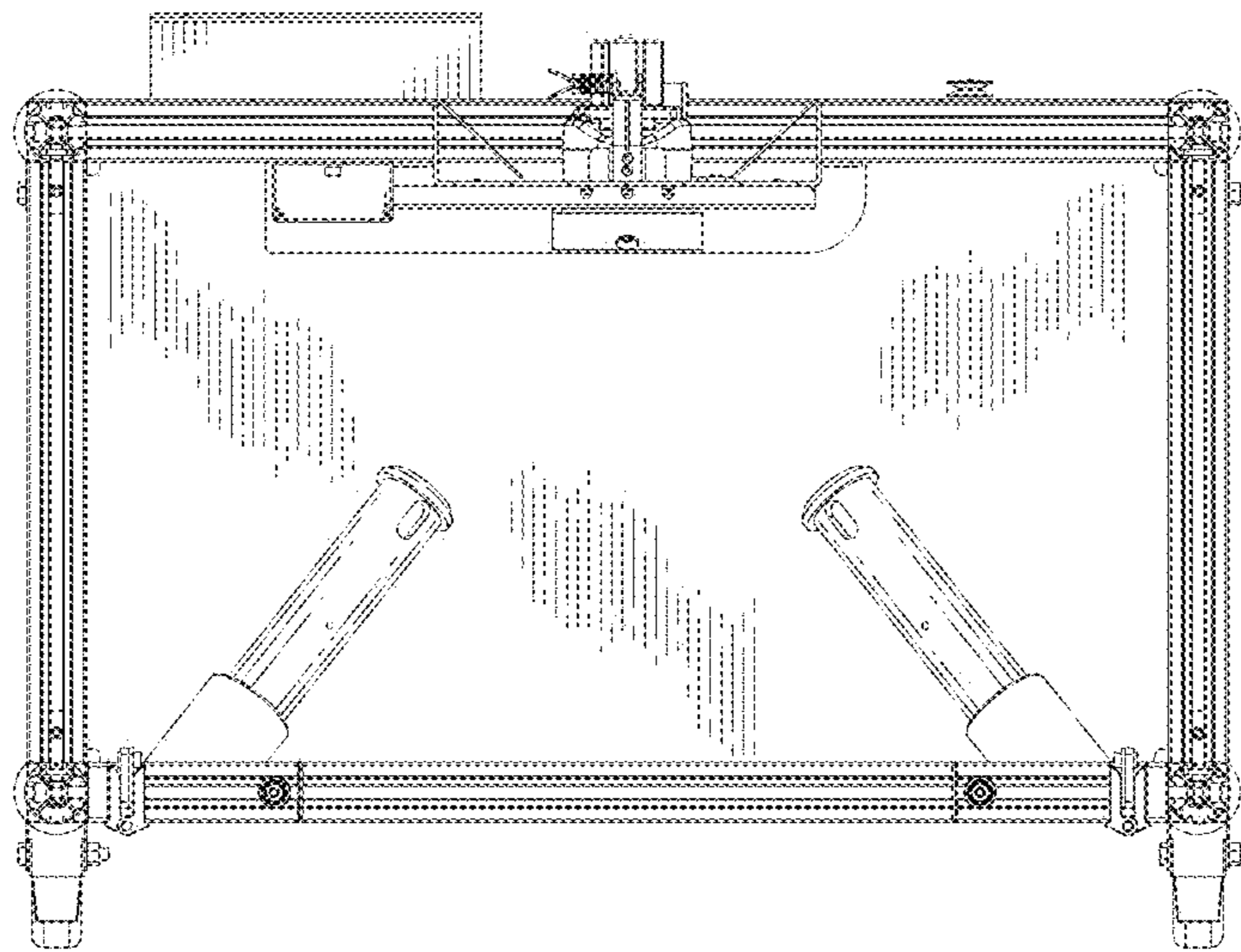


FIG. 17

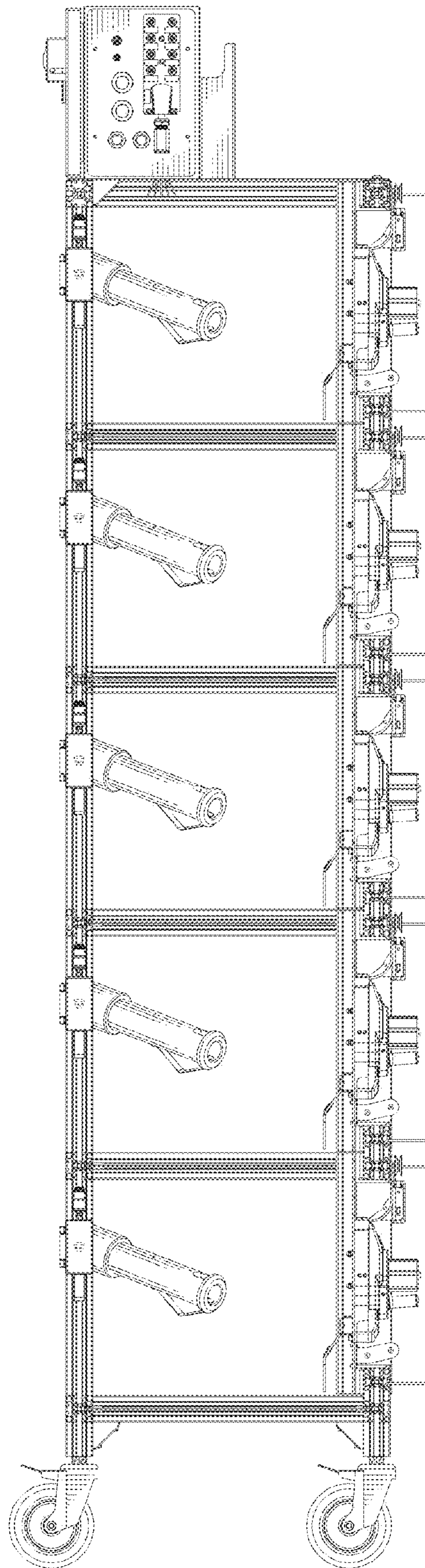


FIG. 18

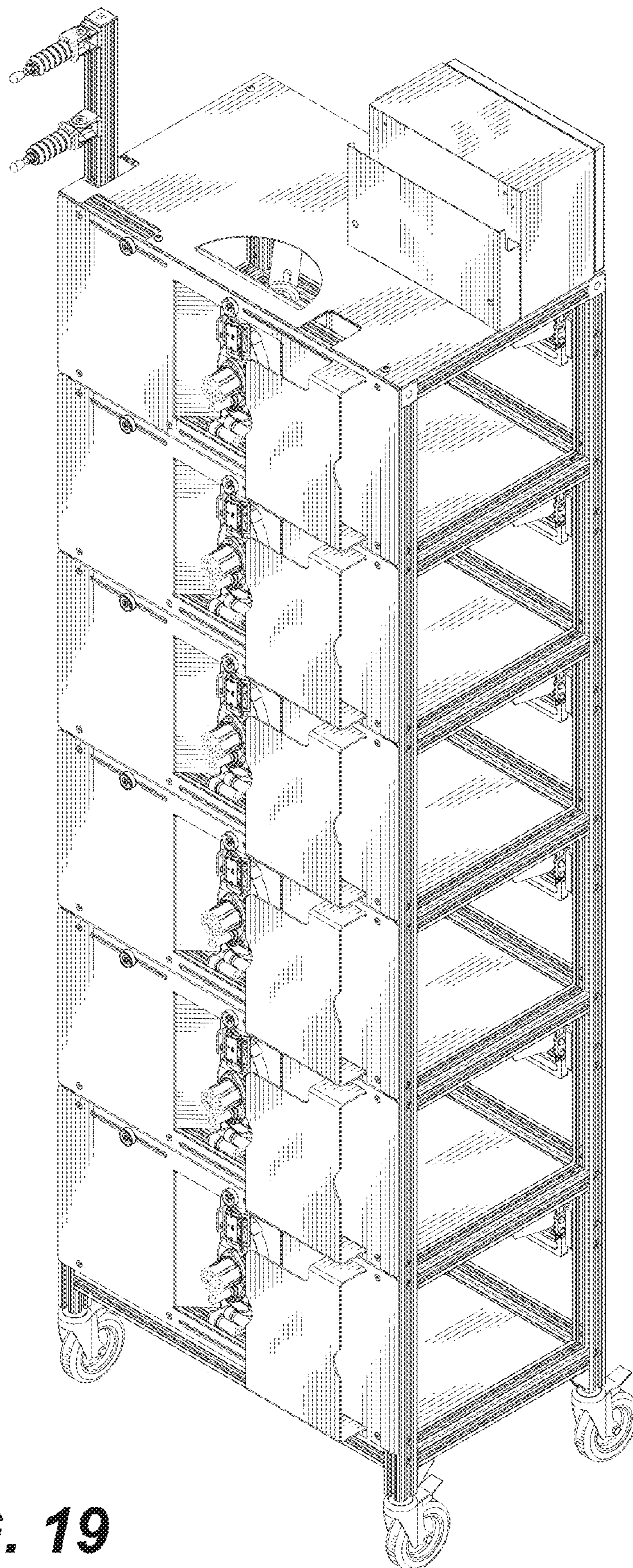


FIG. 19

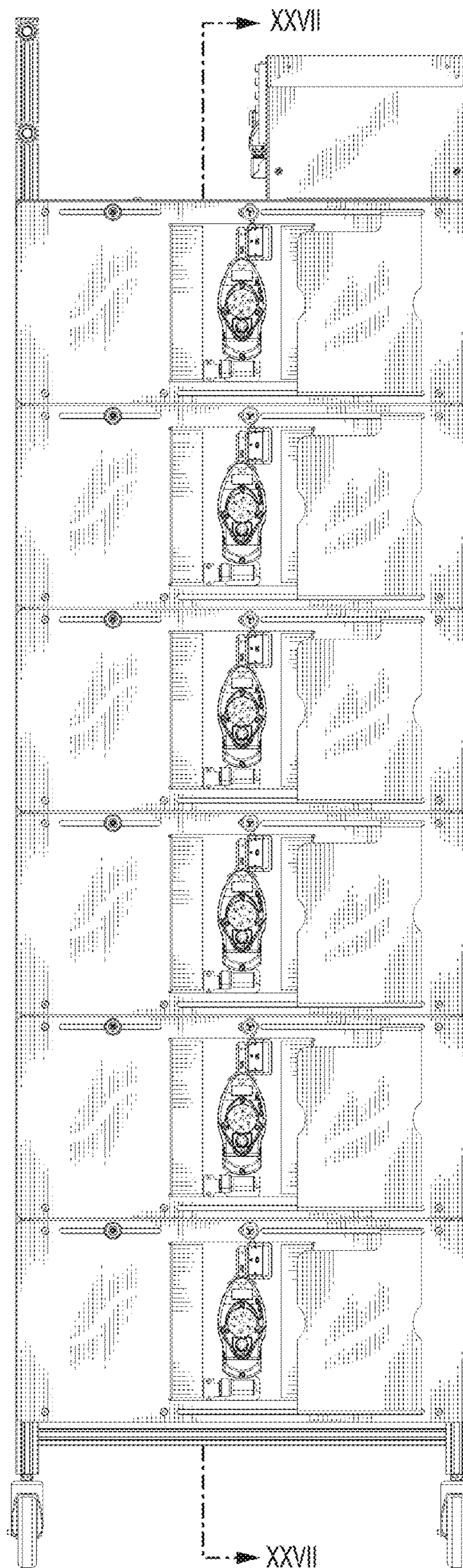


FIG. 20

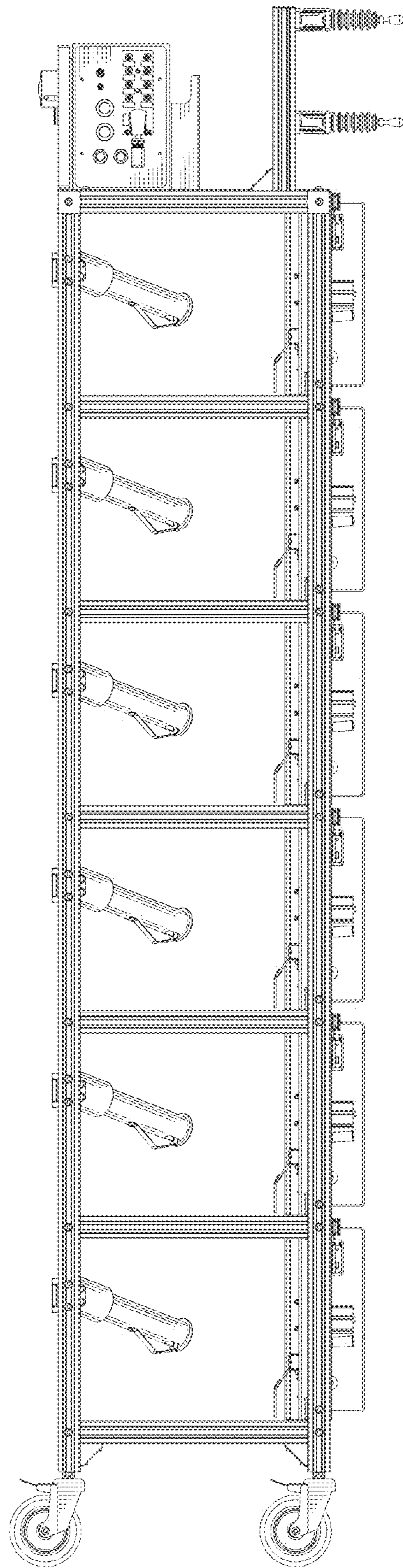


FIG. 21

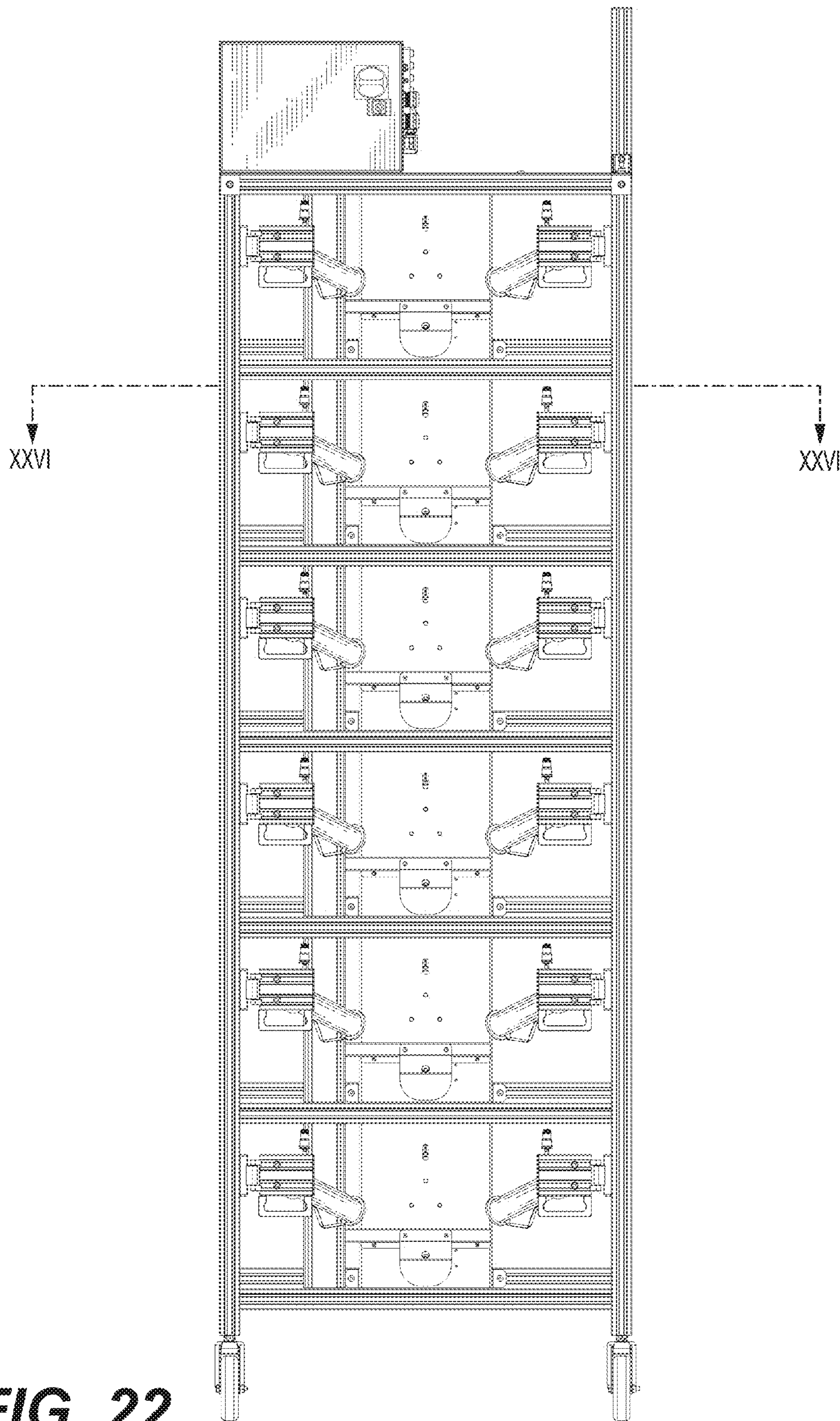


FIG. 22

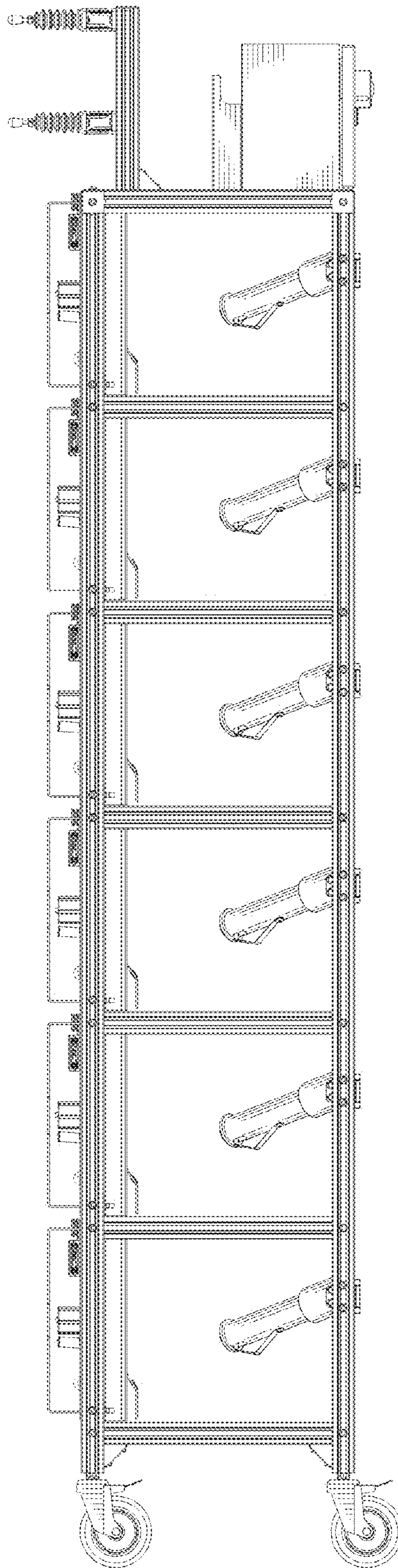


FIG. 23

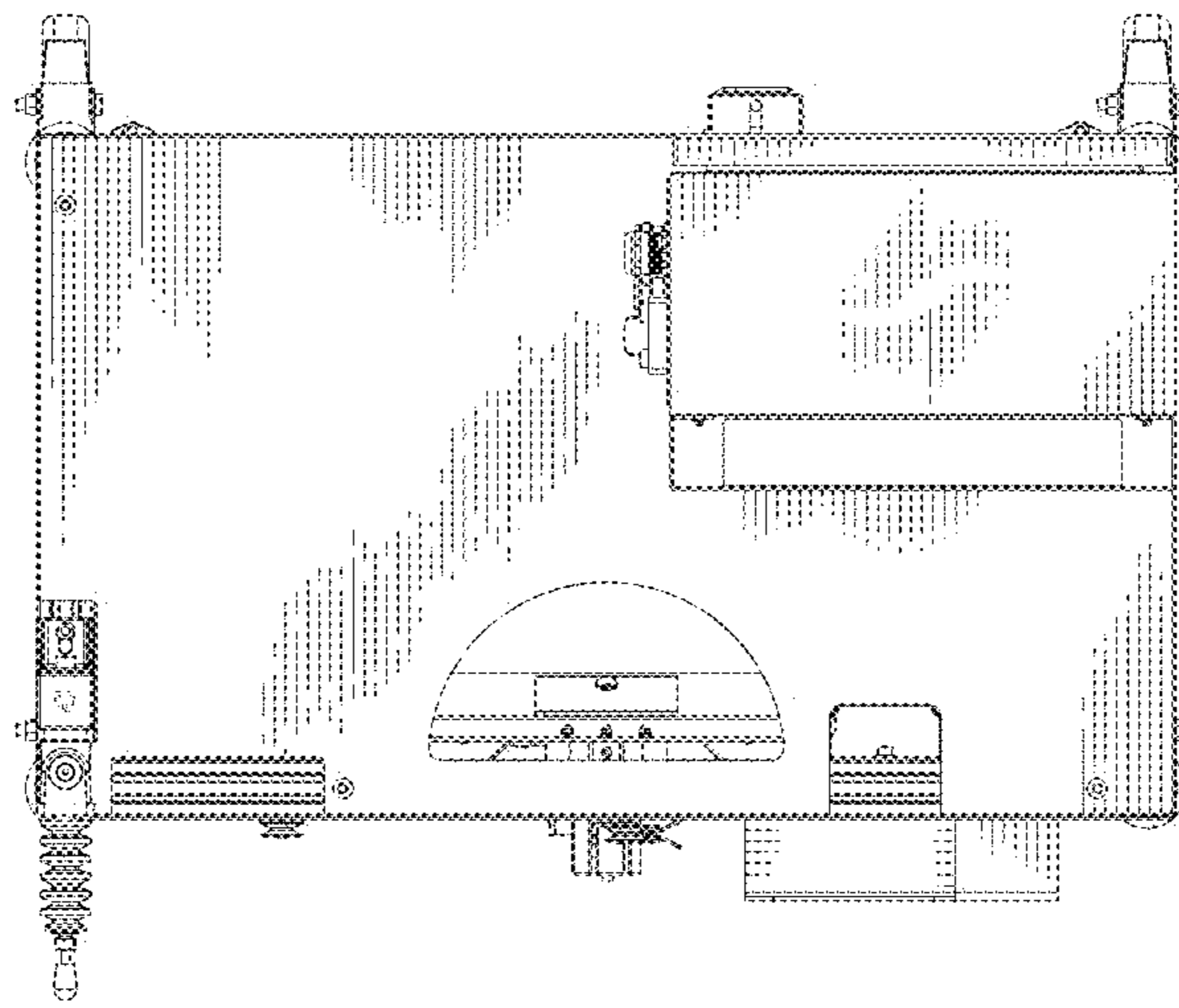


FIG. 24

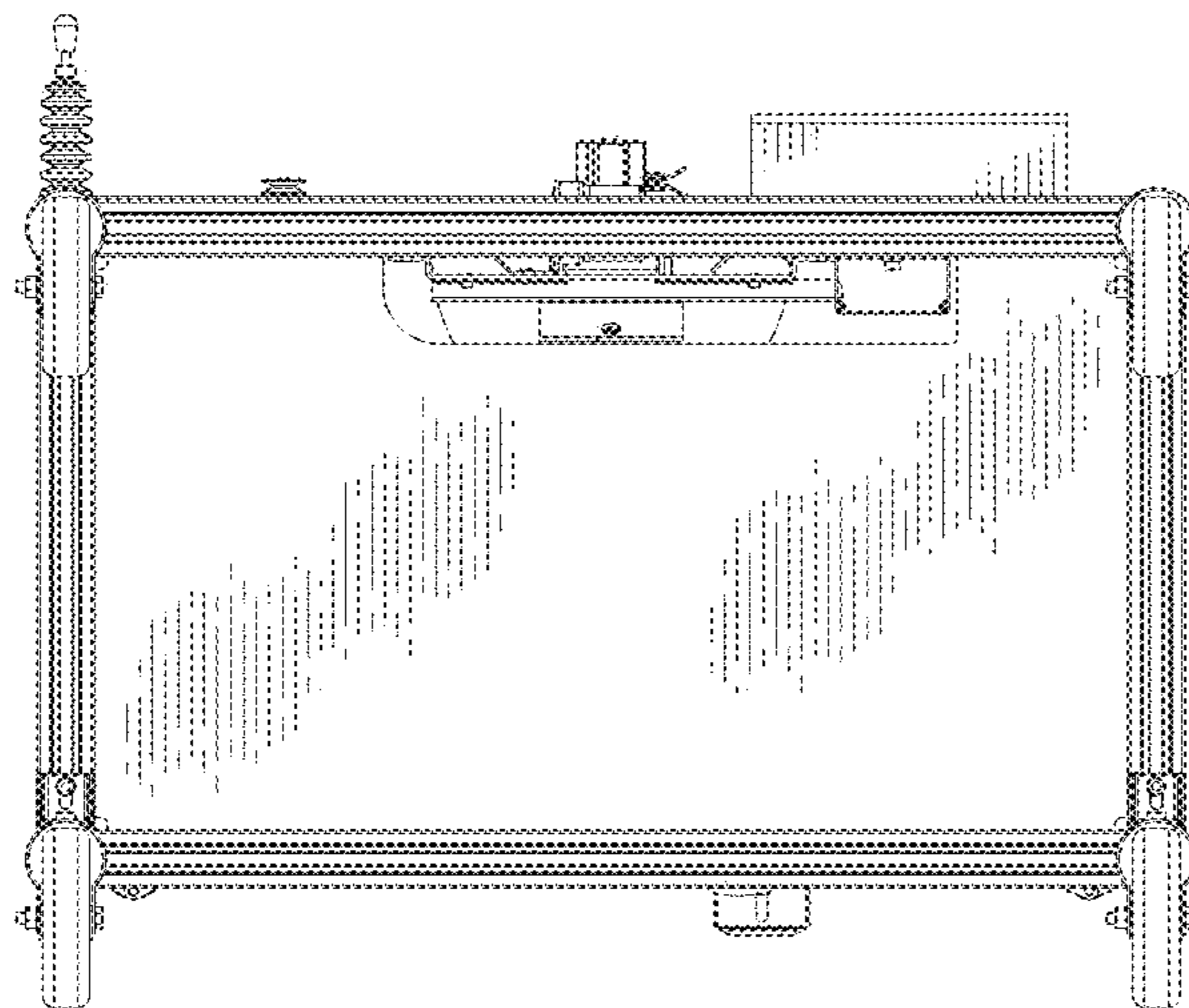


FIG. 25

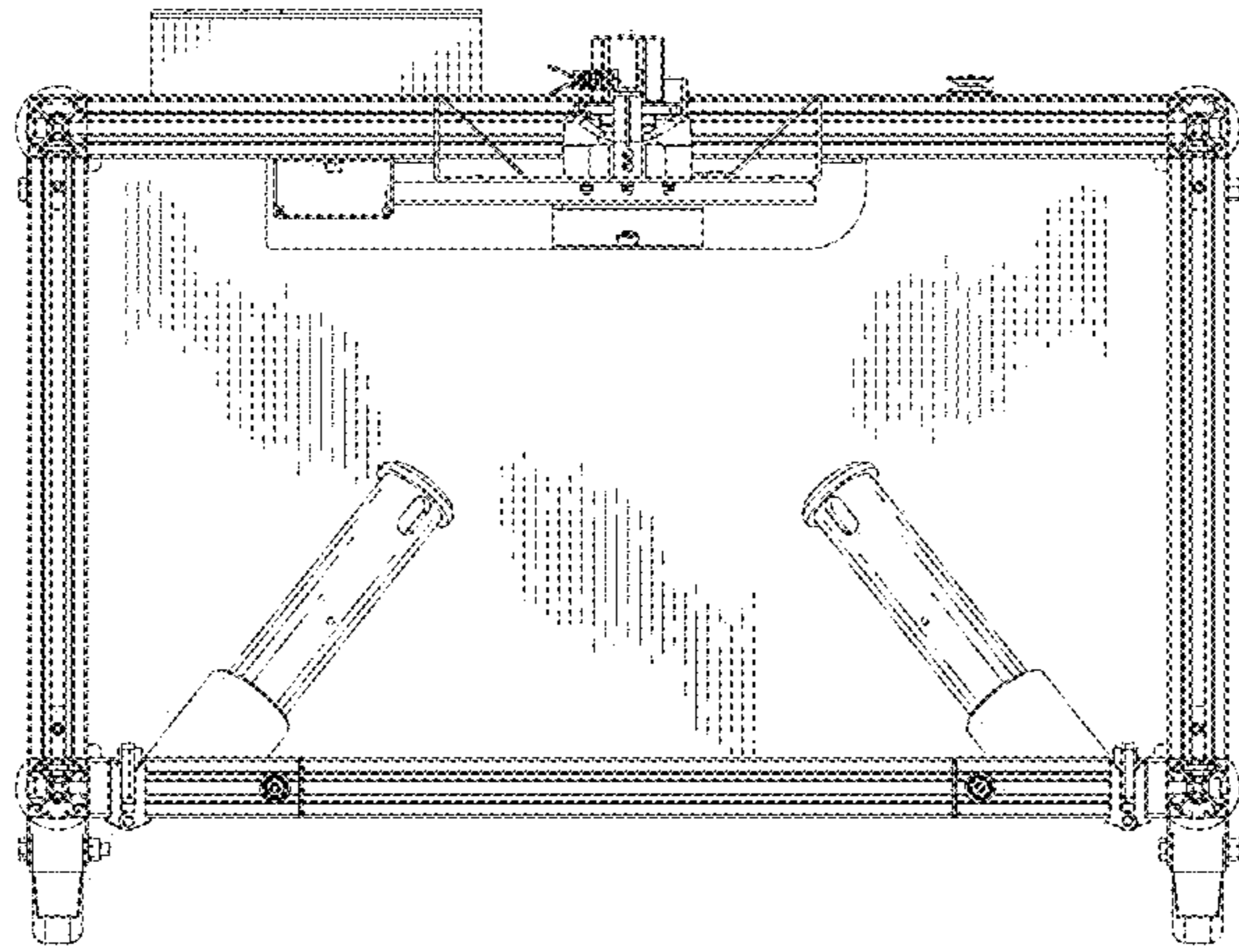


FIG. 26

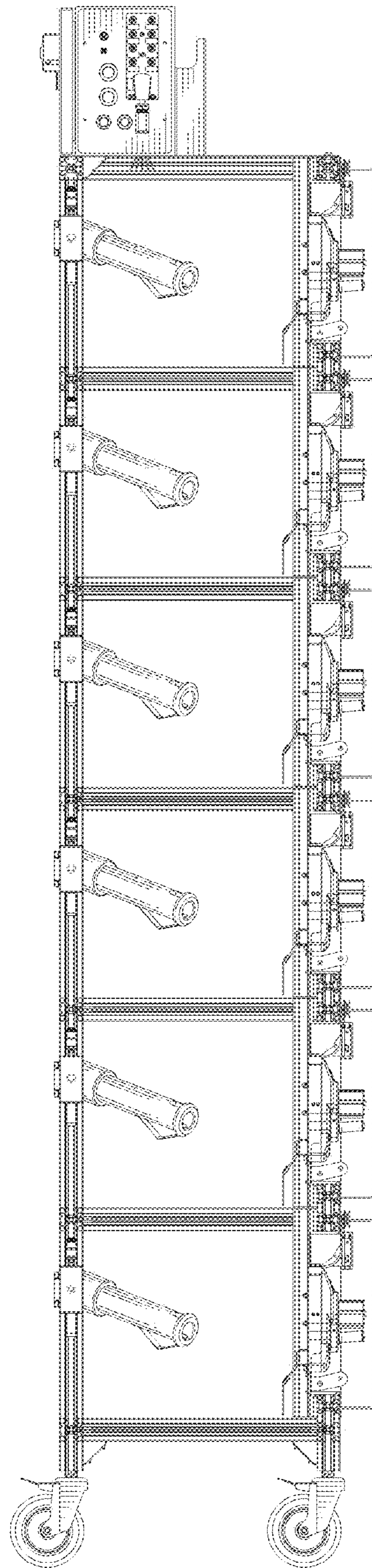


FIG. 27