



US00D938498S

(12) **United States Design Patent** (10) **Patent No.:** **US D938,498 S**  
**Bottema** (45) **Date of Patent:** **\*\* Dec. 14, 2021**

(54) **TRAIL GROOMING DEVICE**

FOREIGN PATENT DOCUMENTS

(71) Applicant: **Jonathan Bottema**, Corcoran, MN  
(US)

CA 2808194 A1 \* 9/2013 ..... A01B 29/06  
DE 102016009433 A1 \* 2/2018 ..... A01F 25/183

(Continued)

(72) Inventor: **Jonathan Bottema**, Corcoran, MN  
(US)

OTHER PUBLICATIONS

(\*\*) Term: **15 Years**

My Trail Groomer; Which groomer is right for me?; Downloaded on Oct. 28, 2019 from <URL: <https://www.mytrailgroomer.com/which-groomer.html>>.

(Continued)

(21) Appl. No.: **29/715,528**

(22) Filed: **Dec. 3, 2019**

(51) **LOC (13) Cl.** ..... **15-03**

(52) **U.S. Cl.**

USPC ..... **D15/27**

(58) **Field of Classification Search**

USPC ..... D15/27, 28, 29; D8/1, 8

CPC ..... E02F 3/7663; E02F 3/967; E02F 3/961;

E02F 3/848; A01B 49/027; A01B 29/04;

A01B 29/00; E01H 4/02

See application file for complete search history.

*Primary Examiner* — Holly E Thurman

*Assistant Examiner* — Ieisha N Price

(74) *Attorney, Agent, or Firm* — Wesley E. Schwie, Esq.;  
Gallium Law

(57)

**CLAIM**

The ornamental design for a trail grooming device, as shown and described.

(56) **References Cited**

U.S. PATENT DOCUMENTS

680,267 A \* 8/1901 Newton ..... A01B 29/04

172/537

688,577 A \* 12/1901 Barber ..... A01B 29/04

172/537

759,132 A \* 5/1904 Schinbeckler ..... A01B 29/04

172/537

1,023,139 A \* 4/1912 Dunham ..... A01B 39/04

172/431

1,082,739 A \* 12/1913 Dunham ..... A01B 29/04

172/537

1,094,201 A \* 4/1914 Dunham ..... A01B 29/04

172/187

1,140,575 A \* 5/1915 Cockrum ..... A01B 29/04

172/537

1,144,897 A \* 6/1915 Gerlaugh ..... A01B 29/04

172/537

1,237,182 A \* 8/1917 Dunham ..... A01B 29/04

172/537

1,260,573 A \* 3/1918 Pitman ..... A01B 29/04

172/537

(Continued)

**DESCRIPTION**

FIG. 1 is a, front, top, left side perspective view of a trail grooming device embodying the new design;

FIG. 2 is a rear, top, right side perspective view thereof;

FIG. 3 is a top view thereof;

FIG. 4 is a bottom view thereof;

FIG. 5 is a front view thereof;

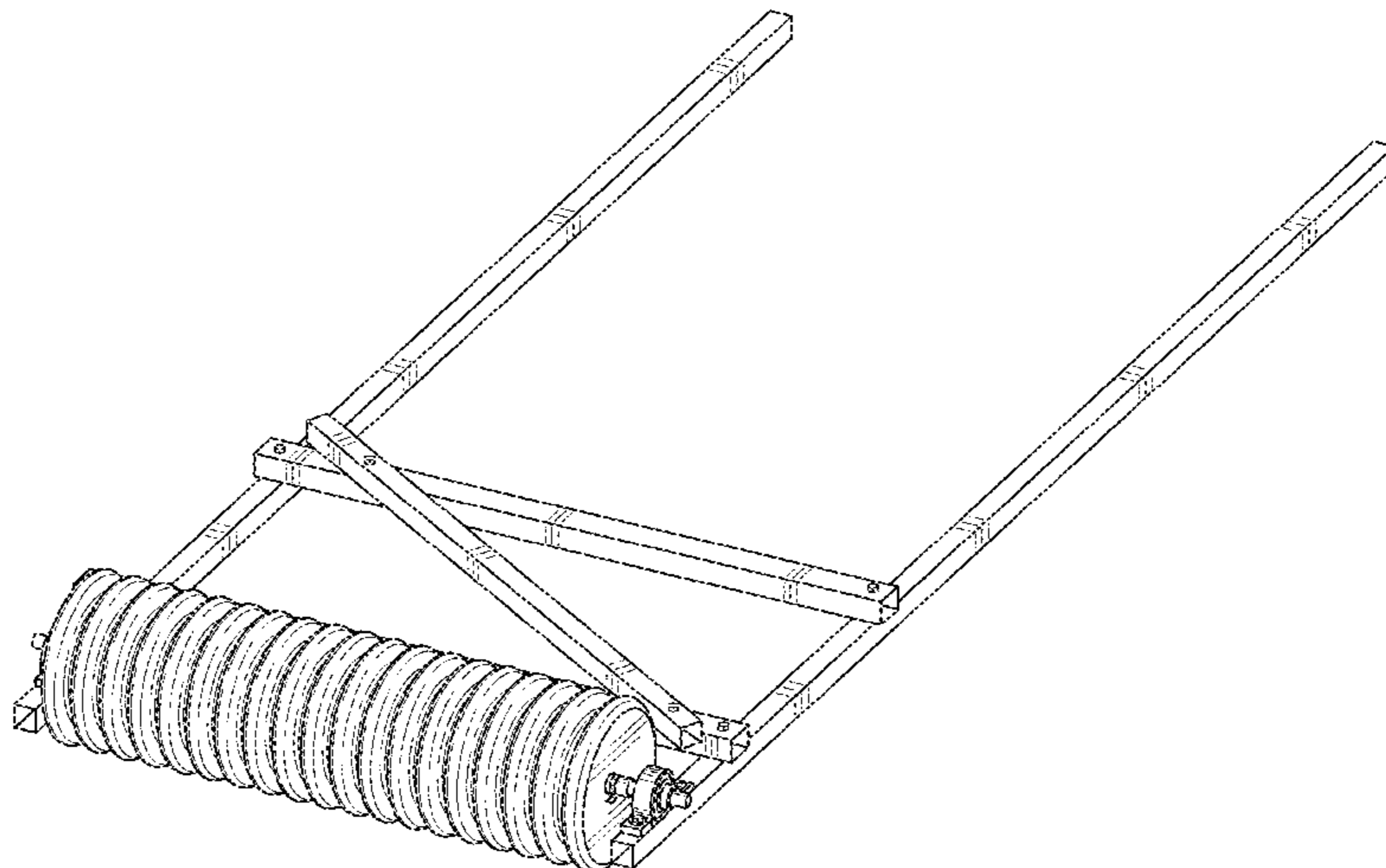
FIG. 6 is a rear view thereof;

FIG. 7 is a left side view thereof; and,

FIG. 8 is a right side view thereof.

The broken lines in the drawings illustrate portions of the trail grooming device and form no part of the claimed design.

**1 Claim, 8 Drawing Sheets**



(56)

References Cited

U.S. PATENT DOCUMENTS

1,302,146 A \* 4/1919 Fetzer ..... A01B 29/04  
172/537  
1,386,132 A \* 8/1921 Rodemeyer ..... A01B 29/04  
172/537  
1,418,780 A \* 6/1922 Dewend ..... A01B 29/041  
172/537  
1,424,358 A \* 8/1922 Hoke ..... A01B 29/04  
172/537  
1,477,323 A \* 12/1923 Dennis ..... A01B 29/04  
172/537  
1,624,084 A \* 4/1927 Wagner ..... A01B 29/04  
172/537  
1,637,424 A \* 8/1927 Morrow ..... A01B 29/041  
172/537  
1,645,994 A \* 10/1927 Lloyd ..... A01B 29/04  
172/179  
1,653,349 A \* 12/1927 Dunham ..... A01B 29/04  
172/537  
1,670,537 A \* 5/1928 Guy ..... A01B 29/04  
172/537  
1,691,565 A \* 11/1928 Dewend ..... A01B 29/04  
172/537  
1,764,944 A \* 6/1930 Fisher ..... A01B 29/00  
172/150  
1,827,726 A \* 10/1931 Bissell ..... A01B 29/04  
172/537  
2,037,621 A \* 4/1936 Dunham ..... A01B 49/027  
172/142  
2,114,140 A \* 4/1938 Grundeman ..... A01B 29/041  
172/537  
2,261,666 A \* 11/1941 Selhorst ..... A01B 49/027  
172/142  
2,983,204 A 5/1961 Odd  
3,623,406 A 11/1971 Leben  
3,639,005 A \* 2/1972 Holm ..... E01H 4/02  
299/25  
3,878,900 A 4/1975 Boisse  
4,163,329 A 8/1979 Neff  
4,437,245 A 3/1984 Nigmela  
4,583,307 A 4/1986 Lenert  
4,693,023 A 9/1987 Niemela  
4,932,477 A \* 6/1990 Atwood ..... A01B 29/043  
172/519

5,507,139 A \* 4/1996 Delperdang ..... A01D 84/00  
56/366  
6,607,330 B2 8/2003 Philpott  
6,698,111 B2 3/2004 Lela  
D568,907 S \* 5/2008 Barton, Jr. .... D15/20  
D644,667 S \* 9/2011 Barton, Jr. .... D15/20  
8,701,312 B2 4/2014 Wagger  
D815,157 S \* 4/2018 Cloutier Boily ..... D15/28  
D816,726 S \* 5/2018 Cloutier Boily ..... D15/28  
D861,739 S \* 10/2019 Fox ..... D15/28  
2008/0066349 A1 3/2008 Gaudette  
2011/0203817 A1 8/2011 Hanson  
2016/0348326 A1 12/2016 Betono  
2019/0254219 A1\* 8/2019 Sorenson ..... E01C 19/23

FOREIGN PATENT DOCUMENTS

JP 4526098 B1 8/2010  
JP 2017025521 A 2/2017  
RU 2652943 C2 5/2018

OTHER PUBLICATIONS

City MTB; Winter grooming options for urban trails; Downloaded on Oct. 28, 2019 from <URL: <http://www.citymtb.org/home/winter-grooming-options-for-urban-trails>>; Prior art at least as of Oct. 17, 2018.  
Capital Off Road Pathfinders; human powered fat bike grooming?; Downloaded on Oct. 28, 2019 from <URL: <https://www.madcitydirt.com/index.php?topic=2800.0>>; Prior art at least as of Feb. 2, 2015.  
Snow Groomers; Path-Master; Downloaded on Oct. 28, 2019 from <URL: <https://www.snowgroomers.net/path-master/>>.  
Fat Bike; CAMBA Fat-bike Trail Grooming Report and Techniques; Downloaded on Oct. 28, 2019 from <URL: <https://fat-bike.com/2015/02/camba-fat-bike-trail-grooming-report-and-techniques/>>; Prior art at least as of Feb. 7, 2015.  
Tidd Tech; The 6' Snow Roller; Downloaded on Oct. 28, 2019 from <URL: <http://tiddtech.com/product/snow-groomers/6-snow-roller/>>.  
ABR Ski; Roller Price List; Downloaded on Oct. 28, 2019 from <URL: <http://www.abrski.com/grooming/equipment/roller-price-list>>; Prior art at least as of Oct. 20, 2018.

\* cited by examiner

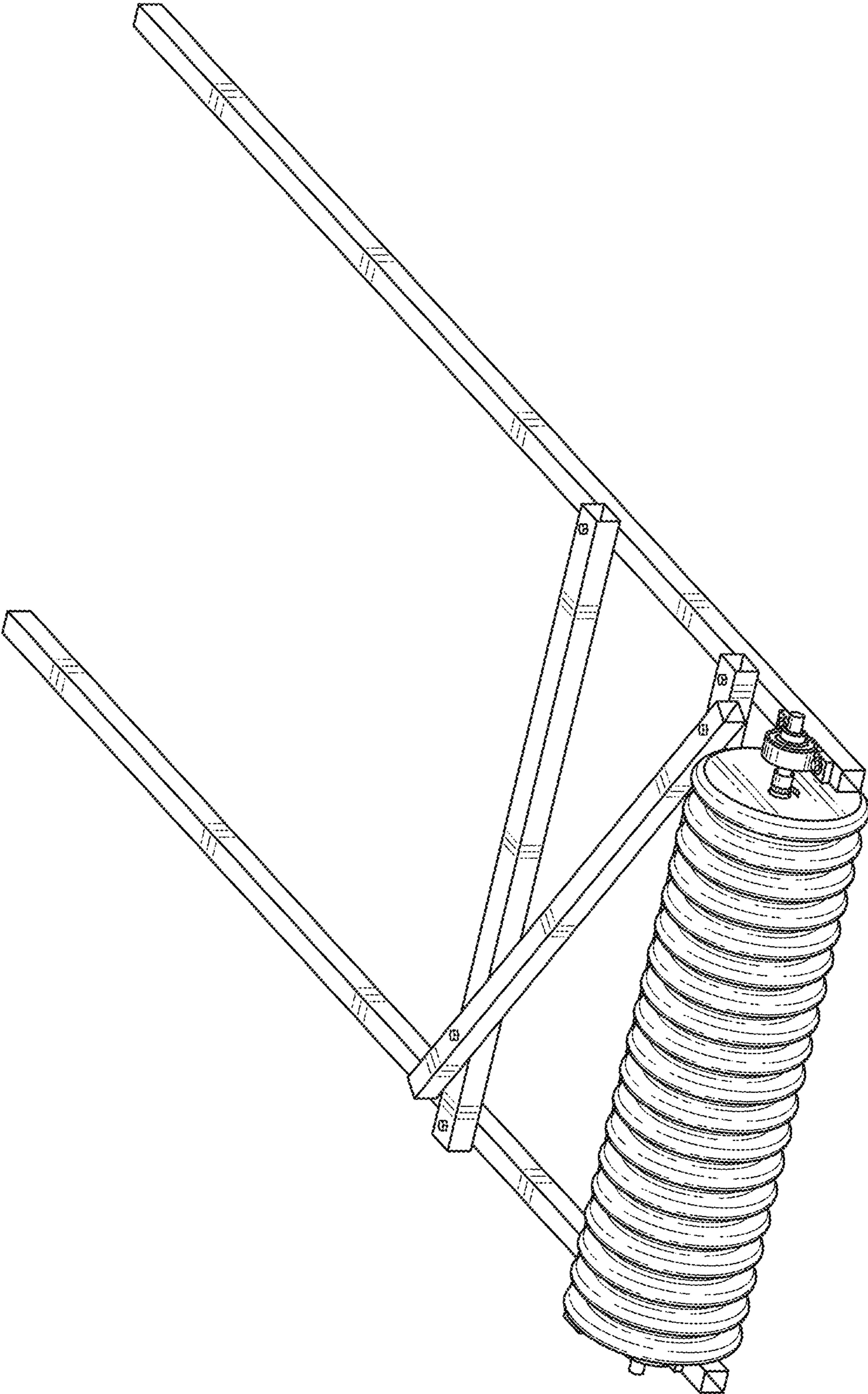


FIG. 1

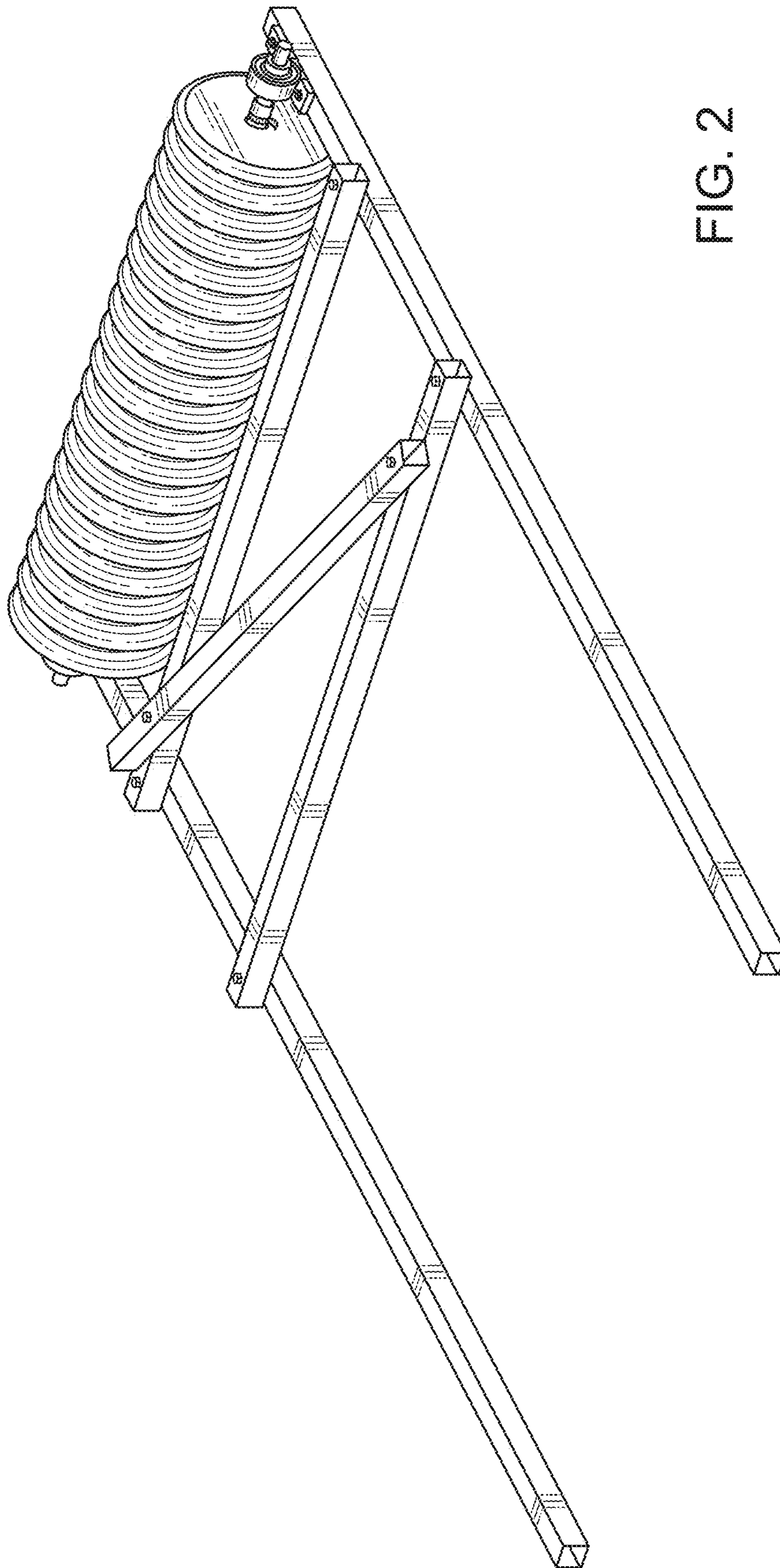


FIG. 2

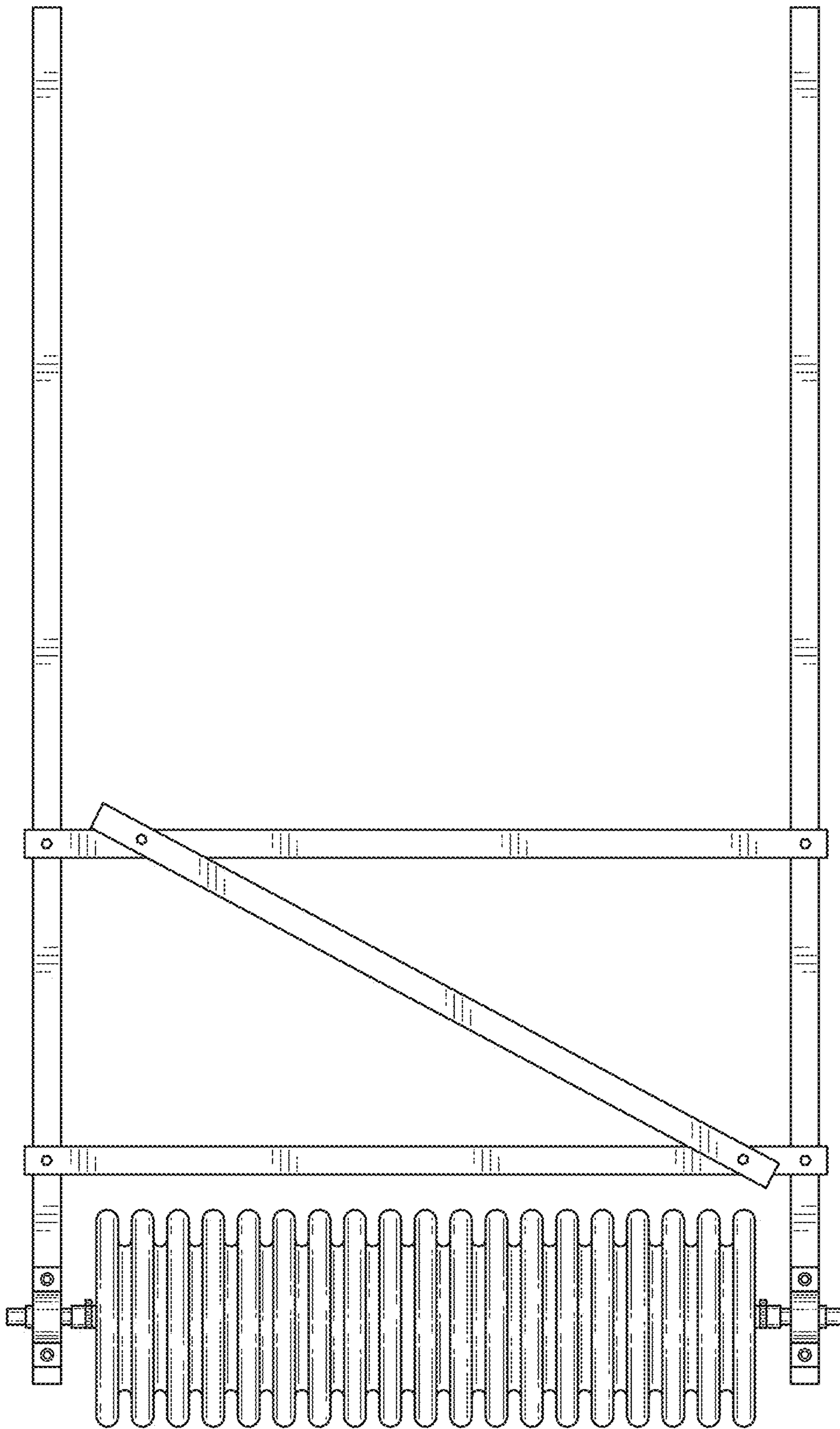


FIG. 3

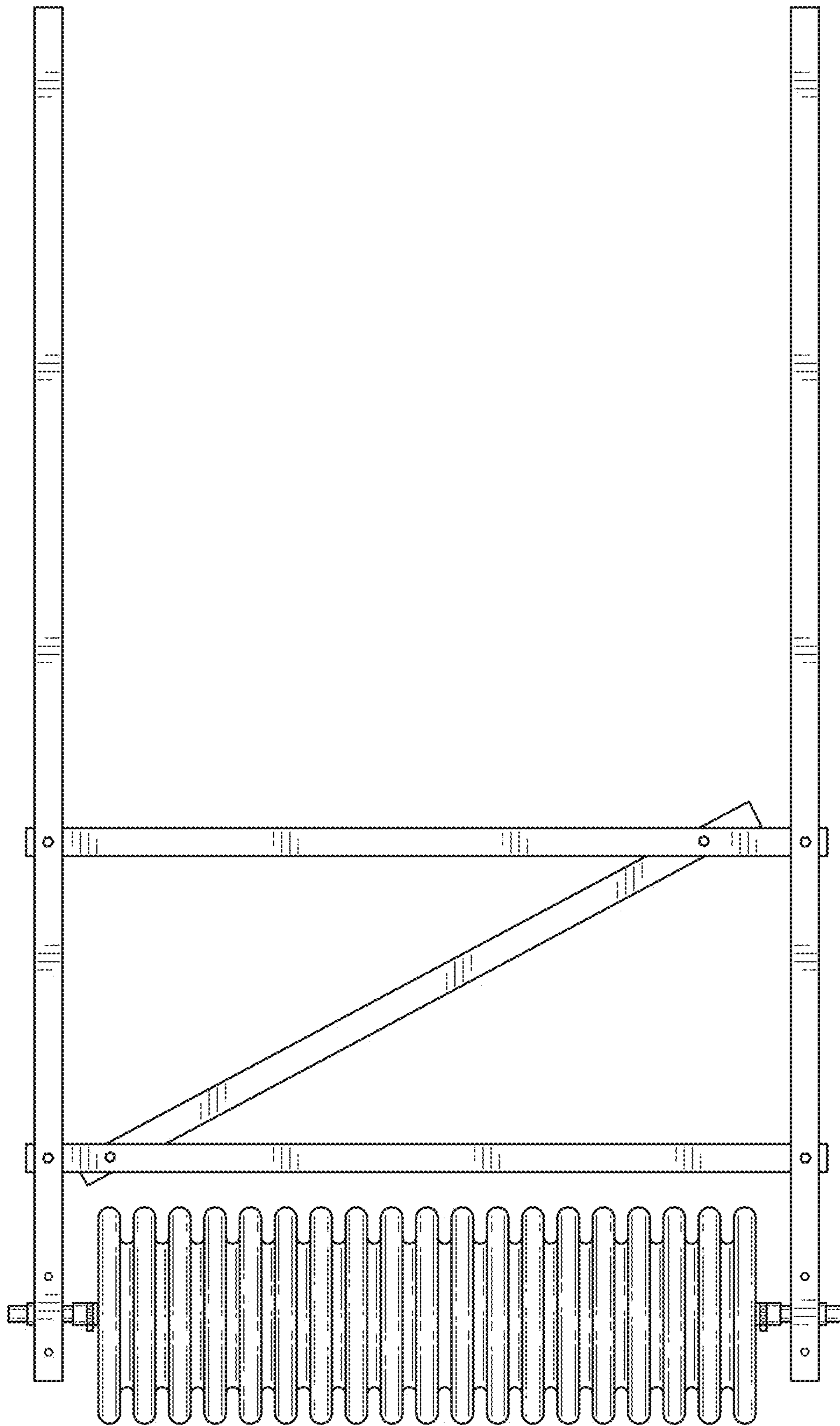


FIG. 4

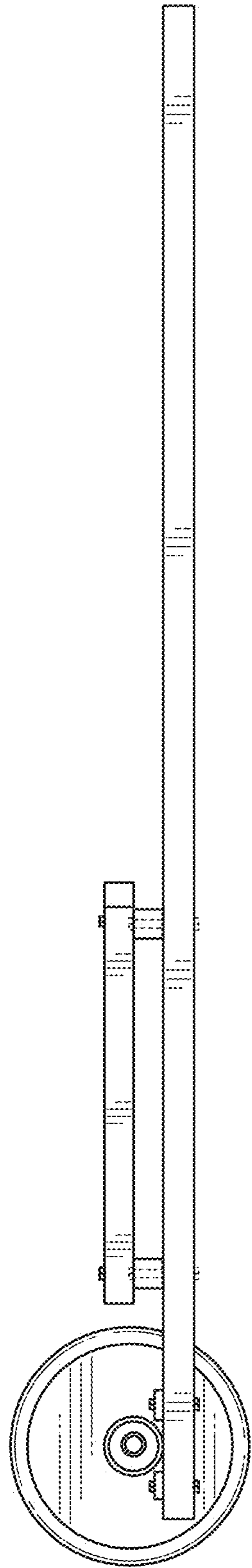


FIG. 5

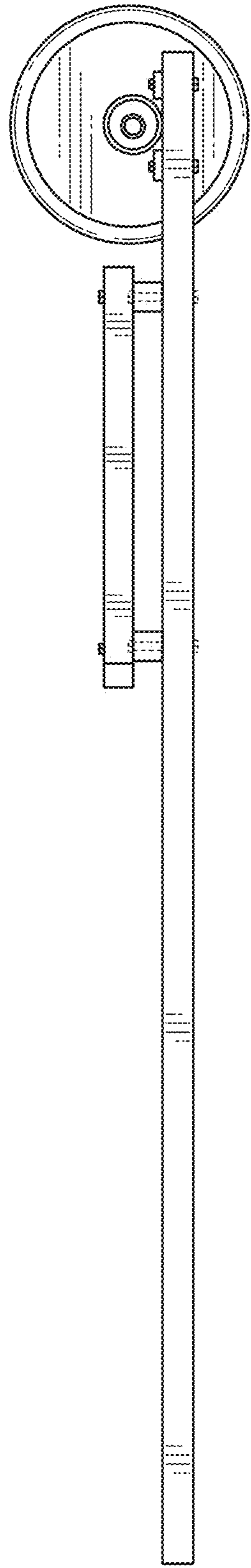


FIG. 6



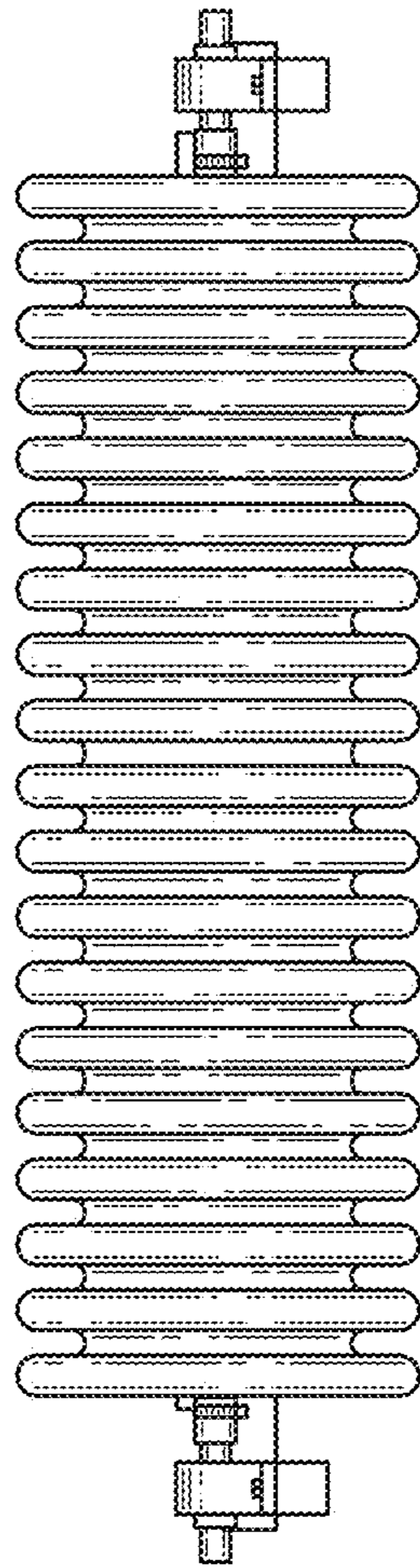


FIG. 7

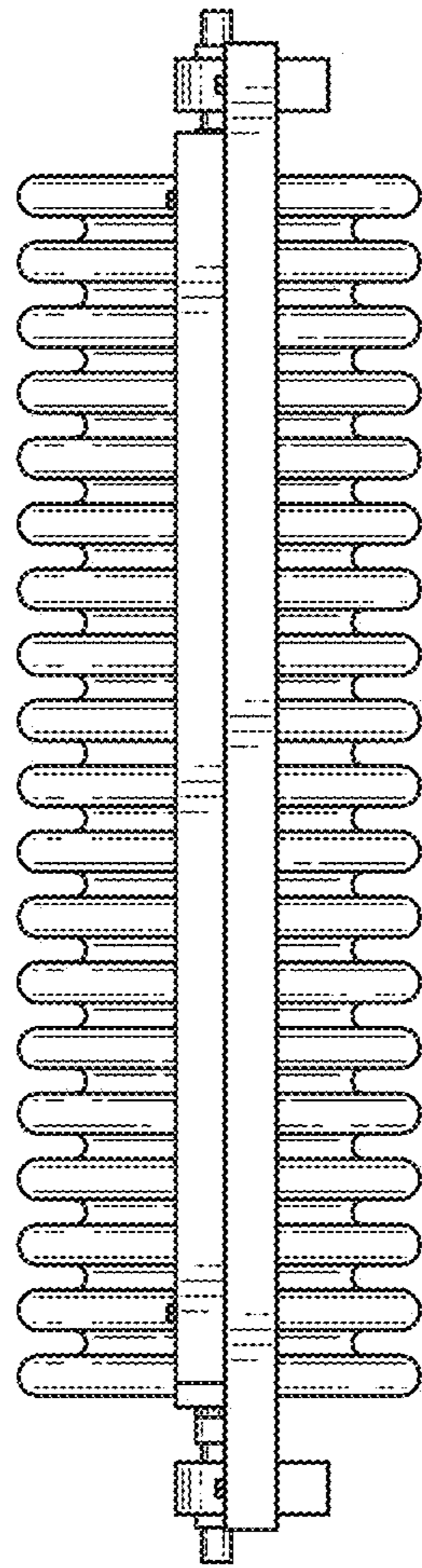


FIG. 8