



US00D938496S

(12) **United States Design Patent** (10) **Patent No.:** **US D938,496 S**
Kamble et al. (45) **Date of Patent:** **** Dec. 14, 2021**

(54) **ROCKER SHAFT**
(71) Applicant: **Powerhouse Engine Solutions**
Switzerland IP Holding GmbH, Zug
(CH)
(72) Inventors: **Sandeep Kamble, Bangalore (IN);**
Dattaraya Somnath Bhagoji,
Bangalore (IN)
(73) Assignee: **Powerhouse Engine Solutions**
Switzerland IP Holding GmbH, Zug
(CH)
(**) Term: **15 Years**
(21) Appl. No.: **29/739,807**
(22) Filed: **Jun. 29, 2020**
(51) **LOC (13) Cl.** **15-01**
(52) **U.S. Cl.**
USPC **D15/5**
(58) **Field of Classification Search**
USPC D15/1-6, 141, 148, 149
CPC ... F01L 1/053; F01L 1/18; F01L 1/181; F01L
1/182; F01L 1/185; F01L 1/24; F01L
2001/186; F01L 2001/187; F01L
2001/188; F01L 13/0021; F01L 13/0036
See application file for complete search history.

D820,320 S * 6/2018 Kencevski D15/5
D830,414 S * 10/2018 Raimondi D15/5
D839,310 S * 1/2019 Alessandria D15/5
D845,350 S * 4/2019 Gillespie D15/5
D846,000 S * 4/2019 Paddock D15/5
D857,752 S * 8/2019 McCarthy, Jr. D15/5
D880,529 S * 4/2020 Liu D15/5
D889,512 S * 7/2020 Hudnall D15/5
D895,402 S * 9/2020 Hung D8/354
D902,252 S * 11/2020 Joshi D15/5
D913,336 S * 3/2021 Joshi D15/5

OTHER PUBLICATIONS

“KOENIG EXPANDER® MB Sealing technology,” YouTube Web-
site, Available Online at <https://www.youtube.com/watch?v=zcCnGM4ih64>, Jun. 21, 2015, 4 pages.
Kamble, S. et al., “An Ornamental Design for a Rocker Arm,” U.S.
Appl. No. 29/739,813, filed Jun. 29, 2020, 9 pages.
Kamble, S. et al., “An Ornamental Design for a Rocker Pedestal,”
U.S. Appl. No. 29/739,815, filed Jun. 29, 2020, 9 pages.

* cited by examiner

Primary Examiner — Michael C Stout
Assistant Examiner — Fritzgerald L Butac
(74) *Attorney, Agent, or Firm* — McCoy Russell LLP

(57) **CLAIM**

The ornamental design for a rocker shaft, as shown and
described.

DESCRIPTION

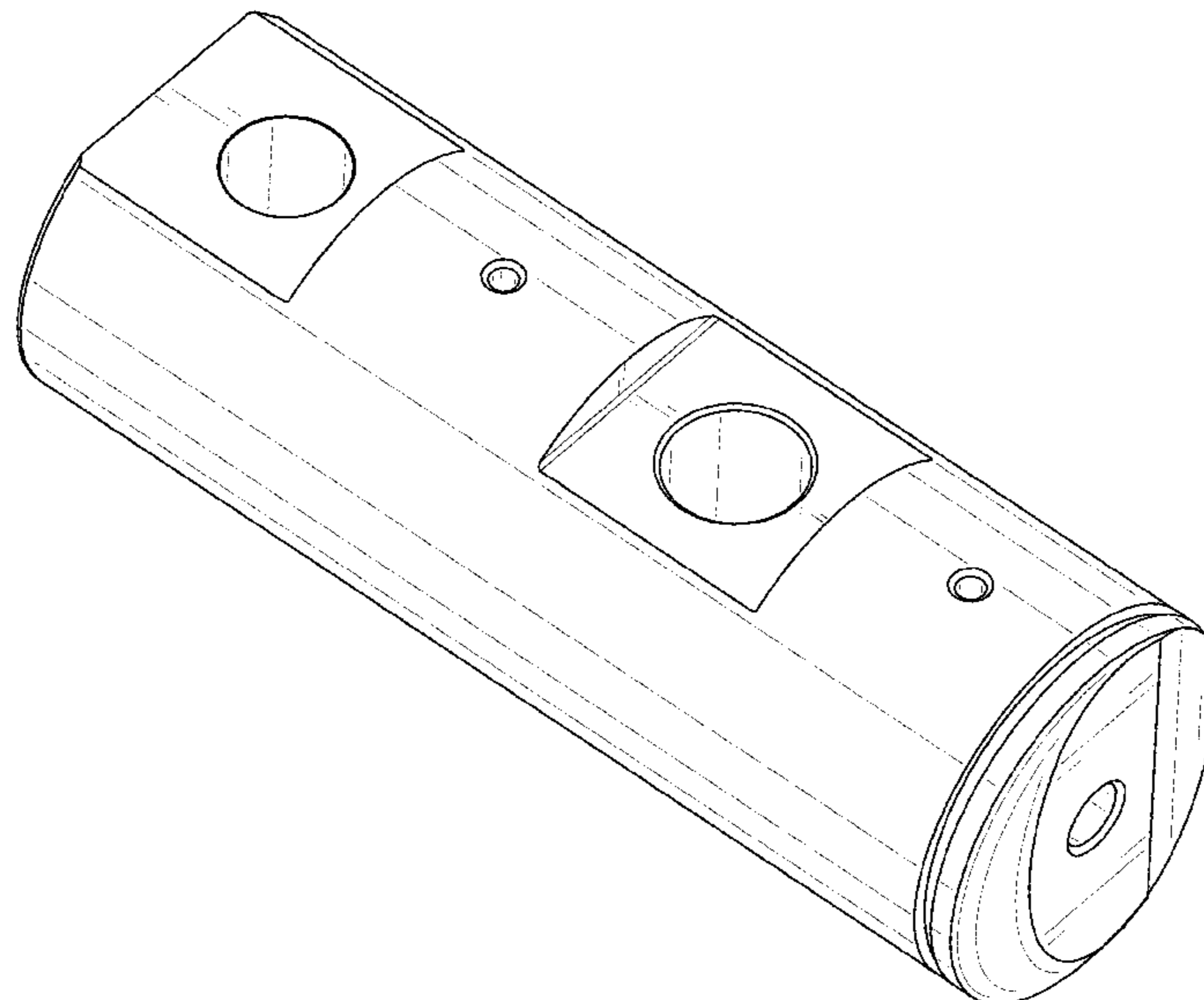
FIG. 1 is a front-top-left perspective view of a rocker shaft,
according to the present invention.
FIG. 2 is a front view of the rocker shaft of FIG. 1.
FIG. 3 is a rear view of the rocker shaft of FIG. 1.
FIG. 4 is a left side view of the rocker shaft of FIG. 1.
FIG. 5 is a right side view of the rocker shaft of FIG. 1.
FIG. 6 is a top view of the rocker shaft of FIG. 1; and,
FIG. 7 is a bottom view of the rocker shaft of FIG. 1.

1 Claim, 6 Drawing Sheets

(56) **References Cited**

U.S. PATENT DOCUMENTS

D167,628 S * 9/1952 Herbert D15/141
3,279,267 A * 10/1966 Ernest F02F 7/0046
74/44
D366,114 S * 1/1996 Ohata D10/61
D424,583 S * 5/2000 Mizukami D15/122
D503,941 S * 4/2005 Andersen D15/131
D769,341 S * 10/2016 Lee D15/141
D800,783 S * 10/2017 Savage D15/5
D800,785 S * 10/2017 Kallur Parasuraman D15/5



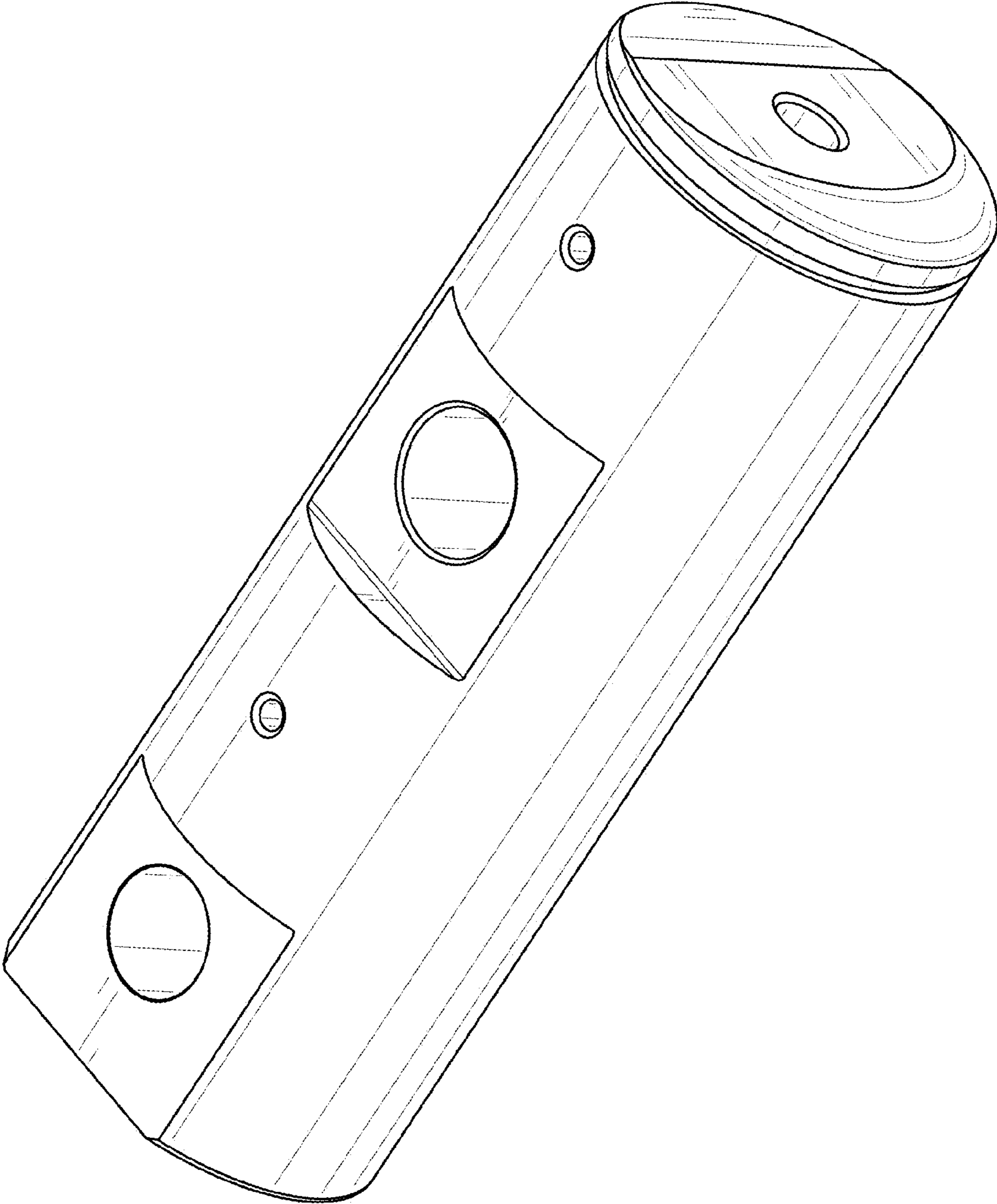


FIG. 1

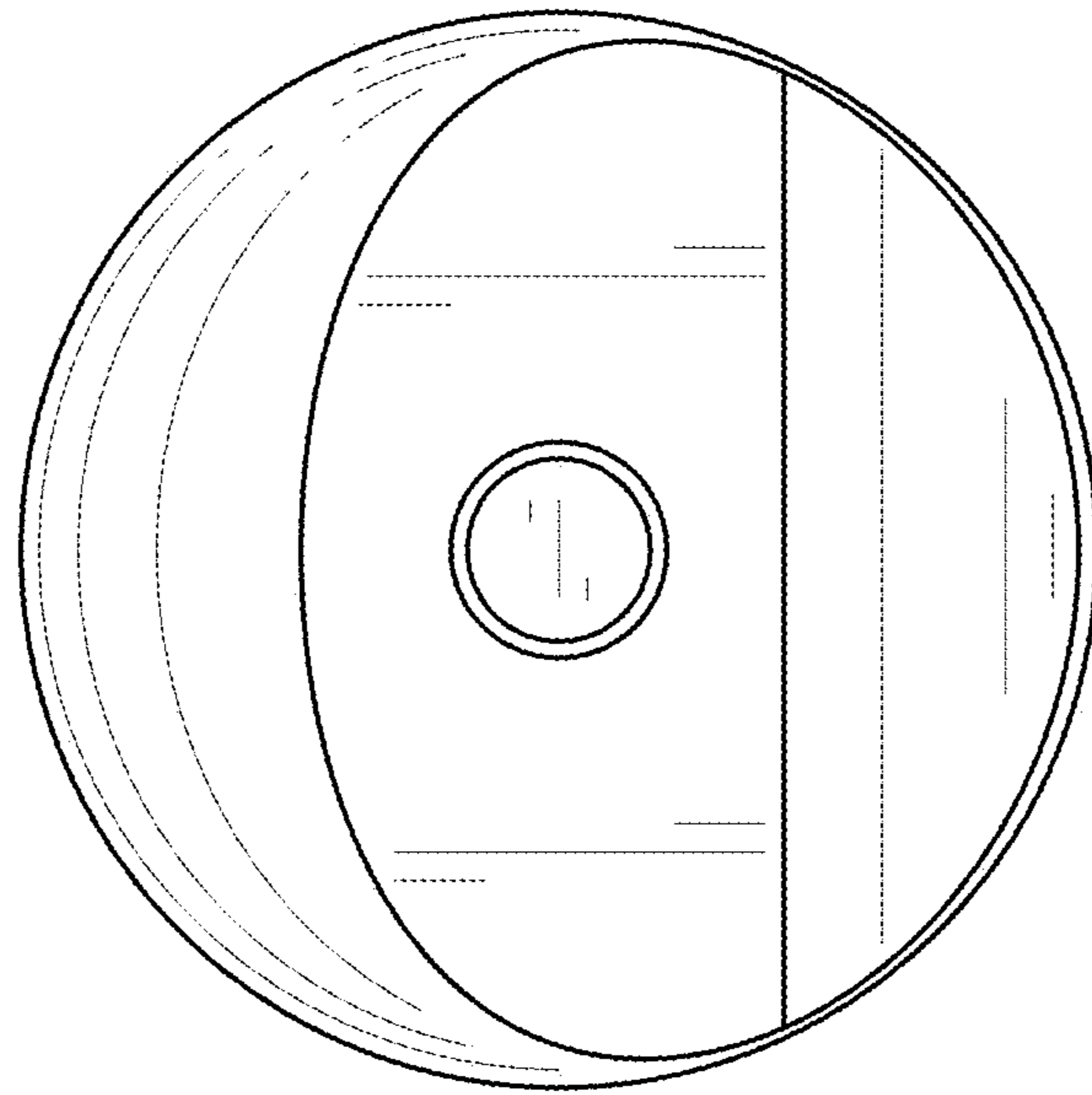


FIG. 2

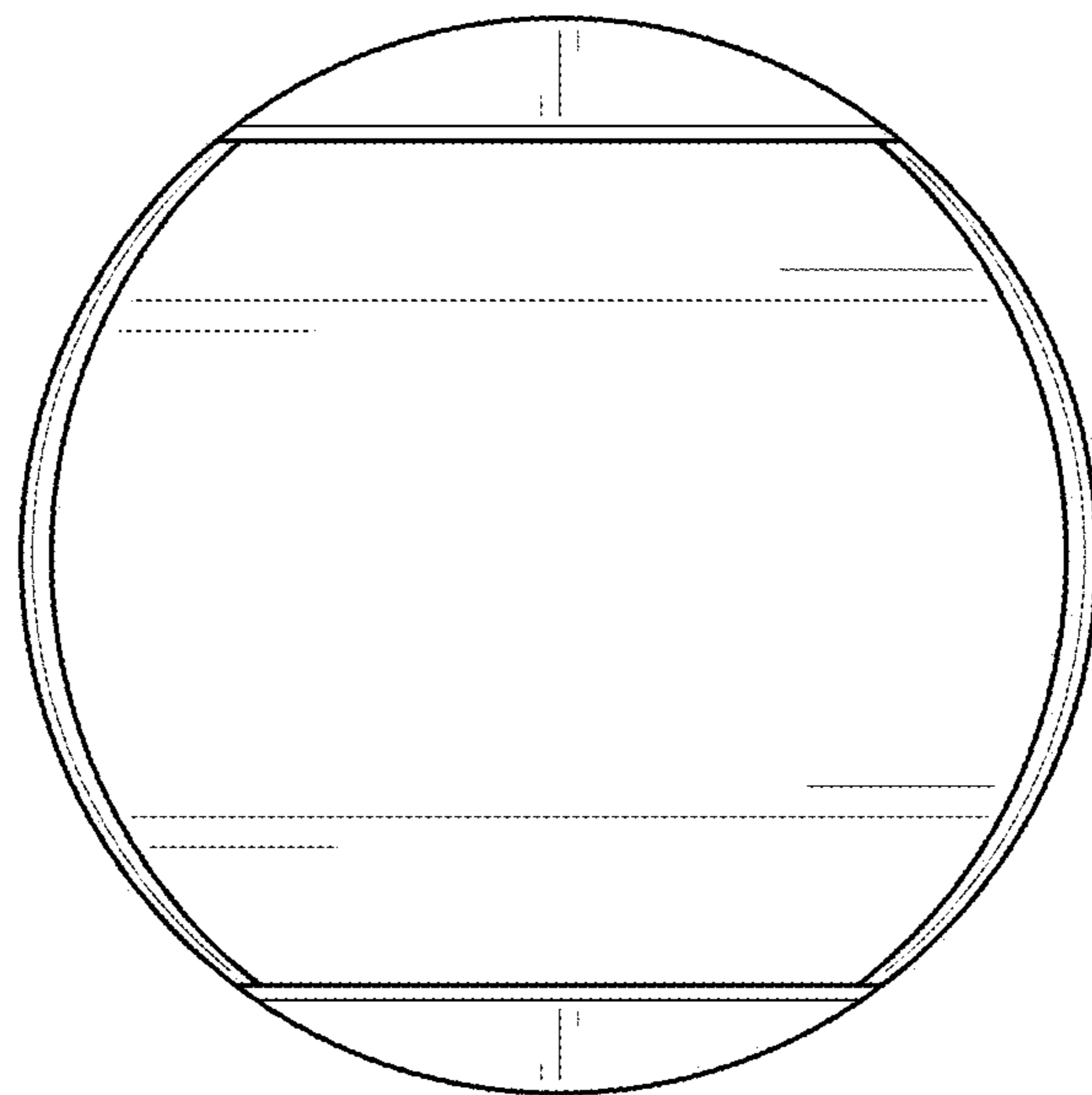


FIG. 3

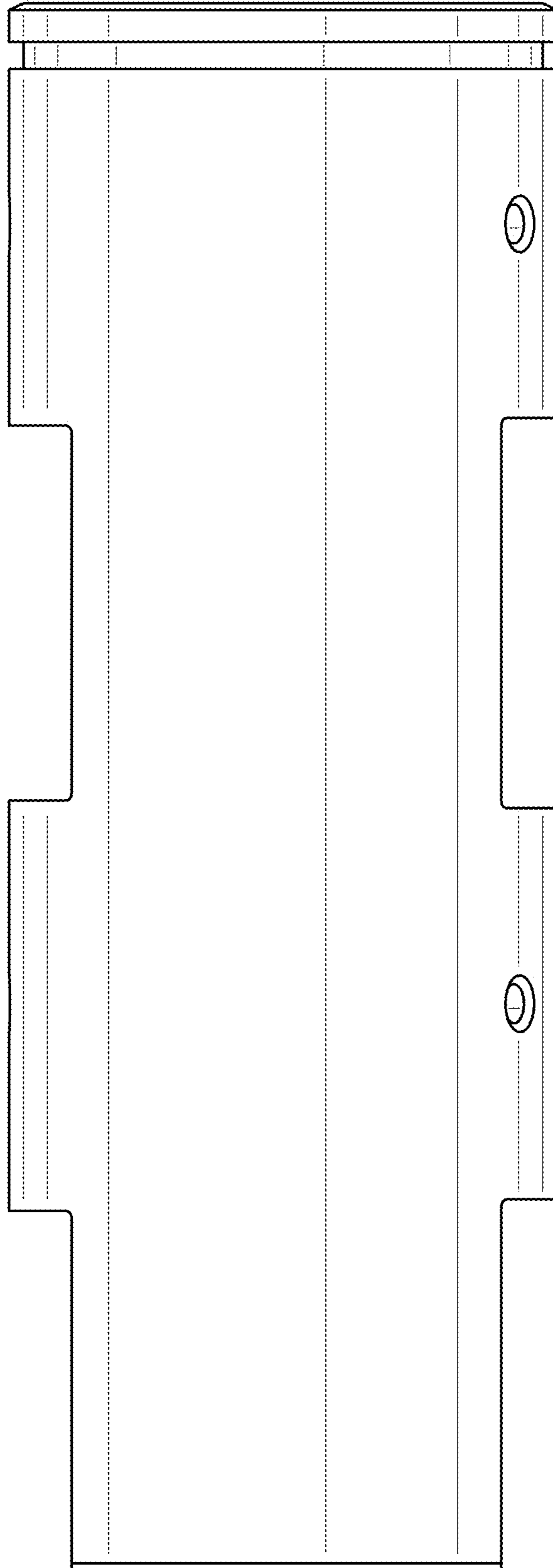


FIG. 4

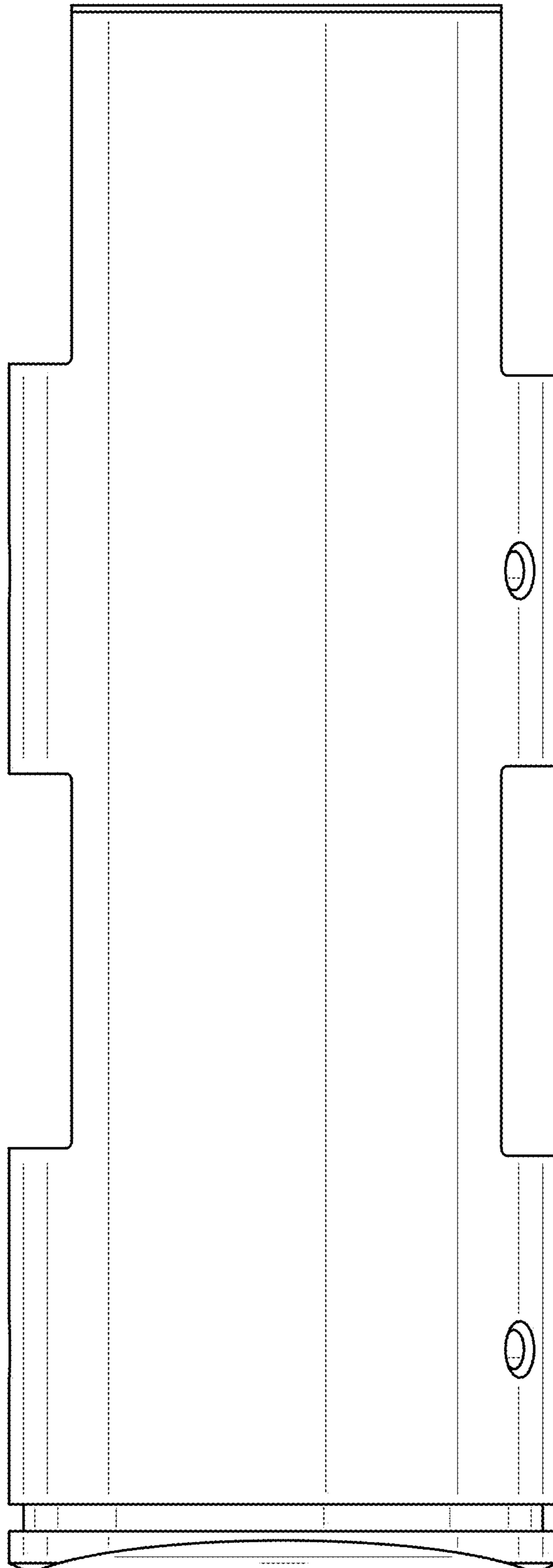


FIG. 5

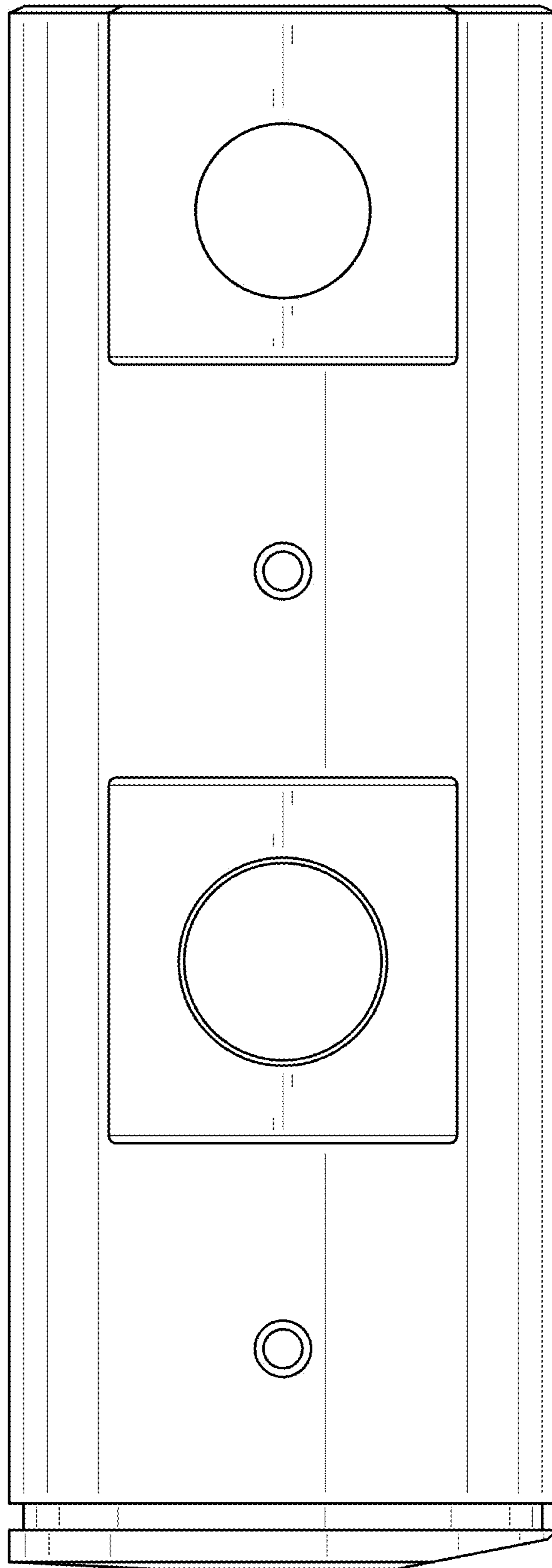


FIG. 6

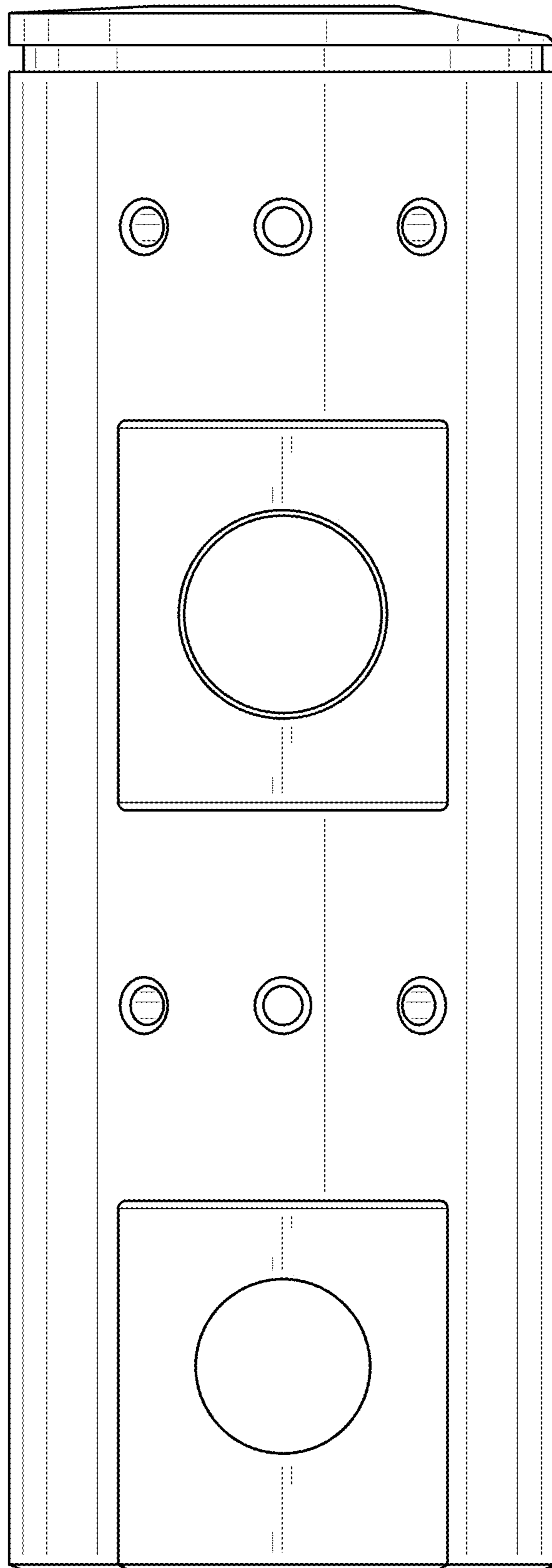


FIG. 7