



US00D938491S

(12) **United States Design Patent** (10) **Patent No.:** **US D938,491 S**  
**Dai et al.** (45) **Date of Patent:** **\*\* Dec. 14, 2021**

(54) **DISPLAY SCREEN OR PORTION THEREOF WITH A GRAPHICAL USER INTERFACE**

(71) Applicant: **GUANGDONG OPPO MOBILE TELECOMMUNICATIONS CORP., LTD.**, Guangdong (CN)

(72) Inventors: **Runda Dai**, Guangdong (CN); **Yinting Lu**, Guangdong (CN)

(73) Assignee: **GUANGDONG OPPO MOBILE TELECOMMUNICATIONS CORP., LTD.**, Guangdong (CN)

(\*\*) Term: **15 Years**

(21) Appl. No.: **29/760,049**

(22) Filed: **Nov. 27, 2020**

(30) **Foreign Application Priority Data**

May 30, 2020 (CN) ..... 202030263762.7

(51) **LOC (13) Cl.** ..... **14-04**

(52) **U.S. Cl.**  
USPC ..... **D14/492**; D14/490

(58) **Field of Classification Search**  
USPC ..... 345/1.1, 1.2, 2.1-2.3, 3.1, 902;  
D14/485-495

CPC ..... B60K 37/00; G06F 8/20; G06F 3/048-04897; G06F 3/013; G06F 3/017; G06F 3/165; G06F 16/168; G06F 16/7335; G06F 2203/014; G06F 2206/1008; G06F 2209/545; G06F 30/12; G06F 40/106; G06T 13/80; G06T 15/00; G06T 15/02; G06Q 10/10; H04M 1/6075; H04M 3/567; H04M 1/2477; H04M 1/26; H04L 51/04; H04L 12/1813; H04N 7/16; H04N 1/00408

See application file for complete search history.

(56) **References Cited**

U.S. PATENT DOCUMENTS

5,578,985	A *	11/1996	Cremers	.....	B60K 37/02 340/461
D453,167	S *	1/2002	Hasegawa	.....	D14/489
7,143,363	B1 *	11/2006	Gaynor	.....	B63B 79/15 715/771
D602,031	S *	10/2009	Vu	.....	D14/485
D604,308	S *	11/2009	Takano	.....	D14/486
D681,649	S *	5/2013	Fletcher	.....	D14/485
D686,244	S *	7/2013	Moriya	.....	D14/489
D690,720	S *	10/2013	Waldman	.....	D14/485
D719,180	S *	12/2014	Liang	.....	D14/486
D730,917	S *	6/2015	Lee	.....	D14/485
D739,422	S *	9/2015	Jeong	.....	D14/486
D744,494	S *	12/2015	Roberts	.....	D14/485
D753,678	S *	4/2016	Clarke	.....	D14/485
D754,713	S *	4/2016	Zhang	.....	D14/487
D754,714	S *	4/2016	Zhang	.....	D14/487
9,335,887	B2 *	5/2016	Kwak	.....	G06F 3/0482
D763,308	S *	8/2016	Wang	.....	D14/488

(Continued)

*Primary Examiner* — Cary M Robinson

(74) *Attorney, Agent, or Firm* — Hodgson Russ LLP

(57) **CLAIM**

The ornamental design for a display screen or portion thereof with a graphical user interface, as shown and described.

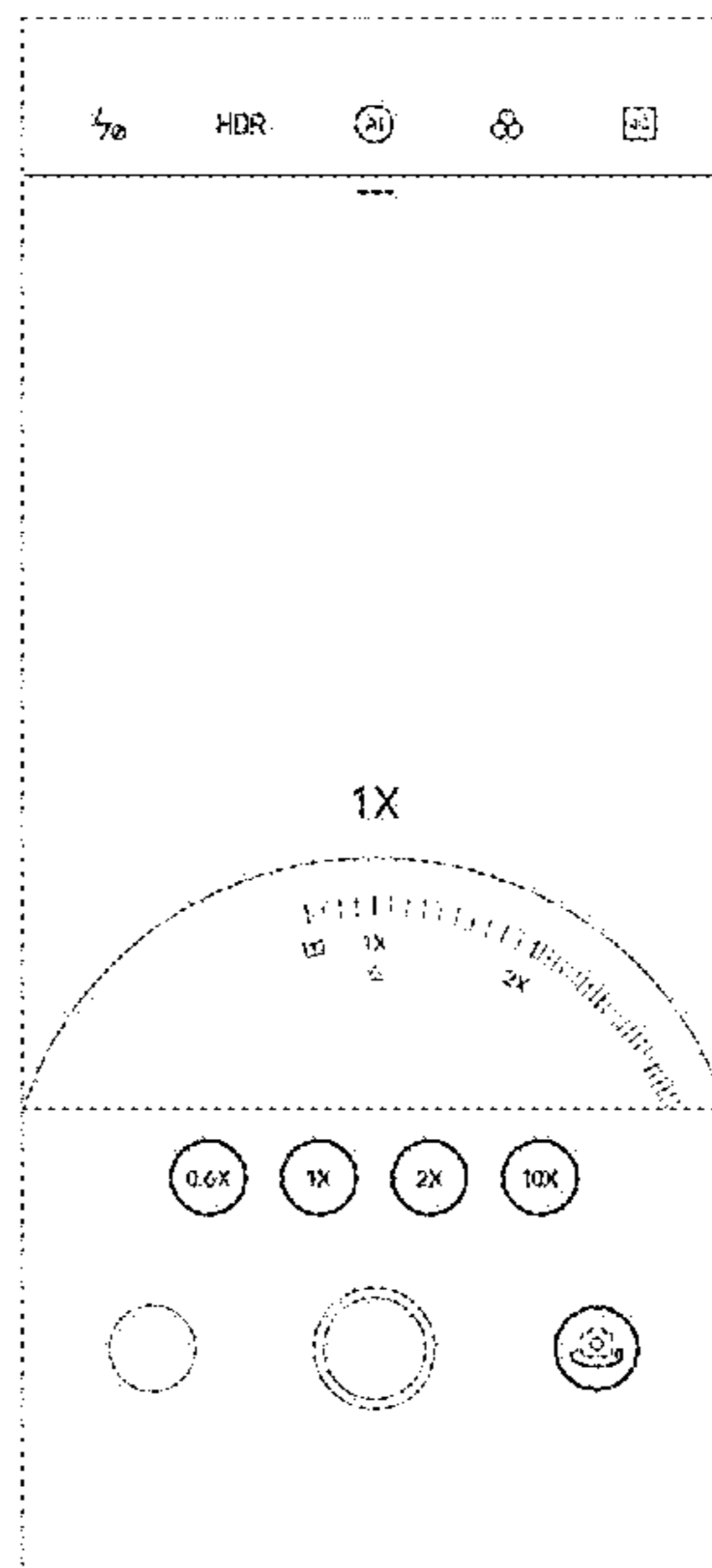
**DESCRIPTION**

FIG. 1 is a front view of a first embodiment of a display screen or portion thereof with a graphical user interface showing our new design;

FIG. 2 is a front view of a second embodiment thereof; FIG. 3 is a front view of a third embodiment thereof; and, FIG. 4 is a front view of a fourth embodiment thereof.

The outer broken lines in the figures indicate a boundary of the display screen or portion thereof, and form no part of the claimed design.

**1 Claim, 4 Drawing Sheets**



(56)

**References Cited**

U.S. PATENT DOCUMENTS

D768,652	S *	10/2016	Yang	.....	D14/485
D769,927	S *	10/2016	Kim	.....	D14/487
D775,658	S *	1/2017	Luo	.....	D14/488
D777,200	S *	1/2017	Luo	.....	D14/488
D788,130	S *	5/2017	Torchin	.....	D14/485
D791,160	S *	7/2017	Jang	.....	D14/486
D804,525	S *	12/2017	Clarke	.....	D14/489
D808,988	S *	1/2018	Ayvazian	.....	D14/485
D823,858	S *	7/2018	Li	.....	D14/485
D829,225	S *	9/2018	Gandhi	.....	D14/486
D838,740	S *	1/2019	Tijerina	.....	D14/488
D871,431	S *	12/2019	Cullum	.....	D14/486
D873,292	S *	1/2020	Kikkawa	.....	D14/487
D889,490	S *	7/2020	Meis	.....	D14/486
D913,315	S *	3/2021	Dye	.....	D14/487
D916,134	S *	4/2021	Dye	.....	D14/492
D930,661	S *	9/2021	Broughton	.....	D14/485
2015/0195379	A1 *	7/2015	Zhang	.....	G06F 16/9577 709/219
2015/0248534	A1 *	9/2015	Krzywicki	.....	G06F 3/0482 715/771

\* cited by examiner

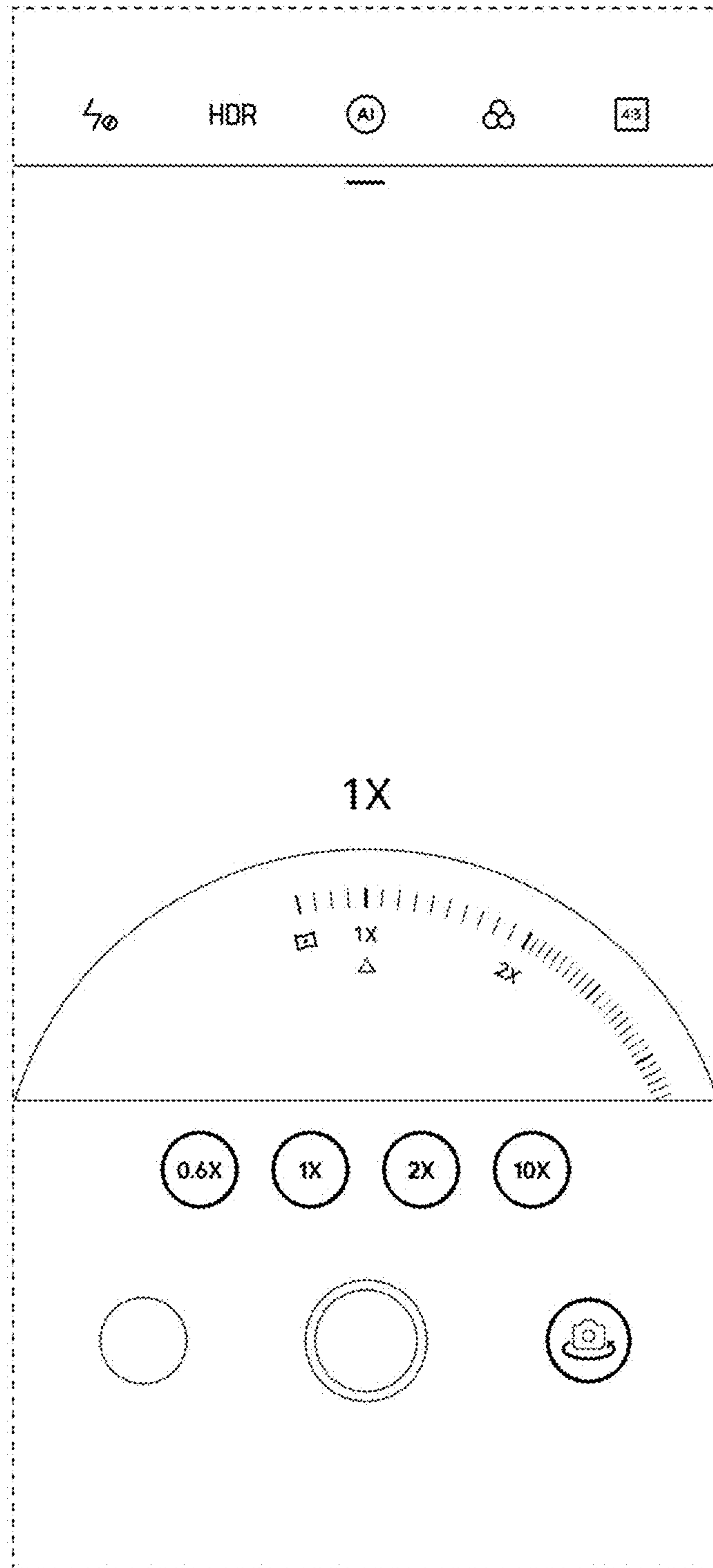


FIG. 1

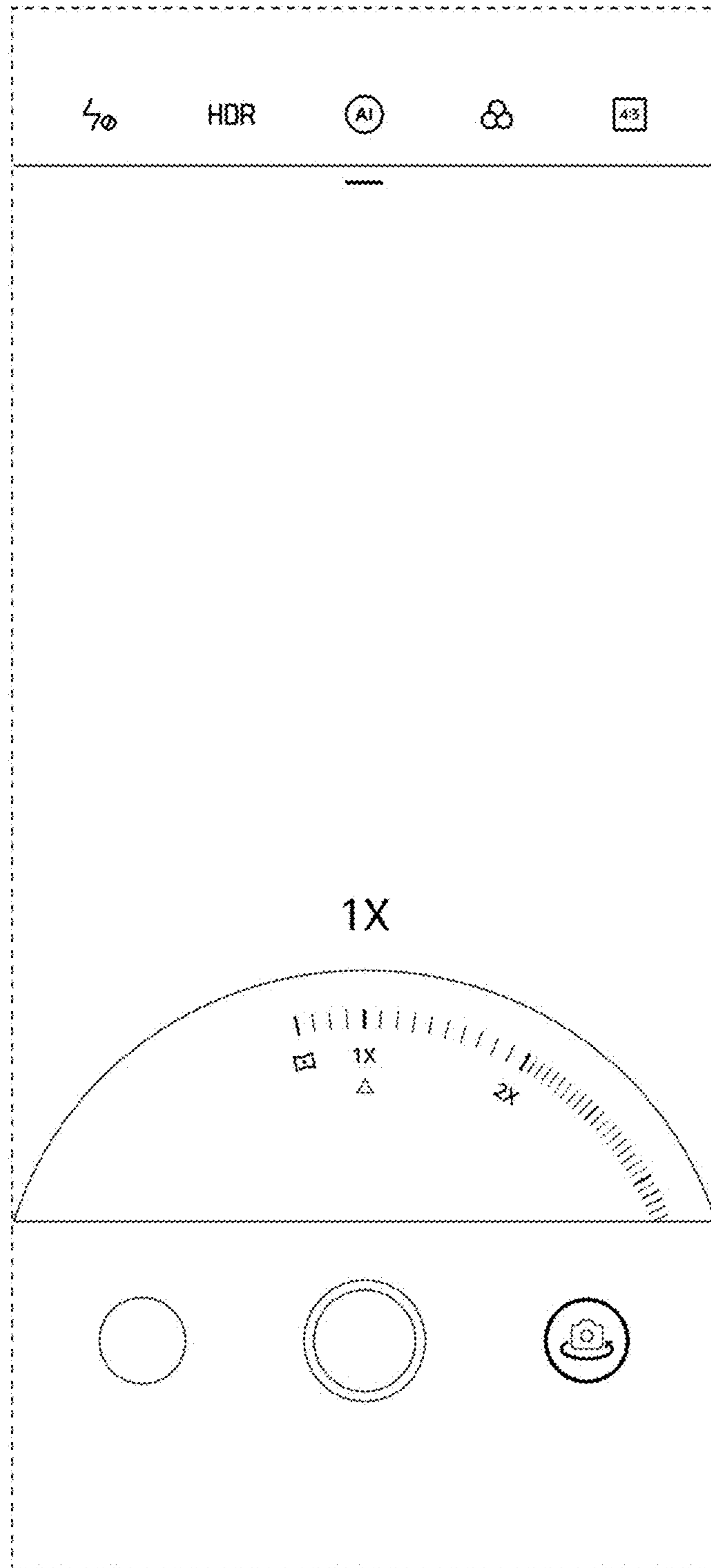


FIG. 2

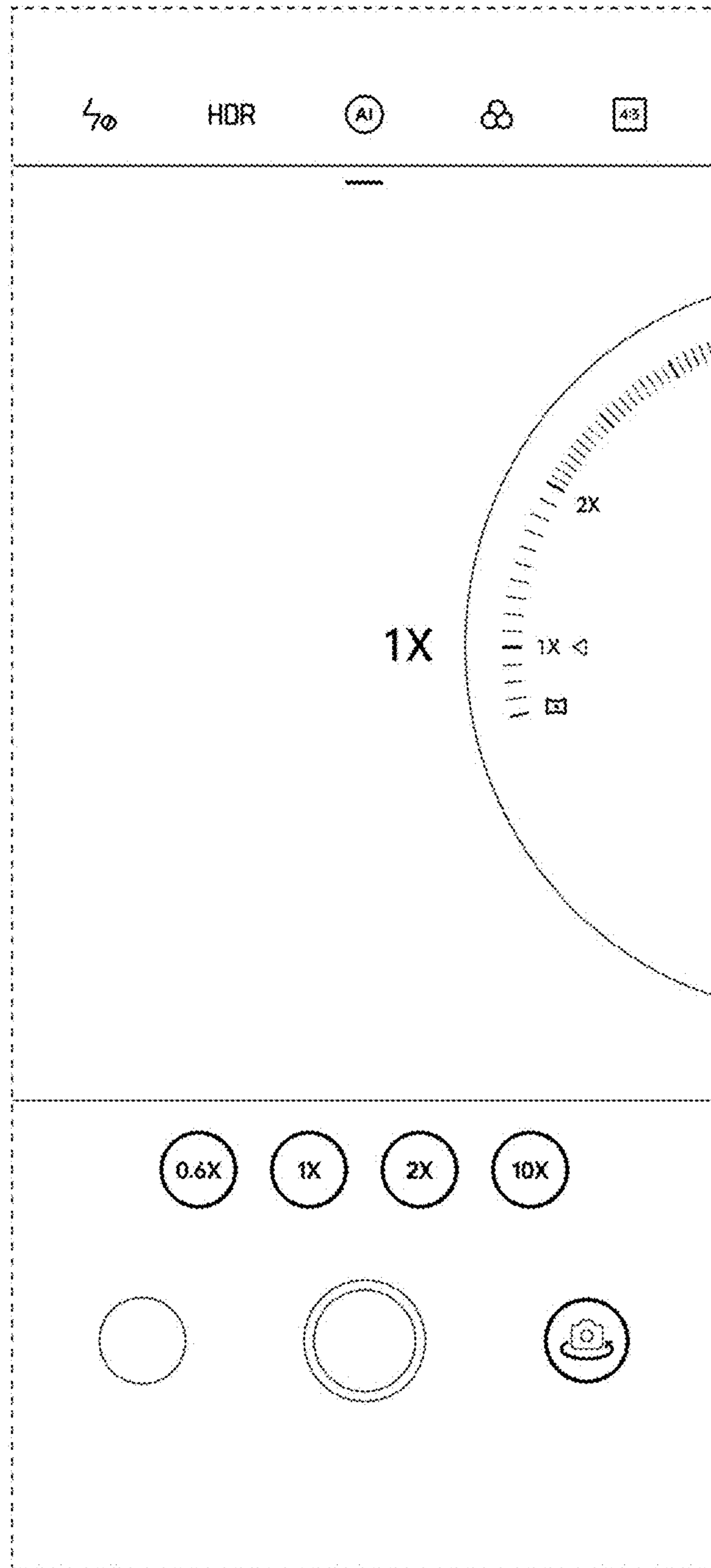


FIG. 3

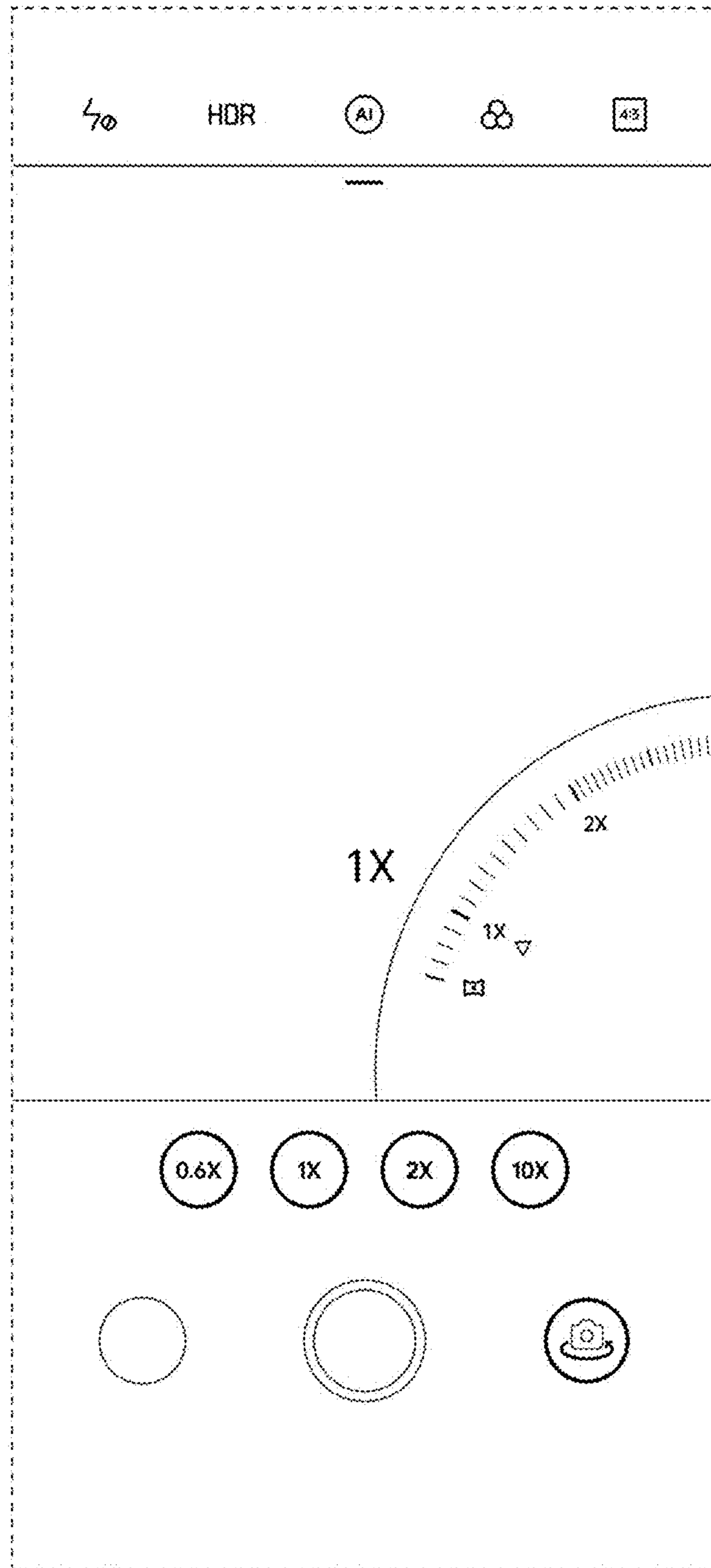


FIG. 4