



US00D938477S

(12) **United States Design Patent**
Sun

(10) **Patent No.:** **US D938,477 S**
(45) **Date of Patent:** **** Dec. 14, 2021**

(54) **DISPLAY SCREEN OR PORTION THEREOF WITH ANIMATED GRAPHICAL USER INTERFACE**

(71) Applicant: **BEIJING XIAOMI MOBILE SOFTWARE CO., LTD.**, Beijing (CN)

(72) Inventor: **Changyu Sun**, Beijing (CN)

(73) Assignee: **BEIJING XIAOMI MOBILE SOFTWARE CO., LTD.**, Beijing (CN)

(**) Term: **15 Years**

(21) Appl. No.: **29/784,906**

(22) Filed: **May 21, 2021**

Related U.S. Application Data

(62) Division of application No. 35/509,037, filed on Jan. 20, 2020 (U.S. filing date under 35 U.S.C. 384), and having an international filing date of Jan. 20, 2020, now Pat. No. Des. 923,652.

(30) **Foreign Application Priority Data**

Aug. 23, 2019 (CN) 201930462759.5

(51) **LOC (13) Cl.** **14-04**

(52) **U.S. Cl.**
USPC **D14/486**

(58) **Field of Classification Search**
USPC D14/485-488
CPC G06F 3/16; G06F 3/165; G06F 3/04847;
G06F 3/0481; G06F 1/1692; H04M
17/2558; G06Q 10/063114; G11B 27/34;
H04N 1/00477

See application file for complete search history.

(56) **References Cited**

U.S. PATENT DOCUMENTS

6,058,277 A 5/2000 Streefkerk
D624,557 S 9/2010 Allen
D630,643 S 1/2011 Wilson
D644,654 S * 9/2011 Maitlen D14/488

(Continued)

OTHER PUBLICATIONS

Baciuska, Mantas, Liquid Preloader, posted at dribbble, posting date Mar. 26, 2018. Site visited Aug. 14, 2021. URL: <https://dribbble.com/shots/4388983-Liquid-Preloader> (Year: 2018).*

(Continued)

Primary Examiner — Kathleen L Jones

(74) *Attorney, Agent, or Firm* — Syncoda LLC; Feng Ma

(57) **CLAIM**

The ornamental design for a display screen or portion thereof with animated graphical user interface, as shown and described.

DESCRIPTION

FIG. 1 is a front view of a first image in a sequence of a display screen or portion thereof with animated graphical user interface shown within a broken line environment of a mobile phone forming no part of the claimed design; FIG. 2 is a front view of a second image thereof; and, FIG. 3 is a front view of a third image thereof.

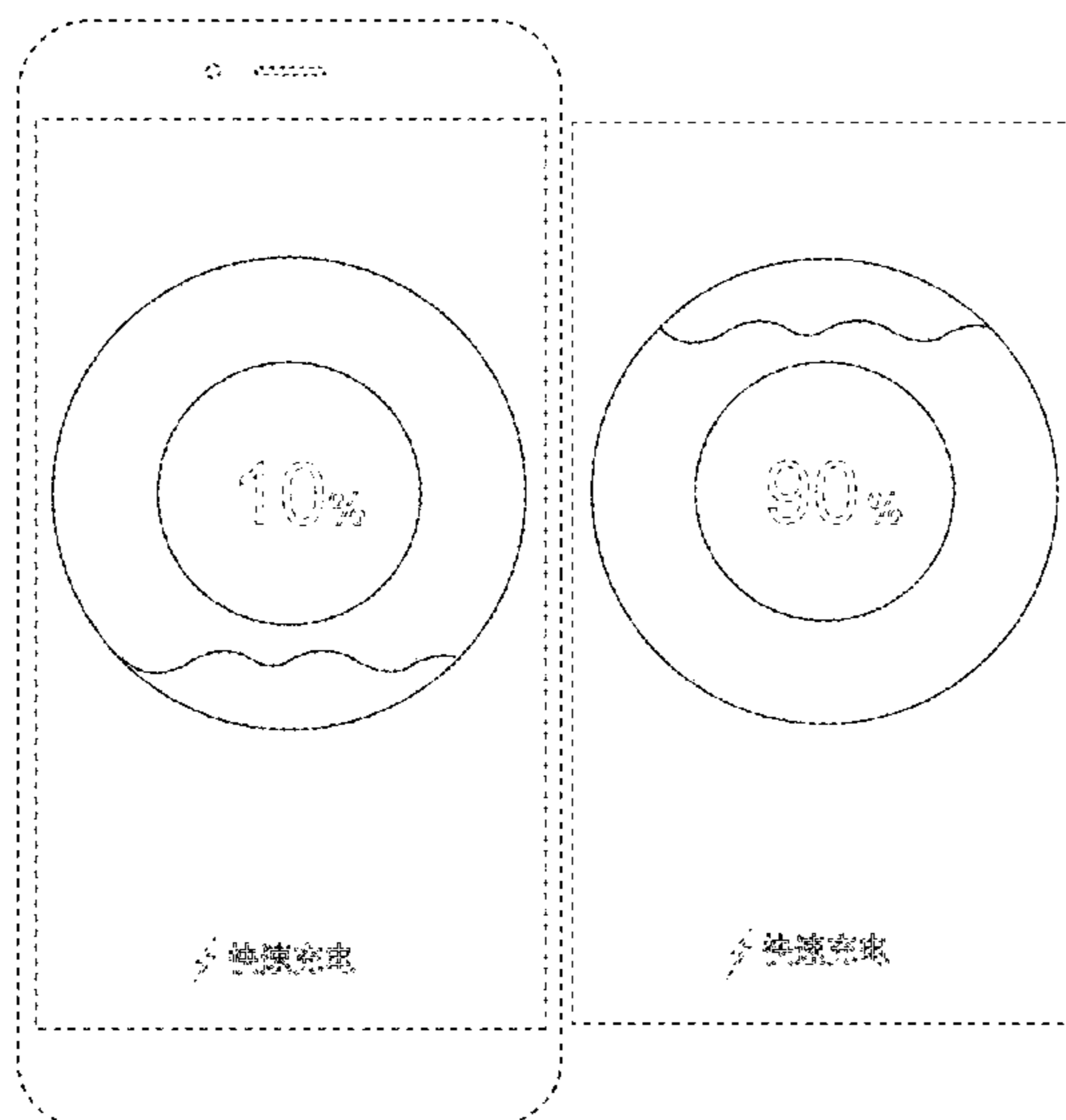
The appearance of the transitional image sequentially transitions between the images shown in FIGS. 1-3.

The process or period in which one image transitions to another forms no part of the claimed design.

The broken lines showing an electronic device and a display screen or a portion thereof are for the purpose of illustrating environment and form no part of the claimed design.

The broken lines showing portions of the animated graphical user interface, including all numerals, symbols and text characters, are for the purpose of illustrating environment and form no part of the claimed design.

1 Claim, 3 Drawing Sheets



(56)

References Cited

U.S. PATENT DOCUMENTS

D654,928 S * 2/2012 Morrow D14/492
 D654,929 S * 2/2012 Morrow D14/492
 D665,420 S * 8/2012 Morrow D14/492
 D665,421 S * 8/2012 Morrow D14/492
 D705,793 S * 5/2014 Lee D14/486
 D712,917 S * 9/2014 Lee D14/486
 D744,500 S * 12/2015 Lee D14/485
 D750,642 S 3/2016 Lee
 D757,746 S 5/2016 Lee
 D757,817 S 5/2016 Pan
 D759,680 S * 6/2016 Behar D14/485
 D761,840 S 7/2016 Patterson et al.
 D764,500 S 8/2016 Wang
 D773,527 S * 12/2016 Butcher D14/488
 D774,044 S 12/2016 Ouilhet
 D776,682 S * 1/2017 Kim D14/485
 D779,550 S 2/2017 Yang et al.
 D786,269 S 5/2017 Lin et al.
 D788,807 S * 6/2017 Broughton D14/486
 D791,165 S 7/2017 Modestine et al.
 D795,898 S 8/2017 Li et al.
 D798,886 S 10/2017 Prophete et al.
 D799,503 S 10/2017 Kim et al.
 D800,737 S 10/2017 Wang
 D806,747 S 1/2018 Kalanick et al.
 D807,384 S 1/2018 Quattrocchi et al.
 D808,985 S * 1/2018 Kim D14/485
 D811,418 S * 2/2018 Sun D14/485
 D812,078 S 3/2018 Wang et al.
 D818,489 S 5/2018 Lider
 D823,320 S 7/2018 Peeters et al.
 D831,692 S * 10/2018 Hong D14/486
 D831,693 S * 10/2018 Hong D14/486
 D835,143 S 12/2018 Kim et al.
 D836,671 S 12/2018 Guzman et al.
 D838,729 S 1/2019 Guerrieri
 D840,415 S * 2/2019 Yoon D14/485
 D842,332 S 3/2019 Patterson et al.
 D844,013 S 3/2019 Peeters et al.
 D847,156 S * 4/2019 Bae D14/485
 D847,198 S * 4/2019 Taylor D14/488
 D847,844 S * 5/2019 Li D14/486
 D848,473 S * 5/2019 Zhu D14/488
 D851,098 S * 6/2019 Uppala D14/485
 D851,105 S * 6/2019 Uppala D14/485
 D852,209 S * 6/2019 Wei D14/486
 D854,577 S 7/2019 Ko et al.
 D857,034 S 8/2019 Hung et al.
 D860,222 S * 9/2019 Cen D14/485
 D871,435 S 12/2019 Tseng
 D877,193 S * 3/2020 Li D14/488
 D878,397 S 3/2020 Gratzki
 D879,118 S * 3/2020 Chen D14/485
 D881,904 S 4/2020 Angeles et al.
 D882,615 S 4/2020 Dye et al.
 10,620,590 B1 4/2020 Guzman et al.
 D884,005 S 5/2020 Milnark et al.
 D884,006 S 5/2020 Milnark et al.
 D884,011 S * 5/2020 Krenkler D14/486
 D885,411 S 5/2020 Ko et al.
 D886,149 S 6/2020 Pazmino et al.
 D888,731 S 6/2020 Momchilov et al.
 D890,188 S * 7/2020 Anno D14/485
 D891,464 S 7/2020 Zurmoehle et al.
 D892,162 S 8/2020 Pascoli et al.
 D893,514 S * 8/2020 Stapleton D14/485
 D895,646 S * 9/2020 Sanborn D14/485

D896,246 S 9/2020 Chesworth et al.
 D899,437 S * 10/2020 Carbonell D14/485
 D905,705 S * 12/2020 Zurmoehle D14/485
 10,874,541 B2 * 12/2020 Seres A61F 5/445
 D907,660 S 1/2021 Lee et al.
 D910,669 S * 2/2021 Lin D14/485
 D915,459 S * 4/2021 Chipley D14/489
 D916,780 S * 4/2021 Lamb G06F 21/62
 D14/486
 D916,918 S * 4/2021 Elia D14/492
 D926,227 S * 7/2021 Dautova D14/492
 11,086,470 B2 * 8/2021 Suh C12C 13/10
 2011/0059775 A1 * 3/2011 Choi G06F 3/0488
 455/566
 2014/0143678 A1 5/2014 Mistry et al.
 2014/0359511 A1 12/2014 Singleton
 2015/0235387 A1 * 8/2015 Du G06F 21/36
 345/594
 2015/0248235 A1 * 9/2015 Offenberg G06F 3/0237
 715/773
 2015/0356160 A1 12/2015 Berwick et al.
 2016/0350503 A1 12/2016 Jun et al.
 2016/0357356 A1 12/2016 Migos et al.
 2018/0042559 A1 * 2/2018 Cabrera, Jr. G06F 3/0488
 2018/0129360 A1 * 5/2018 Suh H04M 1/72412
 2018/0314403 A1 * 11/2018 Kukita G06F 3/0486
 2019/0041075 A1 * 2/2019 Sarkar G06F 3/0481
 2019/0336101 A1 11/2019 Chiang et al.

OTHER PUBLICATIONS

Patel, Bhavik, Wave Loading Animation, posted at dribbble, posting date Oct. 26, 2018. Site visited Aug. 14, 2021. URL: <<https://dribbble.com/shots/5455652-Wave-Loading-Animation>> (Year: 2018).*

Delecour, Lucie, Loader Umame, posted at dribbble, posting date Dec. 5, 2017. Site visited Aug. 14, 2021. URL: <<https://dribbble.com/shots/3996856-Loader-Umame>> (Year: 2017).*

Panchani, Ashvin, Liquid Loader Animation, posted at dribbble, posting date Oct. 29, 2018. Site visited Aug. 14, 2021. URL: <<https://dribbble.com/shots/5467161-Liquid-Loader-Animation>> (Year: 2018).*

Chatziliadis, Dimitris, Abstract Hourglass Loader, posted at dribbble, posting date Mar. 29, 2018. Site visited Aug. 14, 2021. URL: <<https://dribbble.com/shots/4408082-Abstract-Hourglass-Loader>> (Year: 2018).*

Klaushuang, Artificial Intelligence design, posted at dribbble, posting date Oct. 23, 2018. Site visited Aug. 14, 2021. URL: <<https://dribbble.com/shots/5436457-Artificial-Intelligence-design>> (Year: 2018).*

Video, Fan Blades 1576, posted at videvo, posting date Jul. 4, 2017. Site visited Feb. 13, 2021. URL: <<https://www.videvo.net/video/fan-blades-1576/823/>> (Year: 2017).

Ortyl, Karol, Aria Drones, posted at dribbble, posting date Aug. 22, 2016. Site visited Feb. 13, 2021. URL: <<https://dribbble.com/shots/2914069-Aria-Drones-Branding>> (Year: 2016).

Gyamfi, Amos, Rotating Triangular Replicator Instances, posted at dribbble, posting date Nov. 21, 2018. Site visited Feb. 13, 2021. URL: <<https://dribbble.com/shots/5584327-Rotating-Triangular-Replicator-Instances>> (Year: 2018).

Ilic, Ili, Robo Ring Logo Reveal, posted at dribbble, posting date Jul. 19, 2018. Site visited Feb. 13, 2021. URL: <<https://dribbble.com/shots/4846043-Robo-Ring-Logo-Reveal>> (Year: 2018).

Notice of Allowance of the U.S. Appl. No. 35/509,037, dated Mar. 3, 2021.

* cited by examiner

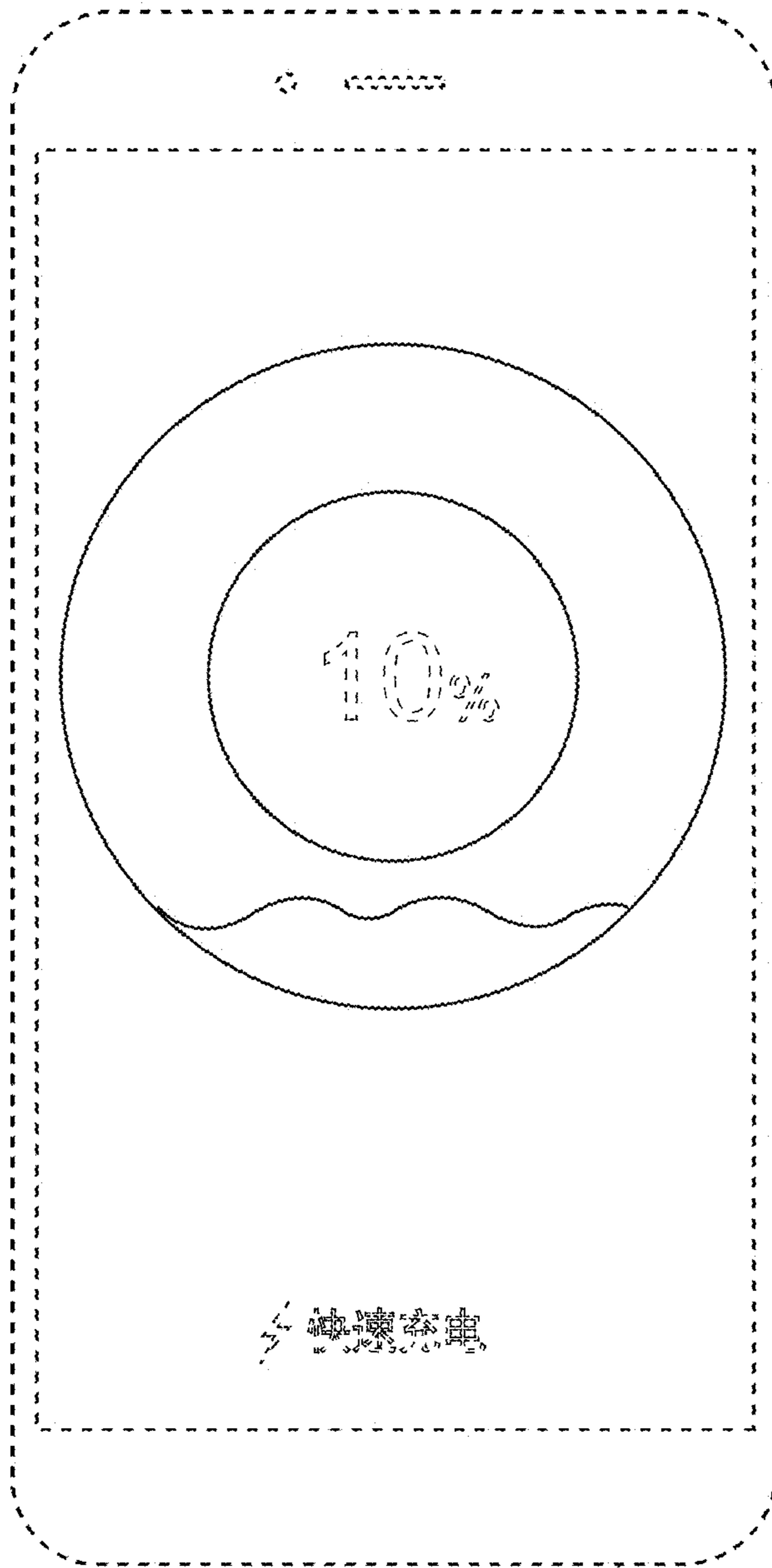


FIG. 1

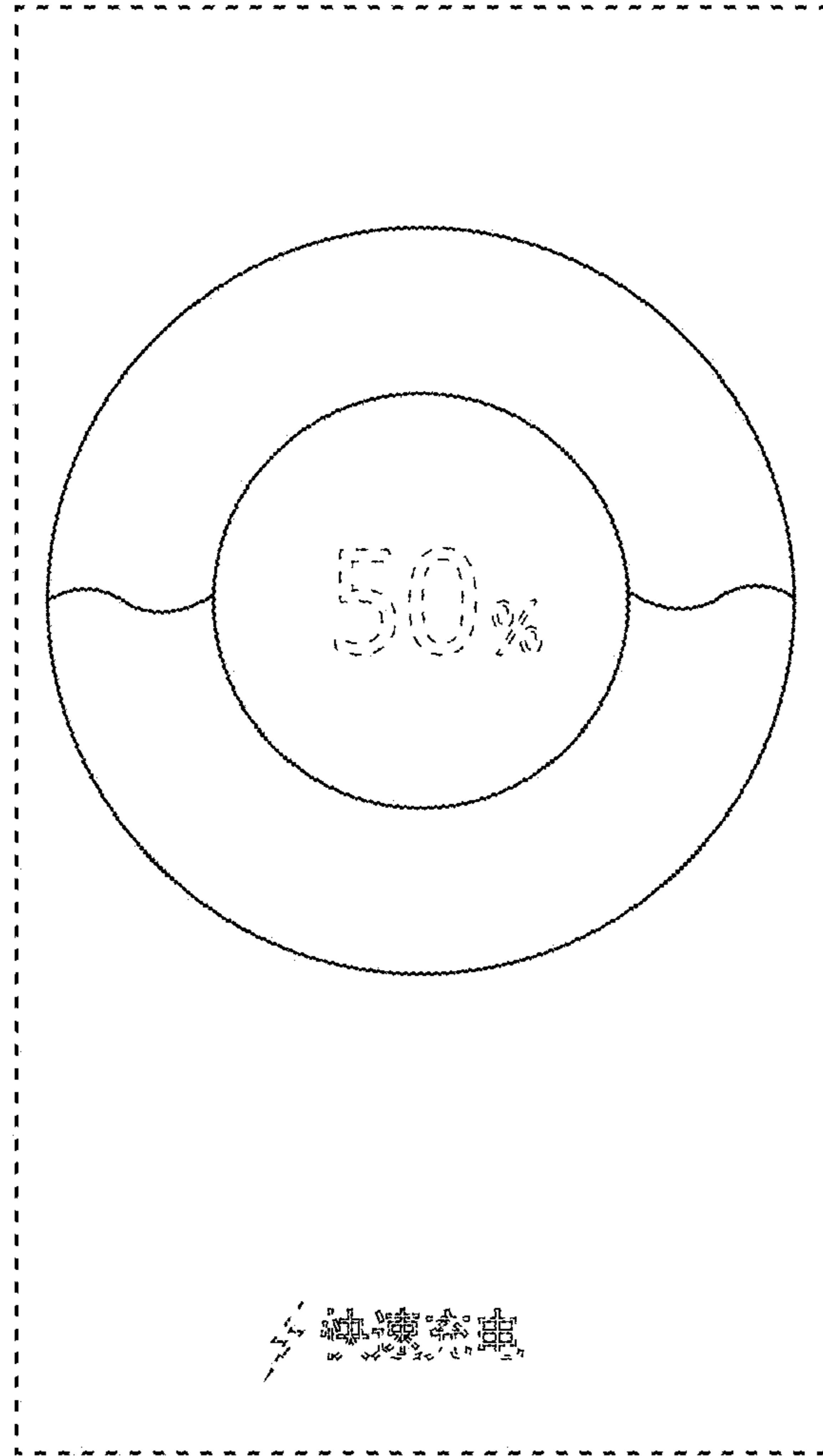


FIG. 2

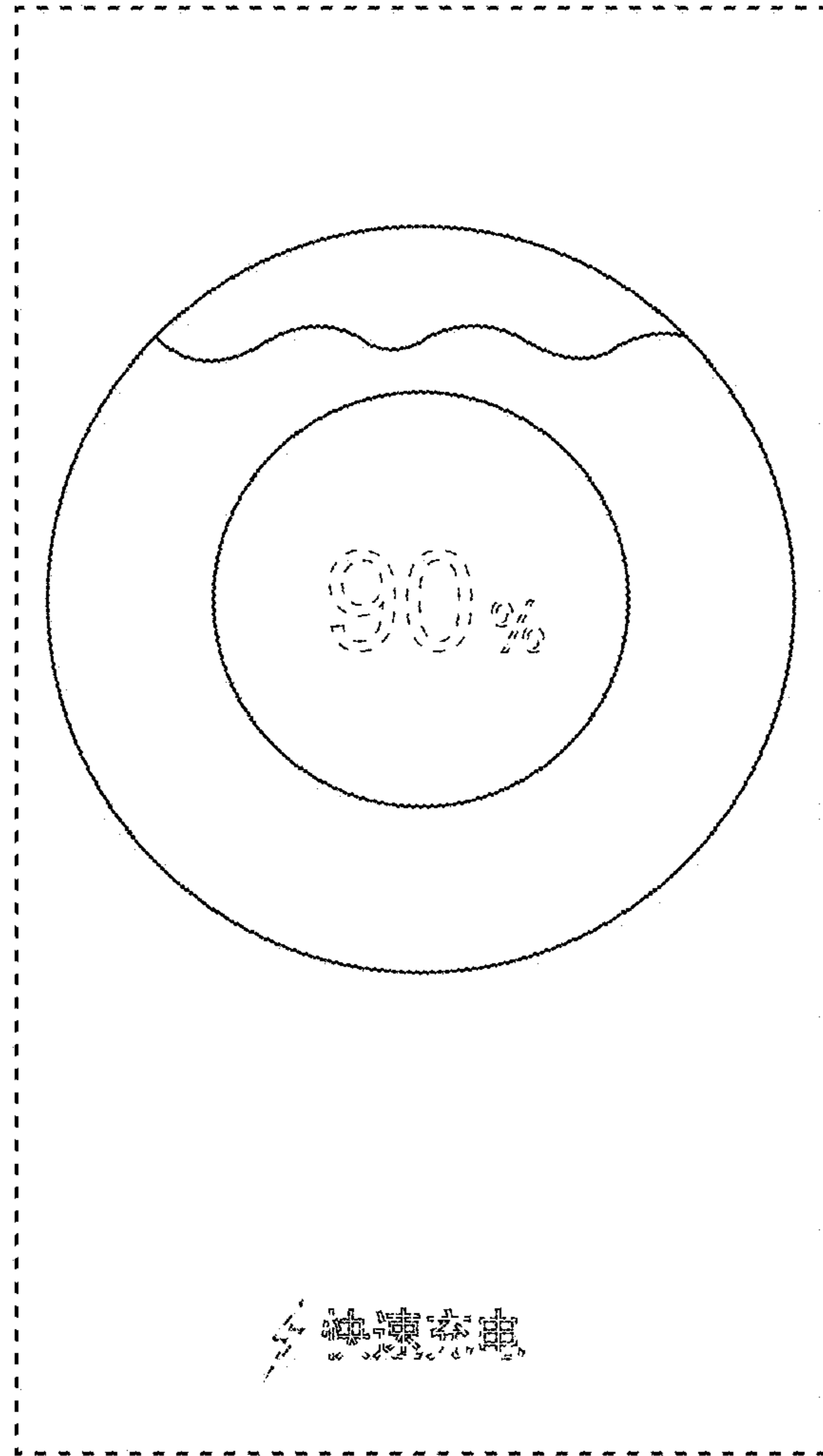


FIG. 3