

US00D938443S

(12) **United States Design Patent**
Meaney et al.

(10) **Patent No.:** **US D938,443 S**

(45) **Date of Patent:** **** Dec. 14, 2021**

(54) **DISPLAY PANEL OR PORTION THEREOF WITH GRAPHICAL USER INTERFACE**

(71) Applicant: **MAGIC LEAP, INC.**, Plantation, FL (US)

(72) Inventors: **Brian Everett Meaney**, Parkland, FL (US); **Marc Coleman Shelton**, Fort Lauderdale, FL (US); **Megan Ann Geiman**, Fort Lauderdale, FL (US); **John A. Gotcher**, Prosper, TX (US); **Matthew Schon Bogue**, McKinney, TX (US); **Shivakumar Balasubramanyam**, San Diego, CA (US); **Jeffrey Edward Ruediger**, McKinney, TX (US)

(73) Assignee: **Magic Leap, Inc.**, Plantation, FL (US)

(**) Term: **15 Years**

(21) Appl. No.: **29/733,537**

(22) Filed: **May 4, 2020**

Related U.S. Application Data

(62) Division of application No. 29/646,113, filed on May 1, 2018, now Pat. No. Des. 886,836.

(51) **LOC (13) Cl.** **14-04**

(52) **U.S. Cl.**
USPC **D14/485**

(58) **Field of Classification Search**
USPC D14/485-495
CPC G06F 3/048; G06F 3/0481; G06T 17/00; G06T 2200/24; G06T 19/20; H04N 21/478
See application file for complete search history.

(56) **References Cited**

U.S. PATENT DOCUMENTS

D563,968 S 3/2008 Lewin et al.
D600,249 S 9/2009 Nagata et al.
D609,715 S 2/2010 Chaudhri

D613,300 S 4/2010 Chaudhri
D619,146 S 7/2010 Flik et al.
D624,932 S 10/2010 Chaudhri
D637,606 S 5/2011 Luke et al.
D651,608 S * 1/2012 Allen D14/485
8,271,898 B1 * 9/2012 Mattos G06F 3/0482
715/784
D669,883 S * 10/2012 Cheng D14/214
D669,884 S * 10/2012 Hou D14/214
D675,638 S * 2/2013 Woo D14/487
D678,270 S * 3/2013 Song D14/341
D682,842 S * 5/2013 Kurata D14/485

(Continued)

OTHER PUBLICATIONS

Non-Final Office Action for U.S. Appl. No. 29/646,113 dated May 3, 2029.

(Continued)

Primary Examiner — Daniel J Domino

(74) *Attorney, Agent, or Firm* — Vista IP Law Group LLP

(57) **CLAIM**

The ornamental design for a display panel or portion thereof with graphical user interface, as shown and described.

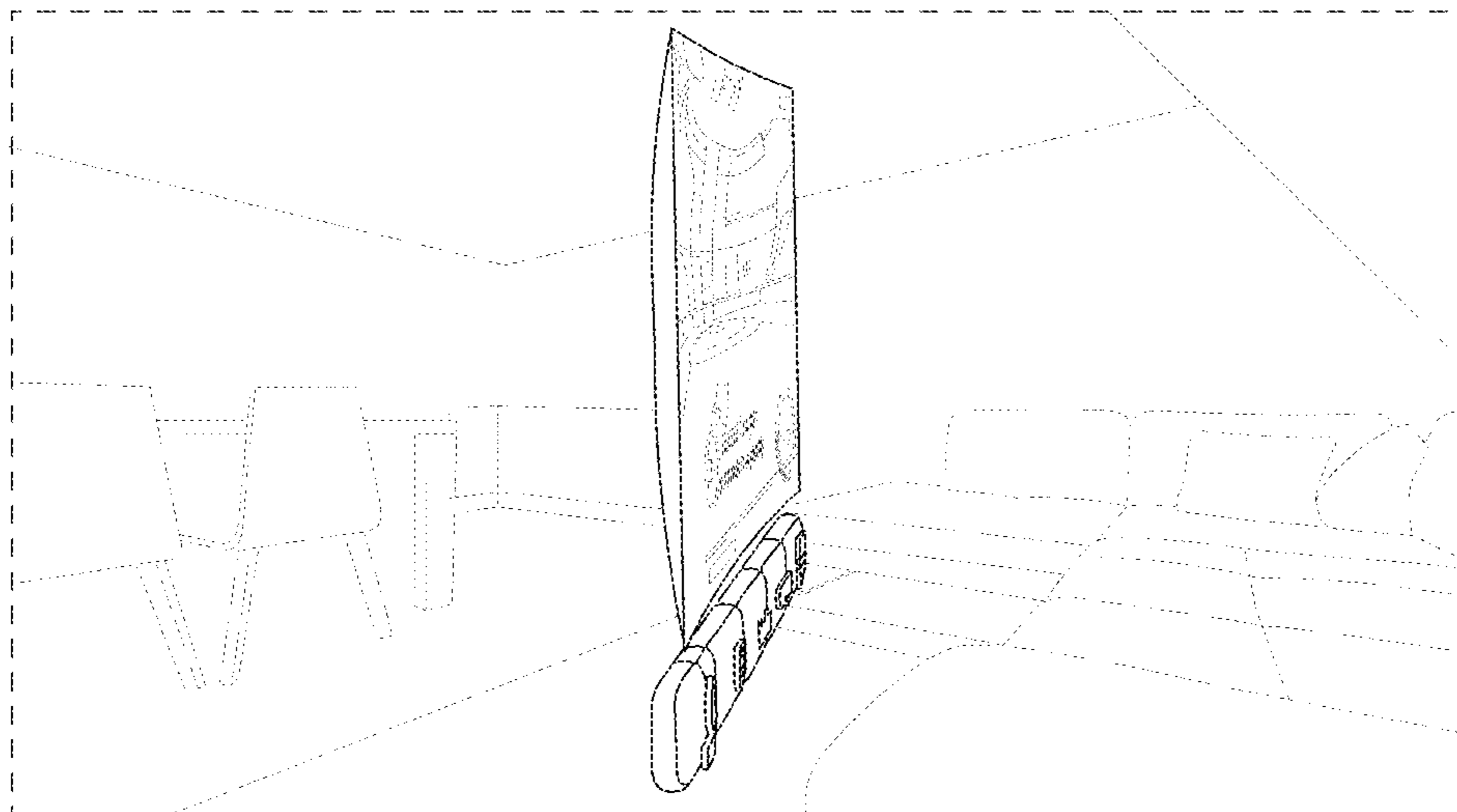
DESCRIPTION

This application is related to U.S. Utility patent application Ser. No. 15/968,673, filed on May 1, 2018, and entitled "Matching Content to a Spatial 3D Environment." The contents of the aforementioned patent applications are hereby expressly and fully incorporated by reference in their entirety, as though set forth in full.

The sole FIGURE is a front view of a display panel or portion thereof with a graphical user interface showing our design.

The outermost broken line rectangle illustrates a display panel or portion thereof that forms no part of the claimed design. The remaining broken lines, including all text, illustrate portions of the graphical user interface or mixed reality environment and form no part of the design.

1 Claim, 1 Drawing Sheet



(56)

References Cited

U.S. PATENT DOCUMENTS

| | | | |
|-----------------|---------|-----------------|--------------------------|
| D695,755 S | 12/2013 | Hwang et al. | |
| D697,079 S | 1/2014 | Yuk et al. | |
| D697,933 S | 1/2014 | Lee et al. | |
| D697,936 S | 1/2014 | Lee et al. | |
| D698,816 S | 2/2014 | Phelan et al. | |
| D701,236 S * | 3/2014 | Hatta | D14/486 |
| D701,527 S * | 3/2014 | Brinda | D14/488 |
| D701,528 S * | 3/2014 | Brinda | D14/488 |
| D705,250 S * | 5/2014 | Khanna | D14/488 |
| D707,249 S * | 6/2014 | Yamada | D14/488 |
| D709,516 S * | 7/2014 | Nakada | D14/486 |
| D711,426 S * | 8/2014 | Hollobaugh | D14/490 |
| D715,769 S * | 10/2014 | McManigal | D14/214 |
| D716,338 S | 10/2014 | Lee | |
| D718,781 S * | 12/2014 | Arnold | D14/486 |
| D719,183 S | 12/2014 | Kuwahara | |
| D720,770 S * | 1/2015 | Lacour | D14/487 |
| D720,771 S * | 1/2015 | Lacour | D14/487 |
| D721,721 S * | 1/2015 | Seung-Hyuck | D14/486 |
| D721,722 S | 1/2015 | Lee | |
| D722,321 S | 2/2015 | Lee et al. | |
| D722,609 S * | 2/2015 | Lee | D14/486 |
| D724,100 S * | 3/2015 | Williams | D14/487 |
| D724,615 S * | 3/2015 | Brinda | D14/486 |
| D729,269 S * | 5/2015 | Trusz | D14/486 |
| D730,382 S * | 5/2015 | Brinda | D14/488 |
| D730,383 S * | 5/2015 | Brinda | D14/488 |
| D733,043 S * | 6/2015 | Hasbrook | D13/103 |
| D733,162 S | 6/2015 | Aoshima | |
| D736,244 S | 8/2015 | Kang | |
| D738,395 S * | 9/2015 | Barcheck | D14/486 |
| D738,906 S * | 9/2015 | Frijlink | D14/488 |
| D739,871 S * | 9/2015 | Arriola | D14/488 |
| D742,901 S | 11/2015 | Choi et al. | |
| D743,980 S * | 11/2015 | Moriya | D14/486 |
| D745,028 S | 12/2015 | Hwang et al. | |
| D746,834 S * | 1/2016 | Gray | D14/485 |
| D749,098 S | 2/2016 | Moon et al. | |
| D749,099 S | 2/2016 | Moon et al. | |
| D749,605 S | 2/2016 | Choi et al. | |
| D751,095 S * | 3/2016 | Moon | D14/486 |
| D752,104 S * | 3/2016 | Lee | G06F 3/04817 D14/494 |
| D752,634 S | 3/2016 | Yoon et al. | |
| D752,636 S * | 3/2016 | Yoon | D14/488 |
| D753,702 S * | 4/2016 | Zhou | D14/488 |
| D754,148 S | 4/2016 | Yoon et al. | |
| D754,153 S * | 4/2016 | Moon | D14/485 |
| D754,155 S * | 4/2016 | Moon | D14/485 |
| D754,156 S * | 4/2016 | Moon | D14/485 |
| D754,158 S * | 4/2016 | Moon | D14/485 |
| D755,815 S | 5/2016 | Seo et al. | |
| D756,385 S | 5/2016 | Kim et al. | |
| D757,782 S * | 5/2016 | Moriya | D14/486 |
| D757,785 S * | 5/2016 | Yang | D14/488 |
| D758,421 S * | 6/2016 | Liu | D14/488 |
| D758,424 S | 6/2016 | Ding et al. | |
| D761,284 S | 7/2016 | Nguyen et al. | |
| D761,285 S | 7/2016 | Kim et al. | |
| D761,302 S | 7/2016 | Rodriguez | |
| D761,802 S * | 7/2016 | Moon | D14/485 |
| D762,708 S * | 8/2016 | Lee | D14/488 |
| D763,849 S * | 8/2016 | Choo | D14/341 |
| D763,905 S * | 8/2016 | Patel | D14/488 |
| D764,487 S * | 8/2016 | Chaudhri | D14/485 |
| D765,711 S * | 9/2016 | Henderson | D14/486 |
| D766,927 S * | 9/2016 | Li | D14/485 |
| D768,163 S * | 10/2016 | Holl | D14/486 |
| D776,050 S * | 1/2017 | Awad | D13/102 |
| D777,185 S * | 1/2017 | Kwak | D14/486 |
| D777,782 S * | 1/2017 | Appel | D14/490 |
| D780,782 S * | 3/2017 | Minks-Brown | D14/486 |
| D781,873 S * | 3/2017 | Wu | D14/485 |
| D783,670 S | 4/2017 | Gomez et al. | |
| D784,369 S * | 4/2017 | Kuhn | D14/485 |
| D784,370 S * | 4/2017 | Kuhn | D14/485 |
| D785,013 S * | 4/2017 | Kuhn | D14/485 |
| D786,289 S | 5/2017 | Kim et al. | |
| D790,595 S * | 6/2017 | Forsblom | D14/492 |
| D791,736 S * | 7/2017 | Schoolmeister | D14/214 |
| D794,663 S * | 8/2017 | Sakuma | D14/486 |
| D796,539 S * | 9/2017 | Sakuma | D14/487 |
| D797,767 S * | 9/2017 | Esselstrom | D14/485 |
| D799,513 S * | 10/2017 | Ferrell | D14/486 |
| D800,738 S * | 10/2017 | Xu | D14/485 |
| D806,111 S * | 12/2017 | Wu | D14/486 |
| D808,397 S * | 1/2018 | Beaty | D14/485 |
| D813,885 S | 3/2018 | Soh | |
| D819,685 S * | 6/2018 | Lee | D14/488 |
| D821,412 S * | 6/2018 | Diamant | D14/485 |
| D826,216 S * | 8/2018 | Schoolmeister | D14/214 |
| D826,965 S | 8/2018 | Smith et al. | |
| D829,165 S * | 9/2018 | Moomaw | D13/103 |
| D830,378 S | 10/2018 | Li et al. | |
| D830,984 S * | 10/2018 | Kim | D14/126 |
| D835,058 S * | 12/2018 | Kim | D14/126 |
| D835,059 S * | 12/2018 | Kim | D14/126 |
| D835,605 S * | 12/2018 | Schoolmeister | D14/214 |
| D837,256 S | 1/2019 | Arriola et al. | |
| D841,609 S * | 2/2019 | Kim | D14/126 |
| D845,998 S * | 4/2019 | Capela | D14/492 |
| D846,580 S * | 4/2019 | Matas | D14/486 |
| D848,970 S * | 5/2019 | Lim | D14/126 |
| D852,813 S * | 7/2019 | Rudduck | D14/485 |
| D853,435 S * | 7/2019 | Omernick | D14/488 |
| D855,067 S * | 7/2019 | Campbell | D14/486 |
| D857,737 S * | 8/2019 | Chaudhri | D14/488 |
| D864,236 S * | 10/2019 | Henderson | D14/486 |
| D869,483 S * | 12/2019 | Wilde | D14/486 |
| D870,740 S * | 12/2019 | Nanavati | D14/485 |
| D871,421 S * | 12/2019 | Kim | D14/485 |
| D871,451 S * | 12/2019 | Fujiyama | D14/492 |
| D873,857 S * | 1/2020 | Dagley | D14/492 |
| D880,510 S | 4/2020 | Yu et al. | |
| D880,519 S * | 4/2020 | Wilde | D14/488 |
| D881,236 S * | 4/2020 | Dagley | D14/492 |
| D884,018 S * | 5/2020 | Agarawala | D14/488 |
| D884,663 S * | 5/2020 | Jang | D14/126 |
| D892,826 S * | 8/2020 | Kim | D14/485 |
| D900,766 S * | 11/2020 | Kim | D14/126 |
| D901,414 S * | 11/2020 | Park | D14/126 |
| D901,532 S | 11/2020 | Yu et al. | |
| D906,283 S * | 12/2020 | Schoolmeister | D14/214 |
| D911,300 S * | 2/2021 | Park | D14/126 |
| D913,296 S * | 3/2021 | Pilliod | D14/444 |
| D913,300 S * | 3/2021 | Matsuda | D14/485 |
| D916,131 S | 4/2021 | Crandall et al. | |
| D916,807 S * | 4/2021 | Lindberg | D14/486 |
| D916,808 S * | 4/2021 | Lindberg | D14/486 |
| D916,892 S * | 4/2021 | Huynh | D14/489 |
| D916,898 S * | 4/2021 | Inman | D14/489 |
| D916,911 S | 4/2021 | Damon | |
| D917,557 S * | 4/2021 | Cody | D14/489 |
| D918,219 S * | 5/2021 | Jones | D14/485 |
| D919,585 S * | 5/2021 | Shim | B64D 11/00154 D14/126 |
| D919,586 S * | 5/2021 | Lim | B64D 11/00154 D14/126 |
| D920,940 S * | 6/2021 | Lee | H04N 5/64 D14/126 |
| D920,989 S * | 6/2021 | Sakata | D14/485 |
| D922,427 S * | 6/2021 | Yu | D14/486 |
| D922,971 S * | 6/2021 | Lim | D14/126 |
| D922,972 S * | 6/2021 | Park | D14/126 |
| 2018/0315248 A1 | 11/2018 | Bastov et al. | |

OTHER PUBLICATIONS

Notice of Allowance for U.S. Appl. No. 29/646,113 dated Mar. 20, 2020.

Notice of Allowance for U.S. Appl. No. 29/731,823 dated Jul. 13, 2021.

(56)

References Cited

OTHER PUBLICATIONS

Notice of Allowance for U.S. Appl. No. 29/733,591 dated Jul. 15, 2021.

Notice of Allowance for U.S. Appl. No. 29/731,826 dated Sep. 21, 2021.

Notice of Allowance for U.S. Appl. No. 29/733,540 dated Sep. 22, 2021.

* cited by examiner

